



US00D922364S

(12) **United States Design Patent**
Shu

(10) **Patent No.:** **US D922,364 S**
(45) **Date of Patent:** **** Jun. 15, 2021**

(54) **DISPLAY MOUNT**

(71) Applicant: **SHENZHEN MENGXIANGYUAN FITNESS DEVELOPMENT CO., LTD.**, Shenzhen (CN)

(72) Inventor: **Hua Shu**, Shenzhen (CN)

(73) Assignee: **SHENZHEN MENGXIANGYUAN FITNESS DEVELOPMENT CO., LTD.**, Shenzhen (CN)

(**) Term: **15 Years**

(21) Appl. No.: **29/746,468**

(22) Filed: **Aug. 13, 2020**

(51) **LOC (13) Cl.** **14-03**

(52) **U.S. Cl.**
USPC **D14/239**

(58) **Field of Classification Search**
USPC D14/447-452, 239, 371, 372, 373, 374, D14/125, 127, 128, 129, 335-337, 375, D14/376, 377, 341, 126; D8/355, 363, D8/373; D6/672, 682
CPC F16M 11/2085; F16M 11/2092; F16M 11/2007; F16M 11/2014; F16M 11/2021; F16M 11/105; F16M 11/10; F16M 11/048; F16M 11/12; F16M 13/022
See application file for complete search history.

(56) **References Cited**

U.S. PATENT DOCUMENTS

D520,017 S *	5/2006	van Kuijk	D14/452
D534,789 S *	1/2007	Worrall	D8/363
D557,125 S *	12/2007	Worrall	D14/452
D560,470 S *	1/2008	Short	D8/354
D679,282 S *	4/2013	Liu	D14/452
D816,646 S *	5/2018	Pei	D14/239
D822,011 S *	7/2018	Namala	D14/239
D841,631 S *	2/2019	Pei	D14/239

D842,284 S *	3/2019	Pei	D14/239
D848,988 S *	5/2019	Pei	D14/239
D852,805 S *	7/2019	Lyu	D14/452
D871,380 S	12/2019	Fehr		
D872,067 S	1/2020	Knapp		

(Continued)

FOREIGN PATENT DOCUMENTS

CA	2512839	A1 *	7/2004	F16M 13/02
EM	000335872-0002	*	7/2005		

(Continued)

OTHER PUBLICATIONS

Amazon. Link: https://www.amazon.com/dp/B08B1QK2GJ/ref=cm_sw_em_r_mt_dp_DoVdGbGQP22EK. Jul. 16, 2020. HUANUO Monitor Wall Mount. (Year: 2020).*

(Continued)

Primary Examiner — Lauren D McVey

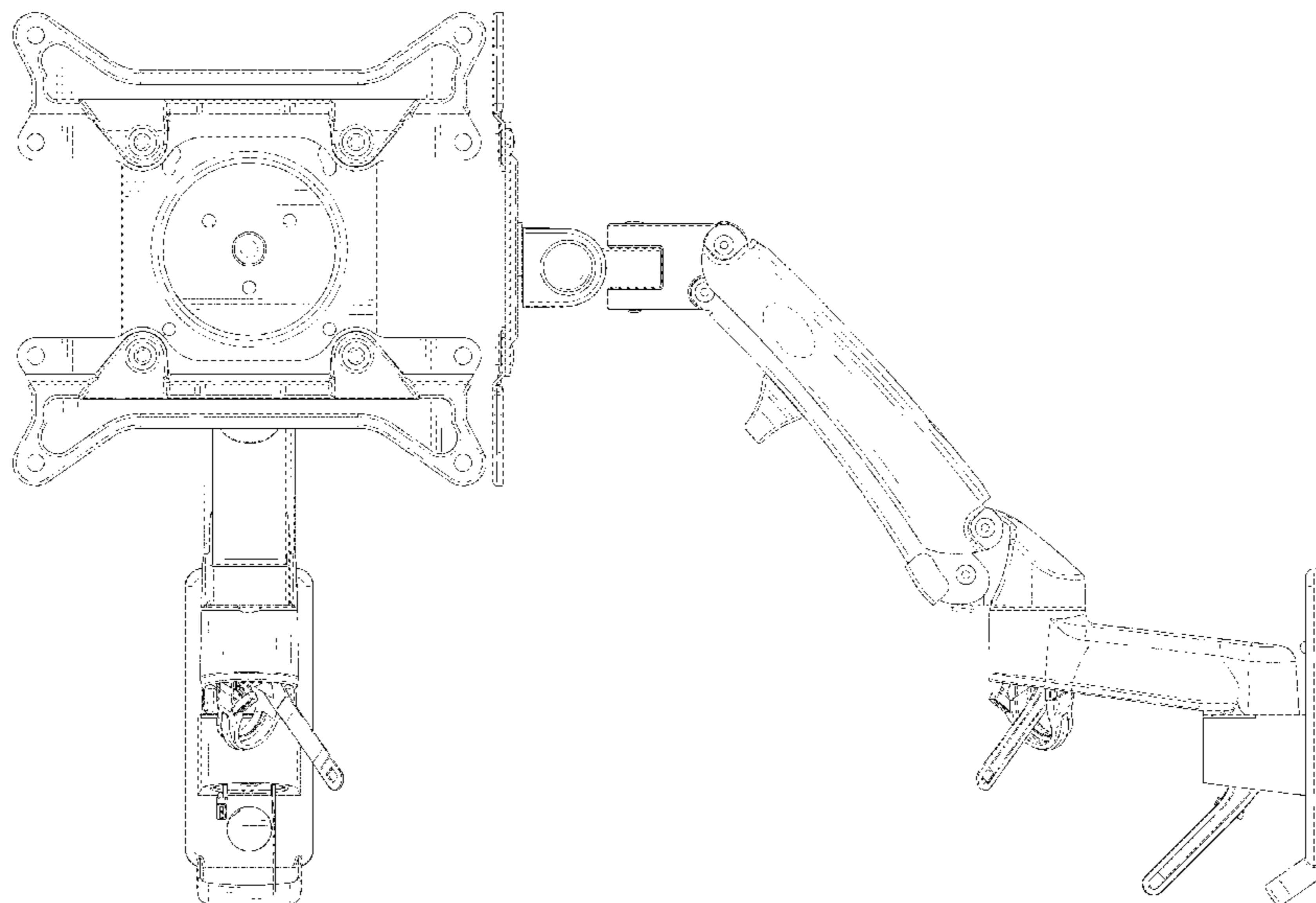
(57) **CLAIM**

The ornamental design for a display mount, as shown and described.

DESCRIPTION

FIG. 1 is a perspective view of a display mount showing my new design;
FIG. 2 is another perspective view thereof;
FIG. 3 is a front elevational view thereof
FIG. 4 is a rear elevational view thereof;
FIG. 5 is a left side elevational view thereof;
FIG. 6 is a right side elevational view thereof;
FIG. 7 is a top plan view thereof; and,
FIG. 8 is a bottom plan view thereof.
The broken lines immediately adjacent to the claim depict the bounds of the claimed design, while all other broken lines are directed to environment. The broken lines form no part of the claimed design.

1 Claim, 8 Drawing Sheets



(56)

References Cited

U.S. PATENT DOCUMENTS

D877,746 S * 3/2020 Pei D14/452
D878,382 S * 3/2020 Pei D14/452

FOREIGN PATENT DOCUMENTS

EM 000335872-0003 * 7/2005
EM 001673989-0010 * 3/2010

OTHER PUBLICATIONS

Amazon. Link: https://www.amazon.com/dp/B08CGSC9GJ/ref=cm_sw_em_r_mt_dp_AQsXFbVR645EY?_encoding=UTF8&psc=1. Jun. 17, 2020. USX Mount TV Wall Mount. (Year: 2020).*

Amazon. Link: https://www.amazon.com/dp/B07TC59WGR/ref=cm_sw_em_r_mt_dp_eDxVFb8Q10P5P?_encoding=UTF8&psc=1. Jun. 19, 2019. RENTLIV Full Motion TV Wall Mounts TV Bracket. (Year: 2019).*

* cited by examiner

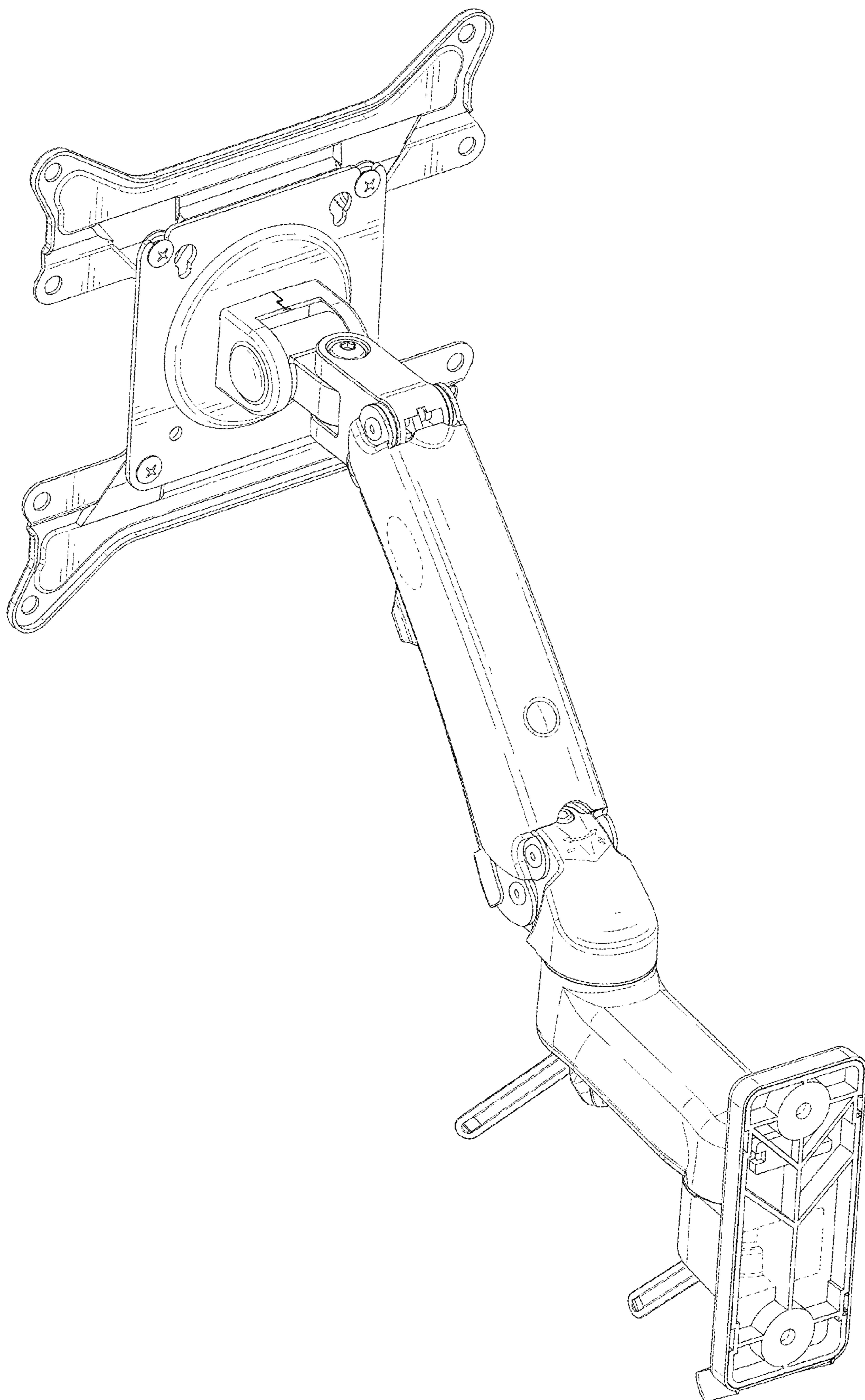


FIG. 1

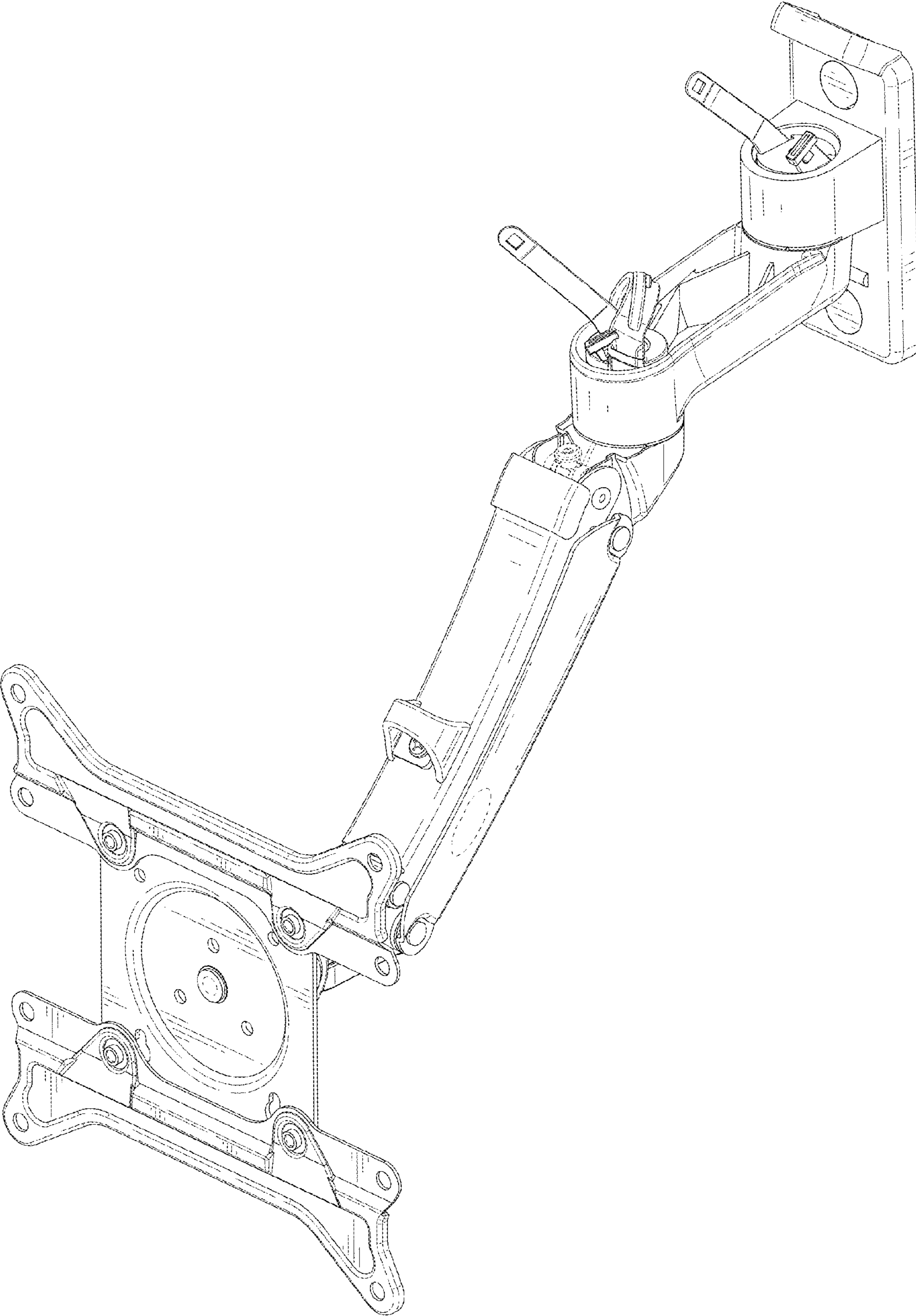


FIG. 2

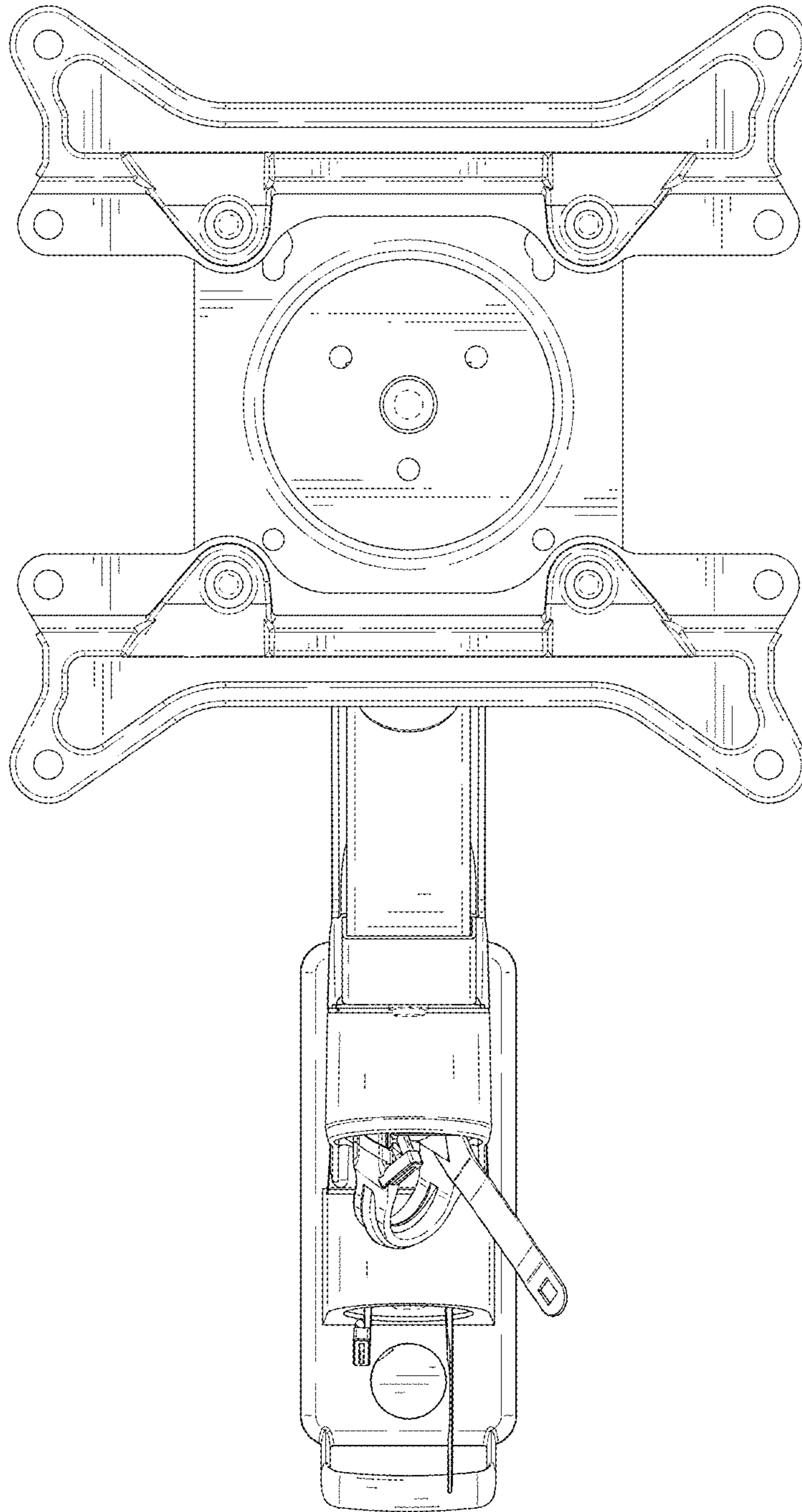


FIG. 3

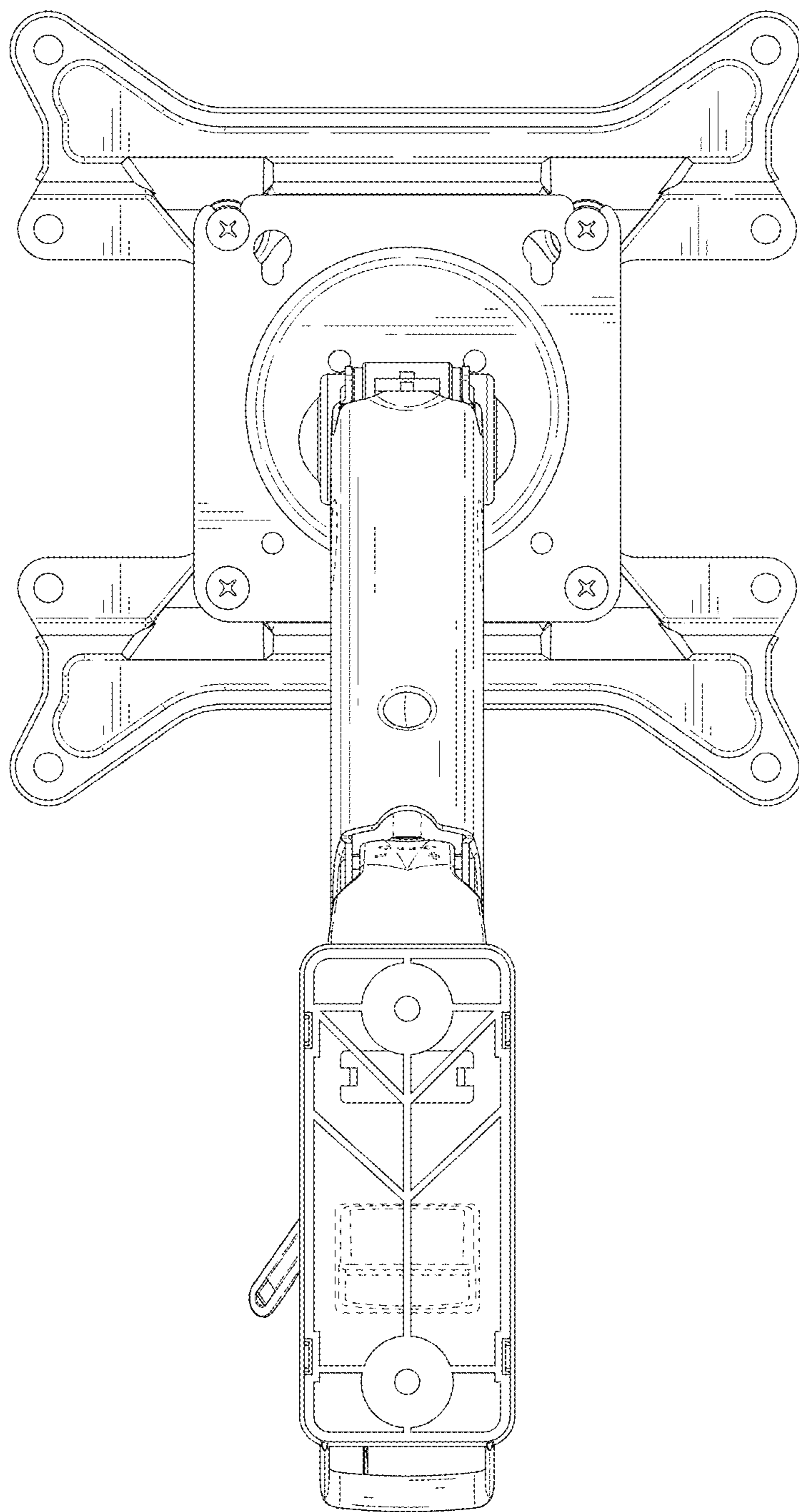


FIG. 4

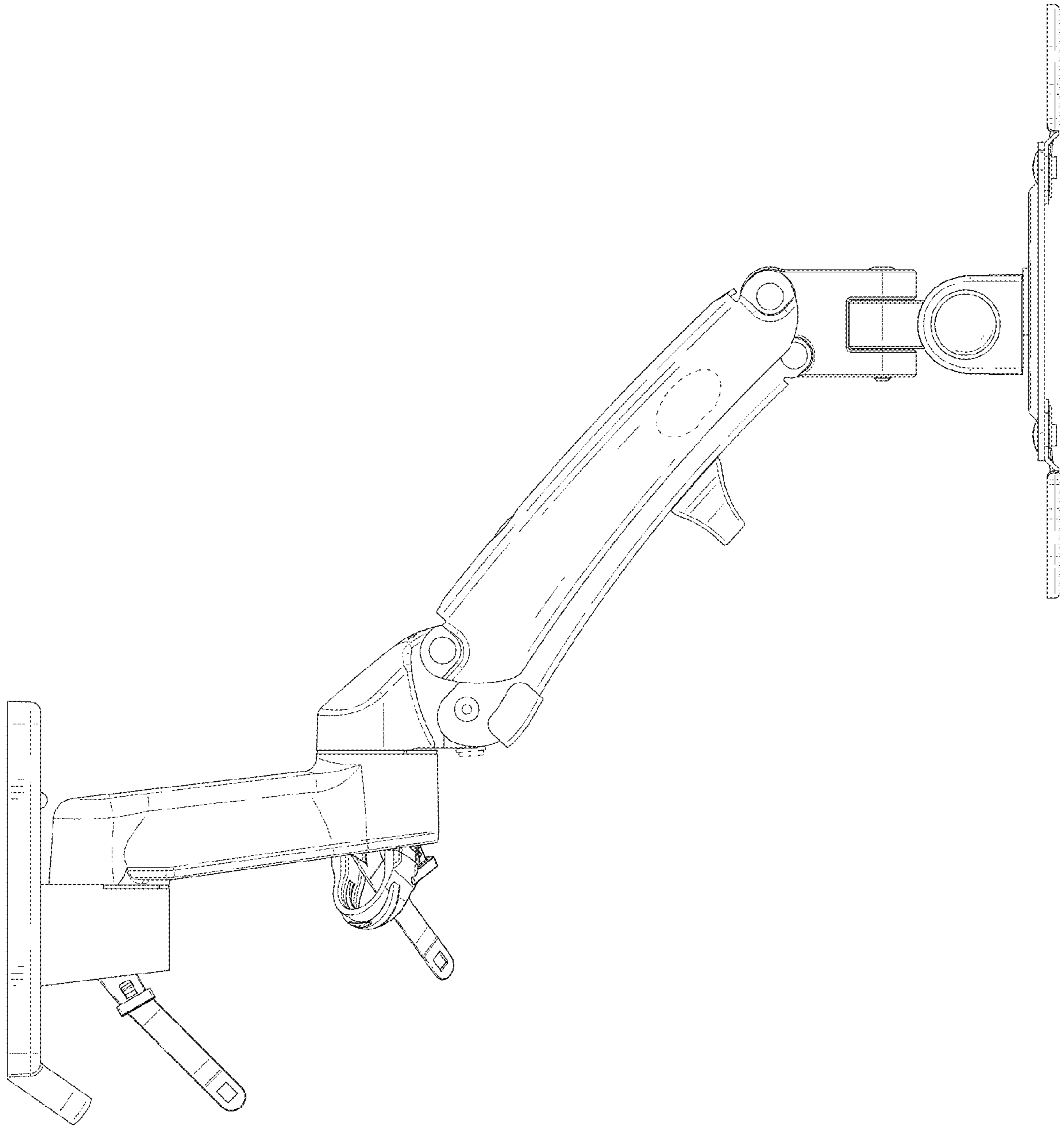


FIG. 5

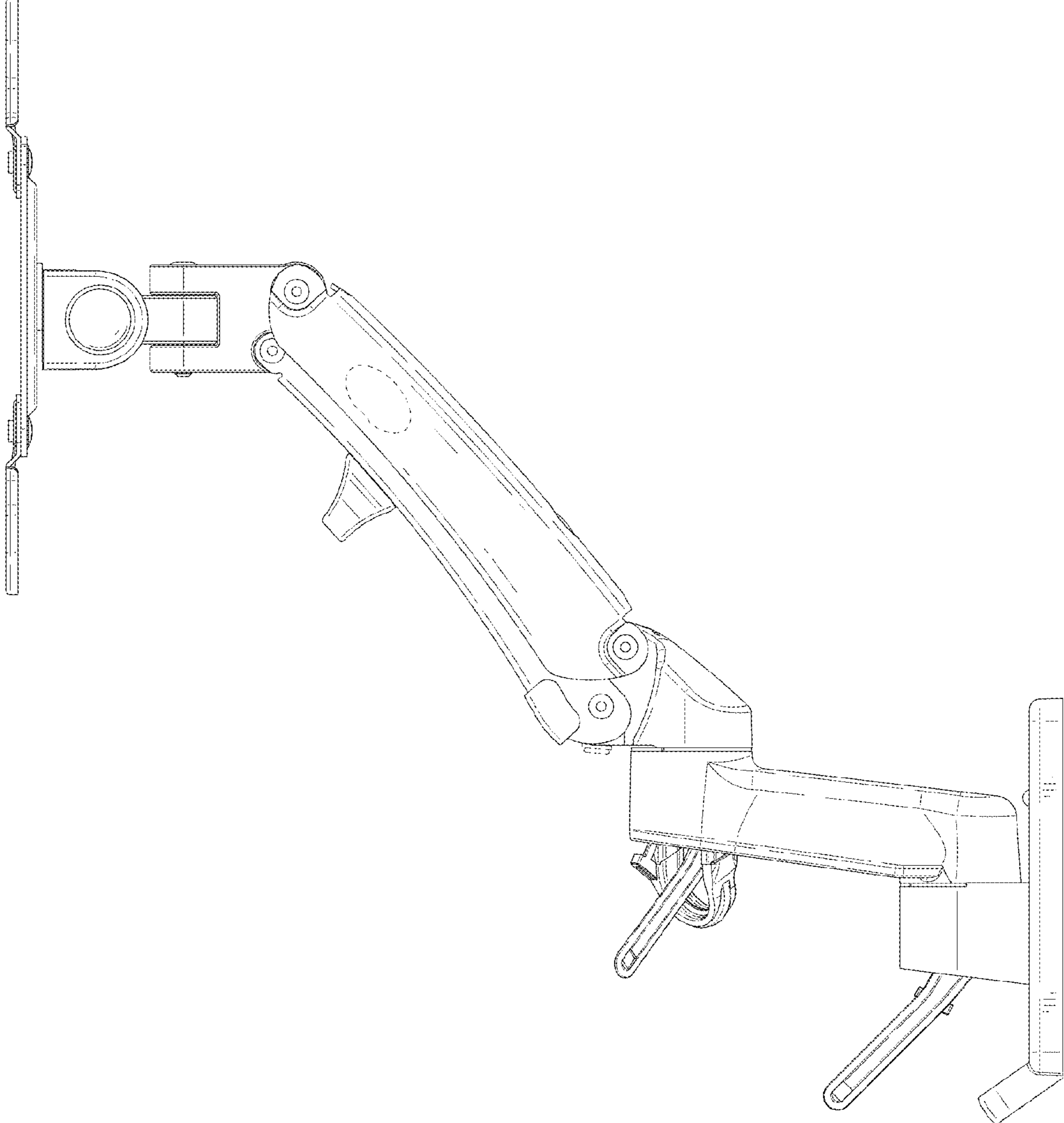


FIG. 6

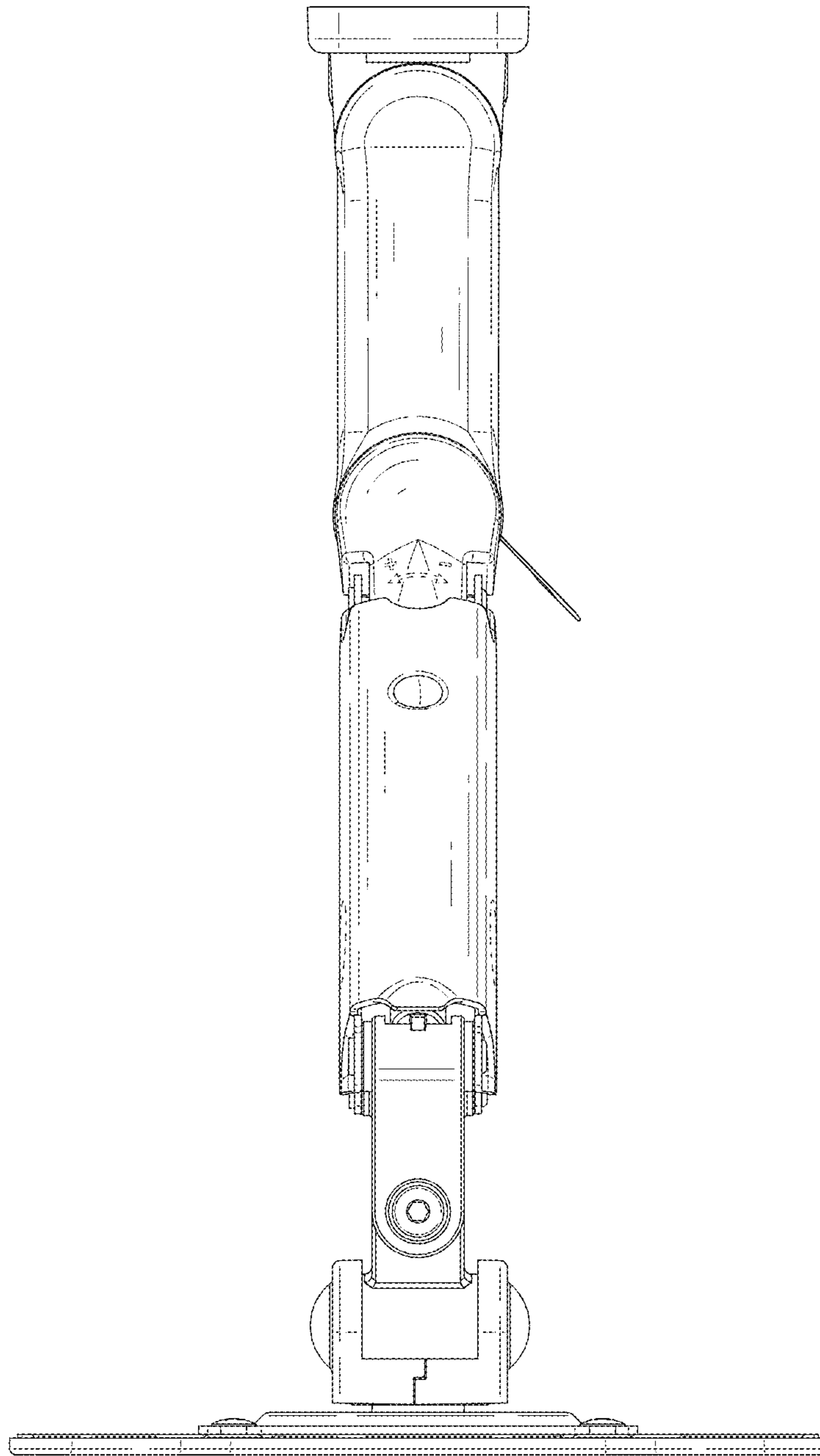


FIG. 7

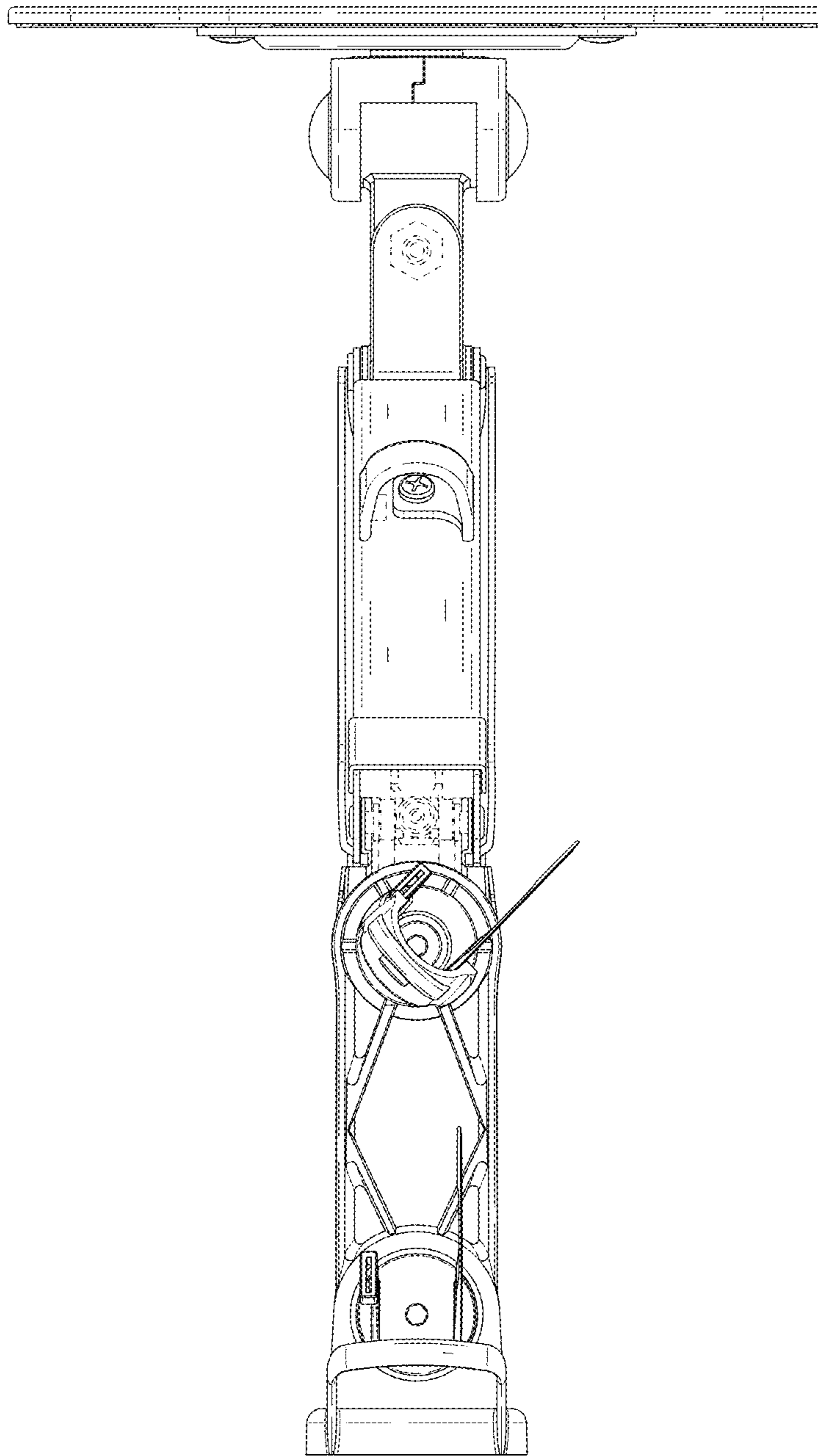


FIG. 8