



US00D922362S

(12) **United States Design Patent**
Lamb et al.

(10) **Patent No.:** **US D922,362 S**
(45) **Date of Patent:** **** Jun. 15, 2021**

- (54) **WEARABLE MICROPHONE**
- (71) Applicant: **Point Source Audio, Inc.**, Petaluma, CA (US)
- (72) Inventors: **James Lamb**, Novato, CA (US);
Yvonne Ho, Novato, CA (US)
- (73) Assignee: **POINT SOURCE AUDIO, INC.**, Petaluma, CA (US)

4,020,297 A	4/1977	Brodie	
4,090,042 A	5/1978	Larkin	
D252,024 S	6/1979	Fujita	
4,273,969 A	6/1981	Foley	
4,289,938 A	9/1981	Zichy	
D274,839 S	7/1984	Libby	
D280,323 S	8/1985	Scheid	
D281,420 S	11/1985	Rosenthal	
4,617,431 A	10/1986	Scott	
D295,169 S	4/1988	Cho	
4,888,807 A *	12/1989	Reichel H04R 1/406 381/92

(**) Term: **15 Years**

(Continued)

(21) Appl. No.: **29/704,288**

OTHER PUBLICATIONS

(22) Filed: **Sep. 3, 2019**

ENDURE™ Dual Element Lavalier Microphone, announced © 2020 [online], retrieved Aug. 26, 2020, retrieved from internet, <https://www.point-sourceaudio.com/products/microphones/lavalier/go2-8wl-omni/>.*

(51) **LOC (13) Cl.** **14-01**

(52) **U.S. Cl.**
USPC **D14/225**

(Continued)

(58) **Field of Classification Search**
USPC D14/221, 224, 225, 226, 227, 228, 229,
D14/150, 154, 155, 158, 160, 172
CPC H04R 19/04; H04R 19/00; H04R 1/406;
H04R 1/08; H04R 1/04; H04R 1/326;
H04R 29/004; H04R 2410/00; H04R
2410/01; H04R 2410/03; H04R 2410/05;
H04R 2410/07; H04R 2420/07; H04R
17/02

Primary Examiner — Dana K Weiland
Assistant Examiner — Messina L Smith

See application file for complete search history.

(57) **CLAIM**

We claim the ornamental design for a wearable microphone, as shown and described.

DESCRIPTION

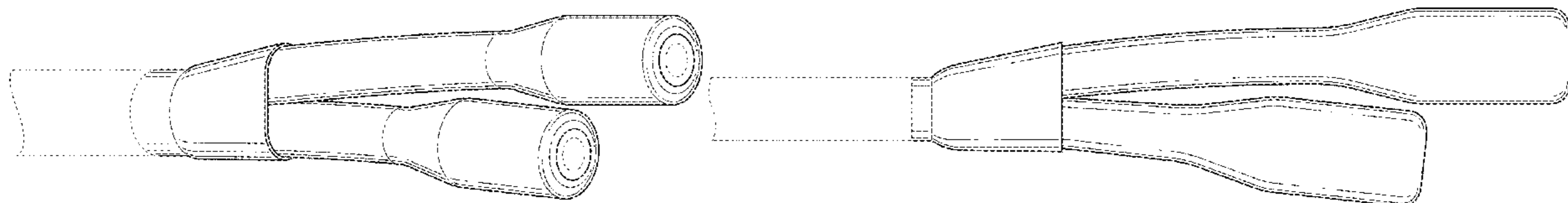
(56) **References Cited**

U.S. PATENT DOCUMENTS

800,055 A	9/1905	Ayres
1,085,916 A	2/1914	Hutchinson
1,587,643 A	6/1926	Nathaniel
D74,984 S	4/1928	Myers
2,337,953 A	12/1943	Wirsching
2,513,746 A	7/1950	Rohr
2,566,313 A	9/1951	Cates
2,954,442 A	9/1960	Mickenberg
D196,515 S	10/1963	Flystad
3,691,319 A	9/1972	Bee
D238,178 S	12/1975	Kinnan

FIG. 1 is a top perspective view of a wearable microphone in accordance with the present design.
FIG. 2 is a top view thereof.
FIG. 3 is a bottom view thereof.
FIG. 4 is a right side view thereof.
FIG. 5 is a left side view thereof.
FIG. 6 is a front view thereof; and,
FIG. 7 is a rear view thereof.
The dashed broken lines in the Figures show portions of the wearable microphone that form no part of the claimed design.

1 Claim, 5 Drawing Sheets



(56)

References Cited

U.S. PATENT DOCUMENTS

4,911,510 A 3/1990 Jenkins
 D309,305 S 7/1990 von Hall
 D313,802 S * 1/1991 Peiker D14/227
 D326,268 S 5/1992 Le Tixerant
 5,210,792 A 5/1993 Kajihara
 5,336,849 A 8/1994 Whitney
 D356,571 S 3/1995 Garmon
 D362,008 S 9/1995 McCumber
 5,729,615 A 3/1998 Yang
 D394,669 S 5/1998 Becker
 5,761,298 A 6/1998 Davis
 5,793,878 A 8/1998 Chang
 D418,512 S 1/2000 Lin
 D421,755 S 3/2000 Pitel
 6,097,827 A 8/2000 Yang
 D449,038 S 1/2001 Andreini
 D441,739 S 5/2001 Hayes
 6,233,344 B1 5/2001 Clegg
 6,396,935 B1 5/2002 Makkonen
 D463,399 S 9/2002 Konomi
 6,456,721 B1 9/2002 Fukuda
 6,584,984 B2 7/2003 Kelly
 D478,579 S 8/2003 Sade
 6,603,863 B1 8/2003 Nagayoshi
 D479,226 S 9/2003 Beauregard
 D484,875 S 1/2004 Higgins
 D498,251 S 11/2004 Invencio
 D518,816 S 4/2006 Naito
 D519,990 S 5/2006 Lazor
 D530,706 S * 10/2006 Gustafson D14/228
 7,231,056 B2 6/2007 Chen
 D553,567 S 10/2007 Kawanobe
 D563,395 S 3/2008 Pitcher
 D566,104 S 4/2008 Suzuki
 D573,101 S 7/2008 Ng
 D575,772 S 8/2008 Schultz
 D582,902 S 12/2008 Crous
 D585,881 S 2/2009 Nam
 D588,584 S * 3/2009 Park D14/226
 D593,075 S 5/2009 Williams
 7,613,292 B2 11/2009 te Riet

7,648,005 B2 1/2010 Leong
 D611,933 S 3/2010 Burnham
 D620,482 S * 7/2010 Chen D14/225
 8,009,853 B2 8/2011 Ito et al.
 D645,028 S 9/2011 Pescetto
 8,107,664 B2 1/2012 Mao
 D685,760 S * 7/2013 Fletcher D14/205
 D693,773 S 11/2013 Chen
 D708,600 S * 7/2014 Trewartha D14/225
 D713,385 S 9/2014 Burgett
 D720,726 S 1/2015 Yu
 8,985,538 B2 3/2015 Rapoport
 D733,658 S 7/2015 Yang
 9,271,065 B2 2/2016 Lamb
 D778,877 S 2/2017 Lin
 9,706,285 B2 7/2017 Lamb
 D815,599 S 4/2018 Kobayashi
 D815,600 S 4/2018 Matsuoka
 9,942,641 B2 4/2018 Lamb
 D825,468 S 8/2018 Zeng
 D840,352 S * 2/2019 Garver D13/153
 D850,422 S * 6/2019 Lamb D14/225
 D857,634 S * 8/2019 Reitenbach D13/146
 D884,684 S * 5/2020 Chen D14/226
 2001/0041476 A1 * 11/2001 Sato H01R 13/64
 439/607.01
 2002/0166691 A1 11/2002 Yaworski
 2008/0247590 A1 10/2008 Sun
 2009/0285434 A1 11/2009 Williams
 2010/0061581 A1 3/2010 Soetejo
 2010/0104126 A1 * 4/2010 Greene H01B 7/225
 381/384
 2015/0373449 A1 * 12/2015 Jackson F21V 33/0056
 381/74
 2018/0317002 A1 11/2018 Castillo

OTHER PUBLICATIONS

Point Source, announced © 2020 [online], retrieved Aug. 26, 2020, retrieved from internet, https://www.fullcompass.com/prod/570407-point-source-co2-8wlp-xat-omnidirectional-dual-element-waterproof-lavalier-microphone-for-audio-technica.*

* cited by examiner

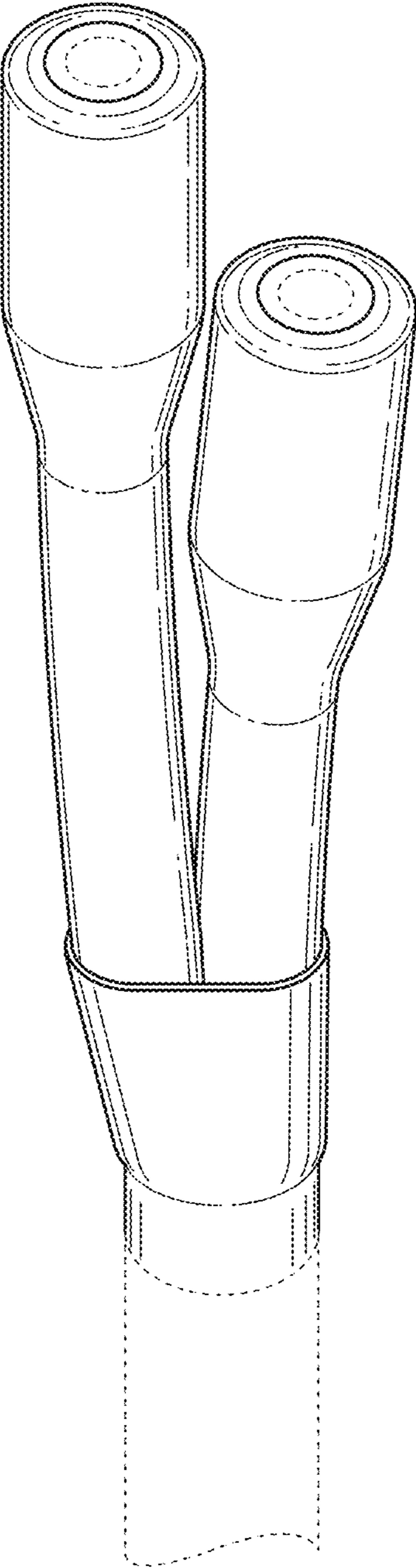


FIG. 1

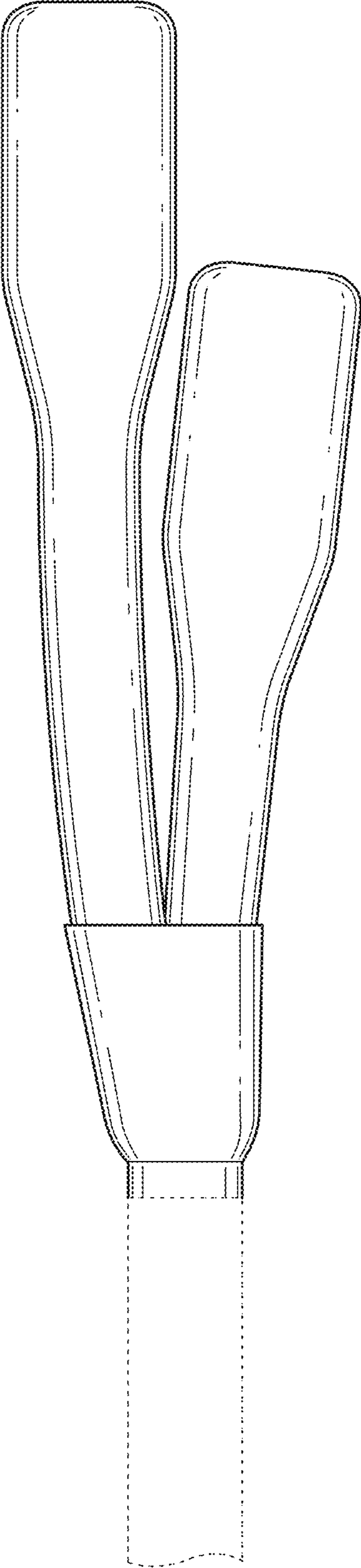


FIG. 2

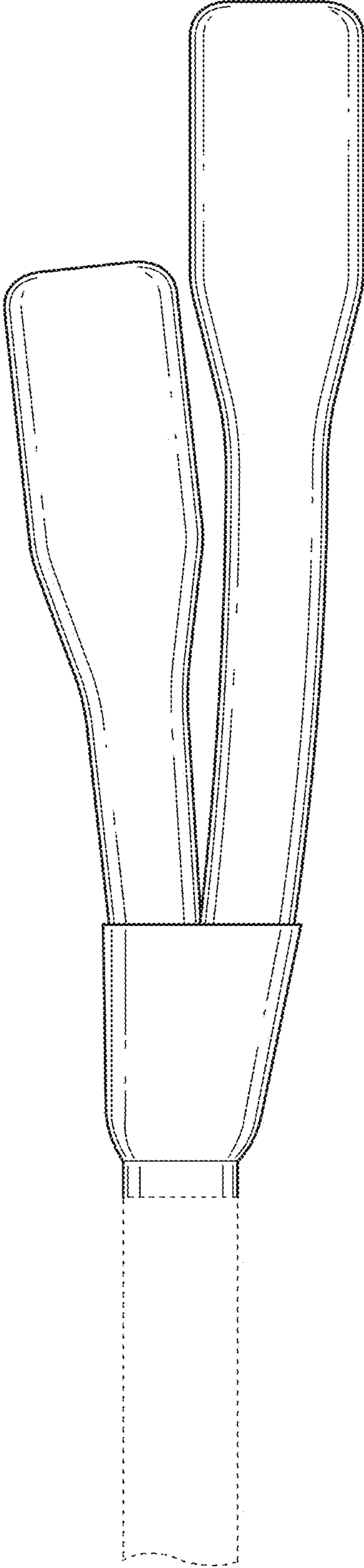


FIG. 3

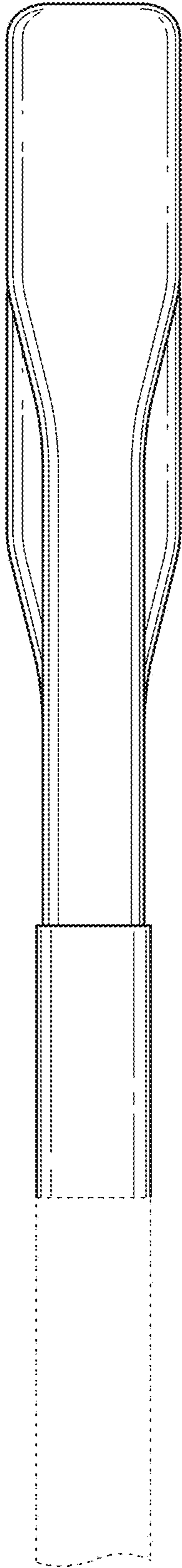


FIG. 4

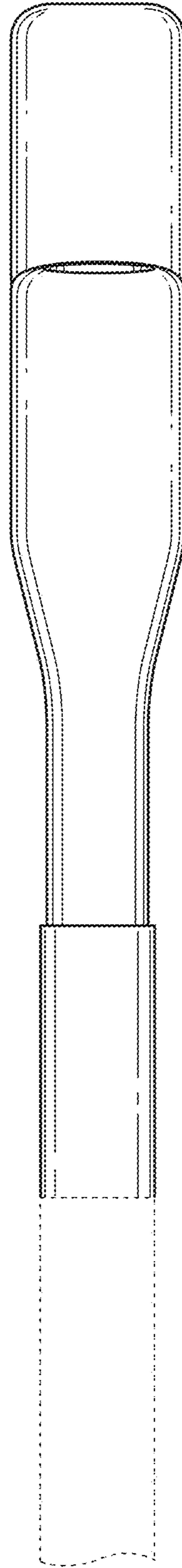


FIG. 5

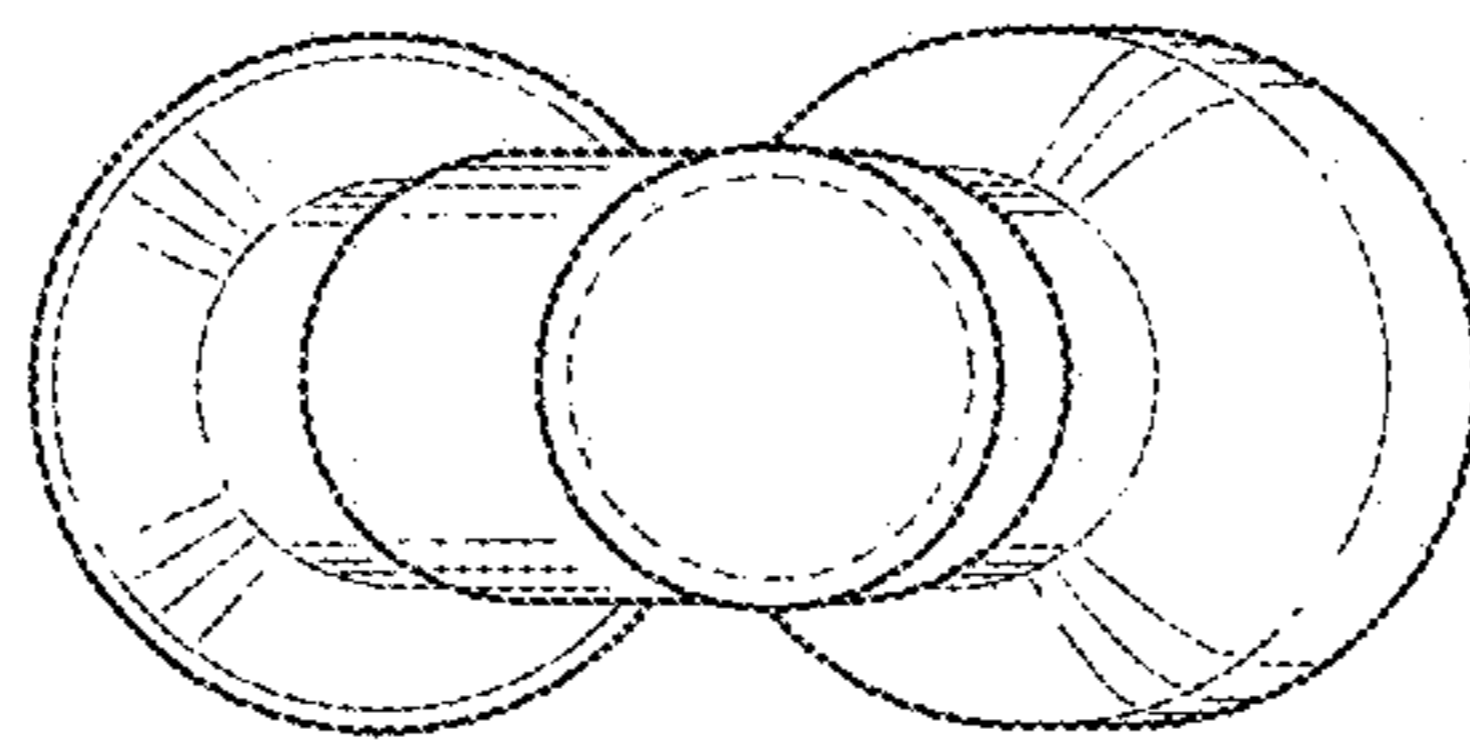


FIG. 6

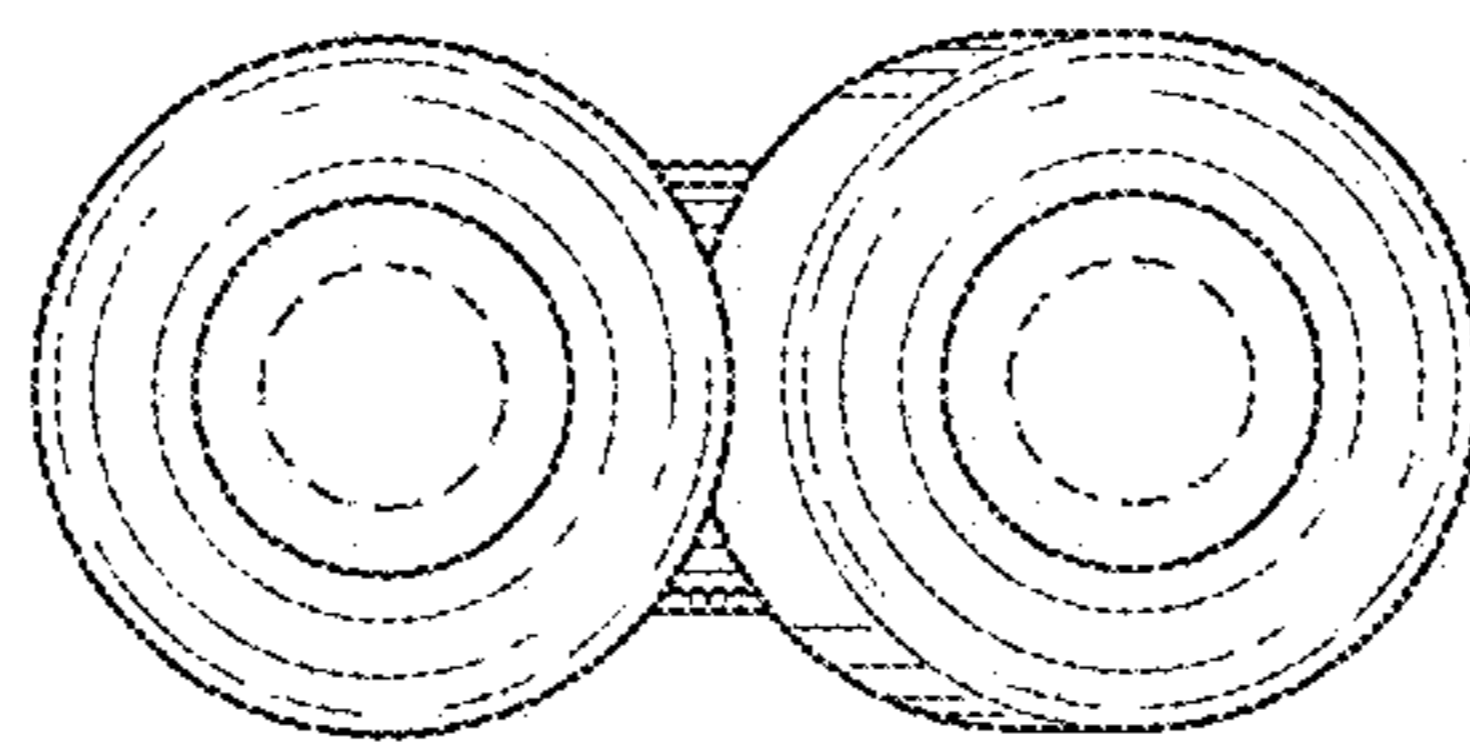


FIG. 7