



US00D922360S

(12) **United States Design Patent**  
**Robertson**

(10) **Patent No.:** **US D922,360 S**  
(45) **Date of Patent:** **\*\* Jun. 15, 2021**

(54) **SANITIZABLE SECURITY SLEEVE**

(71) Applicant: **Hawaii Pacific Health**, Honolulu, HI (US)  
(72) Inventor: **Steven Eugene Robertson**, Honolulu, HI (US)  
(73) Assignee: **HAWAII PACIFIC HEALTH**, Honolulu, HI (US)  
(\*\*) Term: **15 Years**

(21) Appl. No.: **29/679,967**

(22) Filed: **Feb. 12, 2019**

(51) **LOC (13) Cl.** ..... **14-01**

(52) **U.S. Cl.**  
USPC ..... **D14/224**

(58) **Field of Classification Search**  
USPC ... D14/224, 209.1, 217, 239, 447, 434, 496, D14/216, 253; D7/306, 624.1, 624.2; D26/128, 137; D13/108; D16/219; 320/110, 113; 439/534; 379/420.01–420.04; 455/90.3, 575.1, 455/569.1  
CPC ..... G06F 1/16; H04R 1/025; H04R 1/105; H04R 25/00; H04R 1/1008  
See application file for complete search history.

(56) **References Cited**

**U.S. PATENT DOCUMENTS**

1,550,588	A *	8/1925	Soldani	.....	A47G 29/18
					248/313
1,646,562	A *	10/1927	Snow	.....	B60R 11/00
					248/313
3,224,644	A *	12/1965	Davis	.....	B65D 83/267
					222/162
3,434,302	A *	3/1969	Stoner	.....	F25D 3/00
					62/457.4
D219,985	S *	2/1971	Ray	.....	D13/108
D300,214	S *	3/1989	Adams	.....	D13/108

(Continued)

**OTHER PUBLICATIONS**

Echo Wall Mounts and Sleeves on Amazon, from search performed on Amazon.com on Jan. 25, 2019.

*Primary Examiner* — Paula Allen Greene  
(74) *Attorney, Agent, or Firm* — Seth M. Reiss

(57) **CLAIM**

I claim the ornamental design for a sanitizable security sleeve, as shown and described.

**DESCRIPTION**

FIG. 1 is a top right perspective view of the sanitizable security sleeve, assembled, mounted on a wall and enclosing an electronic device;

FIG. 2 is a bottom left perspective view of the sanitizable security sleeve, assembled, enclosing an electronic device;

FIG. 3 is top view of the assembled sanitizable security sleeve, enclosing an electronic device and mounted on a wall;

FIG. 4 is a bottom view of the assembled sanitizable security sleeve;

FIG. 5 a right side view of the of assembled sanitizable security sleeve, enclosing an electronic device and mounted on a wall;

FIG. 6 a left side view of the assembled sanitizable security sleeve, enclosing an electronic device;

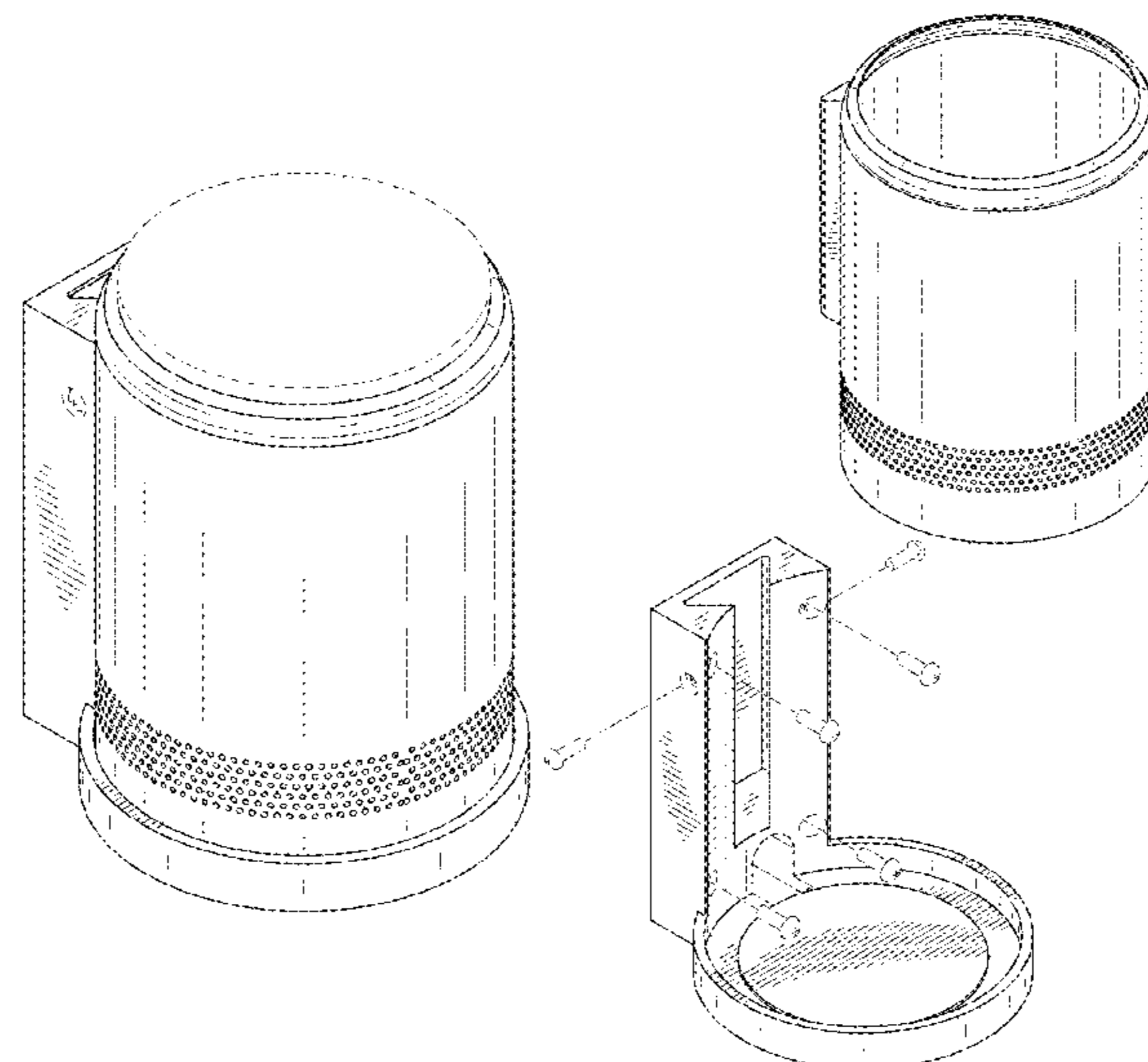
FIG. 7 is a front view of the assembled sanitizable security sleeve, enclosing an electronic device and mounted on a wall;

FIG. 8 is a rear view of the assembled sanitizable security sleeve, enclosing an electronic device; and,

FIG. 9 is a top right perspective view of the sleeve and holder portions of the sanitizable security sleeve, shown separately prior to assembly, with holder portion mounted to a wall.

The broken lines shown in the figures are directed to environment and form no part of the claimed design.

**1 Claim, 9 Drawing Sheets**



(56)

References Cited

U.S. PATENT DOCUMENTS

D322,061 S \* 12/1991 Watanabe ..... D13/108  
 D334,170 S \* 3/1993 Rams ..... D13/108  
 D335,599 S \* 5/1993 Novak ..... D6/526  
 D354,171 S \* 1/1995 Schmidt ..... D6/300  
 D358,801 S \* 5/1995 Vos ..... D13/108  
 D411,166 S \* 6/1999 Uemura ..... D13/107  
 D420,974 S \* 2/2000 Minagawa ..... D13/108  
 6,269,737 B1 \* 8/2001 Rigney ..... A47J 27/04  
 126/369  
 D455,397 S \* 4/2002 Weiner ..... D13/108  
 D471,578 S \* 3/2003 Okuley ..... D13/108  
 D488,253 S \* 4/2004 Chen ..... D26/128  
 D516,025 S \* 2/2006 Quinn ..... D13/108  
 D525,193 S \* 7/2006 Vu ..... D13/108  
 D584,075 S \* 1/2009 Hung ..... D14/239  
 D645,047 S \* 9/2011 Wike ..... D14/447  
 D677,503 S \* 3/2013 Floyd ..... D6/526  
 D692,898 S \* 11/2013 Luijben ..... D14/447  
 D722,292 S \* 2/2015 De Klein ..... D13/108  
 D728,576 S \* 5/2015 David ..... D14/434  
 D736,210 S \* 8/2015 Paradise ..... D14/434

D744,541 S \* 12/2015 Langhammer ..... D14/496  
 D764,406 S \* 8/2016 Uchida ..... D13/108  
 D771,614 S \* 11/2016 Chang ..... D14/253  
 D788,080 S \* 5/2017 Turksu ..... D14/224  
 D799,492 S \* 10/2017 Seiss ..... D14/447  
 D808,928 S \* 1/2018 Schaal ..... D14/216  
 D817,333 S \* 5/2018 Boshernitzan ..... D14/434  
 D823,071 S \* 7/2018 Woods ..... A47G 23/0313  
 D7/624.1  
 D823,241 S \* 7/2018 Zhang ..... D13/103  
 D828,856 S \* 9/2018 Langhammer ..... D14/496  
 D836,086 S \* 12/2018 Yu ..... D14/209.1  
 D847,119 S \* 4/2019 Theisen ..... D14/209.1  
 D855,590 S \* 8/2019 Qi ..... D14/224  
 D858,490 S \* 9/2019 Qi ..... D14/224  
 D875,077 S \* 2/2020 Omata ..... D14/216  
 D879,749 S \* 3/2020 Qi ..... D14/224  
 D887,397 S \* 6/2020 Wang ..... D14/224  
 D904,346 S \* 12/2020 Wright ..... D14/217  
 2015/0275943 A1 \* 10/2015 Chang ..... F16M 11/10  
 248/205.8  
 2017/0187206 A1 \* 6/2017 Lafountain ..... H02J 7/0044  
 2017/0215004 A1 \* 7/2017 Wengreen ..... H04R 1/026  
 2018/0092230 A1 \* 3/2018 Hsu ..... H04R 1/1033

\* cited by examiner

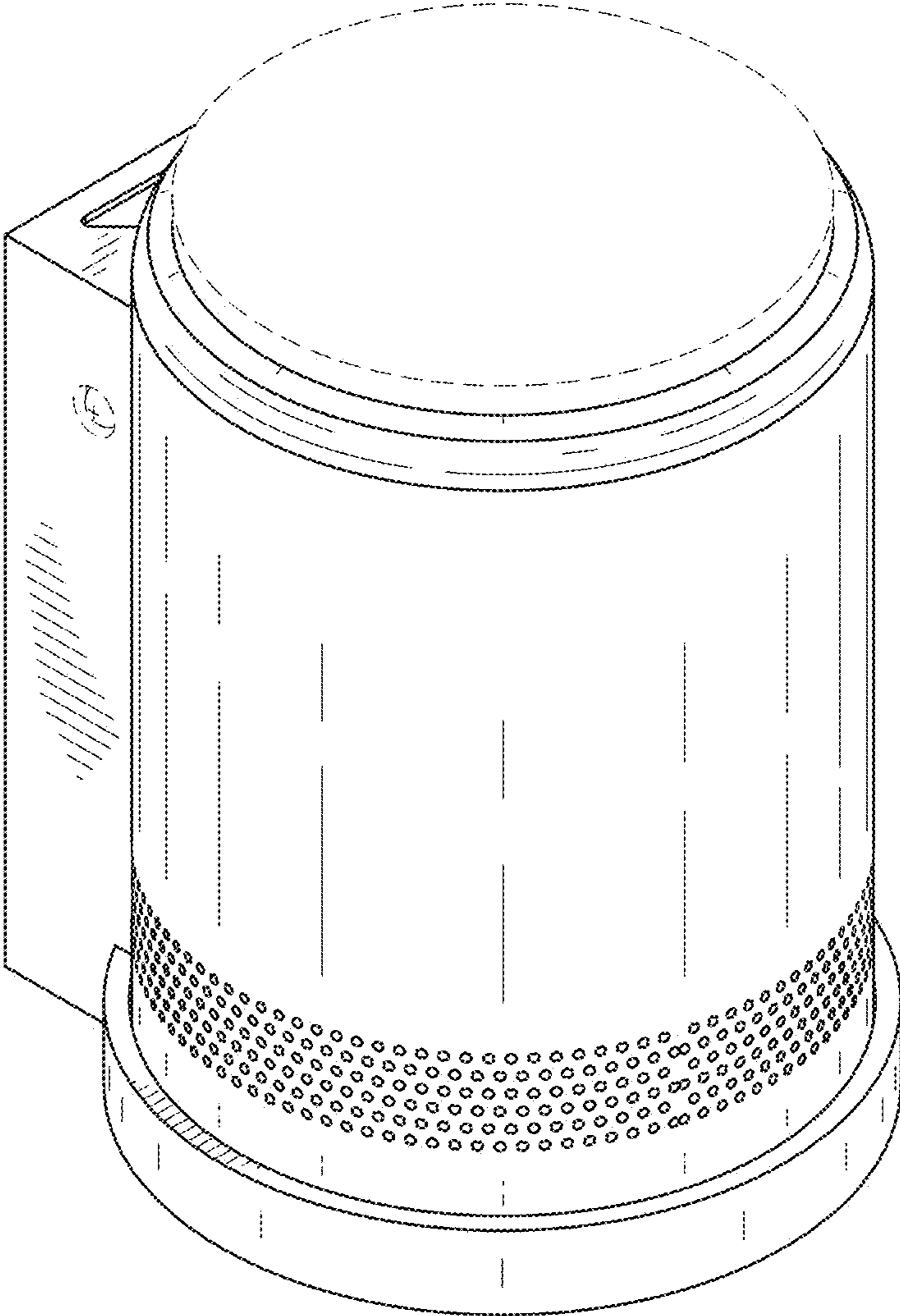


FIG. 1



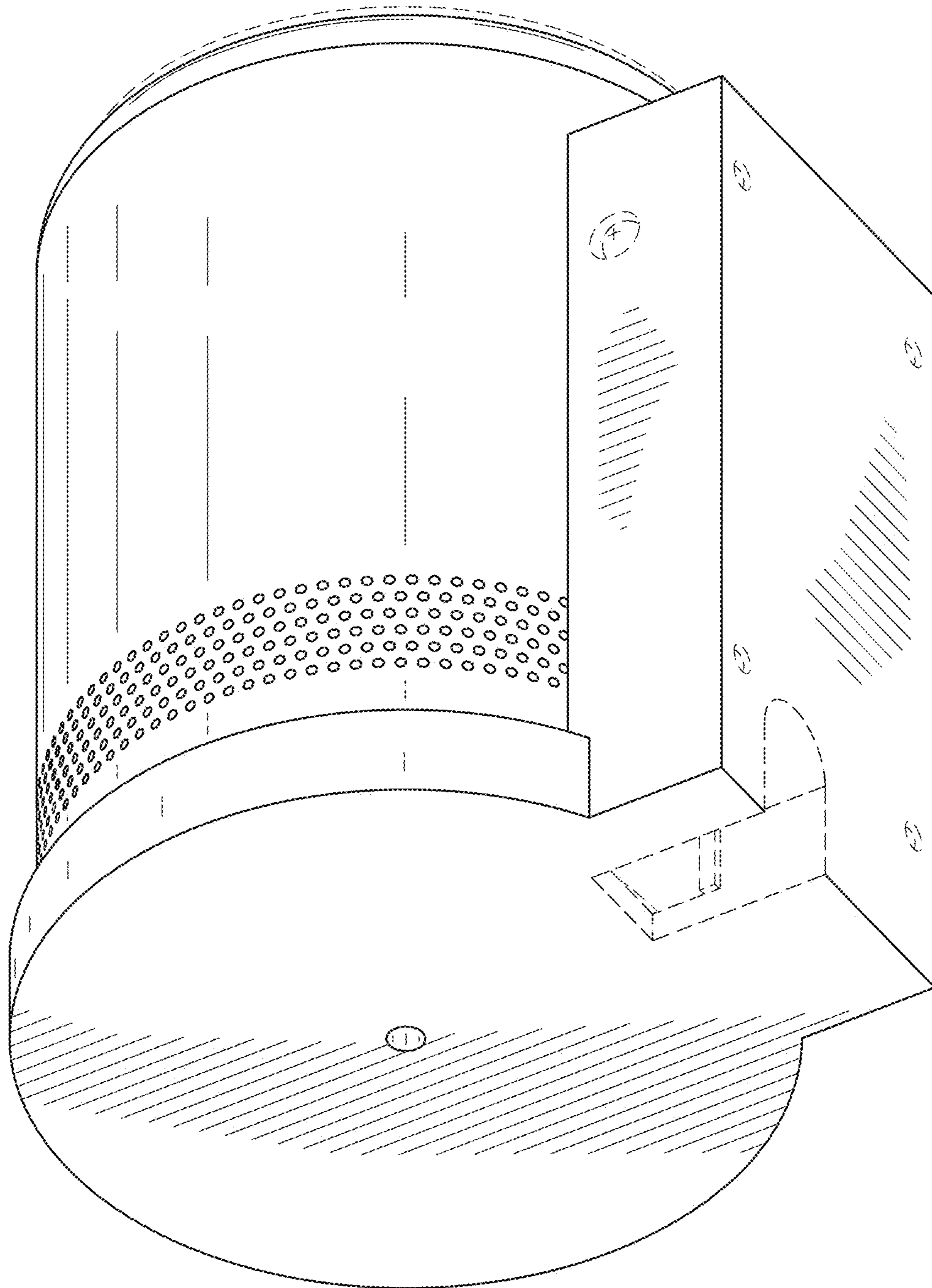


FIG. 2

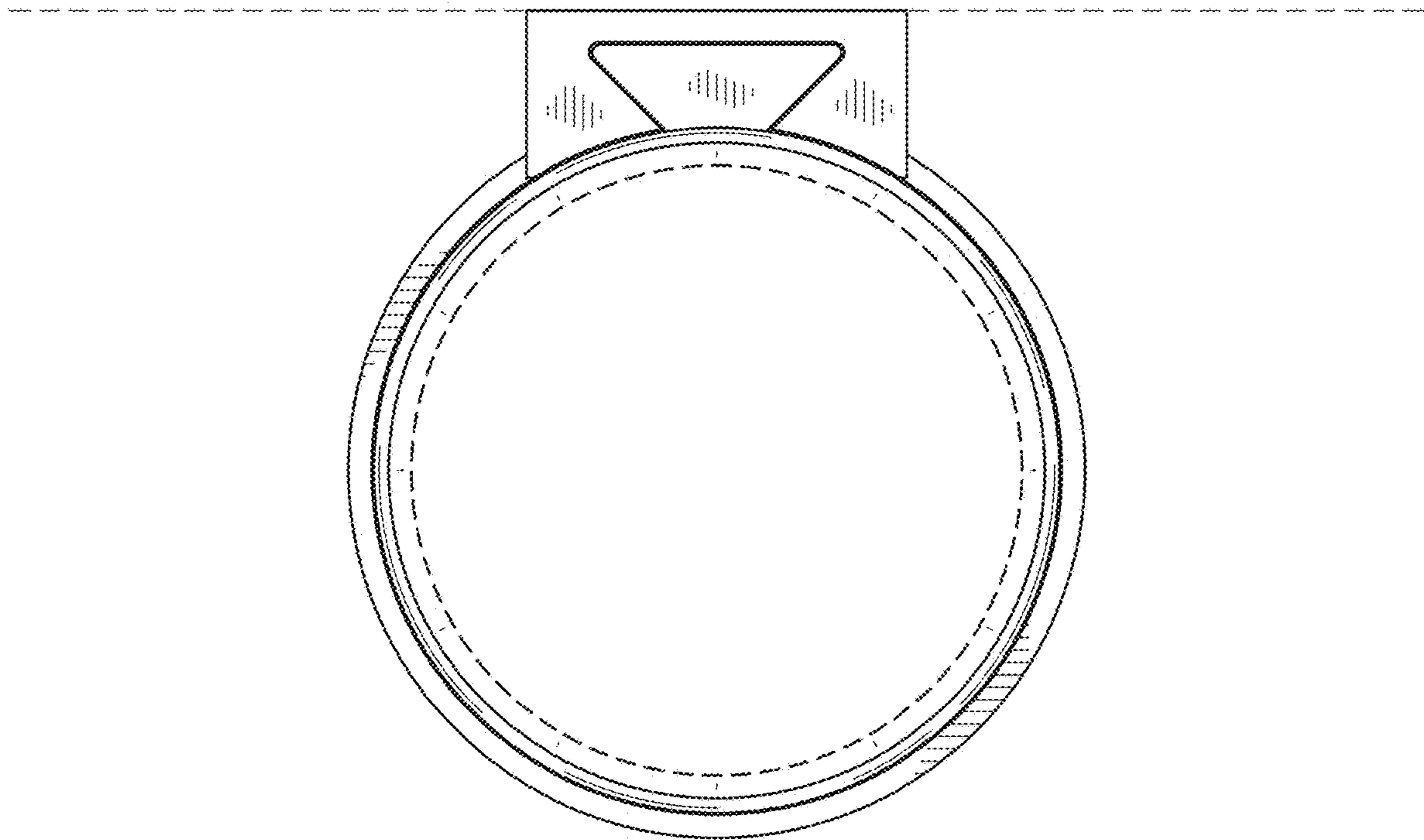


FIG. 3

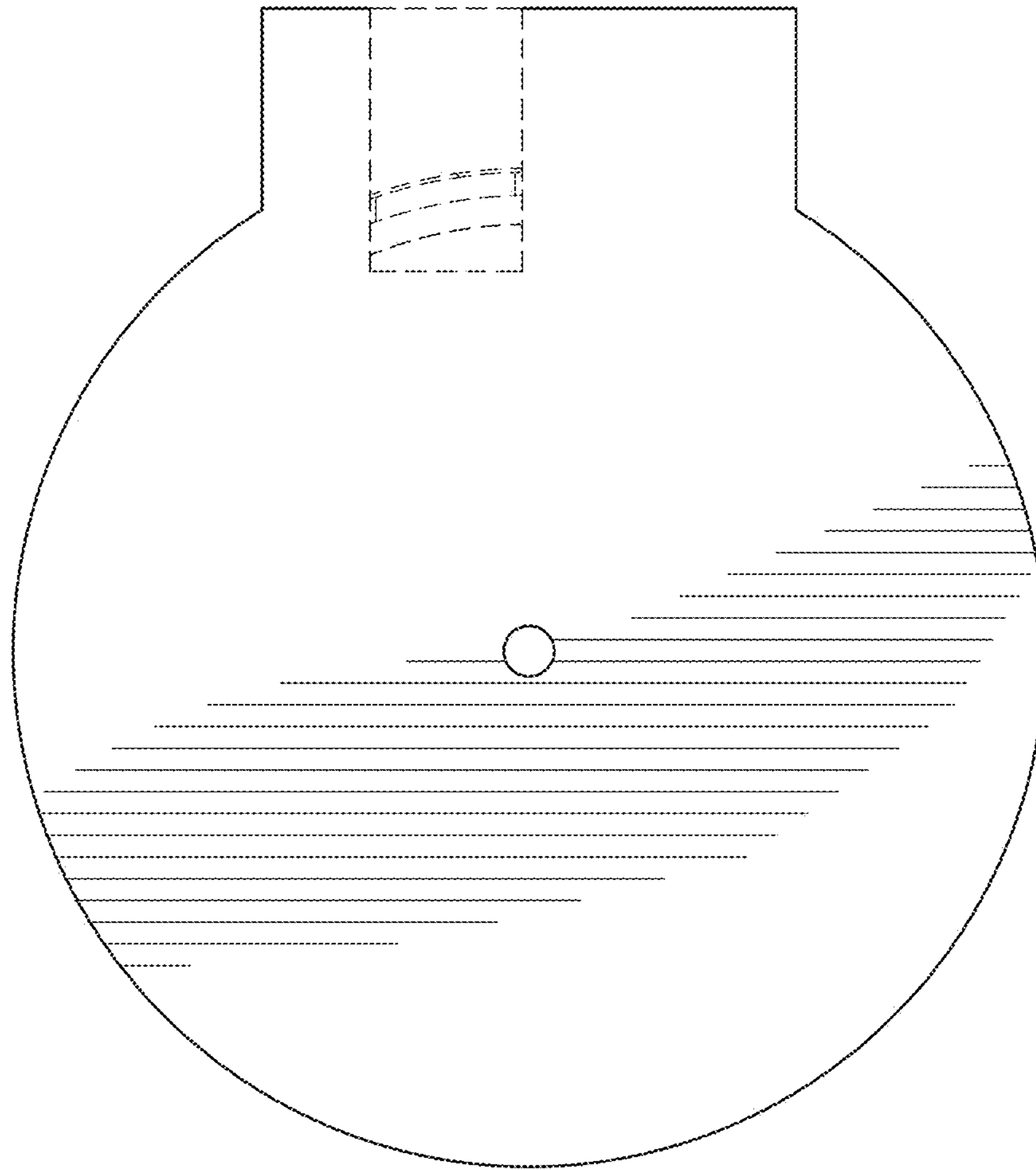


FIG. 4

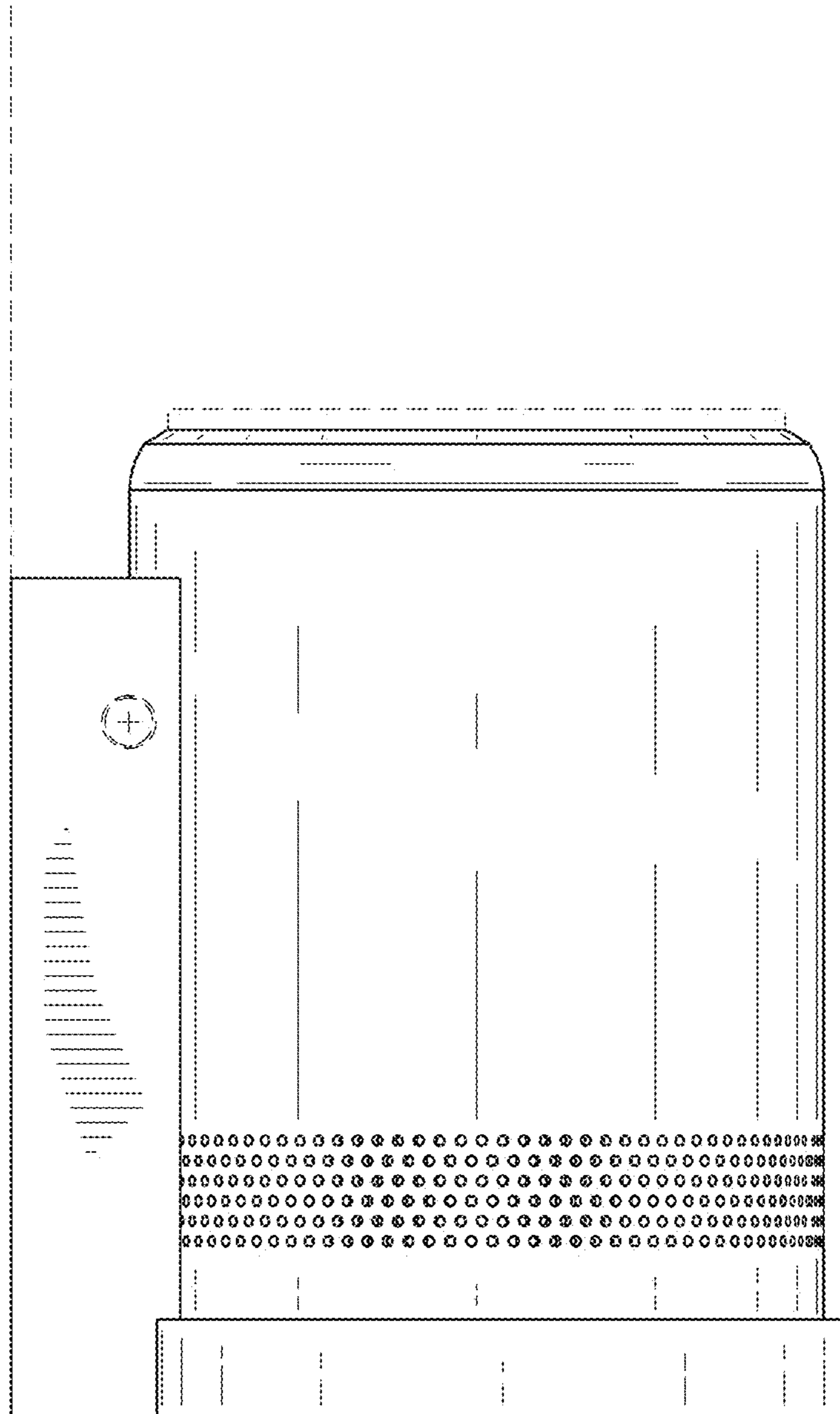


FIG. 5

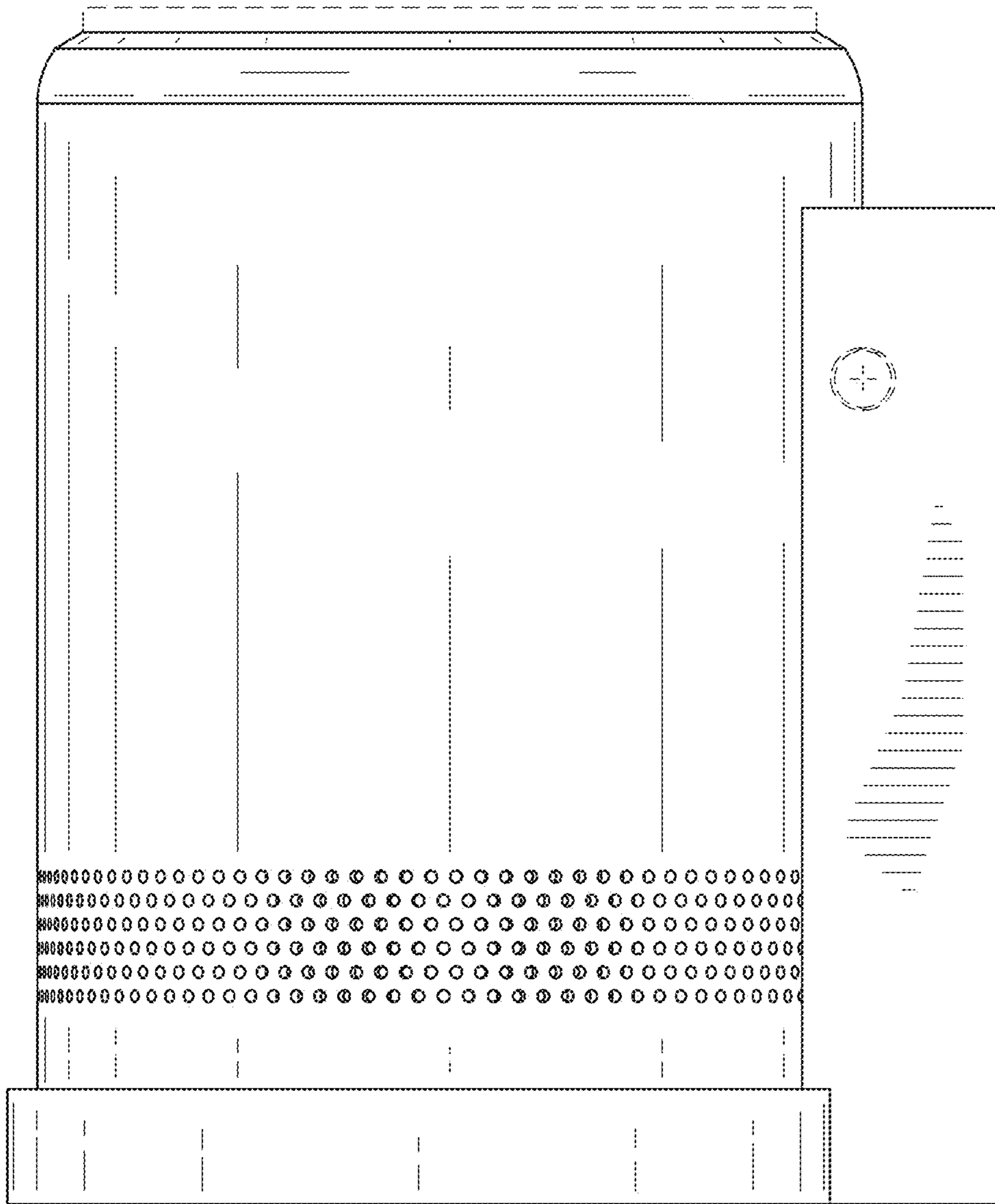


FIG. 6



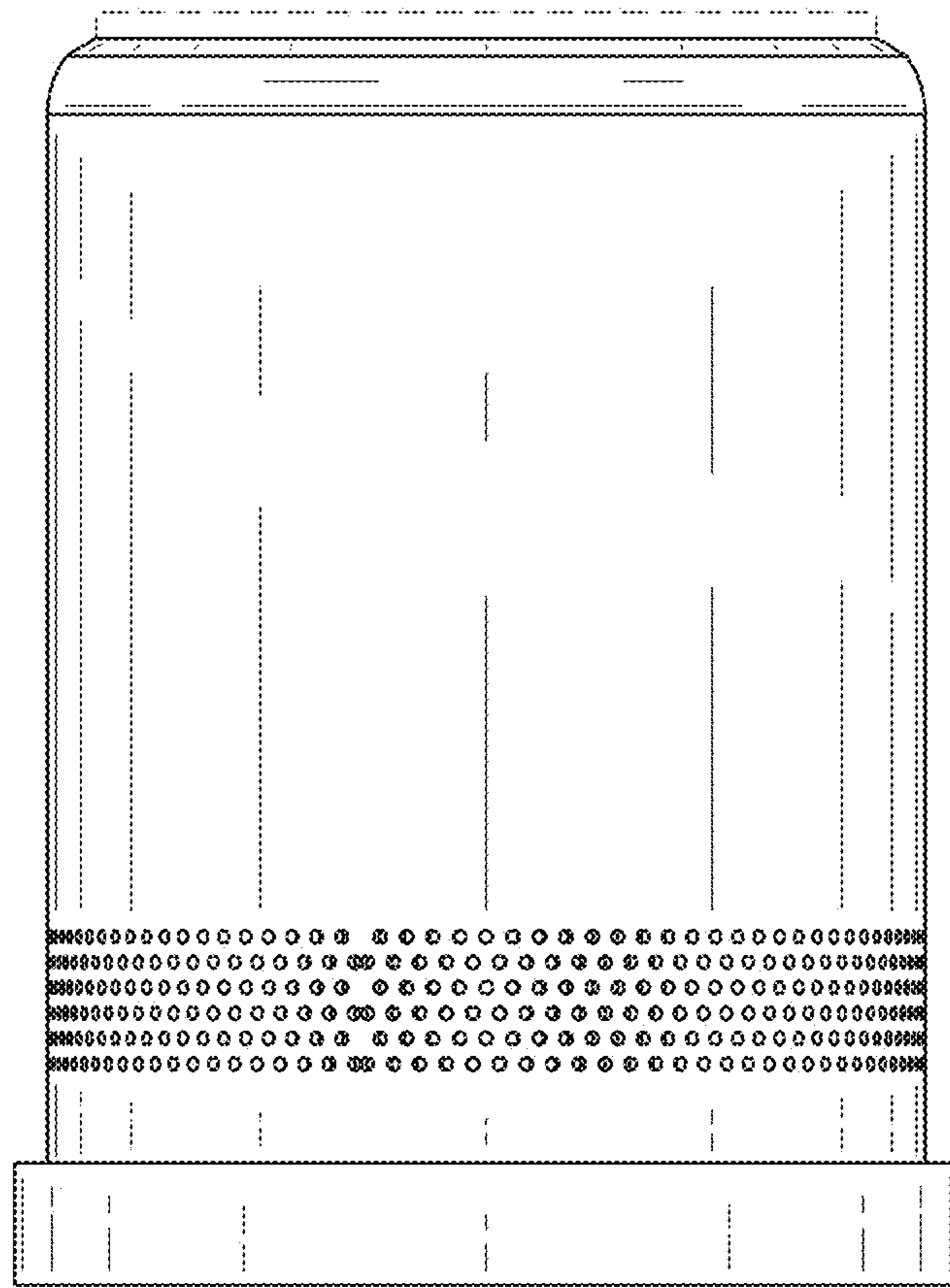


FIG. 7

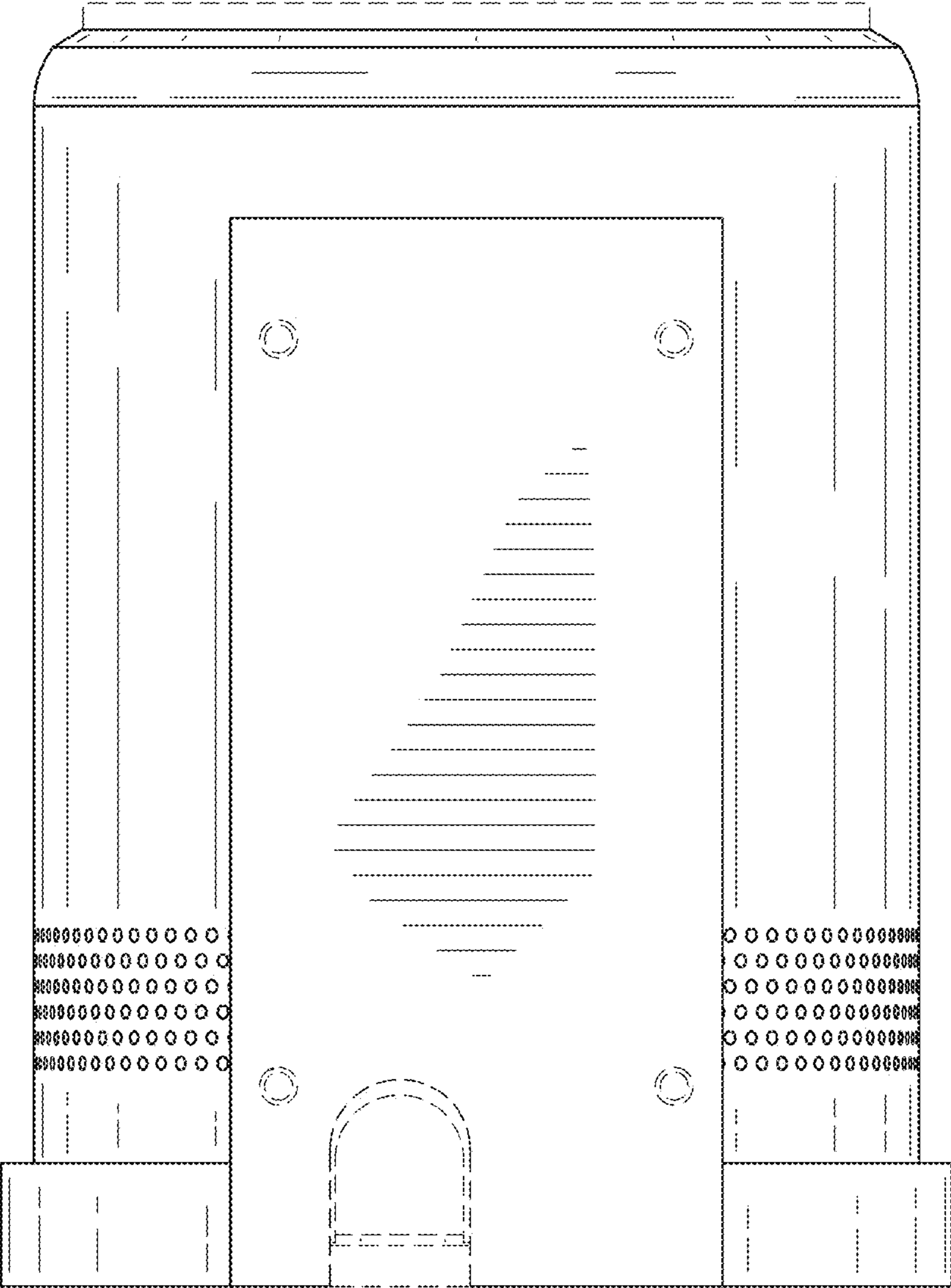


FIG. 8

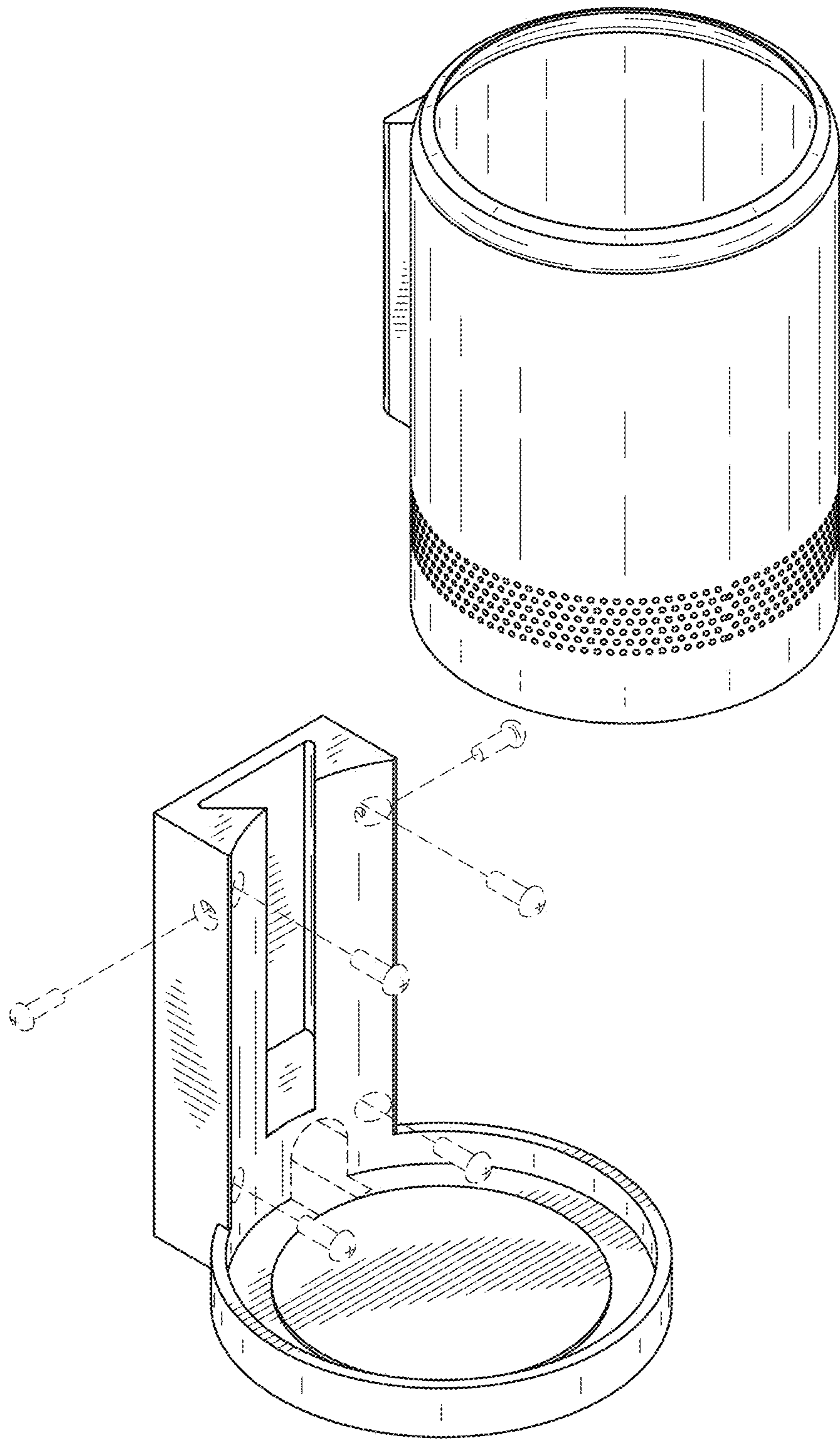


FIG. 9