

US00D922358S

(12) **United States Design Patent**
Li

(10) **Patent No.:** **US D922,358 S**

(45) **Date of Patent:** **** Jun. 15, 2021**

(54) **EARPHONES**

(71) Applicant: **STB INTERNATIONAL LIMITED,**
Hong Kong (CN)

(72) Inventor: **Junfeng Li,** Shenzhen (CN)

(73) Assignee: **STB INTERNATIONAL LIMITED,**
Hong Kong (CN)

(**) Term: **15 Years**

(21) Appl. No.: **29/746,306**

(22) Filed: **Aug. 13, 2020**

(51) **LOC (13) Cl.** **14-01**

(52) **U.S. Cl.**
USPC **D14/223**

(58) **Field of Classification Search**
USPC D14/223, 205; D24/174; 128/864, 865,
128/866; 455/90.3, 575.1, 569.1
CPC H04R 1/10; H04R 25/00; H04R 1/1016;
H04R 1/1066; H04R 5/033; H04R
5/0335; H04R 25/02; H04R 1/105; H04R
1/1091
See application file for complete search history.

(56) **References Cited**

U.S. PATENT DOCUMENTS

D666,581 S	*	9/2012	Perez	D14/223
D698,760 S	*	2/2014	Lee	D14/223
D711,356 S	*	8/2014	Yang	D14/223
D719,139 S	*	12/2014	Henry	D14/223
D719,550 S	*	12/2014	Yang	D14/223
D725,082 S	*	3/2015	Palmborg	D14/223
D726,145 S	*	4/2015	Hsieh	D14/205
D727,871 S	*	4/2015	Orbach	D14/205
D733,101 S	*	6/2015	Pi	D14/223
D733,102 S	*	6/2015	Palmborg	D14/223
D733,103 S	*	6/2015	Jeong	D14/224
D735,169 S	*	7/2015	Shieh	D14/223
D737,251 S	*	8/2015	Thompson	D14/223

D742,861 S	*	11/2015	Miyake	D14/223
D764,445 S	*	8/2016	Czaniecki	D14/223
D773,439 S	*	12/2016	Walker	D14/223
D777,710 S	*	1/2017	Palmborg	D14/223
D778,267 S	*	2/2017	Hsieh	D14/223
D781,269 S	*	3/2017	Choe	D14/223
D782,997 S	*	4/2017	Shin	D14/205
D782,998 S	*	4/2017	Shin	D14/205
D788,079 S	*	5/2017	Son	D14/223
D795,225 S	*	8/2017	Sumii	D14/223
D796,488 S		9/2017	Yoshimura		
D798,843 S	*	10/2017	Valenzuela	D14/223
D800,097 S	*	10/2017	Chen	D14/223
D806,879 S	*	1/2018	Horbinski	D24/174
D810,054 S	*	2/2018	Yuan	D14/223
D813,206 S	*	3/2018	Tang	D14/223

(Continued)

FOREIGN PATENT DOCUMENTS

CN	306216809	*	12/2020
CN	306284634	*	1/2021
JP	D1667403	*	8/2020

Primary Examiner — Paula Allen Greene

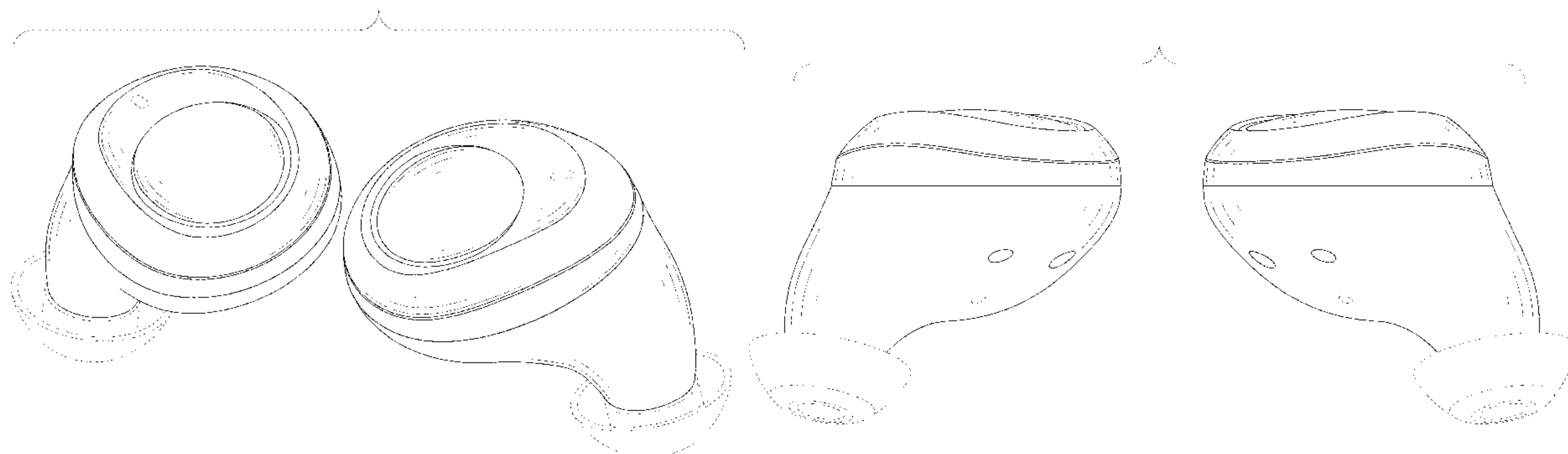
(57) **CLAIM**

The ornamental design for earphones, as shown and described.

DESCRIPTION

FIG. 1 is a perspective view of earphones showing my new design;
FIG. 2 is another perspective view thereof;
FIG. 3 is a front elevational view thereof;
FIG. 4 is a rear elevational view thereof;
FIG. 5 is a left side elevational view thereof;
FIG. 6 is a right side elevational view thereof;
FIG. 7 is a top plan view thereof; and,
FIG. 8 is a bottom plan view thereof.
The broken lines in the drawings depict boundaries of the earphones that form no part of the claimed design.

1 Claim, 8 Drawing Sheets



(56)

References Cited

U.S. PATENT DOCUMENTS

D817,309 S * 5/2018 Czaniecki D14/223
D818,990 S * 5/2018 Tzeng D14/205
D841,627 S * 2/2019 Wen D14/223
10,234,133 B2 * 3/2019 Hirsch F21V 33/0056
D845,932 S * 4/2019 Lu D14/223
D846,532 S * 4/2019 Xiao D14/223
D847,126 S * 4/2019 Loermann D14/223
D848,981 S * 5/2019 Kim D14/223
D862,422 S * 10/2019 Lindenberger D14/223
D862,424 S * 10/2019 You D14/223
D863,263 S * 10/2019 Yu D14/223
D864,167 S * 10/2019 Wu D14/223
D868,752 S * 12/2019 Zhu D14/223
D872,063 S * 1/2020 Arimoto D14/223
D880,457 S * 4/2020 Zhu D14/223
D882,553 S 4/2020 Wu
D883,960 S 5/2020 Du
D884,681 S * 5/2020 Zhang D14/223
D887,395 S * 6/2020 Wang D14/223
D890,724 S * 7/2020 Li D14/223
D892,086 S * 8/2020 Bonahoom D14/223
D892,769 S * 8/2020 Cai D14/223
D895,580 S * 9/2020 Yu D14/223
D897,322 S * 9/2020 Wei D14/223
D899,405 S * 10/2020 Vaclavik D14/223
D900,064 S * 10/2020 Laffon de Mazieres D14/223
D902,182 S * 11/2020 Wang D14/223
10,827,249 B1 * 11/2020 Pine H04R 1/1016
D903,638 S * 12/2020 Li D14/223
D906,292 S * 12/2020 Wang D14/223
2018/0035193 A1 * 2/2018 Tsubone H04R 1/10
2018/0131798 A1 * 5/2018 Hviid H04R 1/10
2018/0242069 A1 * 8/2018 Hviid H04R 1/1041
2020/0177981 A1 * 6/2020 Ma H04R 1/1058
2020/0374632 A1 * 11/2020 Wang H04R 1/105

* cited by examiner

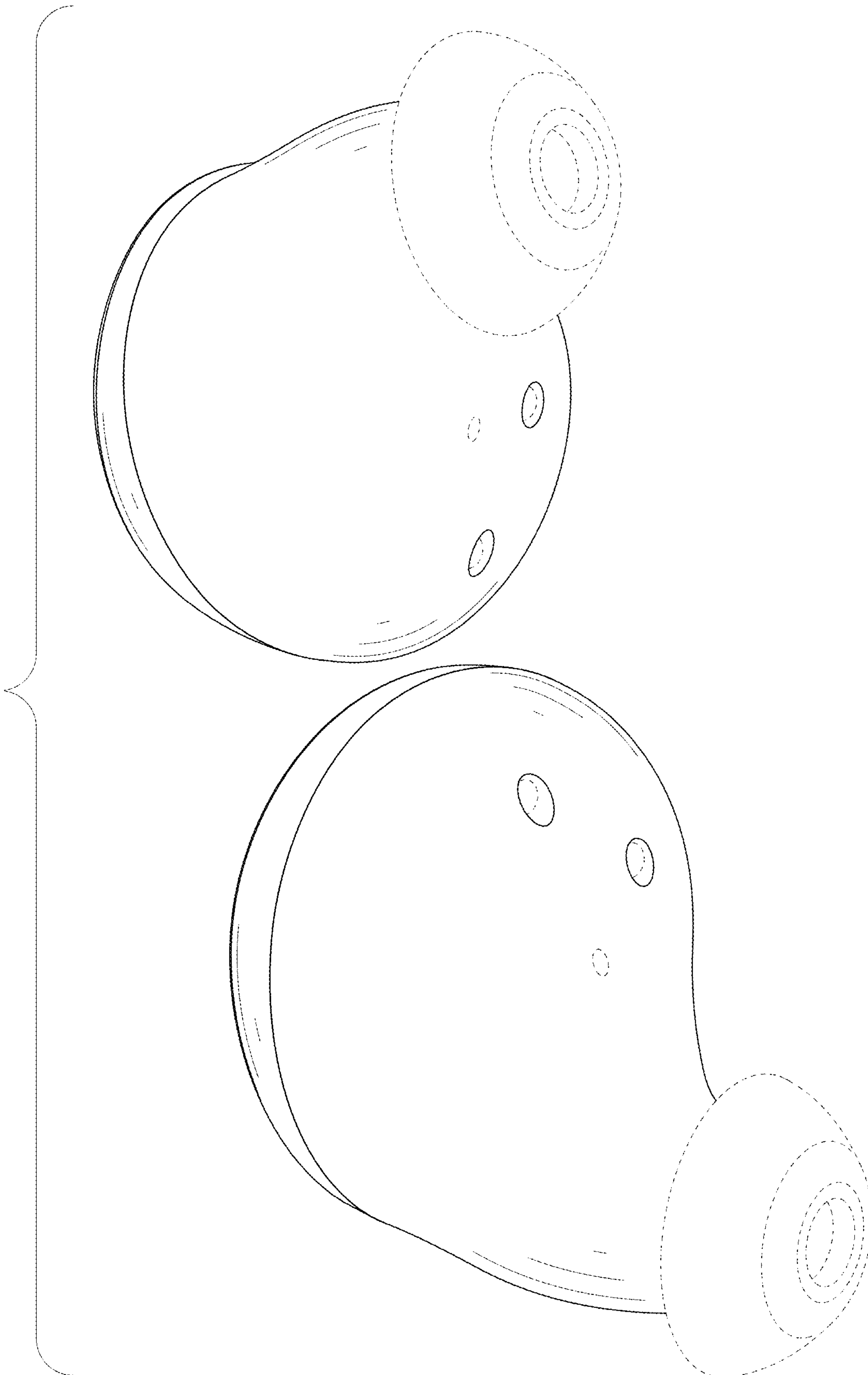


FIG. 1

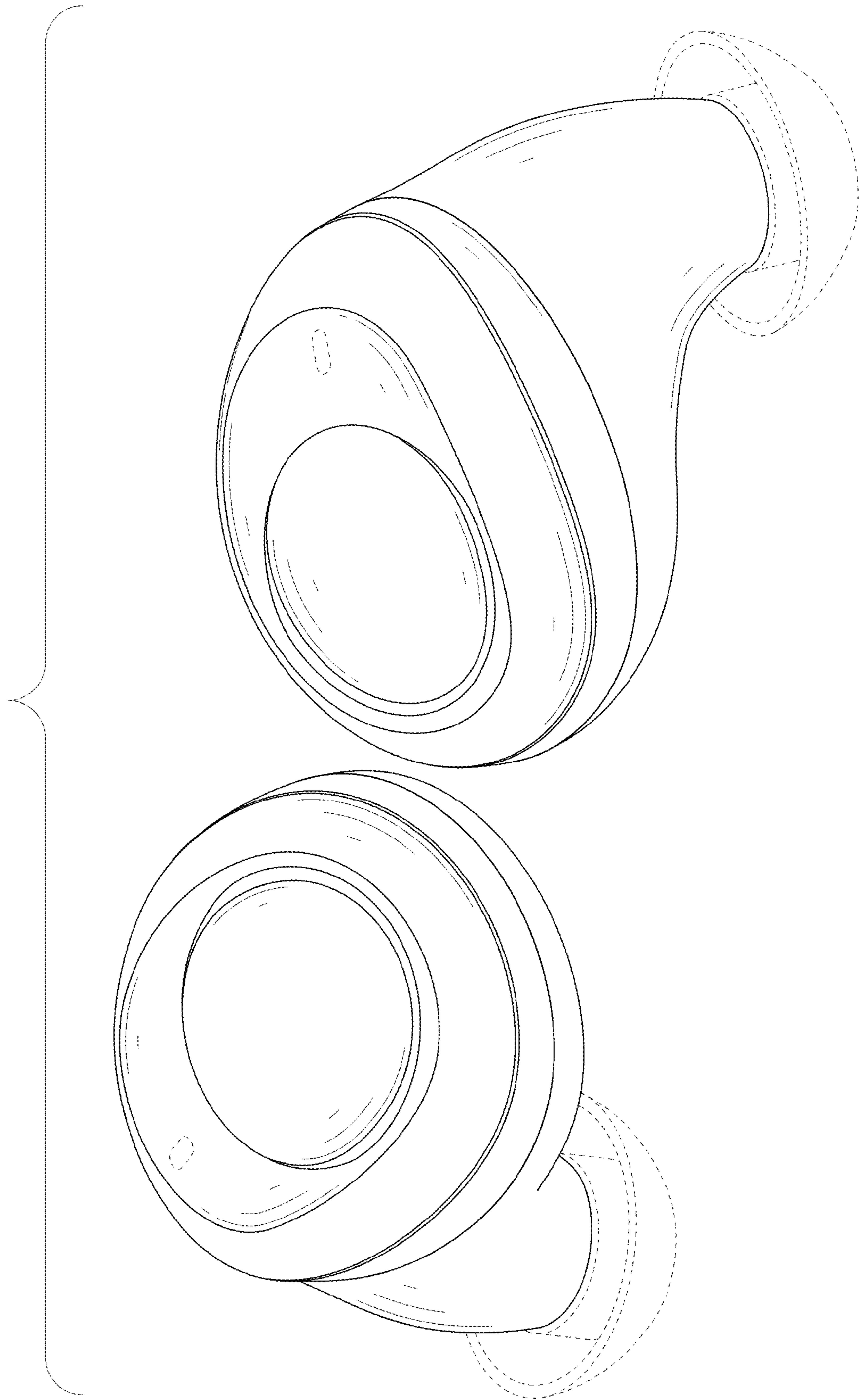


FIG. 2

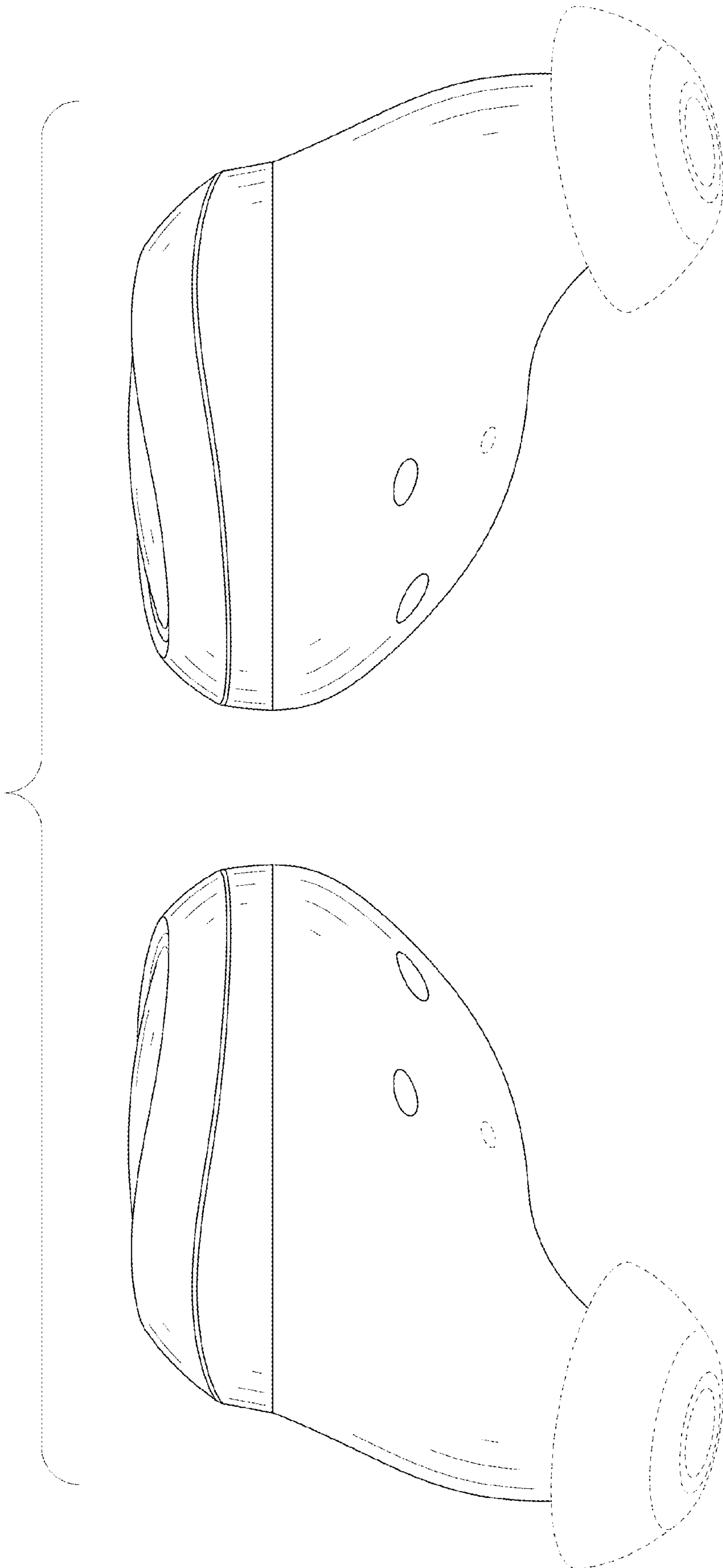


FIG. 3

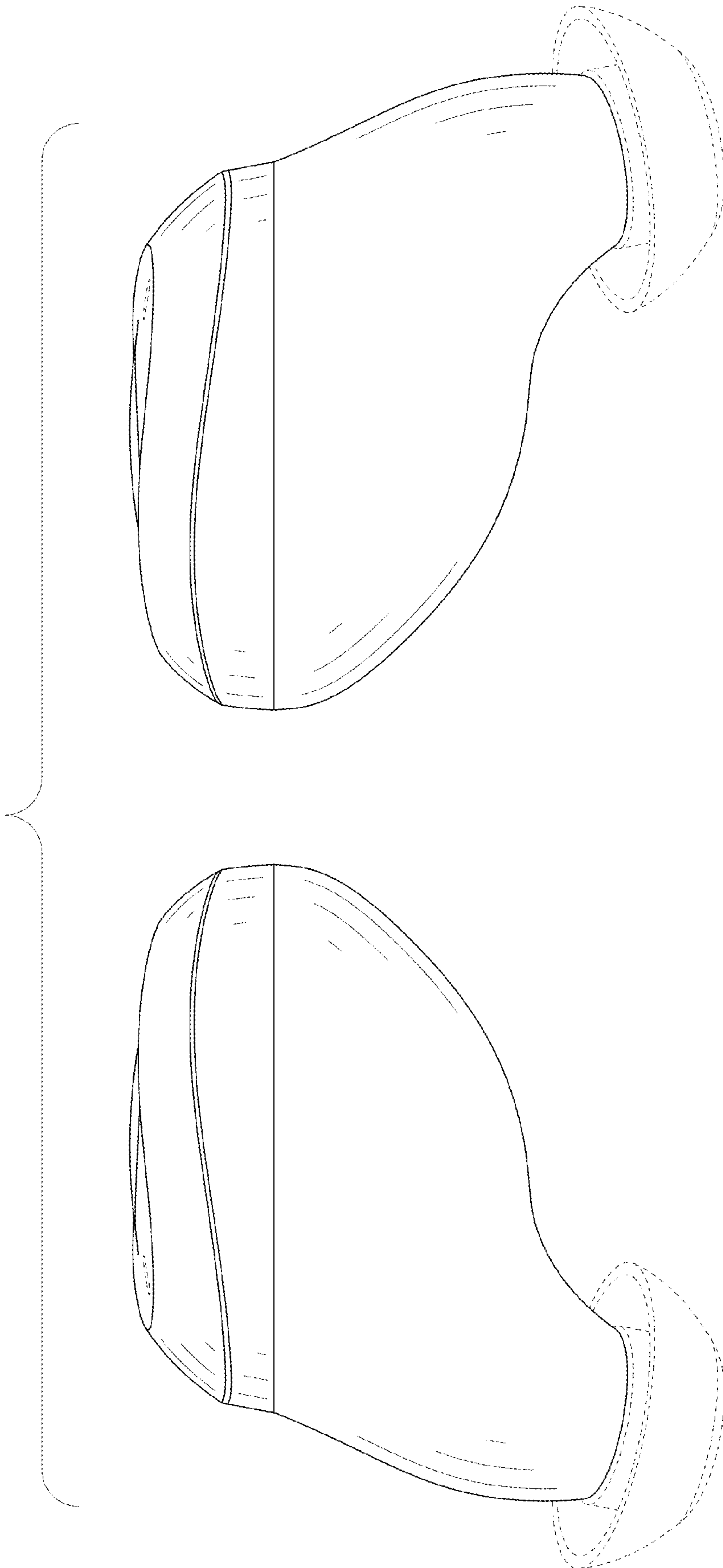


FIG. 4

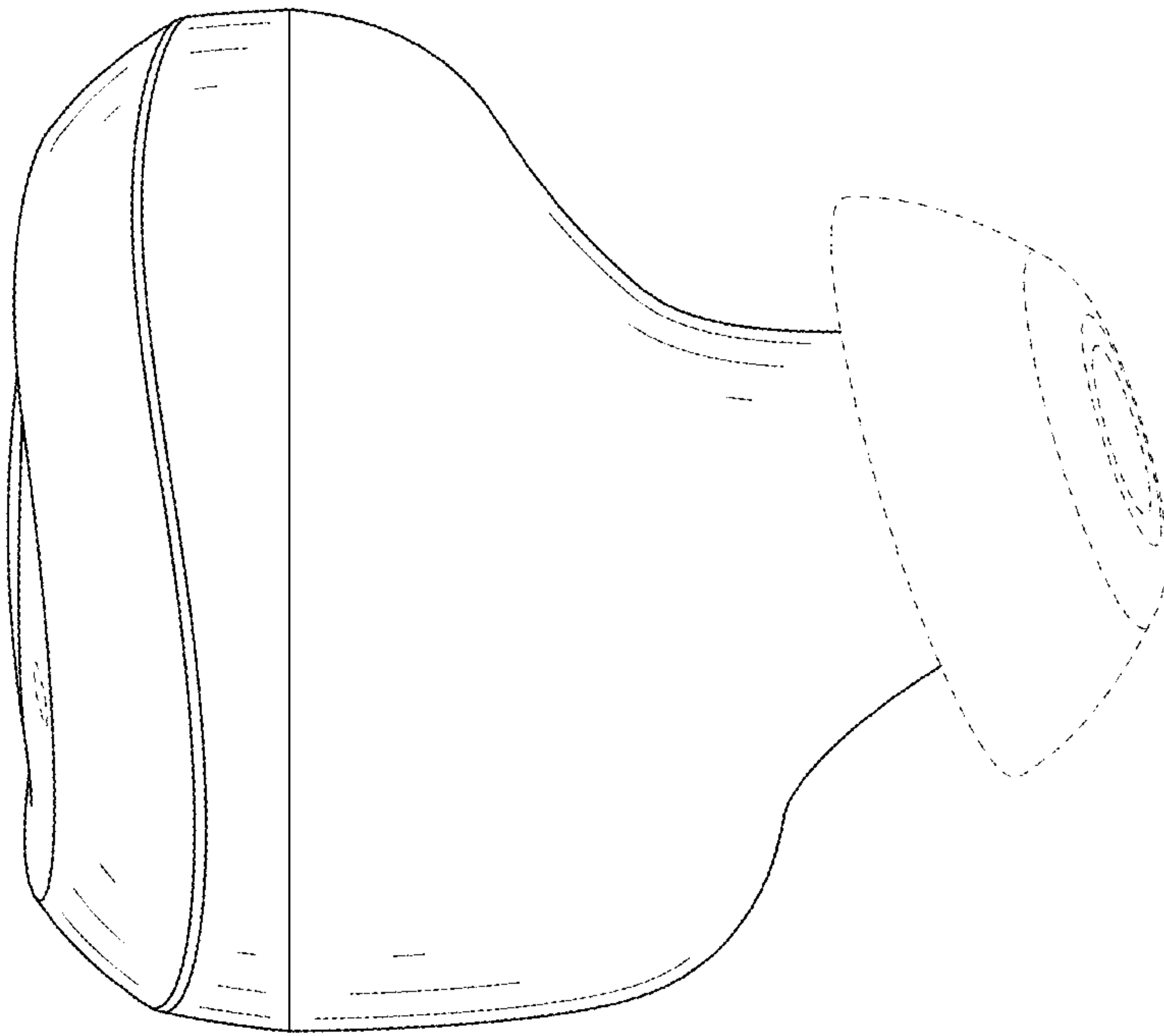


FIG. 5

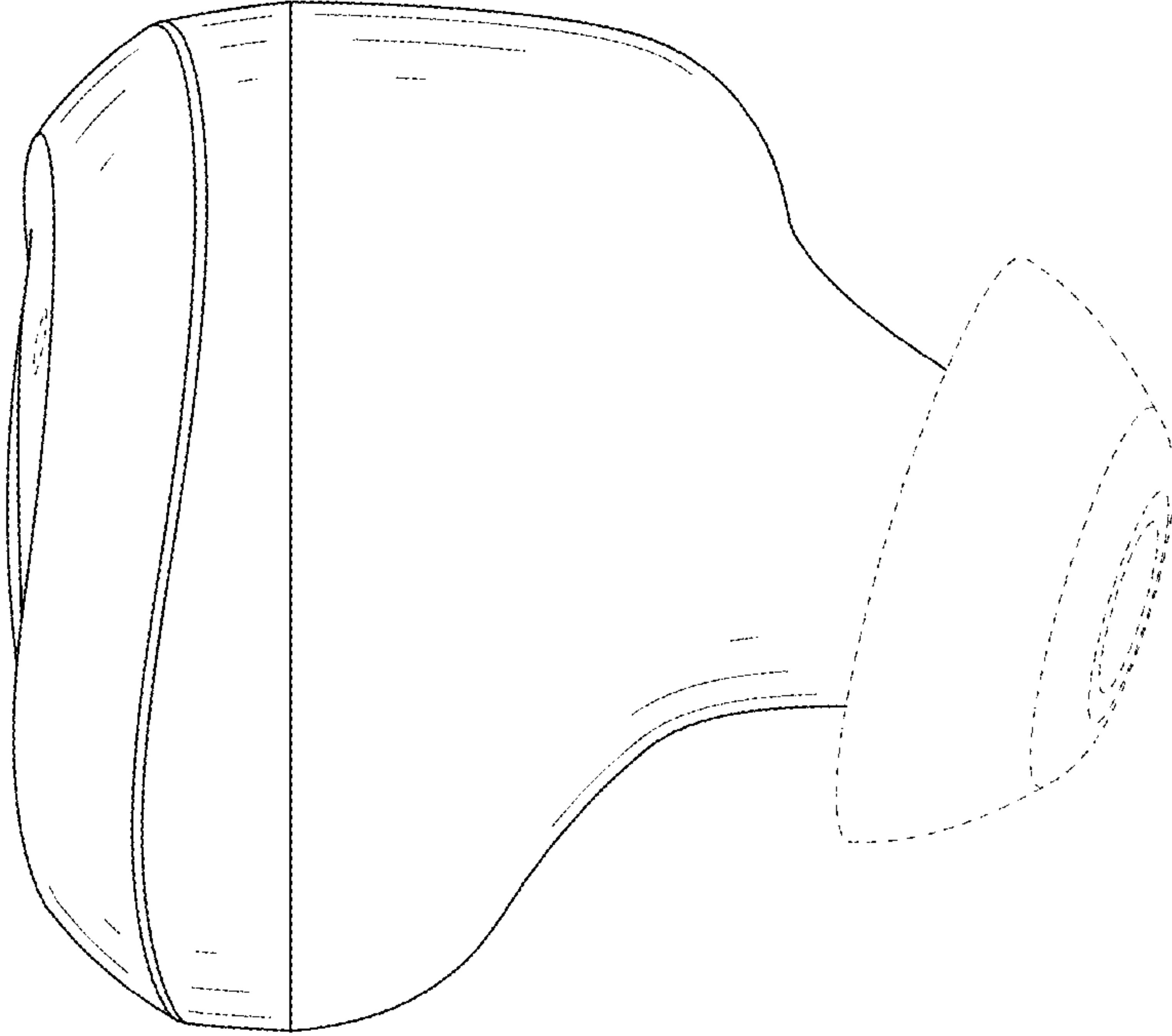


FIG. 6

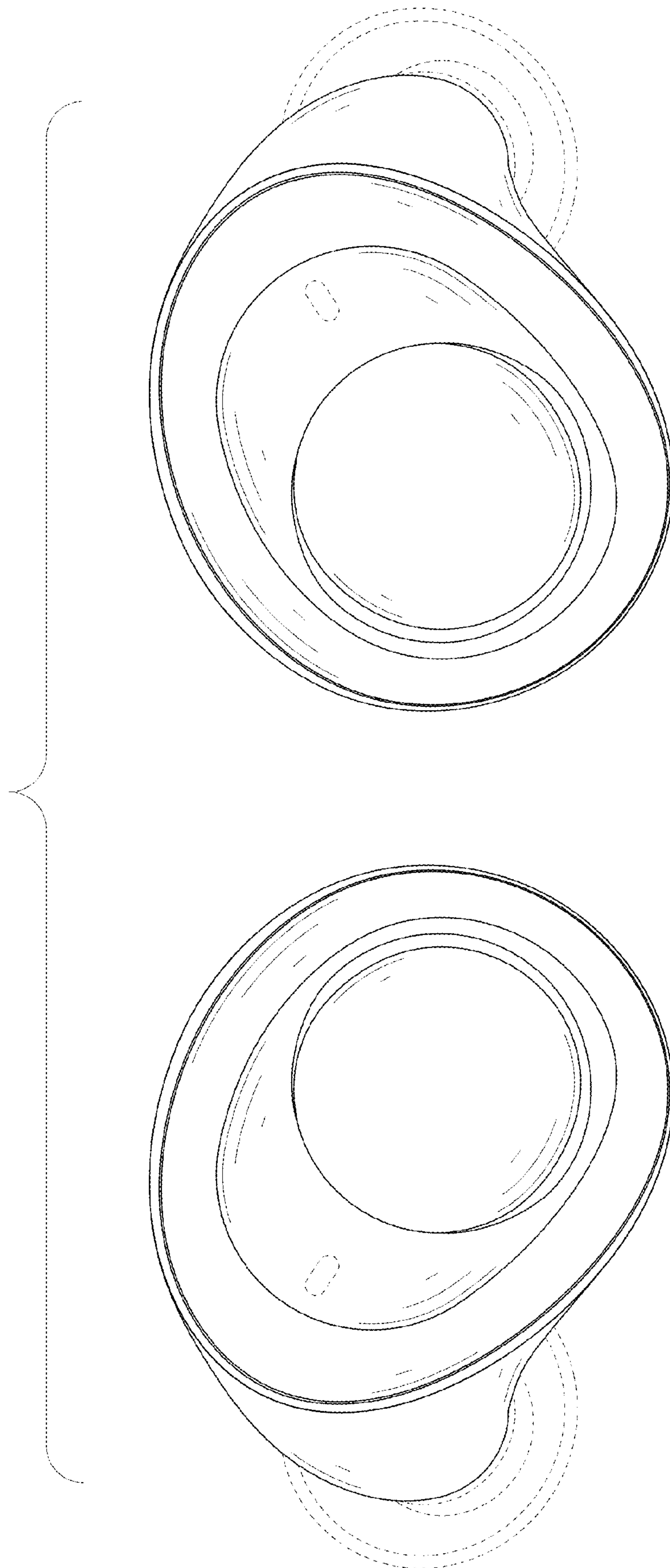


FIG. 7

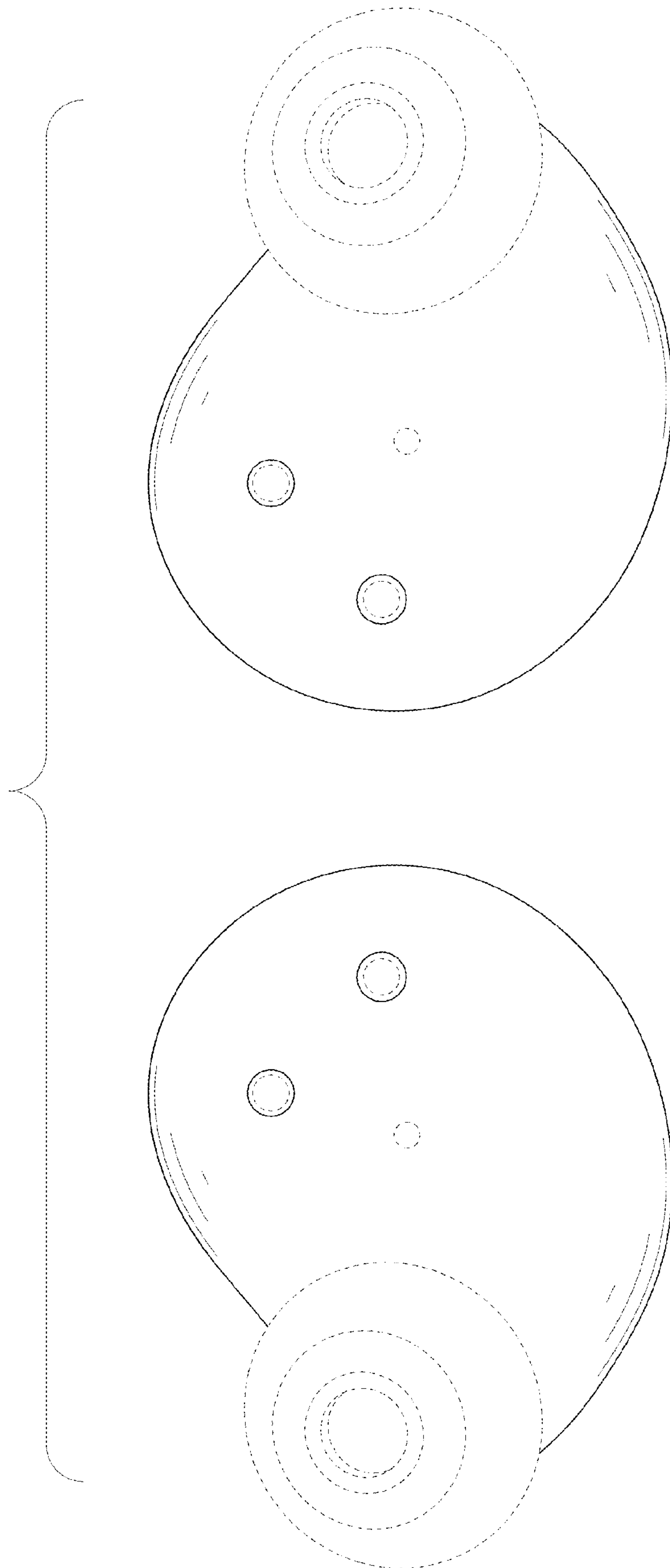


FIG. 8