



US00D922357S

(12) **United States Design Patent**  
**Yang**

(10) **Patent No.:** **US D922,357 S**  
(45) **Date of Patent:** **\*\* Jun. 15, 2021**

(54) **PAIR OF WIRELESS BLUETOOTH  
EARBUDS**

(71) Applicant: **Chao Yang**, He'nan (CN)

(72) Inventor: **Chao Yang**, He'nan (CN)

(73) Assignee: **Chao Yang**

(\*\*) Term: **15 Years**

(21) Appl. No.: **29/700,640**

(22) Filed: **Aug. 5, 2019**

(51) **LOC (13) Cl.** ..... **14-01**

(52) **U.S. Cl.**  
USPC ..... **D14/223**

(58) **Field of Classification Search**  
USPC ..... D14/223, 205, 206; D24/174; 128/864,  
128/865, 866; 181/129, 130, 135;  
379/430, 431; 381/380, 381, 322-324,  
381/330; 455/90.3, 575, 1, 569.1  
CPC ..... H04R 1/10; H04R 25/00; H04R 1/1016;  
H04R 1/1066; H04R 5/033; H04R  
5/0335; H04R 1/1091; H04R 1/1058;  
H04R 1/105; H04R 1/1083  
See application file for complete search history.

(56) **References Cited**

**U.S. PATENT DOCUMENTS**

D645,458 S \* 9/2011 Silvestri ..... H04R 1/1016  
D14/223  
D686,191 S \* 7/2013 Schaal ..... D14/205

D695,265 S \* 12/2013 Schaal ..... D14/205  
D695,266 S \* 12/2013 Schaal ..... D14/205  
D758,355 S \* 6/2016 Lee ..... D14/223  
D764,436 S \* 8/2016 Dryden ..... D14/205  
D786,216 S \* 5/2017 Silva ..... D14/205  
D847,116 S \* 4/2019 Silva ..... D14/205  
D870,079 S \* 12/2019 Yun ..... D14/223  
D876,399 S \* 2/2020 Duddy ..... D14/223  
D882,545 S \* 4/2020 Li ..... D14/205  
2016/0261942 A1 \* 9/2016 Hayden ..... H04R 1/1016  
2019/0349659 A1 \* 11/2019 Ott ..... H04R 5/0335

\* cited by examiner

*Primary Examiner* — Katie Jane Stofko

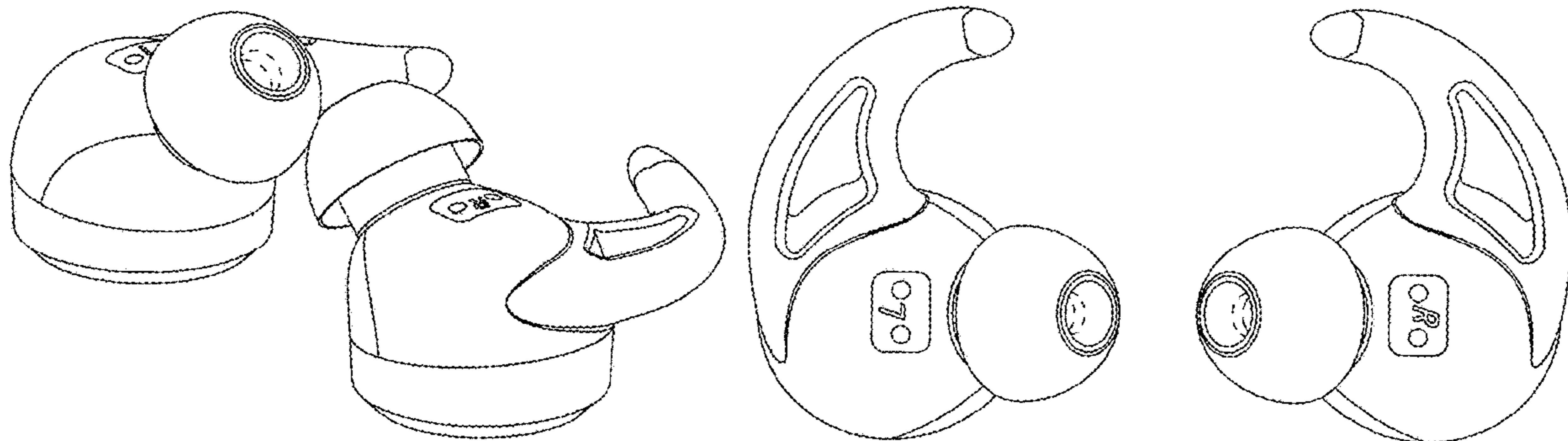
(57) **CLAIM**

The ornamental design for a pair of wireless bluetooth earbuds, as shown and described.

**DESCRIPTION**

FIG. 1 is a perspective view of a pair of wireless bluetooth earbuds showing the claimed design;  
FIG. 2 is a top plan view thereof;  
FIG. 3 is a rear elevational view thereof;  
FIG. 4 is a bottom plan view thereof;  
FIG. 5 is a right side view thereof;  
FIG. 6 is a front elevational view thereof; and,  
FIG. 7 is a left side view thereof.  
The broken lines in the drawings illustrate portions of the pair of wireless bluetooth earbuds that form no part of the claimed design.

**1 Claim, 7 Drawing Sheets**



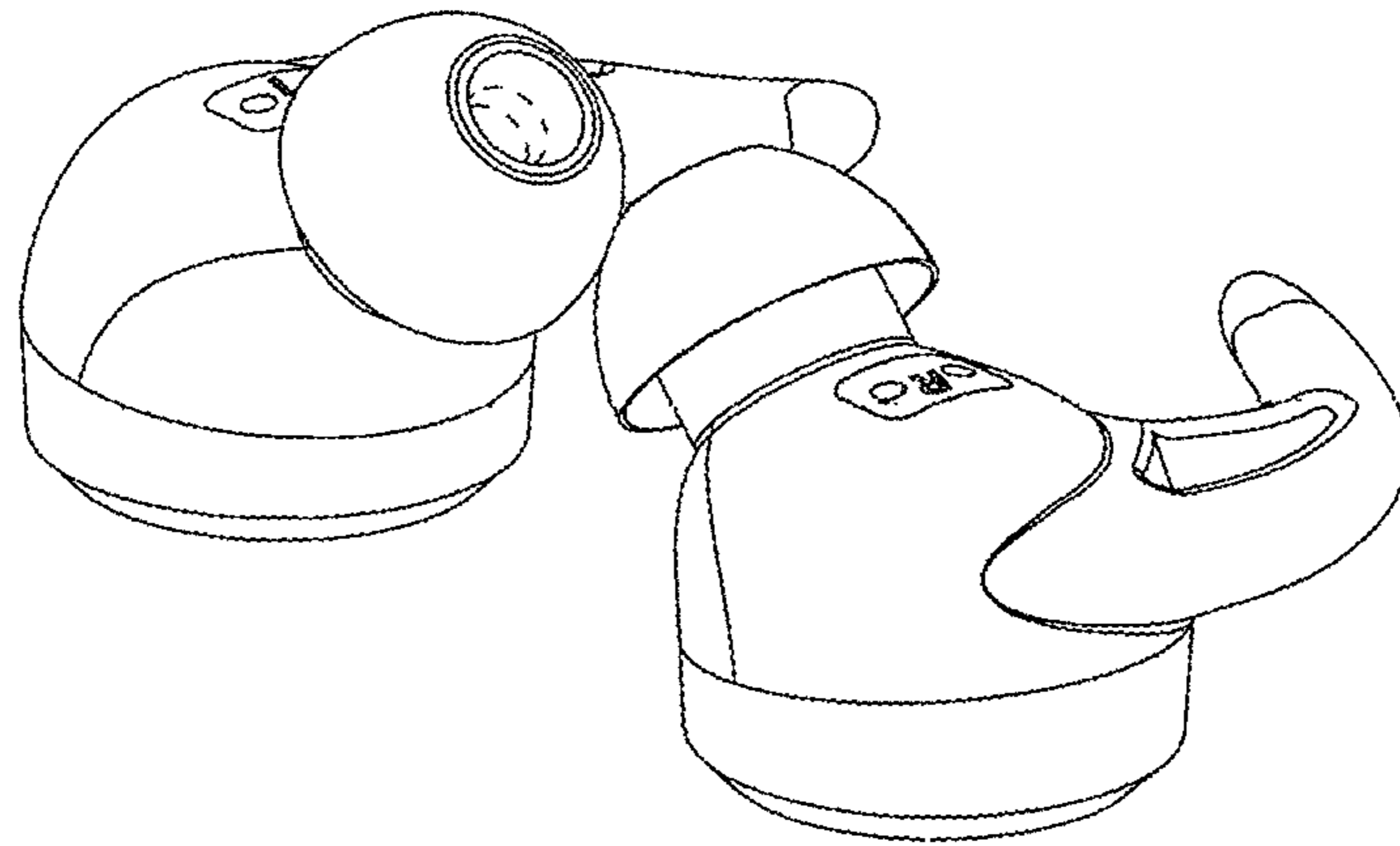


FIG.1

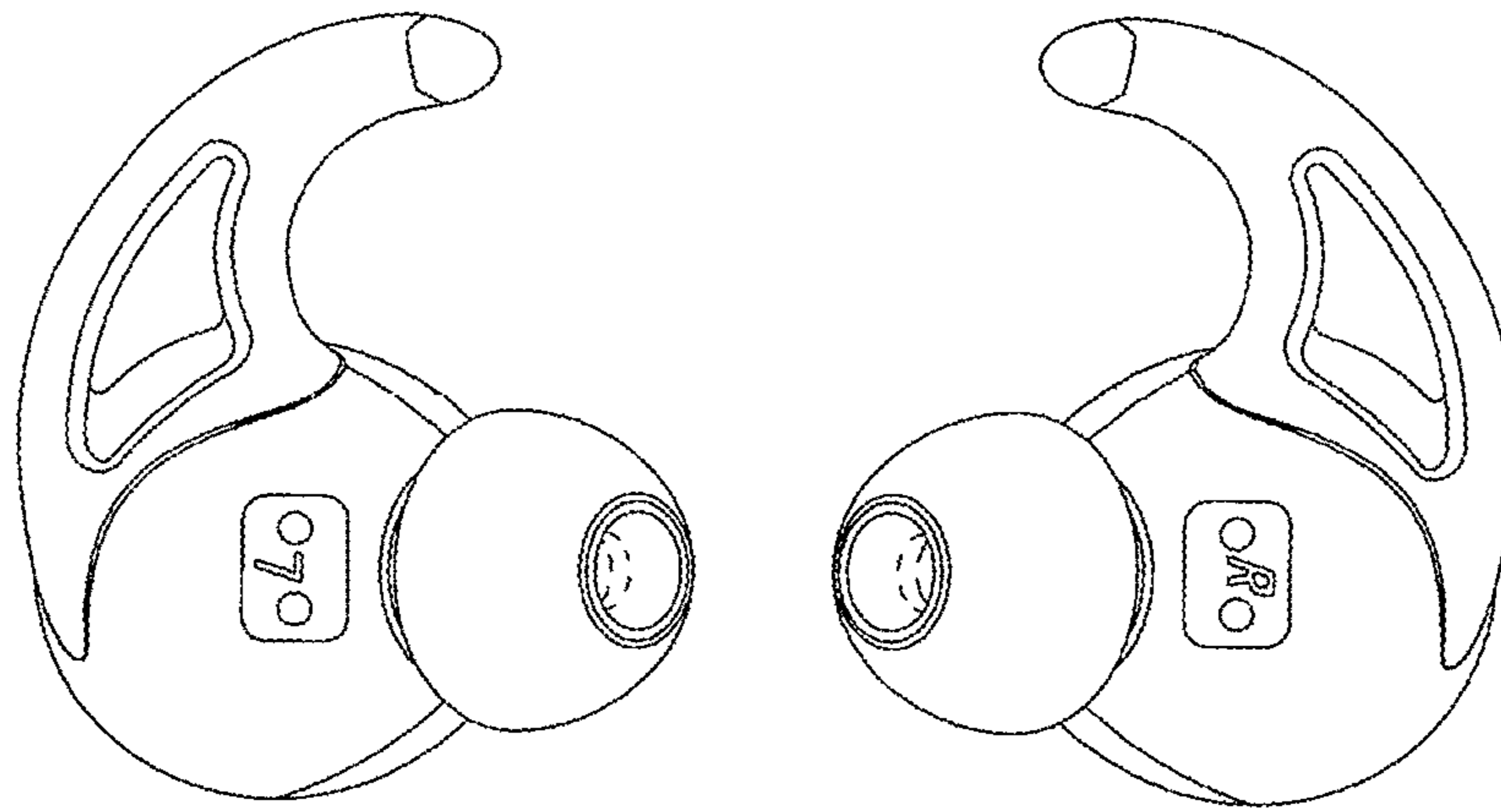


FIG.2

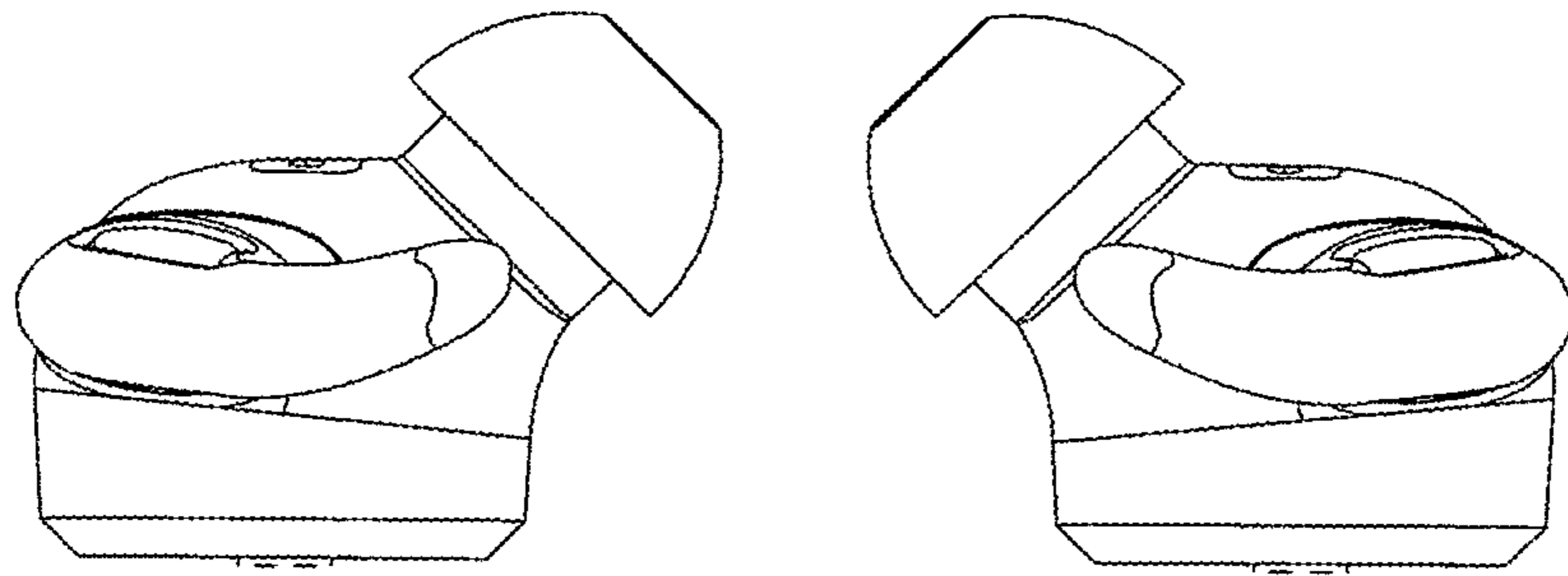


FIG.3

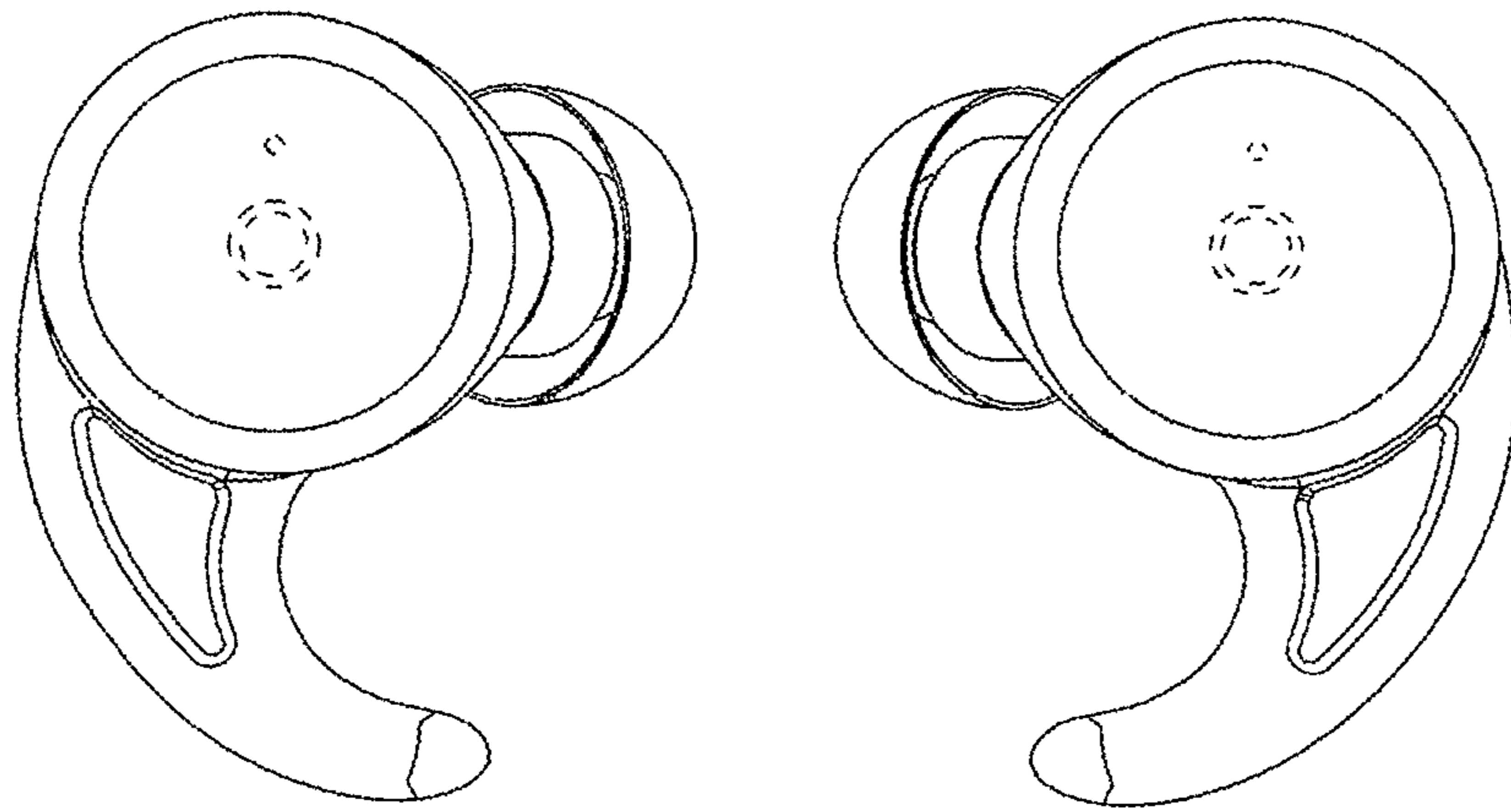


FIG.4

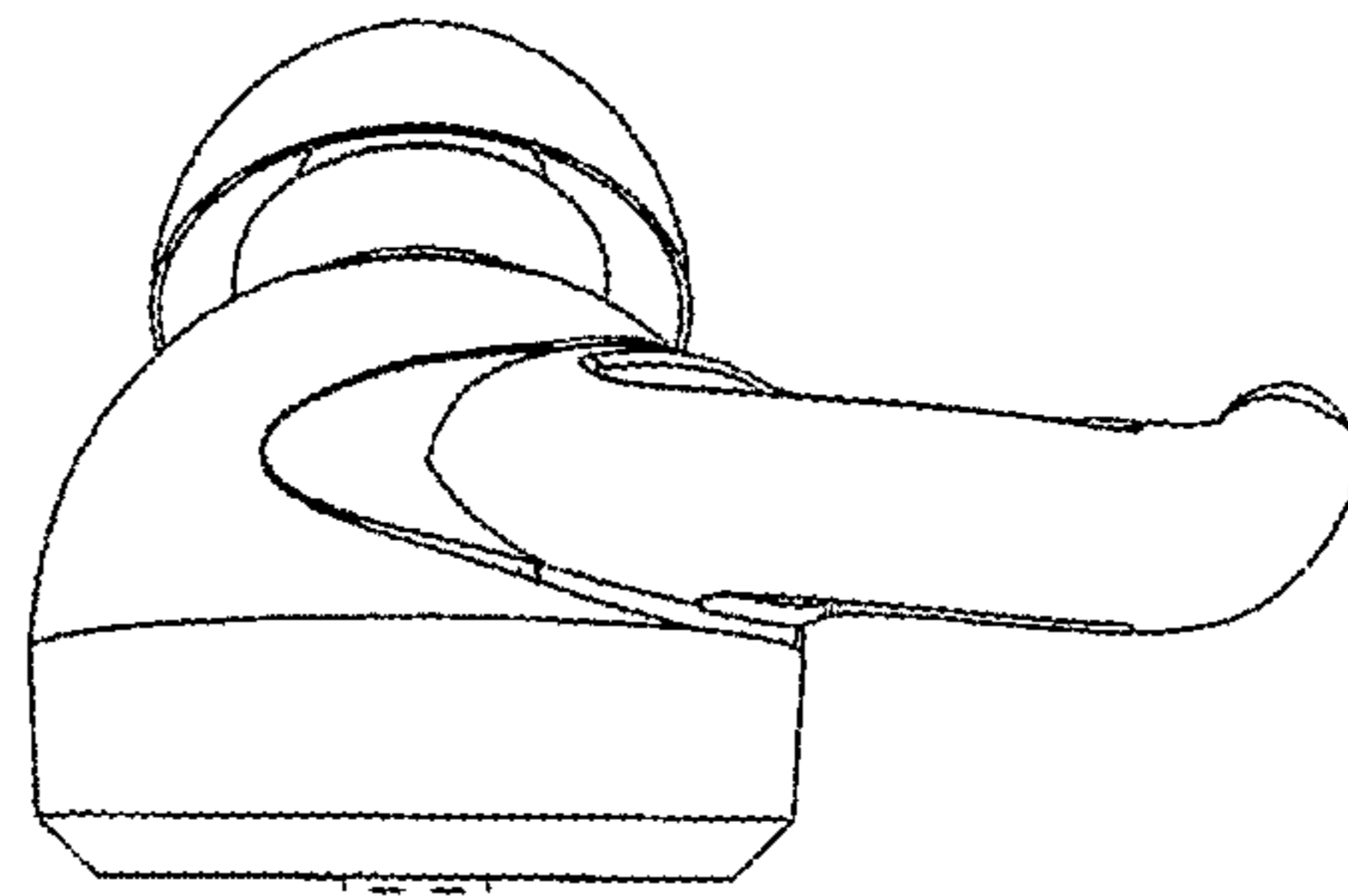


FIG. 5

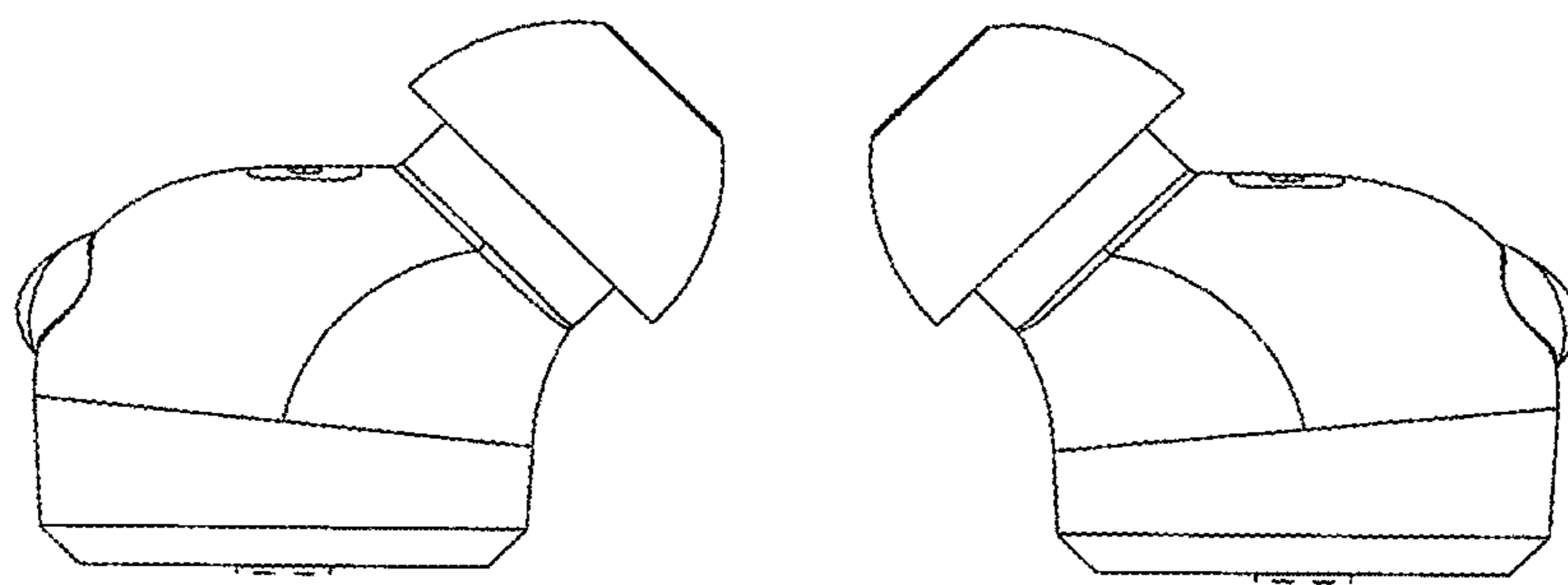


FIG.6

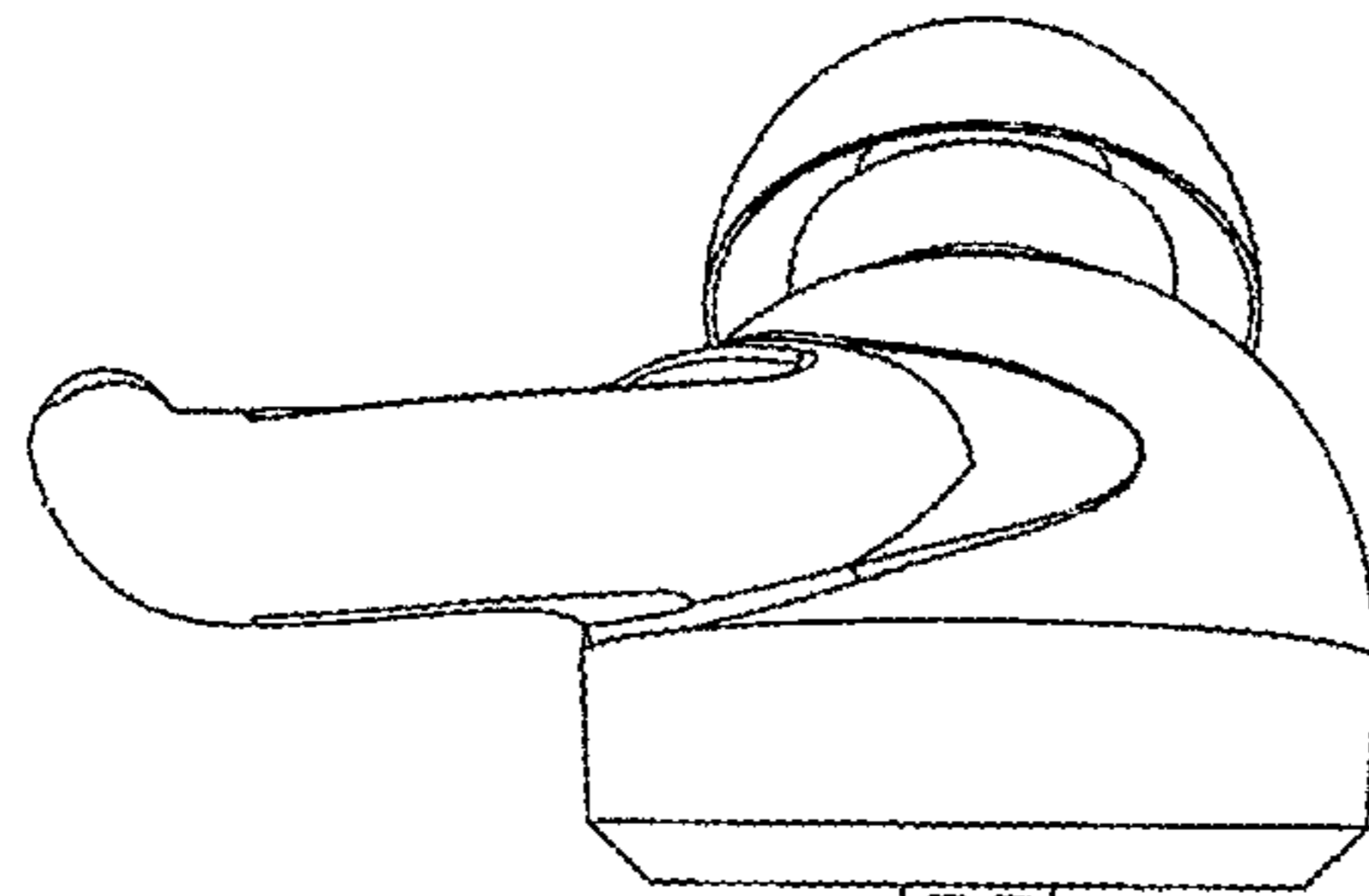


FIG. 7