



US00D922356S

(12) **United States Design Patent**
Lee et al.

(10) **Patent No.:** **US D922,356 S**
(45) **Date of Patent:** **** Jun. 15, 2021**

(54) **FRAME FOR BUILT-IN HOME APPLIANCES**

(56) **References Cited**

(71) Applicant: **LG ELECTRONICS INC.**, Seoul (KR)
(72) Inventors: **Bumsang Lee**, Seoul (KR); **Taeho Kim**, Seoul (KR); **Junghan Ryu**, Seoul (KR); **Chulmin Lim**, Seoul (KR); **Mijin Jung**, Seoul (KR); **Junghyun Joo**, Seoul (KR); **Jipyong Hong**, Seoul (KR)
(73) Assignee: **LG ELECTRONICS INC.**, Seoul (KR)

U.S. PATENT DOCUMENTS

| | | | | |
|--------------|---------|------------|-------|----------|
| D486,678 S * | 2/2004 | Hightower | | D8/349 |
| D495,114 S * | 8/2004 | Washington | | D8/381 |
| D495,115 S * | 8/2004 | Washington | | D8/381 |
| D495,850 S * | 9/2004 | Washington | | D8/381 |
| D585,667 S * | 2/2009 | Levy | | D6/682.2 |
| D593,402 S * | 6/2009 | Smalley | | D8/372 |
| D626,822 S * | 11/2010 | Simard | | D8/381 |
| D628,459 S * | 12/2010 | Minkley | | D8/349 |
| D665,926 S * | 8/2012 | Yoder | | D25/61 |
| D767,381 S * | 9/2016 | Libreiro | | D8/382 |
| D767,382 S * | 9/2016 | Libreiro | | D8/382 |

(Continued)

(**) Term: **15 Years**
(21) Appl. No.: **29/711,946**
(22) Filed: **Nov. 4, 2019**

Primary Examiner — Michael C Stout
Assistant Examiner — Fritzgerald L Butac
(74) *Attorney, Agent, or Firm* — Birch, Stewart, Kolasch & Birch LLP

(51) **LOC (13) Cl.** **14-01**
(52) **U.S. Cl.**
USPC **D14/217; D8/381**

(57) **CLAIM**

The ornamental design for a frame for built-in home appliances, as shown and described.

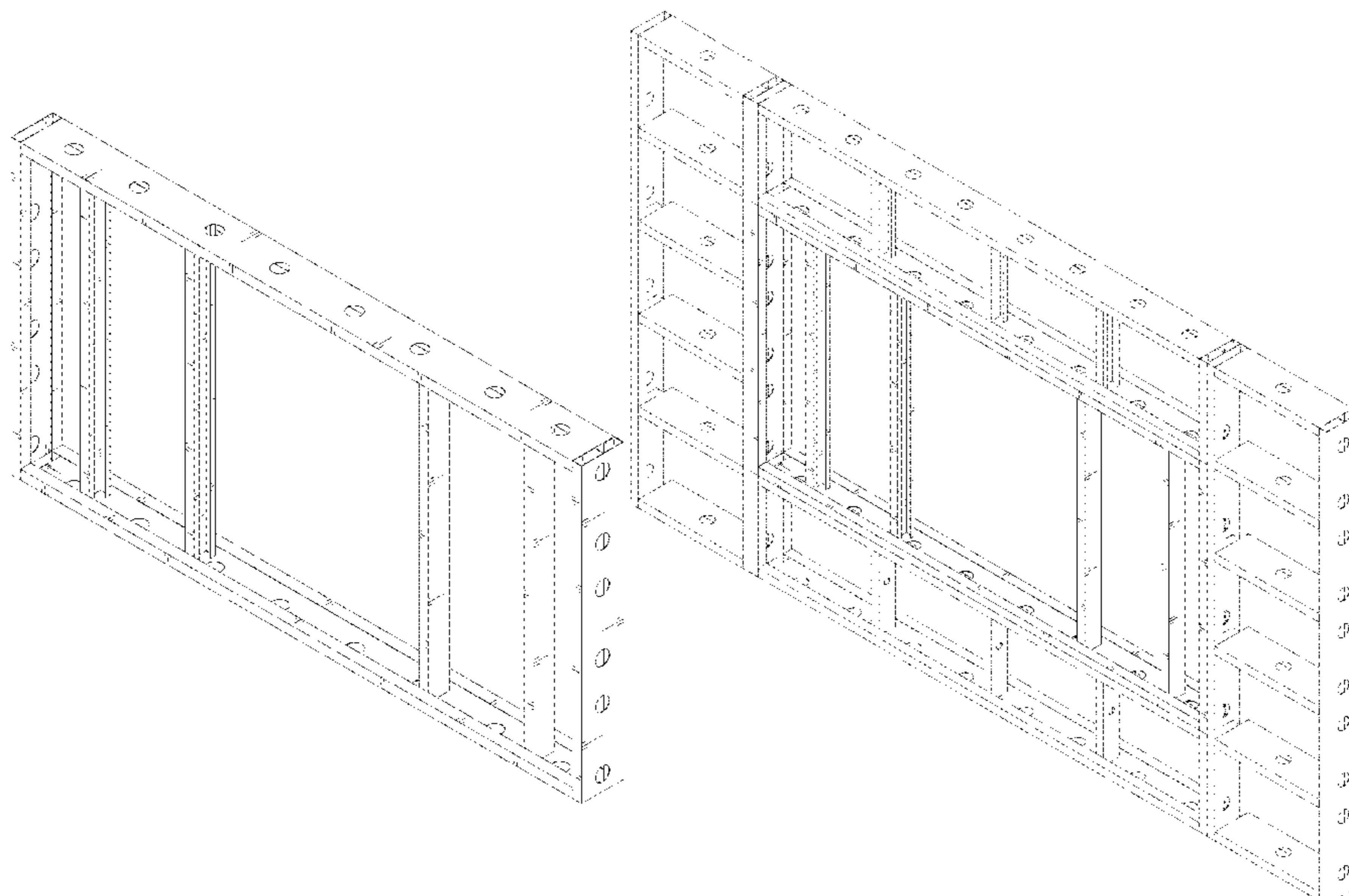
(58) **Field of Classification Search**
USPC D8/349, 354, 355, 374, 381, 400, 499; D13/162, 164, 171, 177, 199; D14/133, D14/140, 217, 224, 224.1, 229, 238, D14/238.1, 239, 299, 336, 371, 374, 389, D14/432, 433, 434, 496, 511; D15/138; D23/217, 351-355, 357, 361, 385; D25/61, 118, 126, 131, 141, 156, 161, D25/162, 199
CPC H01H 9/52; H01H 45/04; H01H 45/12; H01H 50/12; H01H 2239/036; H05B 6/6447; H05B 6/6473; H05B 6/782; H05B 47/11; H05B 47/105; H05B 47/155; H05B 47/16; H05B 47/175; H05B 45/00; H05B 2203/026; H05B 1/0236; H05B 1/0275; H05B 45/10; H05B 45/20

DESCRIPTION

FIG. 1 is a perspective view of a frame for built-in home appliances showing our new design; FIG. 2 is a front view thereof where the rear view is a mirror image; FIG. 3 is a left side view thereof where the right side view is a mirror image; FIG. 4 is a top plan view thereof where the bottom plan view is a mirror image; FIG. 5 is another perspective view of a frame for built-in home appliances, shown in an environment of use; and, FIG. 6 is another perspective view of a frame for built-in home appliances, shown in an environment of use. The portions of FIGS. 5 and 6 drawn in broken lines show environmental structure only and form no part of the claimed design.

See application file for complete search history.

1 Claim, 6 Drawing Sheets



(56)

References Cited

U.S. PATENT DOCUMENTS

D835,499 S * 12/2018 Schroeder B60P 7/0815
D872,883 S * 1/2020 Bilge D25/119
D888,027 S * 6/2020 Pei D14/239
D900,062 S * 10/2020 Park D14/217
D900,063 S * 10/2020 Park D14/217
D905,539 S * 12/2020 Wheeler D8/354
2020/0344910 A1 * 10/2020 Joo E04C 2/46

* cited by examiner

FIG. 1

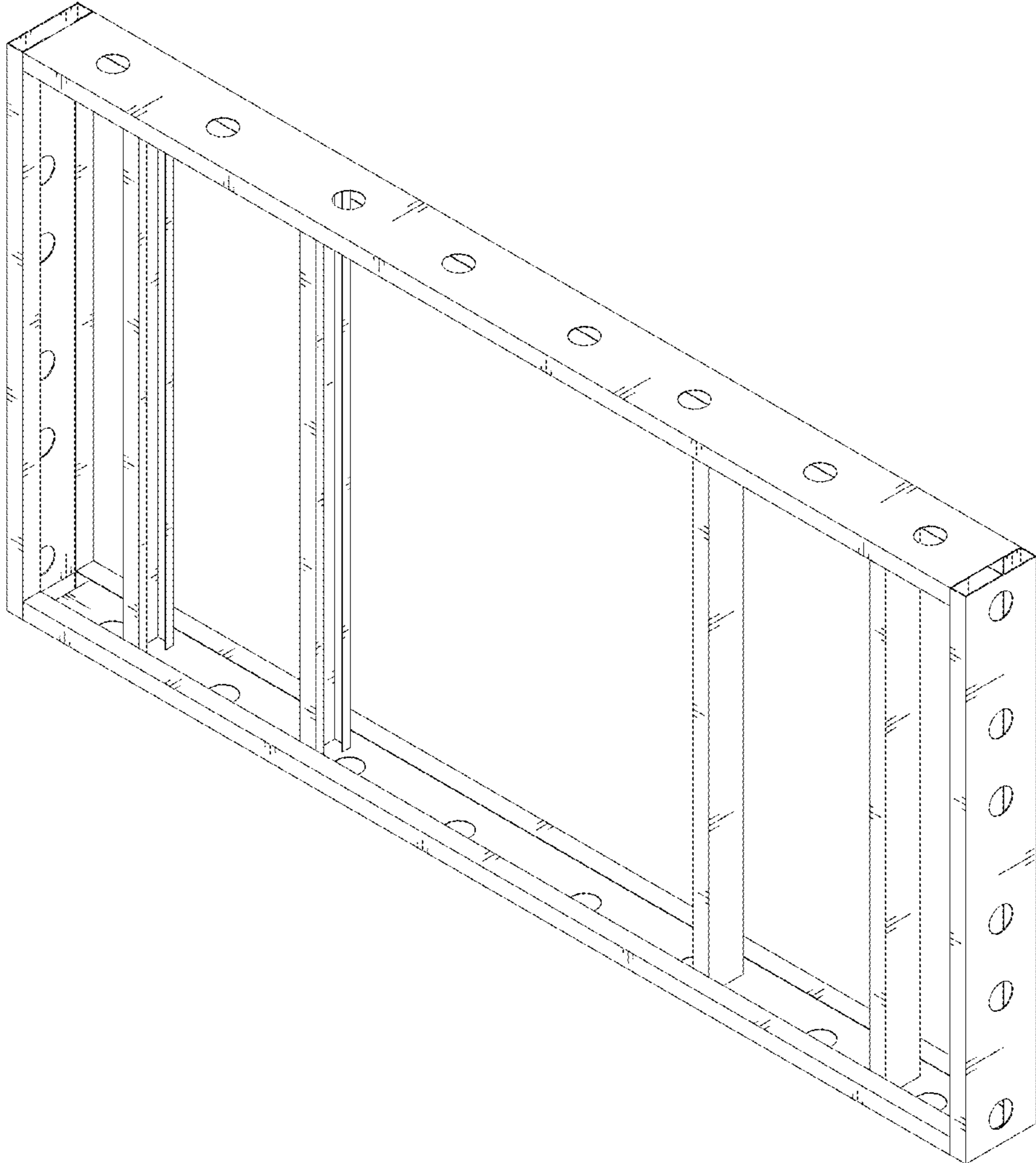


FIG. 2

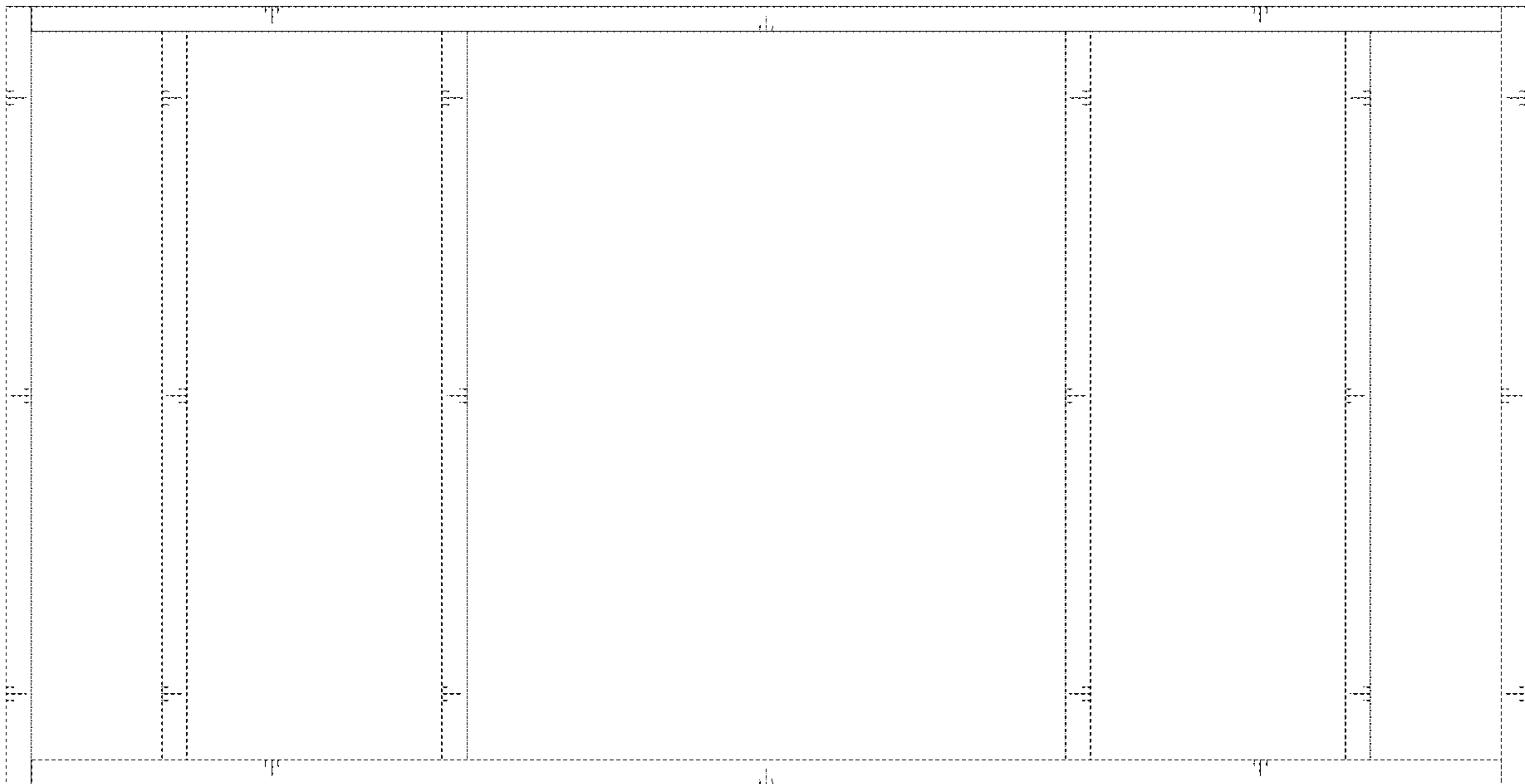


FIG. 3

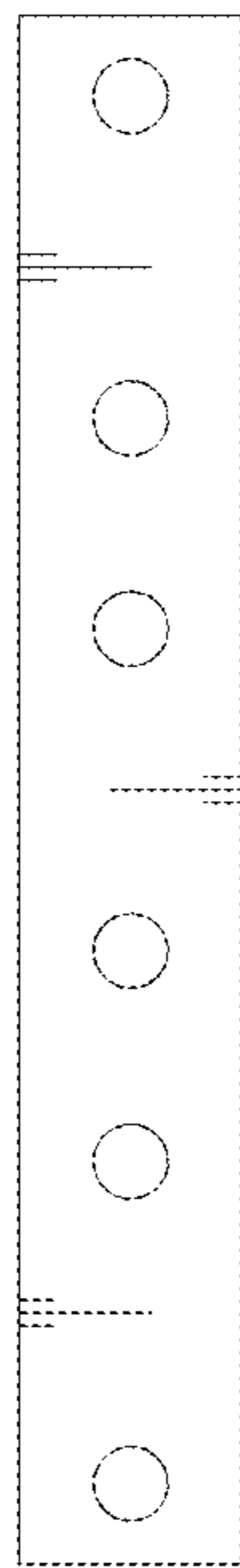


FIG. 4

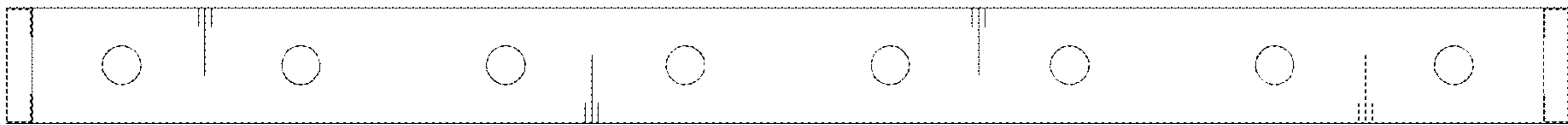


FIG. 5

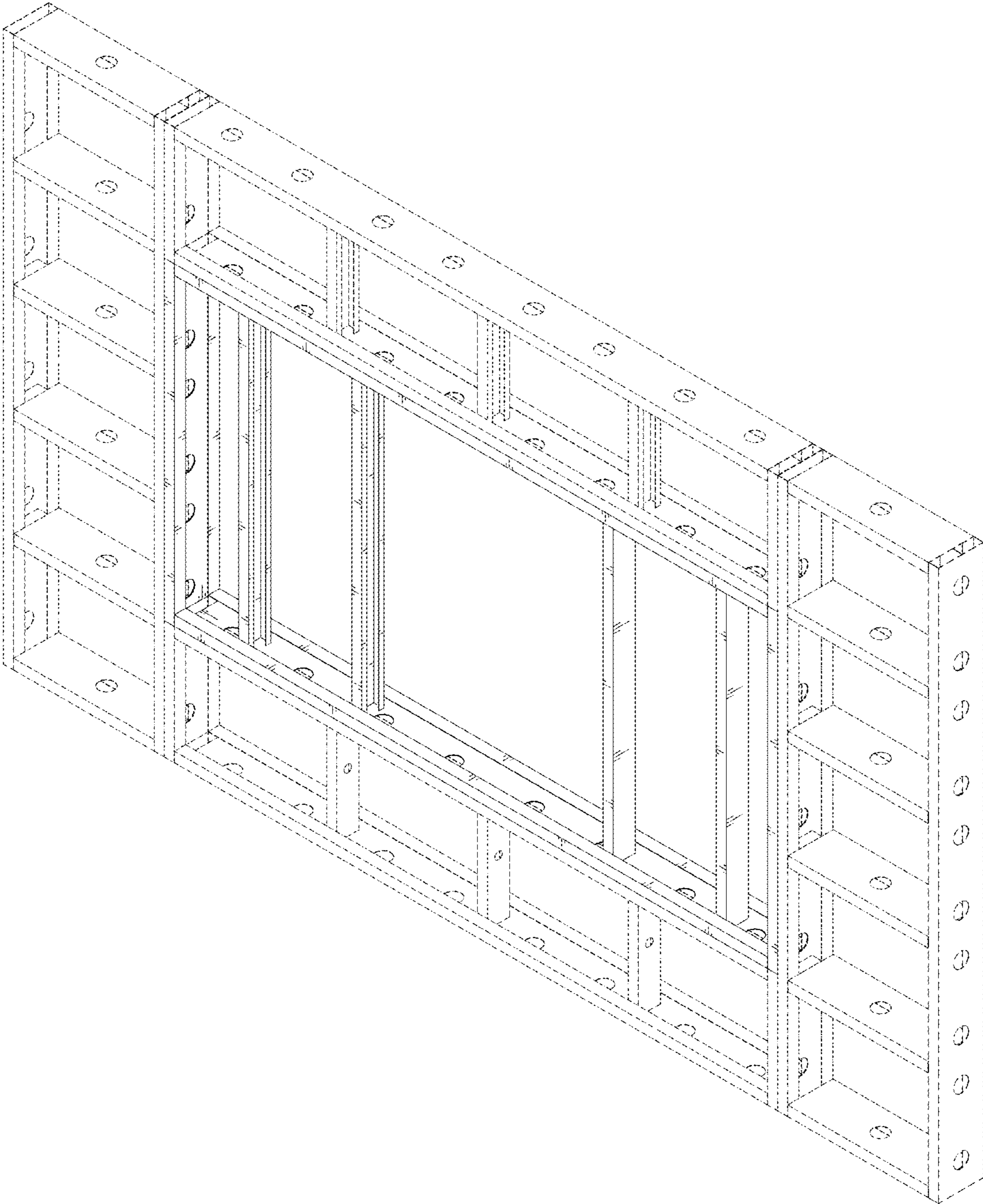


FIG. 6

