



US00D922355S

(12) **United States Design Patent**  
**Lee et al.**

(10) **Patent No.:** **US D922,355 S**  
(45) **Date of Patent:** **\*\* Jun. 15, 2021**

(54) **FRAME FOR BUILT-IN HOME APPLIANCES**

1/0236; H05B 1/0275; H05B 45/10;  
H05B 45/20

(71) Applicant: **LG ELECTRONICS INC.**, Seoul  
(KR)

See application file for complete search history.

(72) Inventors: **Bumsang Lee**, Seoul (KR); **Taeho Kim**, Seoul (KR); **Junghan Ryu**, Seoul (KR); **Chulmin Lim**, Seoul (KR); **Mijin Jung**, Seoul (KR); **Junghyun Joo**, Seoul (KR); **Jipyo Hong**, Seoul (KR)

(56) **References Cited**

U.S. PATENT DOCUMENTS

D486,678	S	*	2/2004	Hightower	.....	D8/349
D495,114	S	*	8/2004	Washington	.....	D8/381
D495,115	S	*	8/2004	Washington	.....	D8/381
D495,850	S	*	9/2004	Washington	.....	D8/381
D585,667	S	*	2/2009	Levy	.....	D6/682.2
D593,402	S	*	6/2009	Smalley	.....	D8/372
D626,822	S	*	11/2010	Simard	.....	D8/381
D628,459	S	*	12/2010	Minkley	.....	D8/349
D665,926	S	*	8/2012	Yoder	.....	D25/61
D767,381	S	*	9/2016	Libreiro	.....	D8/382

(Continued)

(73) Assignee: **LG ELECTRONICS INC.**, Seoul  
(KR)

*Primary Examiner* — Michael C Stout

*Assistant Examiner* — Fritzgerald L Butac

(\*\*) Term: **15 Years**

(74) *Attorney, Agent, or Firm* — Birch, Stewart, Kolasch & Birch LLP

(21) Appl. No.: **29/711,927**

(22) Filed: **Nov. 4, 2019**

(51) **LOC (13) Cl.** ..... **14-01**

(57) **CLAIM**

(52) **U.S. Cl.**  
USPC ..... **D14/217**; D8/381

The ornamental design for a frame for built-in home appliances, as shown and described.

(58) **Field of Classification Search**

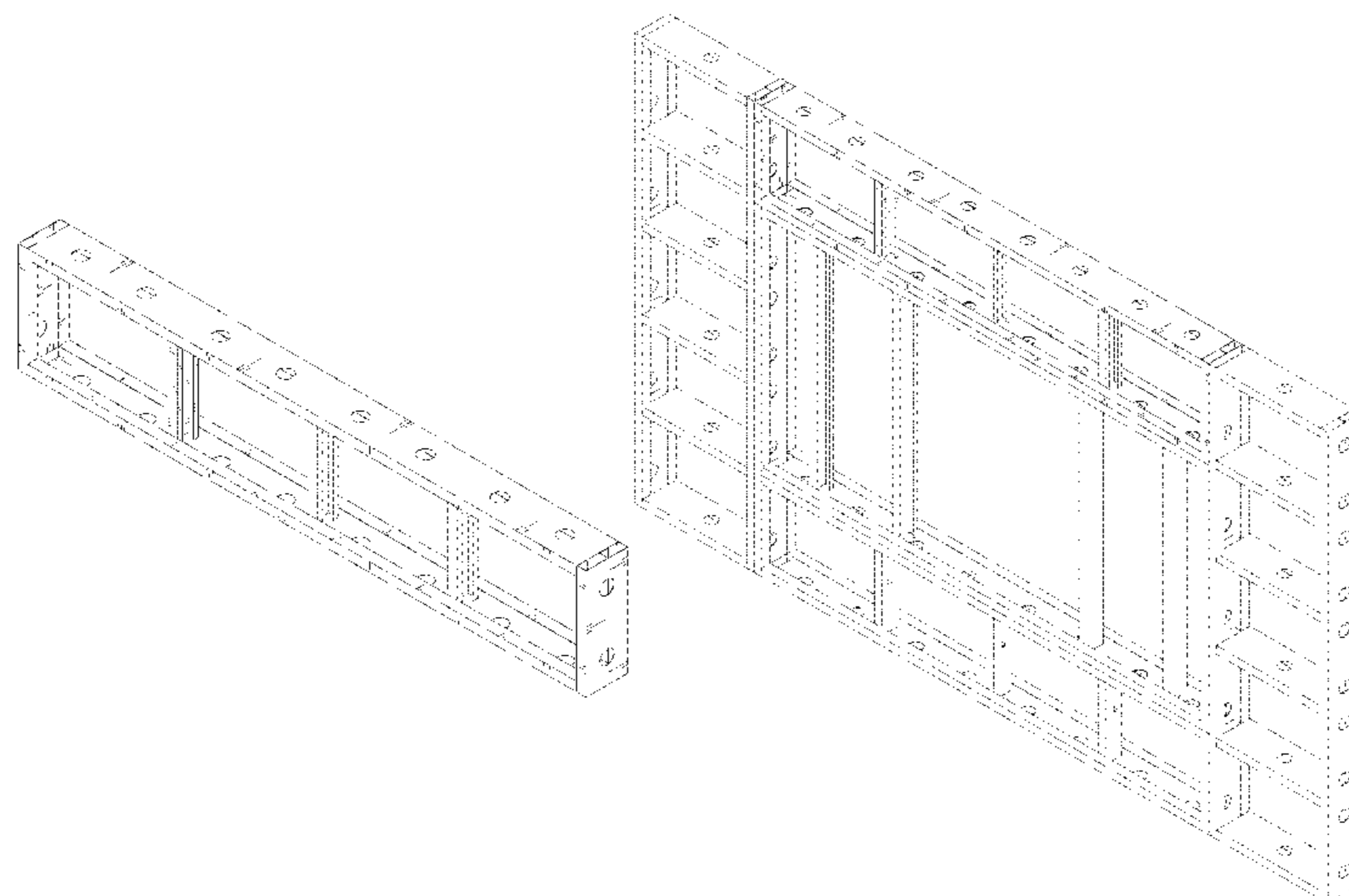
**DESCRIPTION**

USPC ..... D8/349, 354, 355, 374, 381, 400, 499;  
D13/162, 164, 171, 177, 199; D14/133,  
D14/140, 217, 224, 224.1, 229, 238,  
D14/238.1, 239, 299, 336, 371, 374, 389,  
D14/432, 433, 434, 496, 511; D15/138;  
D23/217, 351–355, 357, 361, 385;  
D25/61, 118, 126, 131, 141, 156, 161,  
D25/162, 199

CPC ..... H01H 9/52; H01H 45/04; H01H 45/12;  
H01H 50/12; H01H 2239/036; H05B  
6/6447; H05B 6/6473; H05B 6/782;  
H05B 47/11; H05B 47/105; H05B  
47/155; H05B 47/16; H05B 47/175;  
H05B 45/00; H05B 2203/026; H05B

FIG. 1 is a perspective view of a frame for built-in home appliances showing our new design;  
FIG. 2 is a front view thereof where the rear view is a mirror image;  
FIG. 3 is a left side view thereof;  
FIG. 4 is a right side view thereof;  
FIG. 5 is a top plan view thereof where the bottom plan view is a mirror image;  
FIG. 6 is another perspective view of a frame for built-in home appliances, shown in an environment of use; and,  
FIG. 7 is another perspective view of a frame for built-in home appliances, shown in an environment of use.  
The broken lines depict portions of the frame for built-in home appliances that form no part of the claimed design.

(Continued)



The portions of FIGS. 6 and 7 drawn in broken lines show environmental structure only and form no part of the claimed design.

**1 Claim, 7 Drawing Sheets**

(56) **References Cited**

U.S. PATENT DOCUMENTS

D767,382 S *	9/2016	Libreiro .....	D8/382
D835,499 S *	12/2018	Schroeder .....	B60P 7/0815
			D8/381
D872,883 S *	1/2020	Bilge .....	D25/119
D888,027 S *	6/2020	Pei .....	D14/239
D900,062 S *	10/2020	Park .....	D14/217
D900,063 S *	10/2020	Park .....	D14/217
D905,539 S *	12/2020	Wheeler .....	D8/354
2020/0344910 A1 *	10/2020	Joo .....	E04C 2/46

\* cited by examiner

FIG. 1

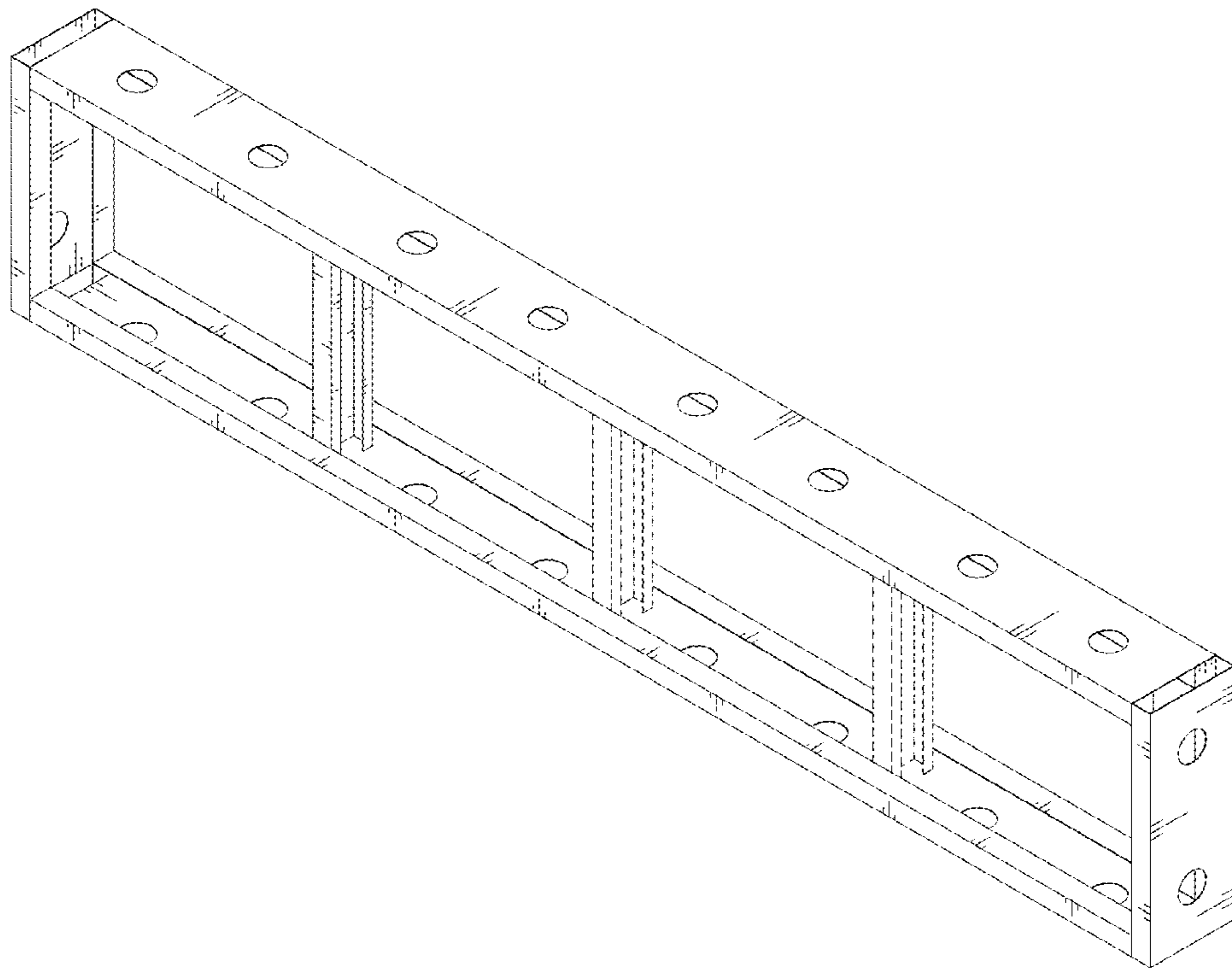


FIG. 2

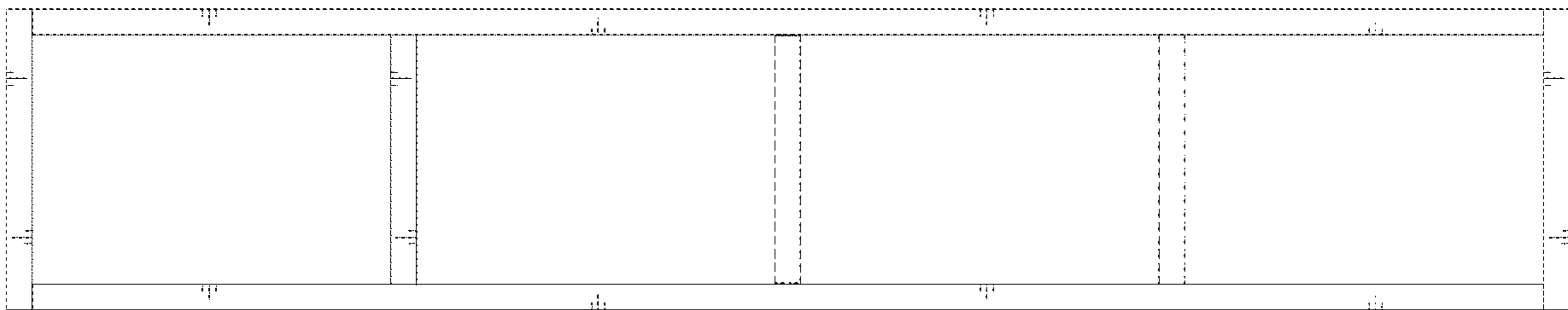


FIG. 3

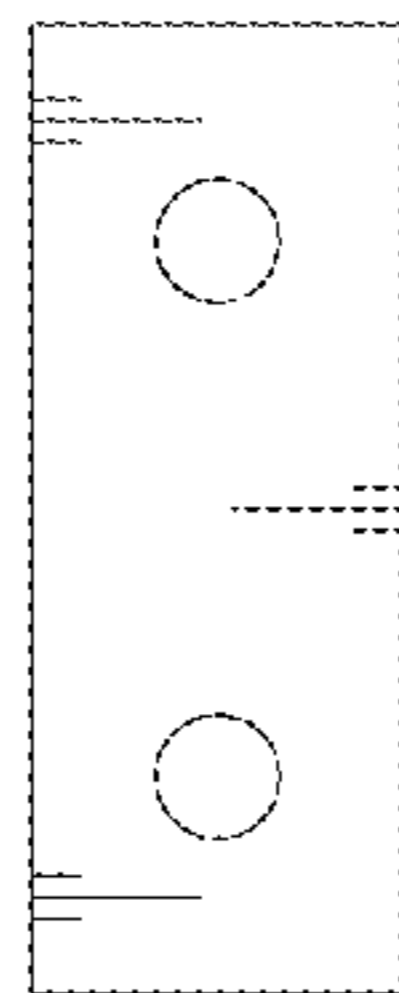


FIG. 4

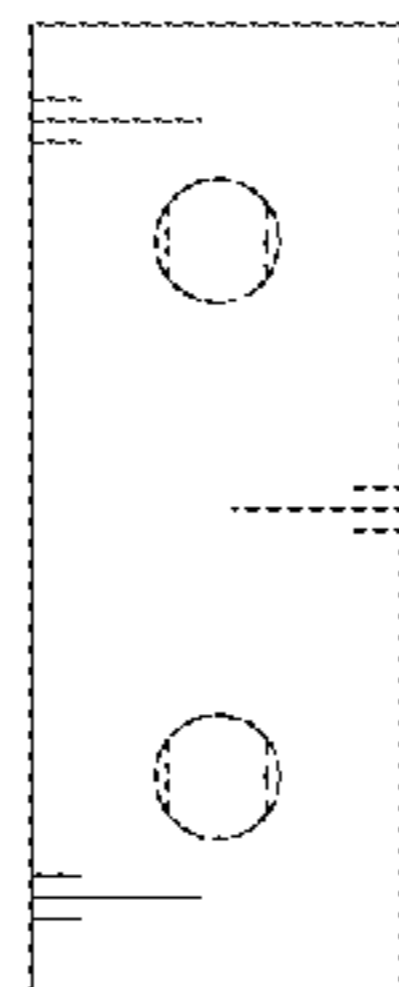


FIG. 5

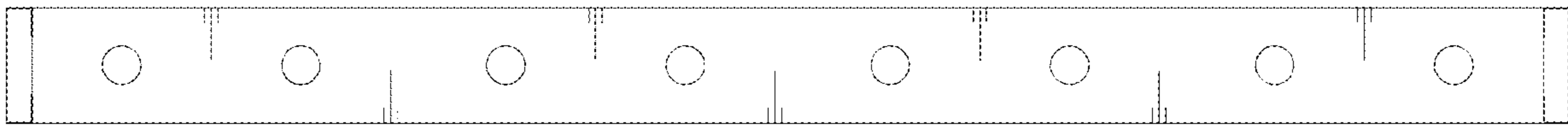


FIG. 6

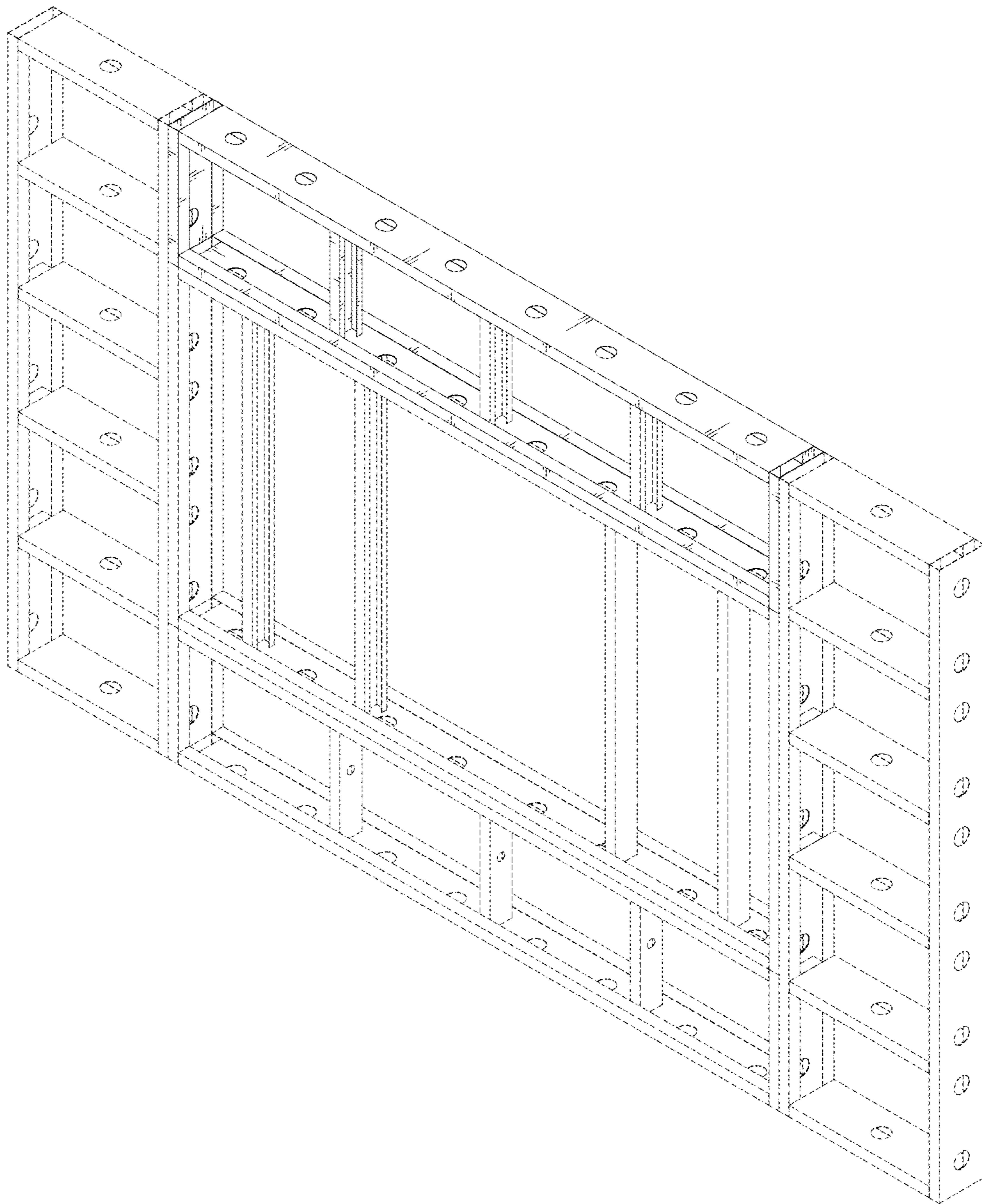




FIG. 7

