



US00D922353S

(12) **United States Design Patent**
Liniado

(10) **Patent No.:** **US D922,353 S**

(45) **Date of Patent:** **** *Jun. 15, 2021**

(54) **EXPANDABLE AND PORTABLE SPEAKER**

(71) Applicant: **DGL Group USA**, Edison, NJ (US)

(72) Inventor: **Marc Liniado**, Brooklyn, NY (US)

(73) Assignee: **DGL GROUP USA**, Edison, NJ (US)

(*) Notice: This patent is subject to a terminal disclaimer.

(**) Term: **15 Years**

(21) Appl. No.: **29/721,970**

(22) Filed: **Jan. 24, 2020**

Related U.S. Application Data

(63) Continuation of application No. 29/632,584, filed on Jan. 9, 2018, now Pat. No. Des. 873,797.

(51) **LOC (13) Cl.** **14-01**

(52) **U.S. Cl.**
USPC **D14/216**

(58) **Field of Classification Search**
USPC D14/167, 168, 170–172, 188, 194–198,
D14/204, 207, 209.1, 210–216, 219, 221,
(Continued)

(56) **References Cited**

U.S. PATENT DOCUMENTS

D330,376 S 10/1992 Kawaguchi
D382,369 S 8/1997 Yang
(Continued)

FOREIGN PATENT DOCUMENTS

CN 201674658 12/2010
JP 2003037882 2/2003

OTHER PUBLICATIONS

Tronsmart Element Pixie Bluetooth Speaker 20W Soundbar Portable Speaker TWS Do . . . , DHgate.com, [online], [site visited May

23, 2019]. URL: <https://www.dhgate.com/product/tronsmart-element-pixie-bluetooth-speaker/433249501.html> (Year: 2019).

(Continued)

Primary Examiner — T Chase Nelson

Assistant Examiner — Jonathan J Han

(74) *Attorney, Agent, or Firm* — Squire Patton Boggs US LLP

(57) **CLAIM**

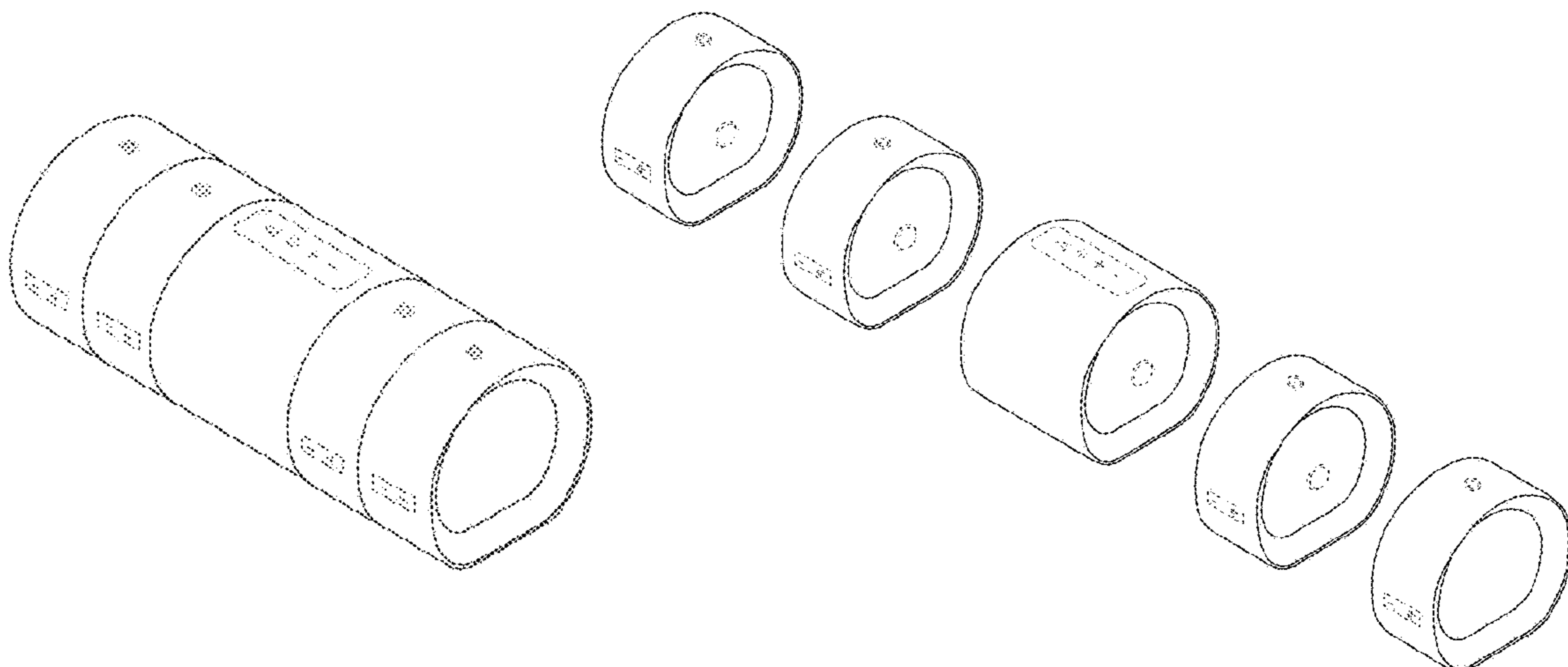
The ornamental design for an expandable and portable speaker, as shown and described.

DESCRIPTION

FIG. 1 is a perspective view of the fully assembled expandable and portable speaker;
FIG. 2 is an expanded perspective view of the expandable and portable speaker;
FIG. 3 is a front view of the fully assembled expandable and portable speaker;
FIG. 4 is a back view of the fully assembled expandable and portable speaker;
FIG. 5 is a right view of the end expandable and portable speaker;
FIG. 6 is a left view of the end expandable and portable speaker;
FIG. 7 is a top view of the fully assembled expandable and portable speaker;
FIG. 8 is a bottom view of the fully assembled expandable and portable speaker;
FIG. 9 is a right view of a single interior expandable and portable speaker; and,
FIG. 10 is a left view of a single interior expandable and portable speaker.

The broken lines showing portions of the article are included for the purposes of illustrating structural environment and forms no part of the claimed design.

1 Claim, 10 Drawing Sheets



(58) **Field of Classification Search**

USPC D14/222, 224, 496; 181/143, 144, 147,
 181/148, 150, 153, 157, 198, 199;
 369/6-12; 381/300-303, 306, 332-334,
 381/336, 345, 361-364, 386-388;
 D21/478, 479, 484, 485, 487, 488, 492;
 446/69, 85, 102-128; 434/208, 259, 403;
 273/153 R, 156, 160; 478/174
 CPC B60R 11/0217; G06F 1/1688; G10K 9/22;
 G10K 11/004; H03F 1/327; H04M 1/03;
 H04M 1/035; H04N 5/642; H04N
 21/4852; H04S 3/00; H04S 7/30; H04R
 1/02; H04R 1/06; H04R 1/021; H04R
 1/025; H04R 1/026; H04R 1/028; H04R
 1/105; H04R 1/323; H04R 1/403; H04R
 1/2803; H04R 1/2834; H04R 5/02; H04R
 7/20; H04R 9/06; H04R 9/025; H04R
 2201/021; H04R 2400/00; H04R 2400/07;
 H04R 2499/11; H04R 2499/13; H04R
 2499/15

See application file for complete search history.

(56) **References Cited**

U.S. PATENT DOCUMENTS

D475,085 S 5/2003 Whitehorn
 D501,841 S 2/2005 Hsu
 D553,121 S 10/2007 Gondo et al.
 D573,134 S 7/2008 Milks et al.
 D580,489 S 11/2008 Ma
 D594,845 S 6/2009 Skurdal
 D607,536 S 1/2010 Filo
 D607,878 S 1/2010 Murray
 D611,450 S 3/2010 Miyazaki
 D644,206 S 8/2011 Ponnert
 D653,652 S 2/2012 Kroyer
 D672,333 S 12/2012 Lin et al.
 D719,137 S 12/2014 Cheng
 D723,515 S 3/2015 Ang et al.
 D726,686 S 4/2015 Yoon
 D737,246 S 8/2015 Billington
 D737,248 S 8/2015 Billington
 D743,936 S 11/2015 Cloarec et al.
 D750,597 S 3/2016 Fischer et al.
 D759,632 S 6/2016 Fischer et al.
 D760,195 S 6/2016 Lukic et al.
 D789,329 S 6/2017 Tse
 D798,268 S 9/2017 Fang
 D801,310 S 10/2017 Kachwalla et al.

D803,813 S 11/2017 Rouffiat et al.
 D812,591 S 3/2018 Hu
 D832,809 S 11/2018 Hardi
 D839,855 S 2/2019 Park et al.
 D845,925 S 4/2019 Bellinghausen et al.
 D853,984 S * 7/2019 Alves D14/204
 D865,705 S * 11/2019 Distefano D14/204
 D868,022 S * 11/2019 Distefano D14/204
 D869,463 S * 12/2019 Gagne-Keats D14/358
 D870,714 S * 12/2019 Bradley D14/240
 D873,244 S * 1/2020 Lee D14/216
 D873,402 S * 1/2020 Brandenburg D23/366
 D873,797 S * 1/2020 Liniado D14/216
 D874,631 S * 2/2020 Lee D23/366
 D878,334 S * 3/2020 Alves D14/216
 D880,455 S * 4/2020 Wahlgren D14/216
 D881,161 S * 4/2020 Chen D14/216
 D883,831 S * 5/2020 Jacob D10/106.6
 D883,954 S * 5/2020 He D14/216
 D884,138 S * 5/2020 Chen D23/366
 D884,676 S * 5/2020 He D14/216
 D886,786 S * 6/2020 Chen D14/204
 D891,400 S * 7/2020 Waterman D14/216
 D892,081 S * 8/2020 Waterman D14/216
 D892,765 S * 8/2020 Li D14/216
 D894,156 S * 8/2020 Pai D14/216
 D894,250 S * 8/2020 Hur D16/202
 D894,871 S * 9/2020 Distefano D14/216
 D894,872 S * 9/2020 Wei D14/216
 D895,096 S * 9/2020 Brandenburg D23/366
 D895,568 S * 9/2020 Yu D14/204
 D896,295 S * 9/2020 Lee D16/202
 D896,779 S * 9/2020 Lin D14/204
 D900,058 S * 10/2020 Fay D14/209
 2019/0222934 A1 * 7/2019 Liniado H04R 5/02
 2020/0128328 A1 * 4/2020 Liniado H04R 3/12

OTHER PUBLICATIONS

Portable Speaker for PC, Laptop, iPhone and iPod, HappyShoppinglife.com, [online], [site visited May 23, 2019]. URL: [http:// www.happyshopplifenglife.com/portable-speaker-for-pc-laptop-iphone-and-ipod-p-364.html](http://www.happyshopplifenglife.com/portable-speaker-for-pc-laptop-iphone-and-ipod-p-364.html) (Year: 2019).
 10 of the Best Portable Speakers that Put Music First, RobbReport.com, KEF Muo, By Alexander Lamascus on May 19, 2017, [online], [site visited May 23, 2019]. URL: <https://robbreport.com/gear/electronics/10-of-the-best-portable-speakers-that-put-music-first-2713235/> (Year: 2017).
 Portable Speaker, ThunderAuto.com.au, [online], [site visited May 23, 2019]. URL: <https://thunderauto.com.au/product/wireless-portable-speaker/> (Year: 2019).

* cited by examiner

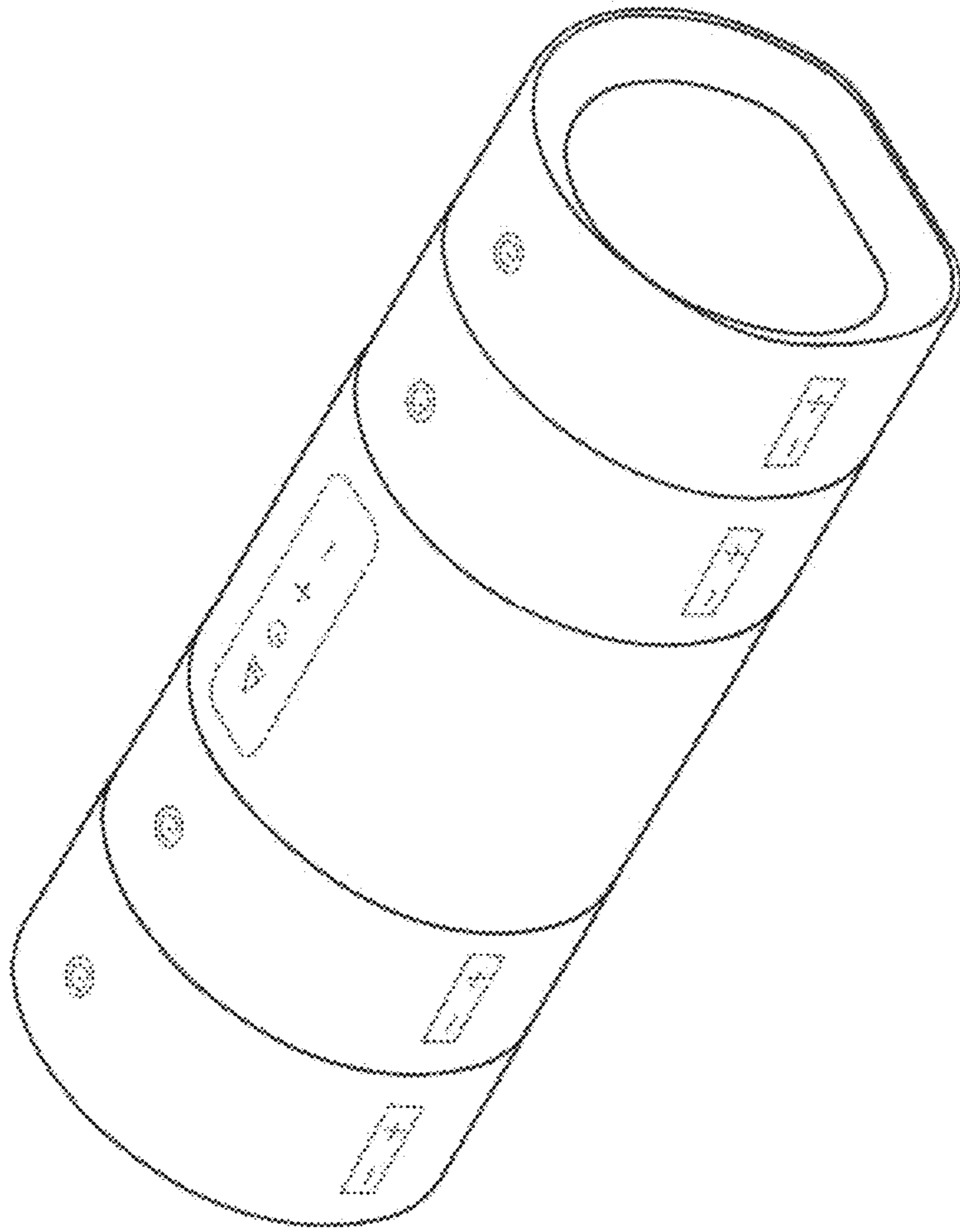


Fig. 1

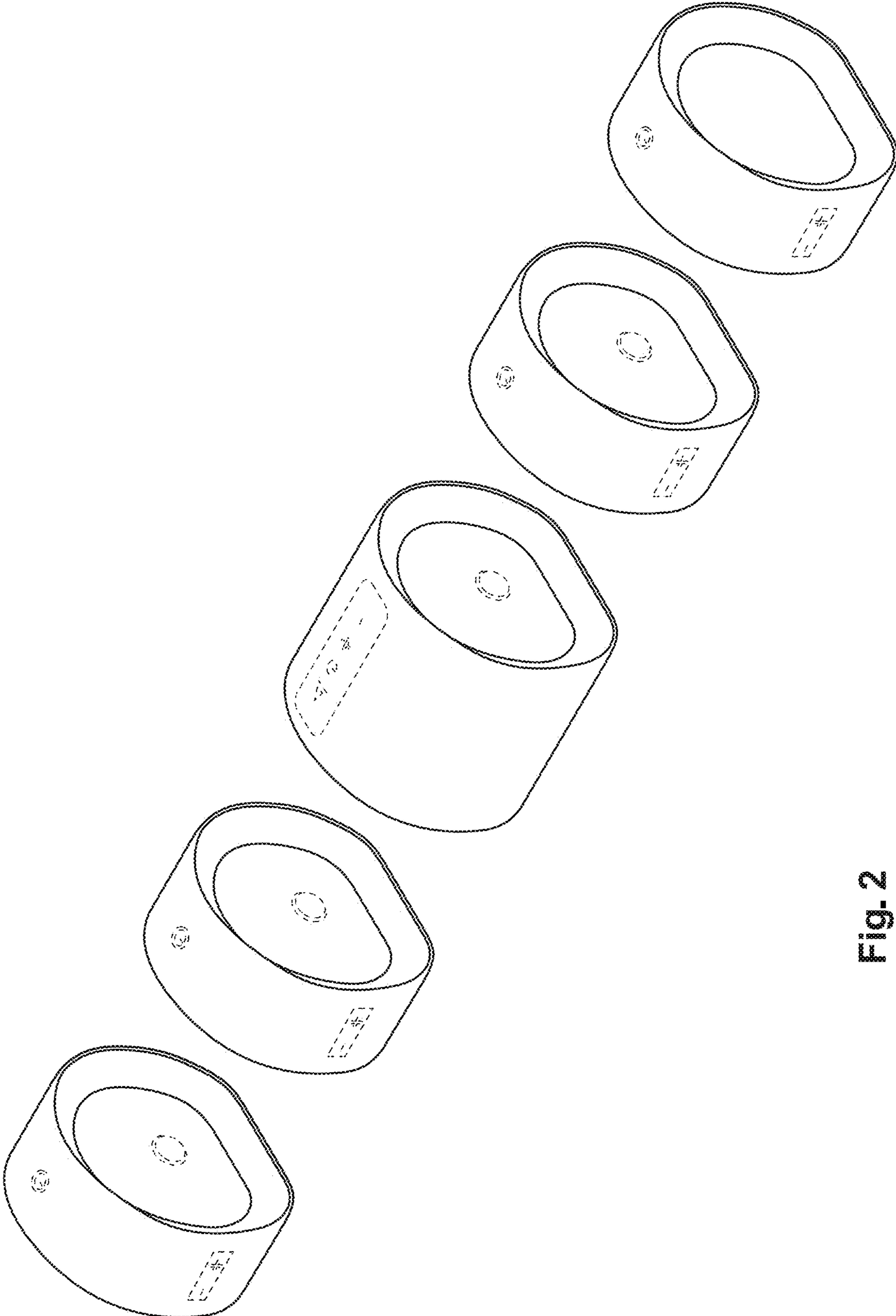


Fig. 2

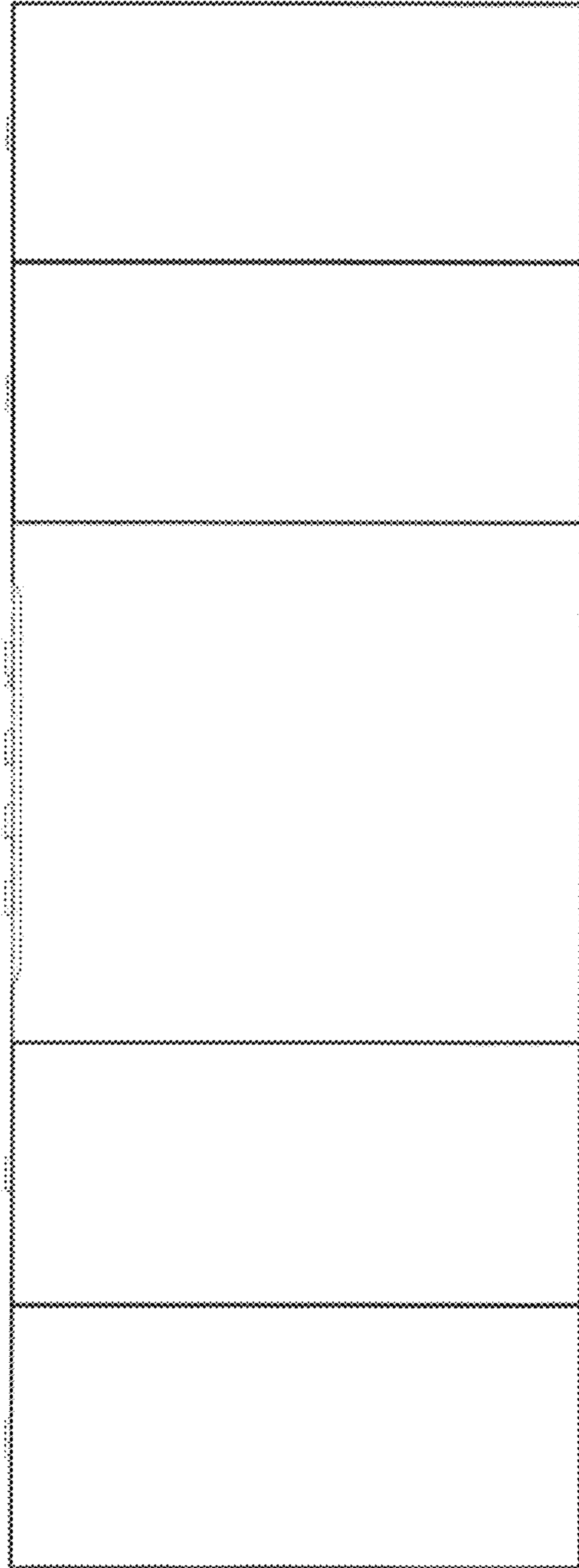


Fig. 3

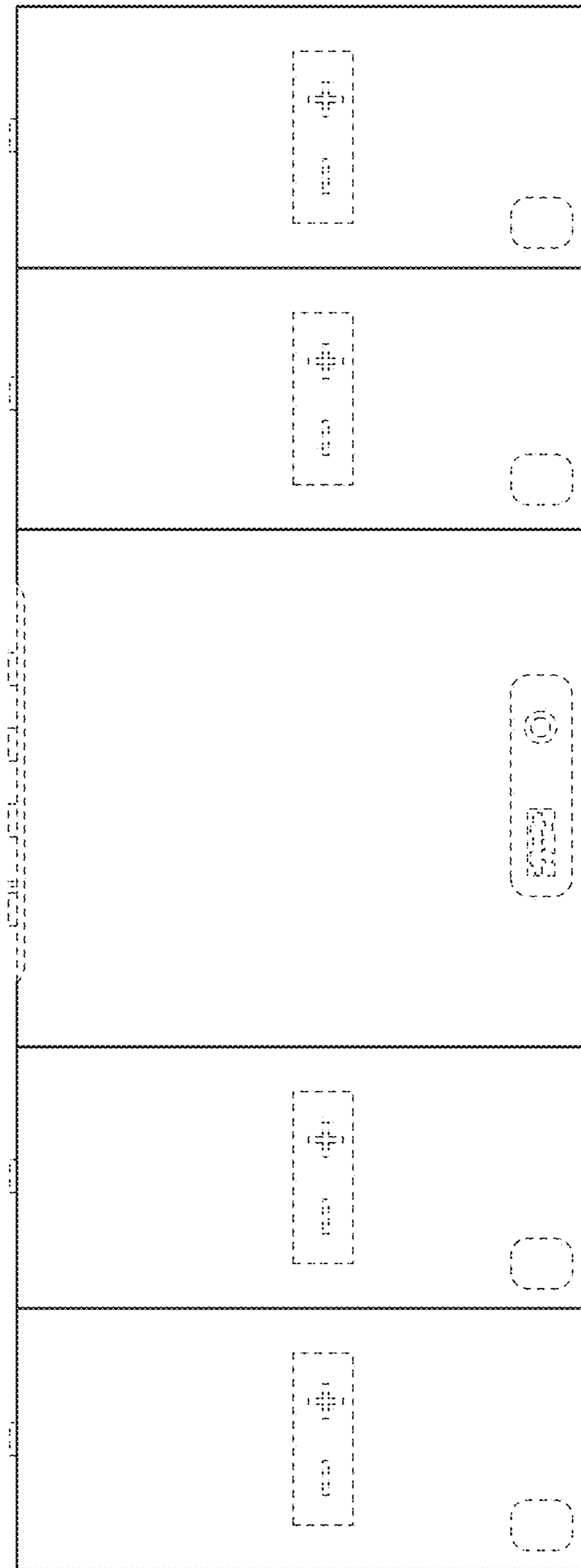


Fig. 4

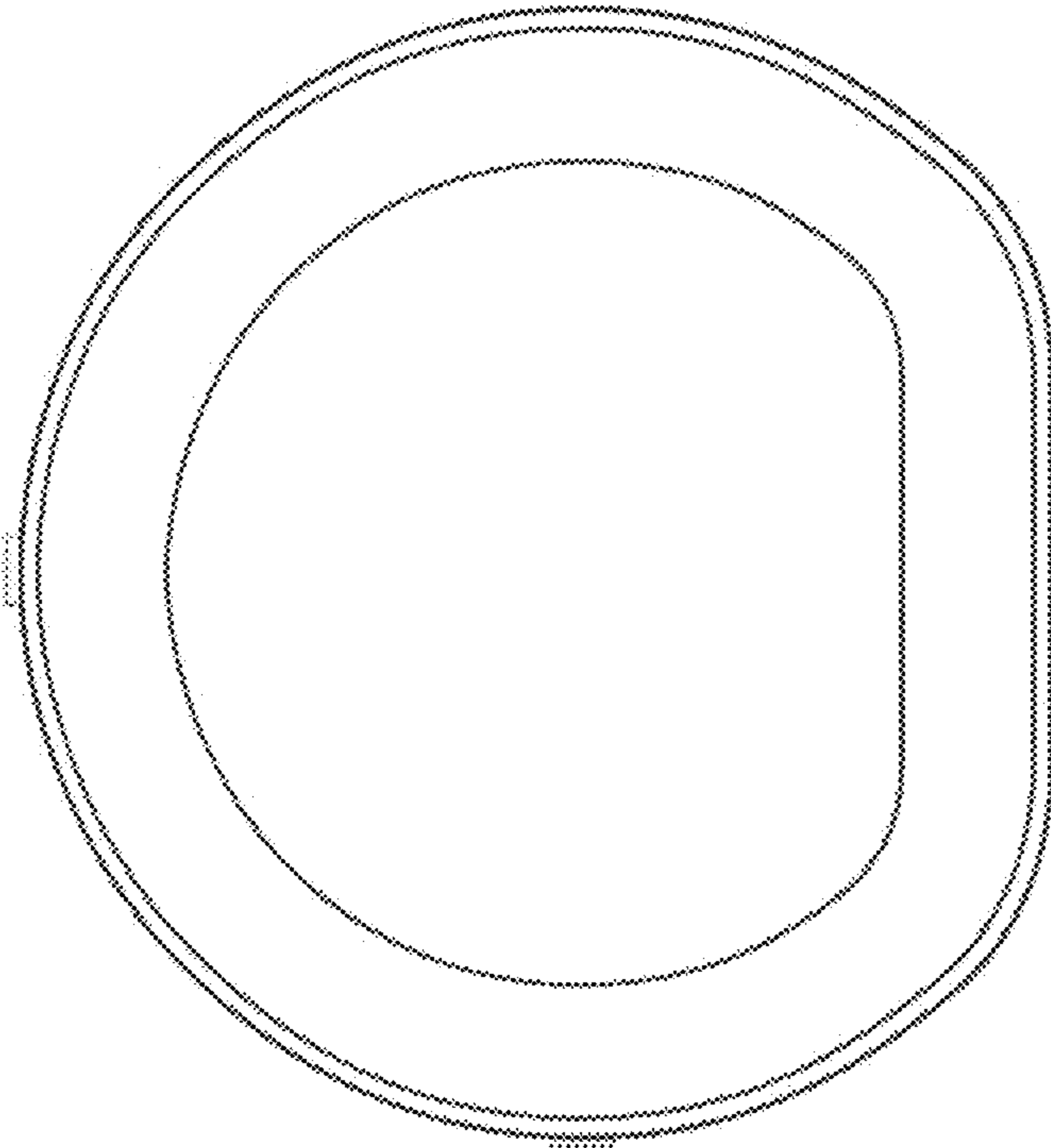


Fig. 5

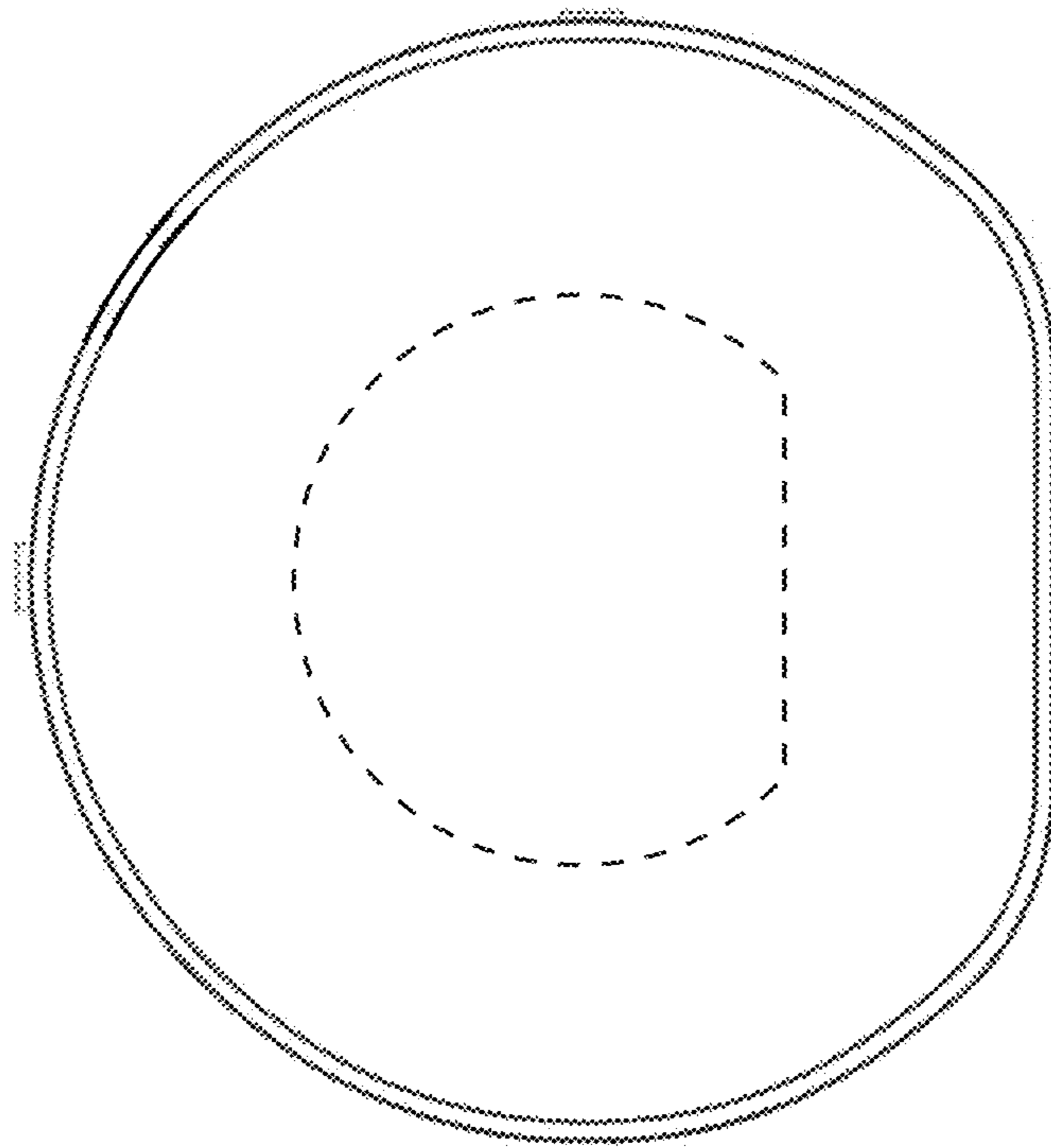


Fig. 6

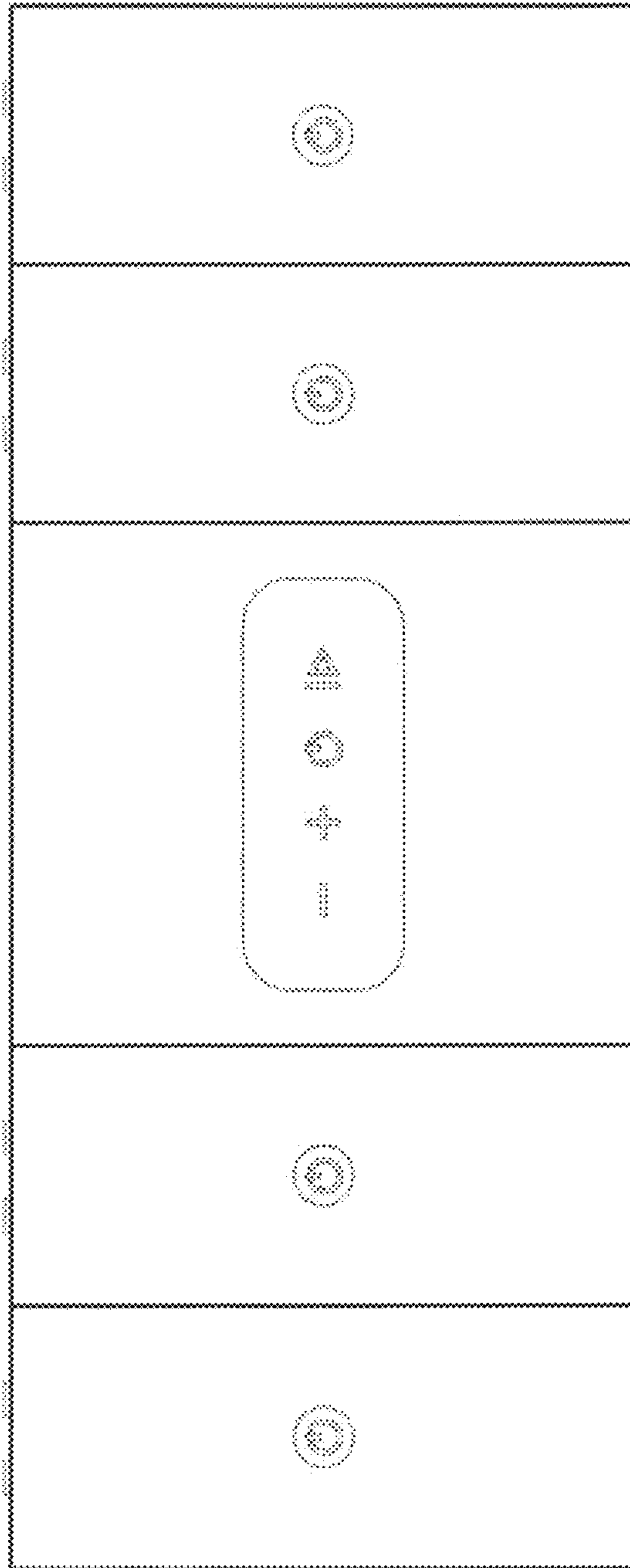


Fig. 7

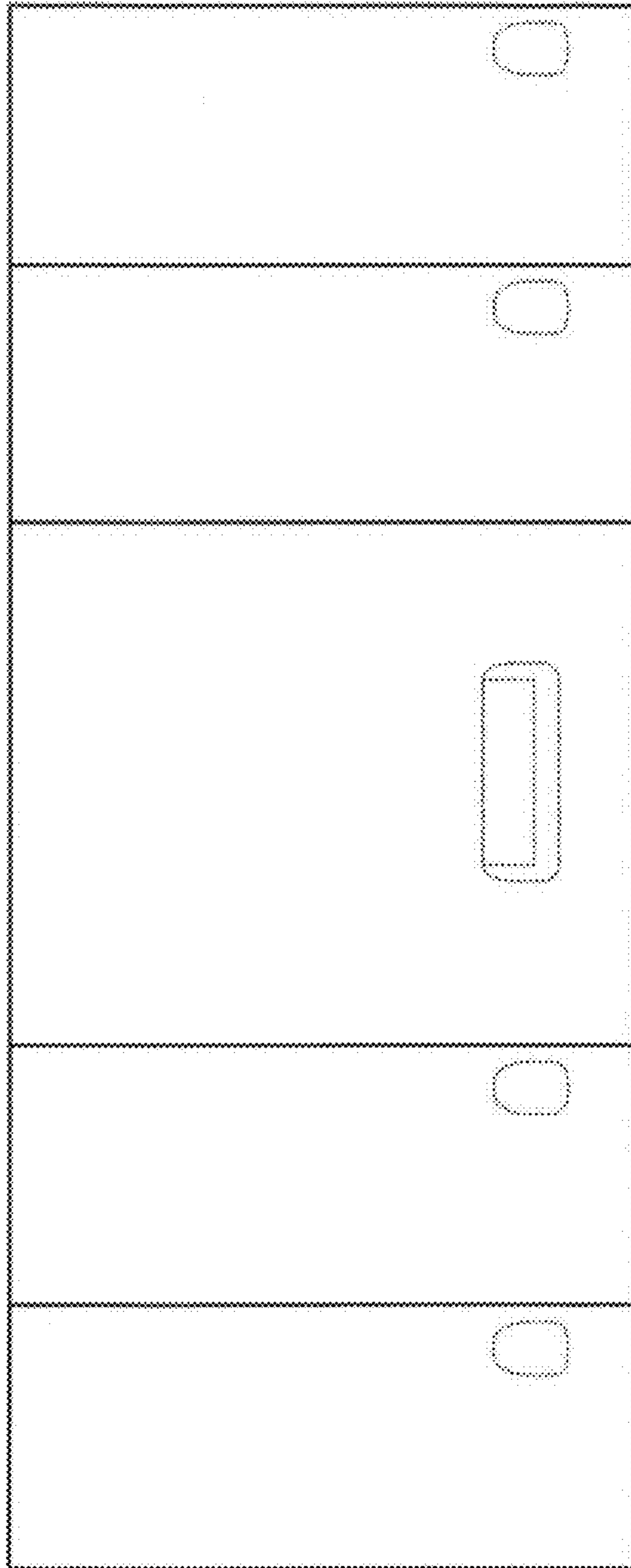


FIG. 8

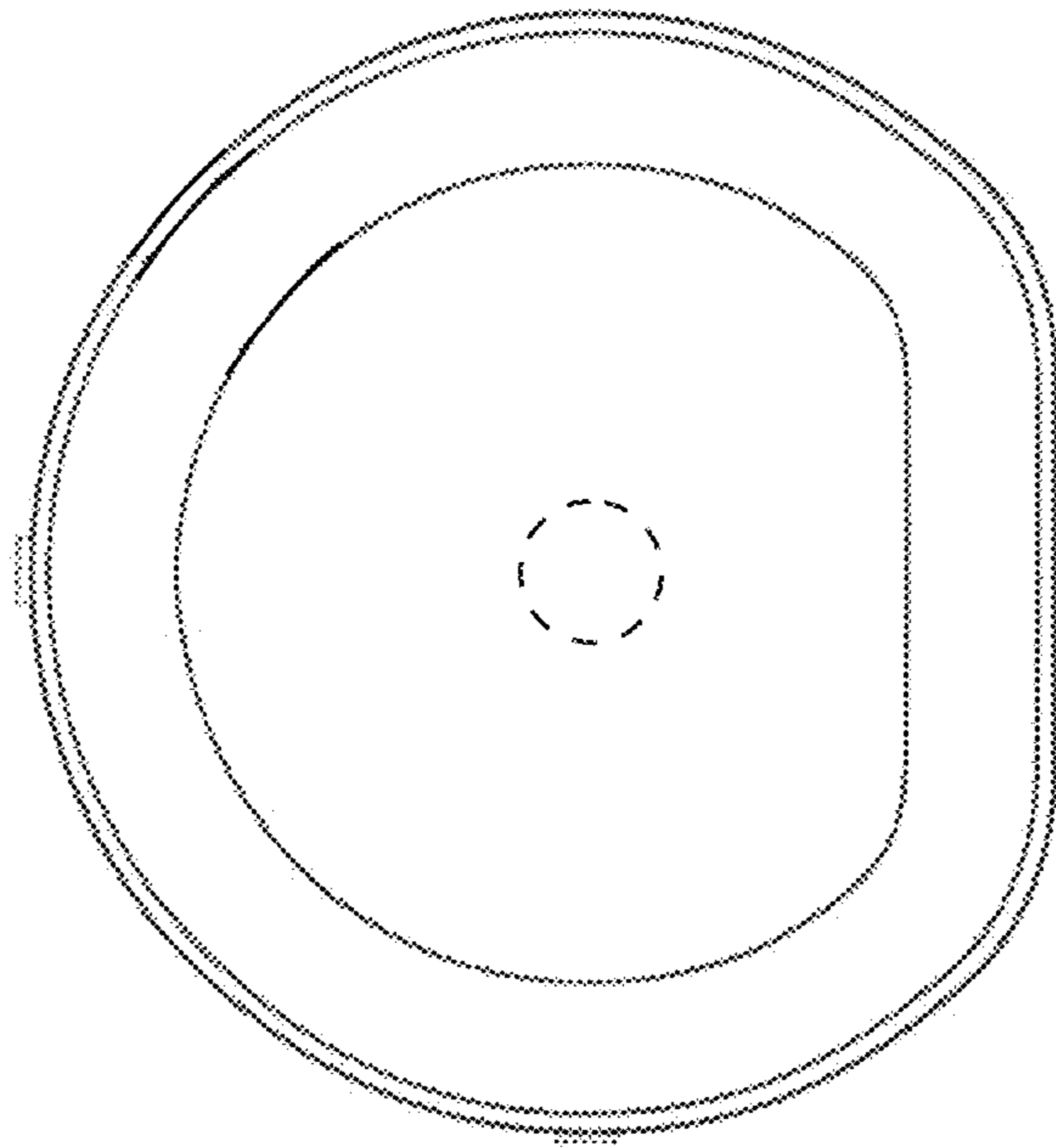


FIG. 9

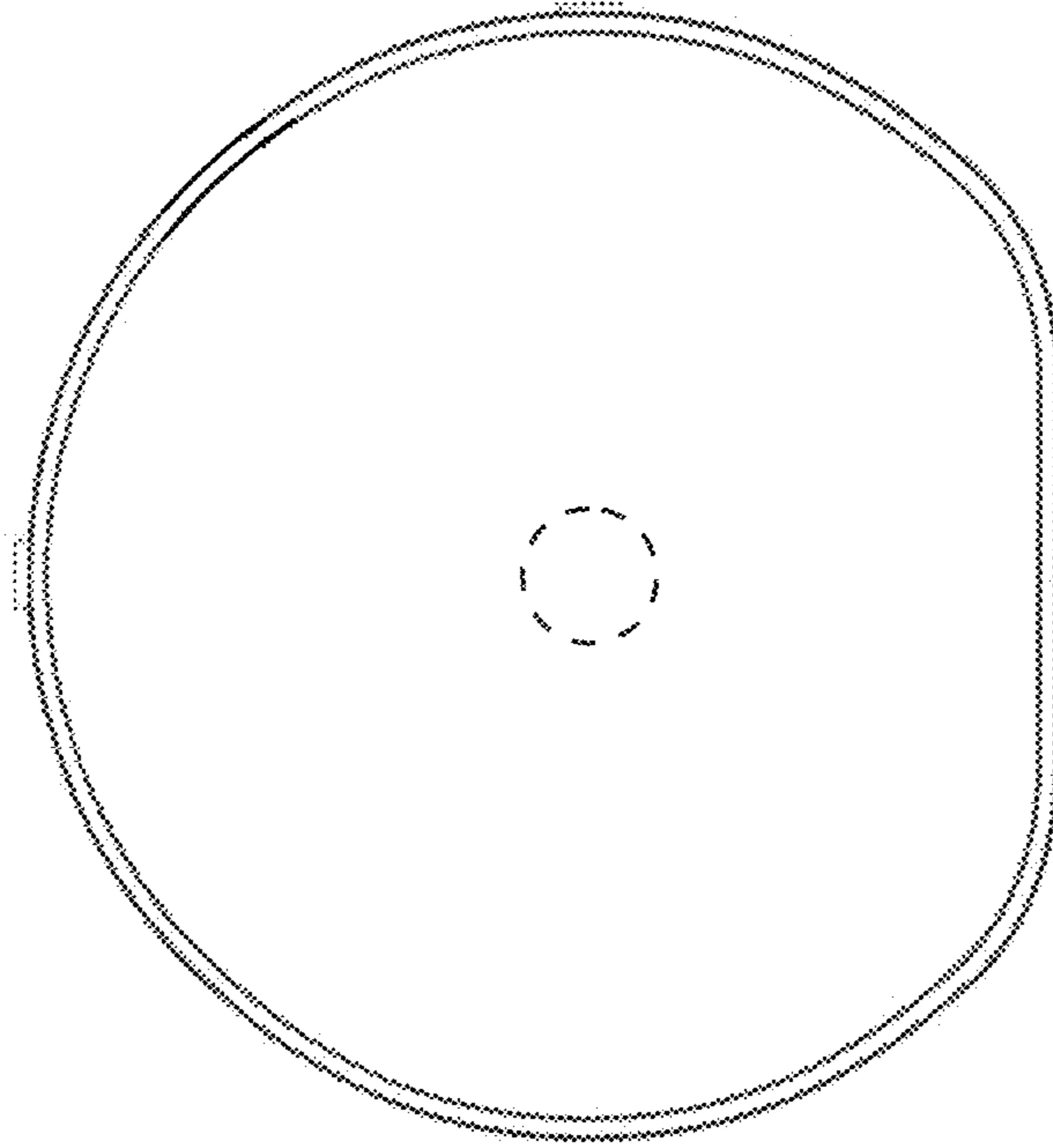


Fig. 10