



US00D922352S

(12) **United States Design Patent**
Byrd et al.

(10) **Patent No.:** **US D922,352 S**
(45) **Date of Patent:** **** Jun. 15, 2021**

(54) **SPEAKER**

D233,086 S * 10/1974 Gismondi D6/682.2
3,977,907 A * 8/1976 Roth H01M 2/105
429/7
4,125,681 A * 11/1978 Sjogren H01M 2/105
429/159

(71) Applicant: **Dolby Laboratories Licensing Corporation**, San Francisco, CA (US)

(Continued)

(72) Inventors: **Grayson H. Byrd**, San Francisco, CA (US); **Cody Michael Proksa**, San Francisco, CA (US); **Lucas E. Saule**, San Francisco, CA (US); **Peter Michaelian**, San Francisco, CA (US); **Brian Edward Renz**, Millbrae, CA (US); **John Carson Stewart**, San Francisco, CA (US); **Vincent Voron**, Menlo Park, CA (US)

FOREIGN PATENT DOCUMENTS

CN 201230165066 * 12/2012
CN 201930354525.9 * 3/2020

(Continued)

(73) Assignee: **DOLBY LABORATORIES LICENSING CORPORATION**, San Francisco, CA (US)

OTHER PUBLICATIONS

Alume Cube Clock, (c) 2018 [online], [retrieved May 29, 2020], Retrieved from internet, URL: <https://store.moma.org/clocks/alume-cube-clock/121324-121324.html?flow_enabled=false&gclid=EALalQobChMI-K70isDZ6QIVGrblCh1TKAAmEAQY%E2%80%A6> (Year: 2018).*

(Continued)

(**) Term: **15 Years**

Primary Examiner — Barbara Fox
Assistant Examiner — Aram Kwon

(21) Appl. No.: **29/675,792**

(74) *Attorney, Agent, or Firm* — McAndrews, Held & Malloy, Ltd.

(22) Filed: **Jan. 4, 2019**

(51) **LOC (13) Cl.** **14-01**

(52) **U.S. Cl.**
USPC **D14/214; D14/204**

(58) **Field of Classification Search**
USPC D14/214, 215, 216, 221, 204, 205, 206, D14/207, 208, 209, 209.1, 210, 211, 212, D14/213

CPC .. G10K 13/00; G10K 9/13; H01F 1/03; H01F 3/10; H01F 7/0289

See application file for complete search history.

(57) **CLAIM**

The ornamental design for a speaker, as shown and described.

DESCRIPTION

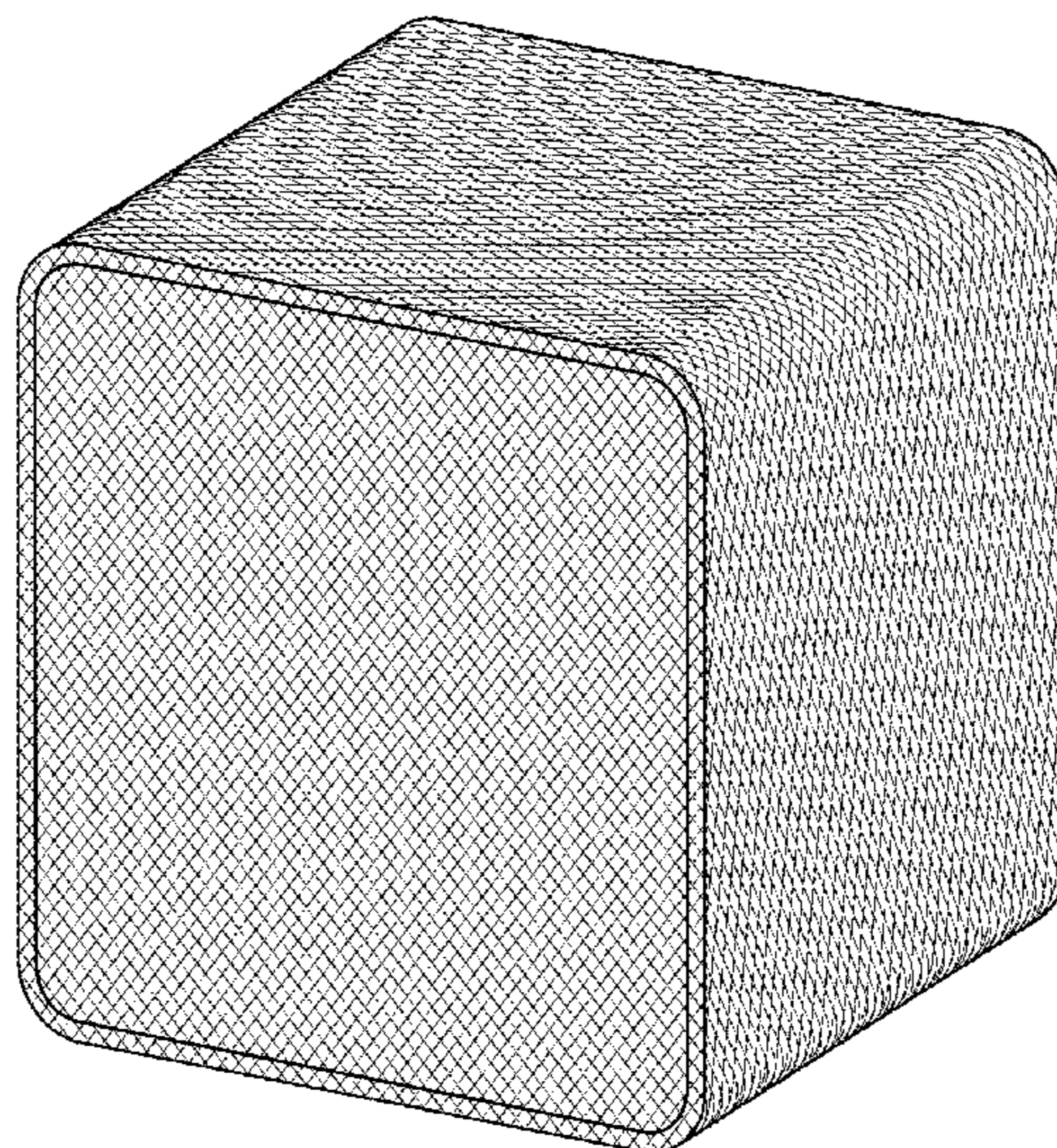
FIG. 1 is a front perspective view of a speaker showing our new design;
FIG. 2 is a front elevation view thereof;
FIG. 3 is a rear elevation view thereof;
FIG. 4 is a right side elevation view thereof;
FIG. 5 is a left side elevation view thereof;
FIG. 6 is a top plan view thereof; and,
FIG. 7 is a bottom plan view thereof.
The dashed broken lines in the figures illustrate portions of the speaker that form no part of the claimed design.

(56) **References Cited**

U.S. PATENT DOCUMENTS

D182,794 S * 5/1958 Eames D14/214
3,219,485 A * 11/1965 Foecking H01M 2/105
429/99

1 Claim, 4 Drawing Sheets



(56)

References Cited

FOREIGN PATENT DOCUMENTS

U.S. PATENT DOCUMENTS

4,724,189 A * 2/1988 Chase H01M 2/105
429/159
6,270,920 B1 * 8/2001 Nakanishi H01M 2/105
429/149
6,368,743 B1 * 4/2002 Guerin B60G 21/0553
429/159
D509,858 S * 9/2005 May D21/499
D557,256 S * 12/2007 Joseph D14/214
D579,443 S * 10/2008 Donovan D14/214
D600,944 S * 9/2009 McConnell D6/675
D616,742 S * 6/2010 Lymn D9/432
D629,827 S * 12/2010 Morenstein D16/221
D633,083 S * 2/2011 Tellier D14/215
D649,148 S * 11/2011 Gengoux D14/300
D683,145 S * 5/2013 Patel D6/349
D690,280 S * 9/2013 Schul D14/188
D714,259 S * 9/2014 Galler
D718,275 S * 11/2014 Shim D14/214
D722,960 S * 2/2015 Campbell D13/108
D724,563 S * 3/2015 Kim D14/214
D727,294 S * 4/2015 Gan D14/214
D729,761 S * 5/2015 Hu D14/194
D750,687 S * 3/2016 Samuels G03B 17/02
D16/219
D753,628 S * 4/2016 McManigal D14/214
D754,101 S * 4/2016 McManigal D14/214
D754,102 S * 4/2016 Sun D14/214
D758,345 S * 6/2016 Fujioka D14/214
D760,691 S * 7/2016 Paslawski D14/214
9,444,080 B2 * 9/2016 Kim H01M 2/1022
D773,558 S * 12/2016 Melnick D19/90
D785,365 S * 5/2017 Newlin D6/526
D788,073 S * 5/2017 Silvera D14/204
D798,837 S * 10/2017 Surratt D14/214
D830,989 S * 10/2018 McManigal D14/204
D838,768 S * 1/2019 Lu D16/230
D844,587 S * 4/2019 Lu
10,270,072 B2 * 4/2019 Bull H01M 2/1077
D864,895 S * 10/2019 Kim D14/204
D867,337 S * 11/2019 Kitamura D14/218
D888,015 S * 6/2020 Gu D14/214
D899,397 S * 10/2020 Kim D14/204
2002/0133991 A1 * 9/2002 Nielson G09F 3/18
40/661
2015/0036858 A1 * 2/2015 Aboabdo H04R 1/02
381/334

EM 001355929-0001 * 1/2013
EM 002423525-0001 * 4/2014
EM 003174358-0002 * 6/2016
EM 003311794-0004 * 8/2017
EM 004363307-0001 * 10/2017
EM 004687028-0001 * 3/2018
EM 004687028-0002 * 3/2018
EM 005204609-0002 * 4/2018
EM 005204609-0004 * 4/2018
EM 006635835-0001 * 8/2019
EM 007732854-0001 * 3/2020
JP D1610316 * 7/2018
KR 3020060045861 * 6/2007
KR 3020070016451 * 8/2008
KR 3020170005772 * 9/2017
KR 3020180014239 * 11/2018
RU 2006503809 * 8/2008
RU 2016502283 * 6/2017
WO WOD070298-001 * 7/2008

OTHER PUBLICATIONS

Mini Box Speaker, (c) 2010 [online], [retrieved May 29, 2020], Retrieved from internet, URL: <https://www.amazon.co.uk/Audio-4-Inch-Dual-Range-Speaker/dp/B0048FB4OY/ref=sr_1_5?dchild=1&keywords=cube+speaker&qid=1590770436&sr%2E%80%A6> (Year: 2010).*

KitSound Boom Cube, Dec. 28, 2017 [online], [retrieved May 29, 2020], Retrieved from internet, URL: <https://www.amazon.co.uk/KitSound-Portable-Wireless-Bluetooth-Speaker/dp/B0711SHD8V/ref=sr_1_13?dchild=1&keywords=cube+speaker&qid=15%E2%80%A6> (Year: 2017).*

NuForce Cube Portable Speaker, May 30, 2012 [online], [retrieved Jun. 5, 2020], Retrieved from internet, URL: <<https://gadgets.in.com/nuforce-cube-portable-speaker.htm>> (Year: 2012).*

Ion Audio Flash Cube, 2018 [online], [retrieved Jun. 5, 2020], Retrieved from internet, URL: <<https://www.shopmyexchange.com/ion-audio-flash-cube/8190092>> (Year: 2018).*

Carbon Fiber Seamless Texture, Sep. 20, 2017 [online], [retrieved Jun. 5, 2020], Retrieved from internet, URL: <<https://www.renderhub.com/renderhub/carbon-fiber-seamless-texture>> (Year: 2017).*

* cited by examiner

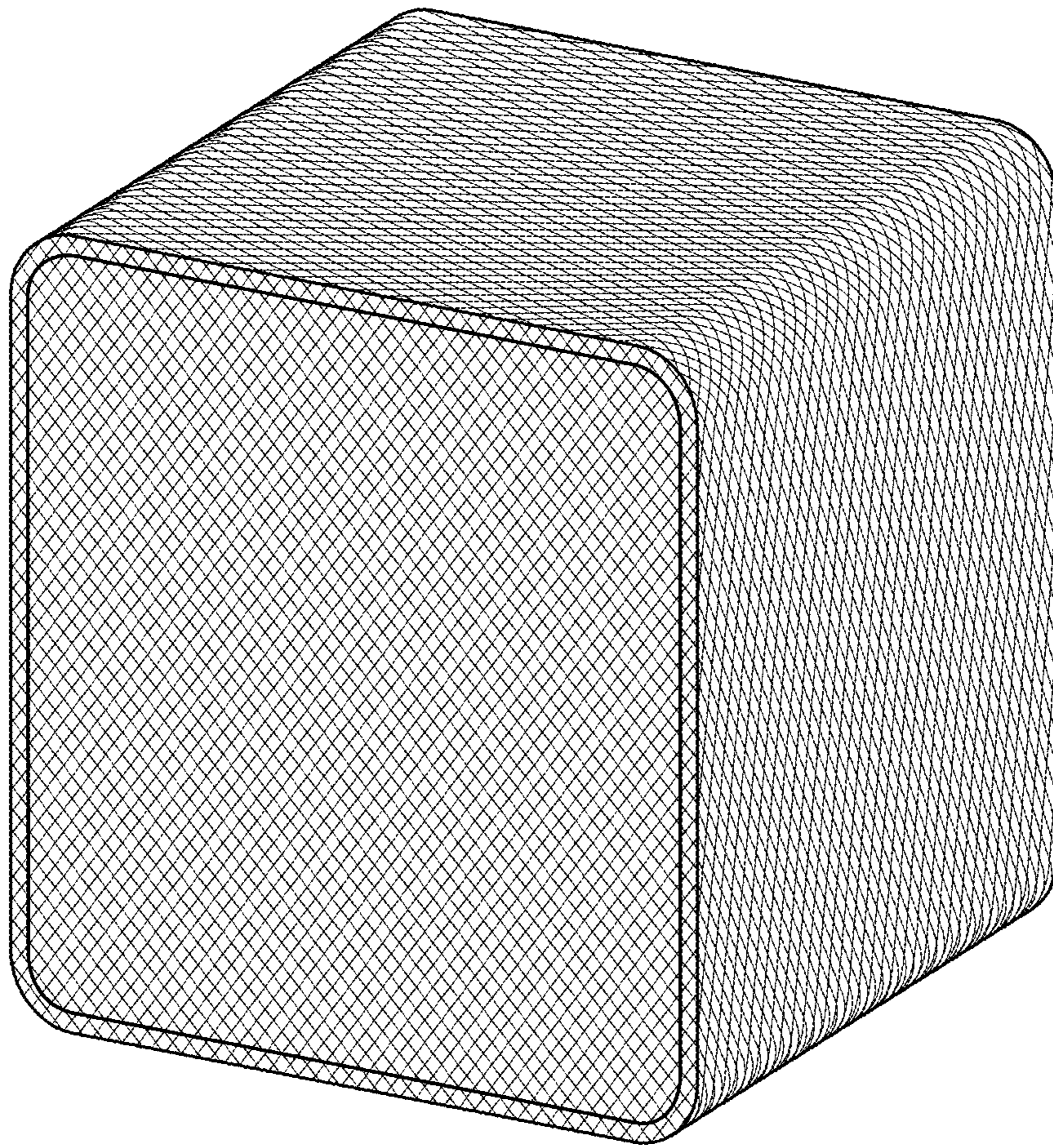


FIG. 1

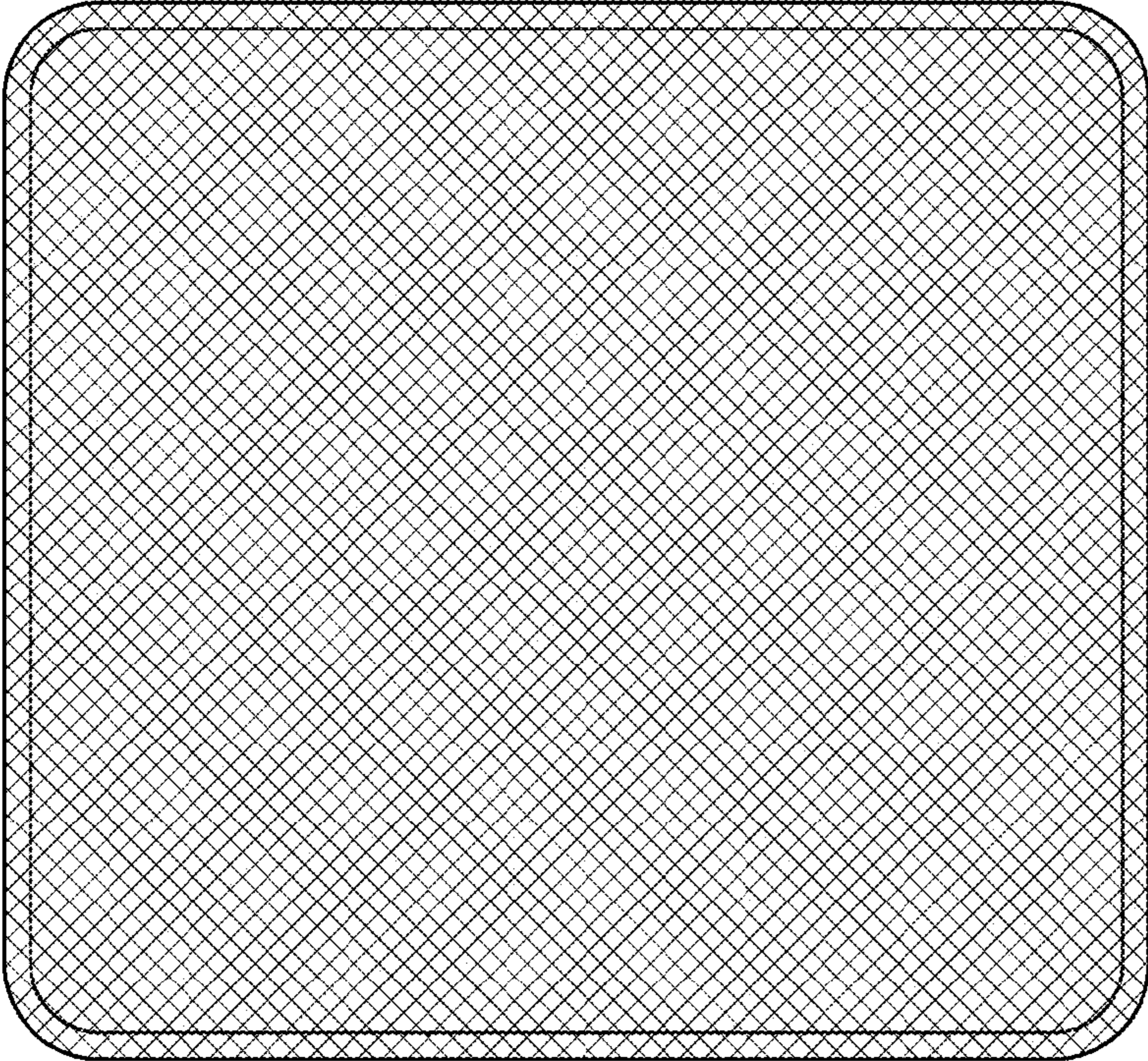


FIG. 2

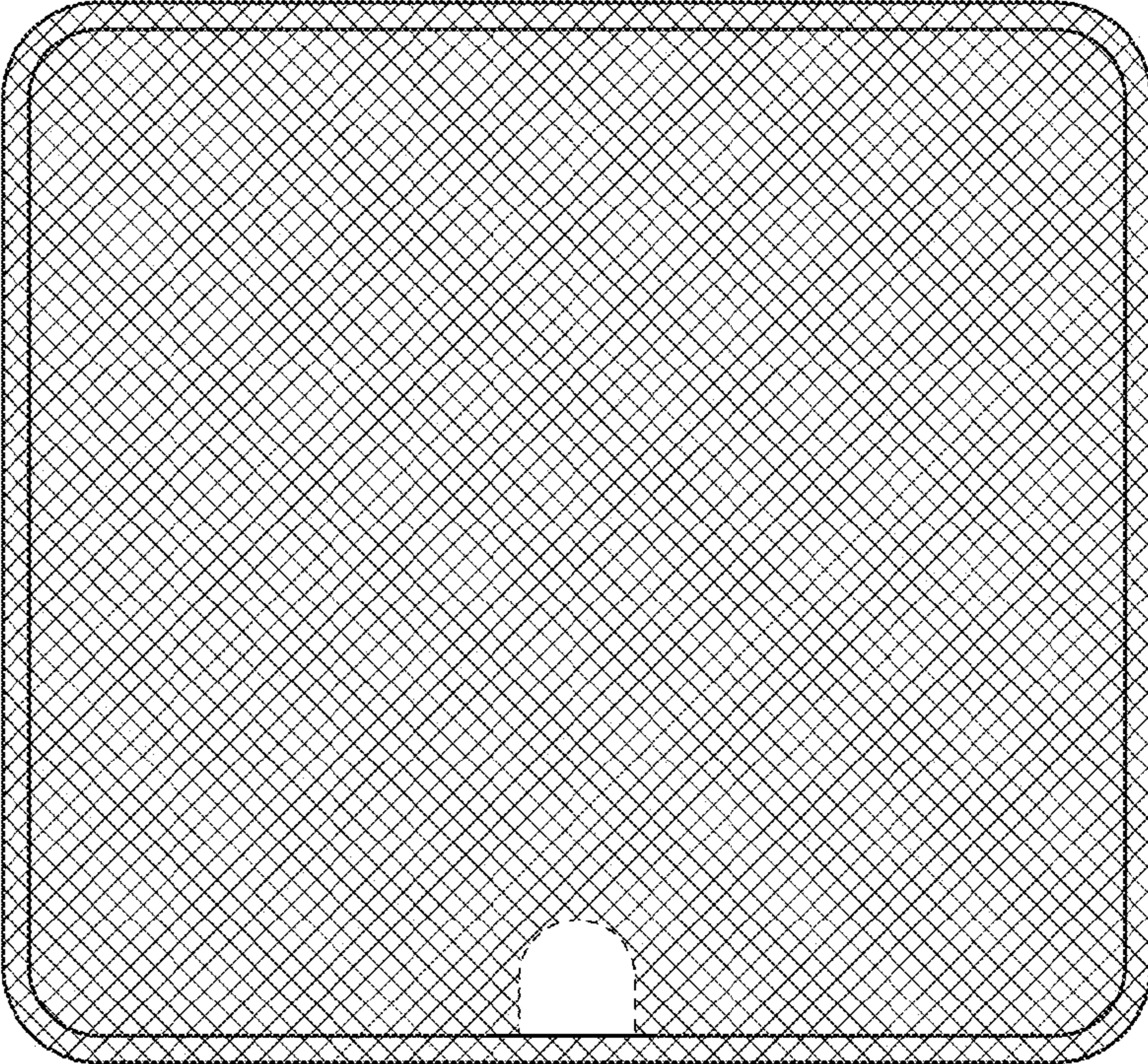


FIG. 3

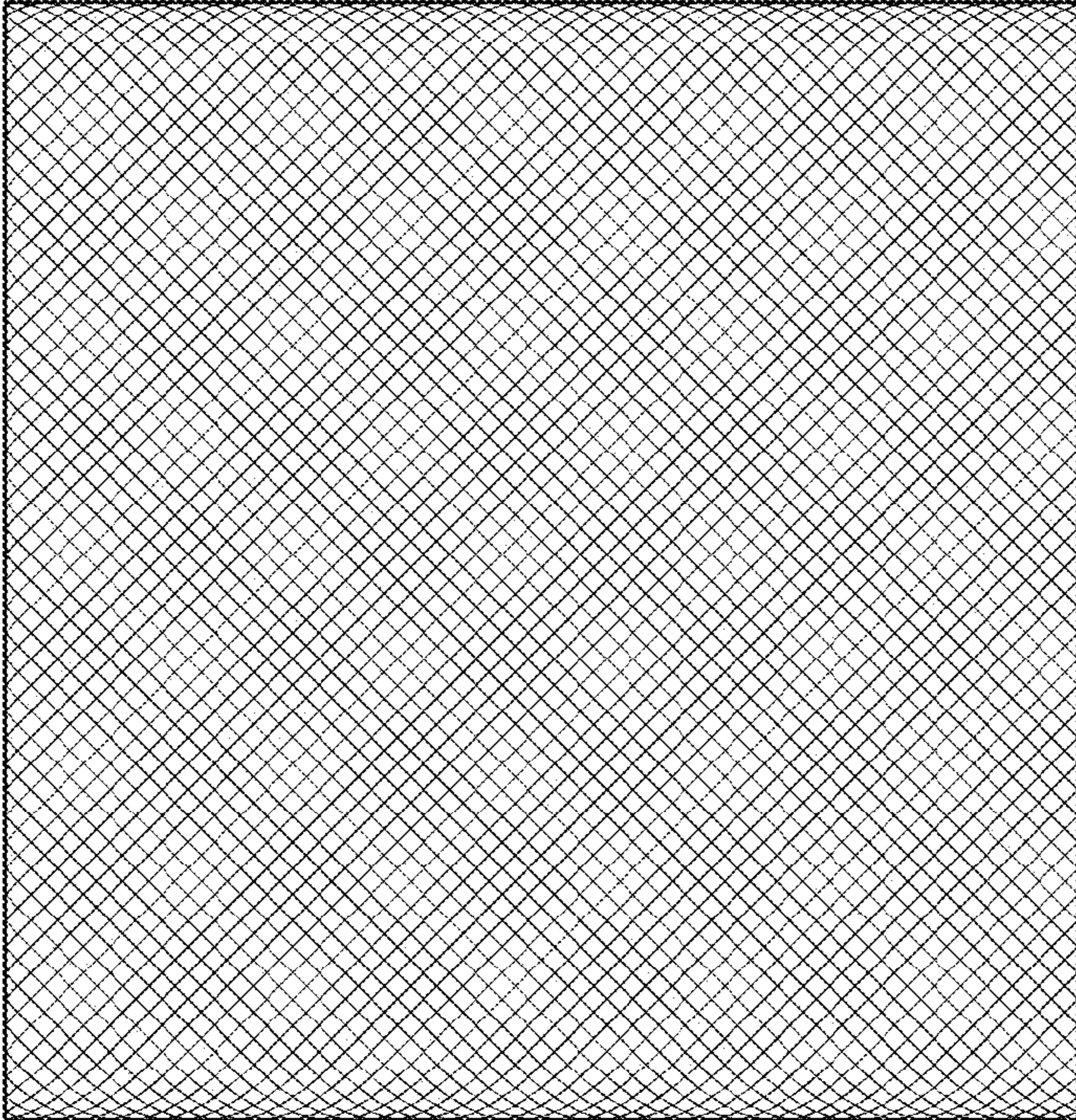


FIG. 4

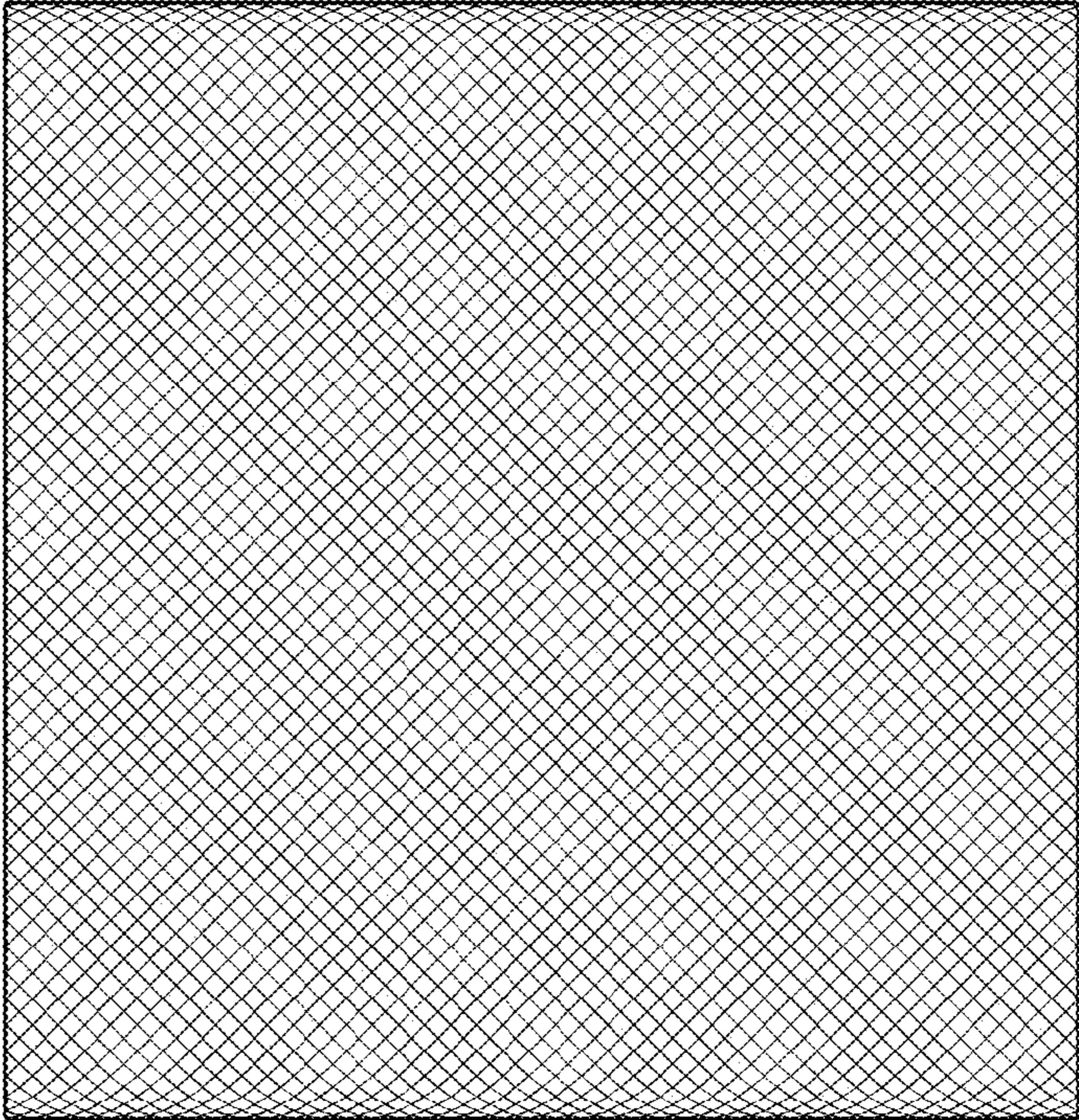


FIG. 5

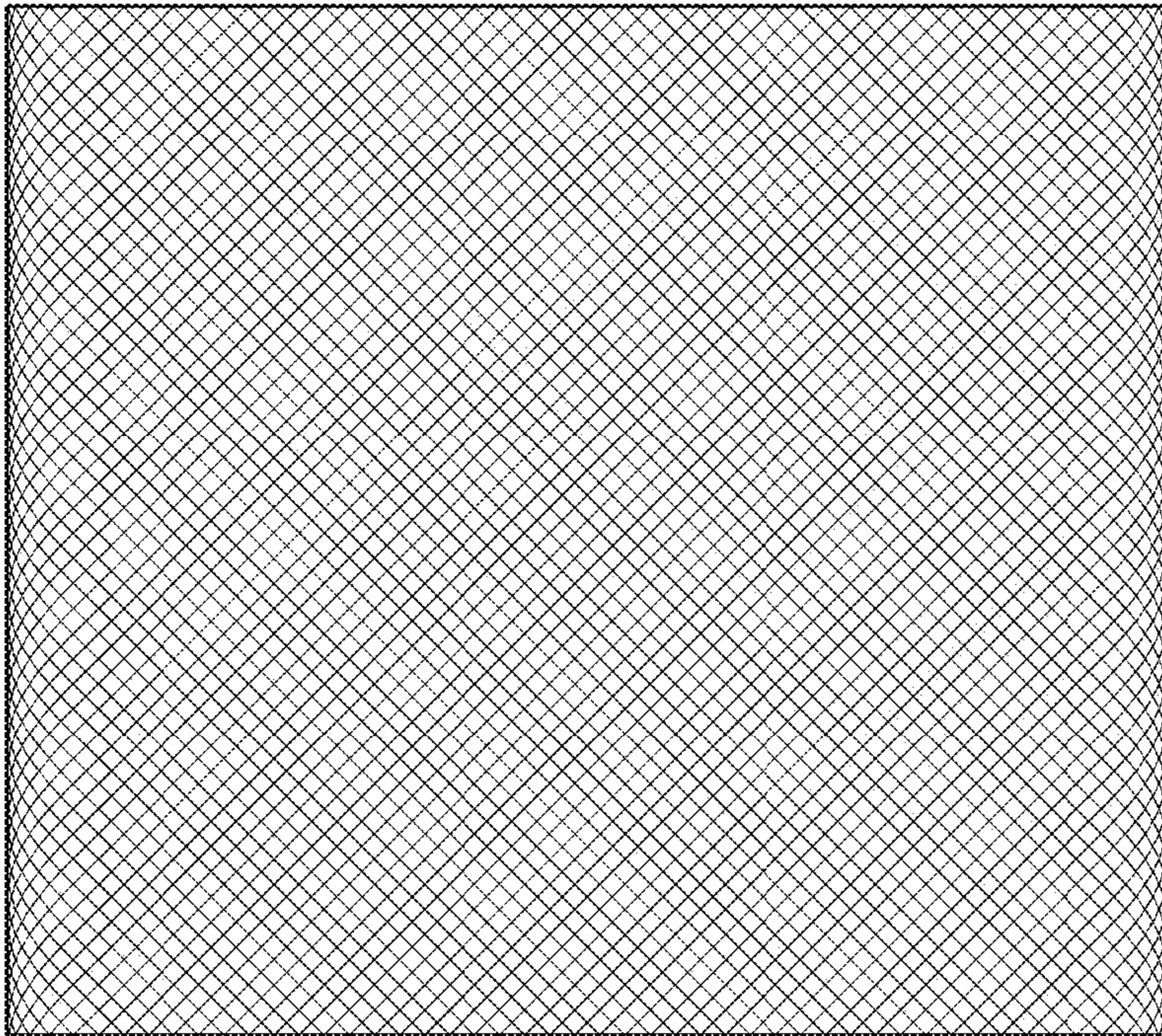


FIG. 6

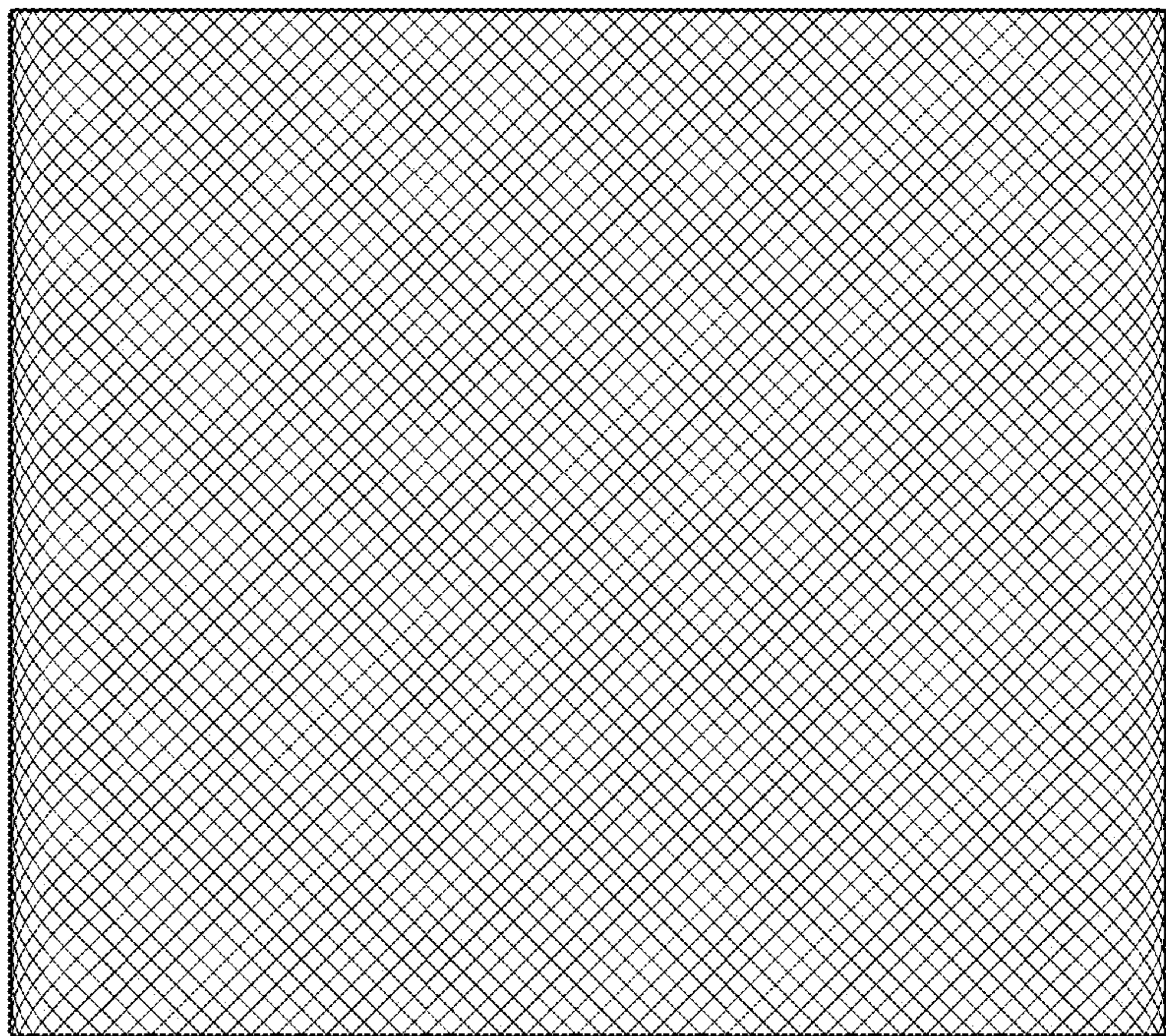


FIG. 7