



US00D922351S

(12) **United States Design Patent** (10) **Patent No.:** **US D922,351 S**
Walcott et al. (45) **Date of Patent:** **** Jun. 15, 2021**

(54) **SPEAKER**

(71) Applicant: **Dolby Laboratories Licensing Corporation**, San Francisco, CA (US)
(72) Inventors: **Drew Alexander Walcott**, San Francisco, CA (US); **Grayson H. Byrd**, San Francisco, CA (US); **Peter Michaelian**, San Francisco, CA (US); **Brian Edward Renz**, San Francisco, CA (US); **John Carson Stewart**, San Francisco, CA (US); **Cody Michael Proksa**, San Francisco, CA (US); **Vincent Voron**, San Francisco, CA (US); **Sripal S. Mehta**, San Francisco, CA (US); **Alan J. Seefeldt**, San Francisco, CA (US)
(73) Assignee: **DOLBY LABORATORIES LICENSING CORPORATION**, San Francisco, CA (US)
(**) Term: **15 Years**

(56) **References Cited**

U.S. PATENT DOCUMENTS

2,646,240 A 7/1953 Anderson
D186,892 S 12/1959 Wilber et al.
(Continued)

FOREIGN PATENT DOCUMENTS

CN 305498477 * 7/2018
CN 305625483 * 7/2018
(Continued)

Primary Examiner — Paula Allen Greene
(74) *Attorney, Agent, or Firm* — McAndrews, Held & Malloy, Ltd.

(57) **CLAIM**

The ornamental design for a speaker, as shown and described.

(21) Appl. No.: **29/725,718**

(22) Filed: **Feb. 26, 2020**

Related U.S. Application Data

(62) Division of application No. 29/657,810, filed on Jul. 25, 2018, now Pat. No. Des. 880,453.

(51) **LOC (13) Cl.** **14-01**

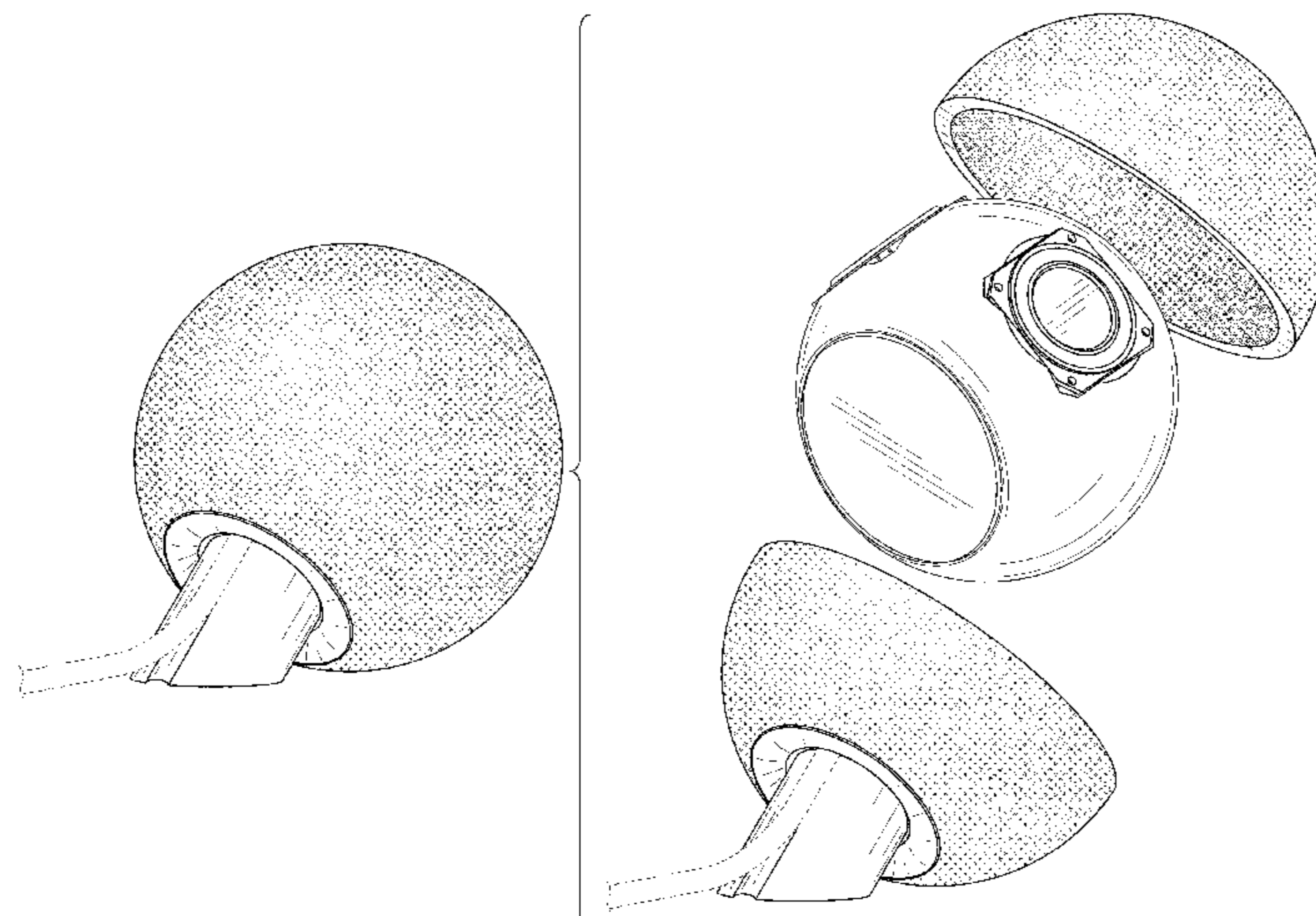
(52) **U.S. Cl.**
USPC **D14/209.1**

(58) **Field of Classification Search**
USPC D14/209.1, 204, 211, 215, 216, 224, D14/224.1, 225; 381/395, 336, 182,
(Continued)

DESCRIPTION

FIG. 1 is a rear perspective view of a speaker showing our new design according to a first embodiment; FIG. 2 is a left side elevation view thereof; FIG. 3 is a right side elevation view thereof; FIG. 4 is a front elevation view thereof; FIG. 5 is a rear elevation view thereof; FIG. 6 is a top plan view thereof; FIG. 7 is a bottom plan view thereof; FIG. 8 is an exploded rear perspective view thereof; FIG. 9 is an exploded front perspective view thereof; FIG. 10 is an exploded rear perspective view of a speaker showing our new design according to a second embodiment, which is identical to the first embodiment except for differences in the internal portion of the speaker shown in FIGS. 8-9 and 10-11; and, FIG. 11 is an exploded front perspective view thereof.

(Continued)



The dashed broken lines in the figures illustrate portions of the speaker that form no part of the claimed design.

1 Claim, 8 Drawing Sheets

(58) Field of Classification Search

USPC 381/301–303, 306, 332, 334, 345,
381/361–363, 386–388
CPC H04R 1/02; H04R 1/021; H04R 1/023;
H04R 5/00; H04R 9/06; H04R 2420/07
See application file for complete search history.

(56) References Cited

U.S. PATENT DOCUMENTS

2,918,568	A	12/1959	Steber	
3,083,979	A	4/1963	Boyd	
D203,003	S	11/1965	Spencer et al.	
3,240,456	A	3/1966	Hartman	
D210,538	S	3/1968	Lahti et al.	
3,385,929	A	5/1968	Magyar et al.	
3,435,910	A	4/1969	Lahti	
D222,072	S	9/1971	Levitt et al.	
3,720,787	A *	3/1973	Ishii	H04R 1/02 381/336
3,812,301	A	5/1974	Lahti	
4,052,564	A	10/1977	Propst et al.	
D281,066	S	10/1985	Humble et al.	
4,563,542	A	1/1986	Pollack	
4,665,550	A *	5/1987	Haas	H04R 1/403 381/182
4,953,223	A	8/1990	Householder	
4,989,254	A *	1/1991	Amalaha	H04R 1/345 381/182
D349,704	S	8/1994	Tsing	
5,444,194	A *	8/1995	Reinke	H04R 1/028 181/150
D395,715	S	6/1998	Queen	
D397,119	S	8/1998	Okon	
5,812,685	A *	9/1998	Fujita	H04R 1/403 181/144
5,952,620	A *	9/1999	Hamilton	H04R 1/345 181/153
6,009,972	A *	1/2000	Choi	H04R 1/345 181/153
D426,230	S	6/2000	De Luliis	
D430,142	S	8/2000	Kuo et al.	
D447,471	S	9/2001	Andre et al.	
D466,887	S	12/2002	Lewis	
D487,737	S	3/2004	Lewis	
D499,666	S	12/2004	Ciaccia	
6,856,692	B2 *	2/2005	Lin	H04R 1/026 181/199
D510,926	S	10/2005	Jerome	
D514,093	S	1/2006	Borsboom	
D519,112	S	4/2006	Yang	

7,068,801	B1	6/2006	Stinson et al.	
D526,644	S	8/2006	Breit	
D552,054	S	10/2007	Angarita	
D567,673	S *	4/2008	Chu	D10/15
D573,135	S	7/2008	Laituri et al.	
D592,217	S *	5/2009	Chen	D14/480.2
D593,543	S *	6/2009	Lui	D14/216
D597,532	S	8/2009	Wang	
D602,910	S *	10/2009	Wang	D14/216
7,840,013	B2	11/2010	Dedieu et al.	
7,886,867	B2 *	2/2011	Adams	H04R 1/025 181/148
8,068,618	B2 *	11/2011	Vollmer	H04R 1/323 381/89
D676,423	S	2/2013	Joseph	
D696,298	S	12/2013	Britt, Jr. et al.	
D703,193	S	4/2014	Trewartha et al.	
D711,351	S *	8/2014	Breines	D14/215
8,989,420	B1	3/2015	Hamer et al.	
D728,518	S *	5/2015	Babataher	D14/216
D729,204	S *	5/2015	Tze-Yen	D14/216
D733,690	S	7/2015	Zukowski	
D744,977	S	12/2015	Wagner	
D756,326	S *	5/2016	Holzer	D14/171
D765,617	S	9/2016	Mackiewicz et al.	
D770,415	S	11/2016	Pellisari et al.	
D781,274	S *	3/2017	Kim	D14/242
D781,813	S *	3/2017	Pignotti	D14/204
D789,906	S	6/2017	Zhang	
D793,363	S	8/2017	Zhang	
D794,220	S *	8/2017	Tel-Oren	D25/61
D808,936	S	1/2018	Cooper et al.	
D811,392	S *	2/2018	Lu	D14/358
D813,191	S	3/2018	Pignotti	
D829,688	S *	10/2018	Tanaka	D14/216
D839,856	S	2/2019	Chen	
D851,073	S	6/2019	Tong	
D855,584	S	8/2019	Laine et al.	
D880,453	S *	4/2020	Walcott	D14/209.1
D884,673	S *	5/2020	Han	D14/216
D890,118	S *	7/2020	Hubert	D14/204
D891,393	S *	7/2020	Lalvani	D14/204
D909,993	S *	2/2021	Han	D14/216
2006/0013411	A1	1/2006	Lin	
2006/0159301	A1 *	7/2006	Guenther	H04R 1/2834 381/431
2007/0160246	A1	7/2007	Vollmer	
2008/0137880	A1	6/2008	Mills et al.	
2010/0296686	A1	11/2010	Machii et al.	
2014/0064543	A1	3/2014	Zukowski	
2017/0303023	A1 *	10/2017	Lin	H04R 1/02
2020/0196055	A1 *	6/2020	Paslowski	H04R 1/02

FOREIGN PATENT DOCUMENTS

EM	006081873-0001	1/2019
EM	006081873-0002	1/2019
EM	006081873-0003	1/2019
EM	006081873-0004	1/2019

* cited by examiner

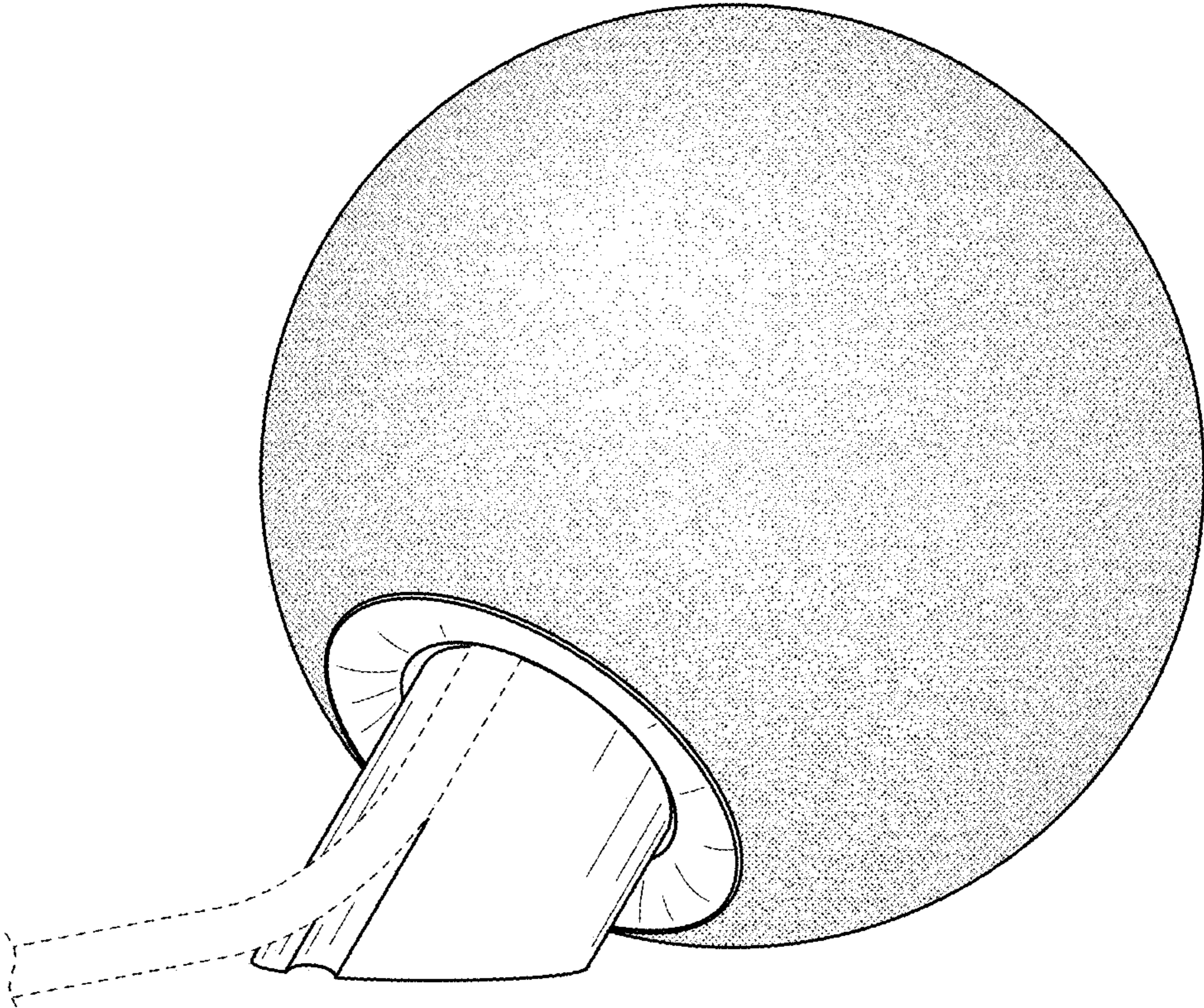


FIG. 1

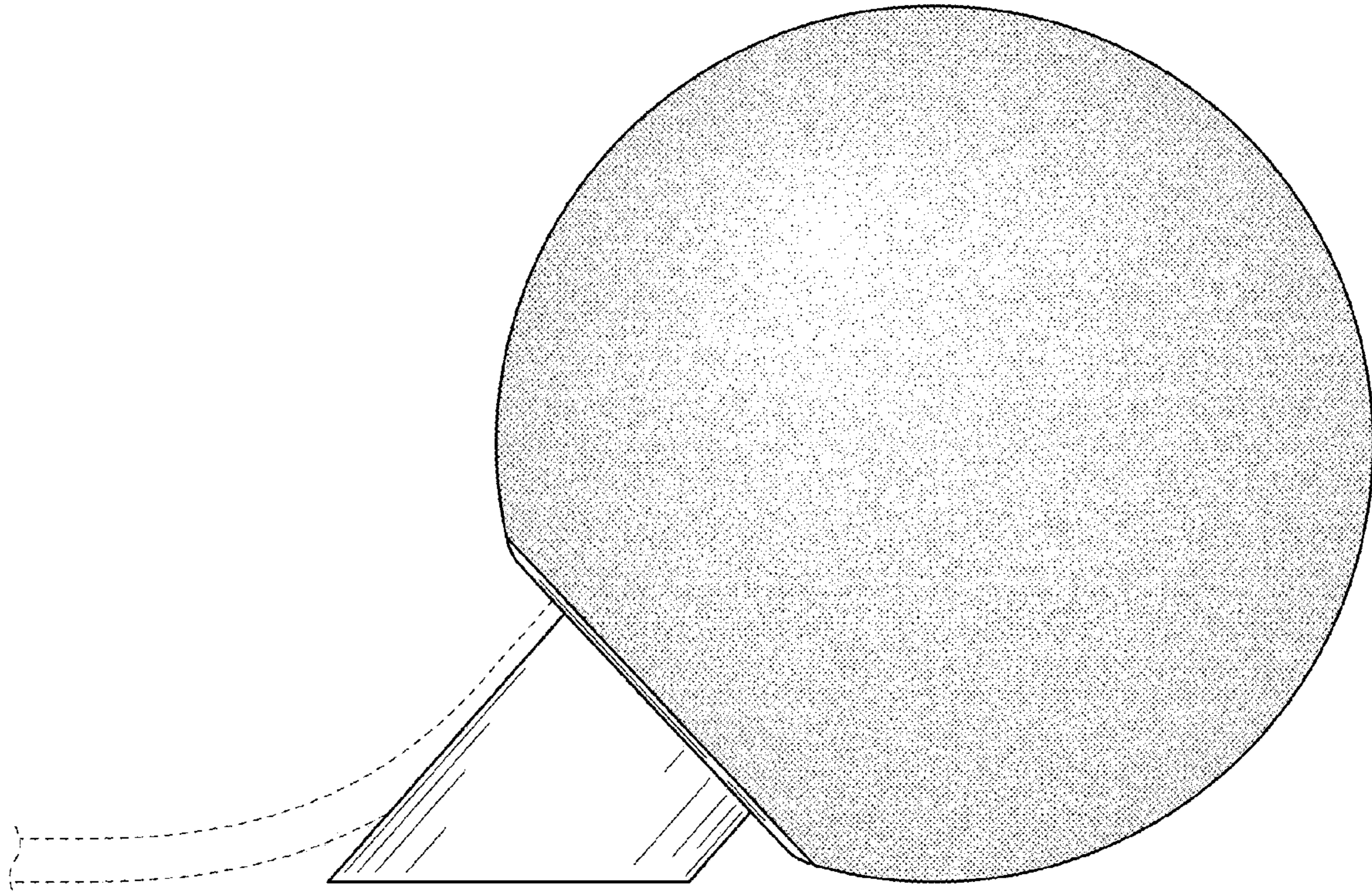


FIG. 2

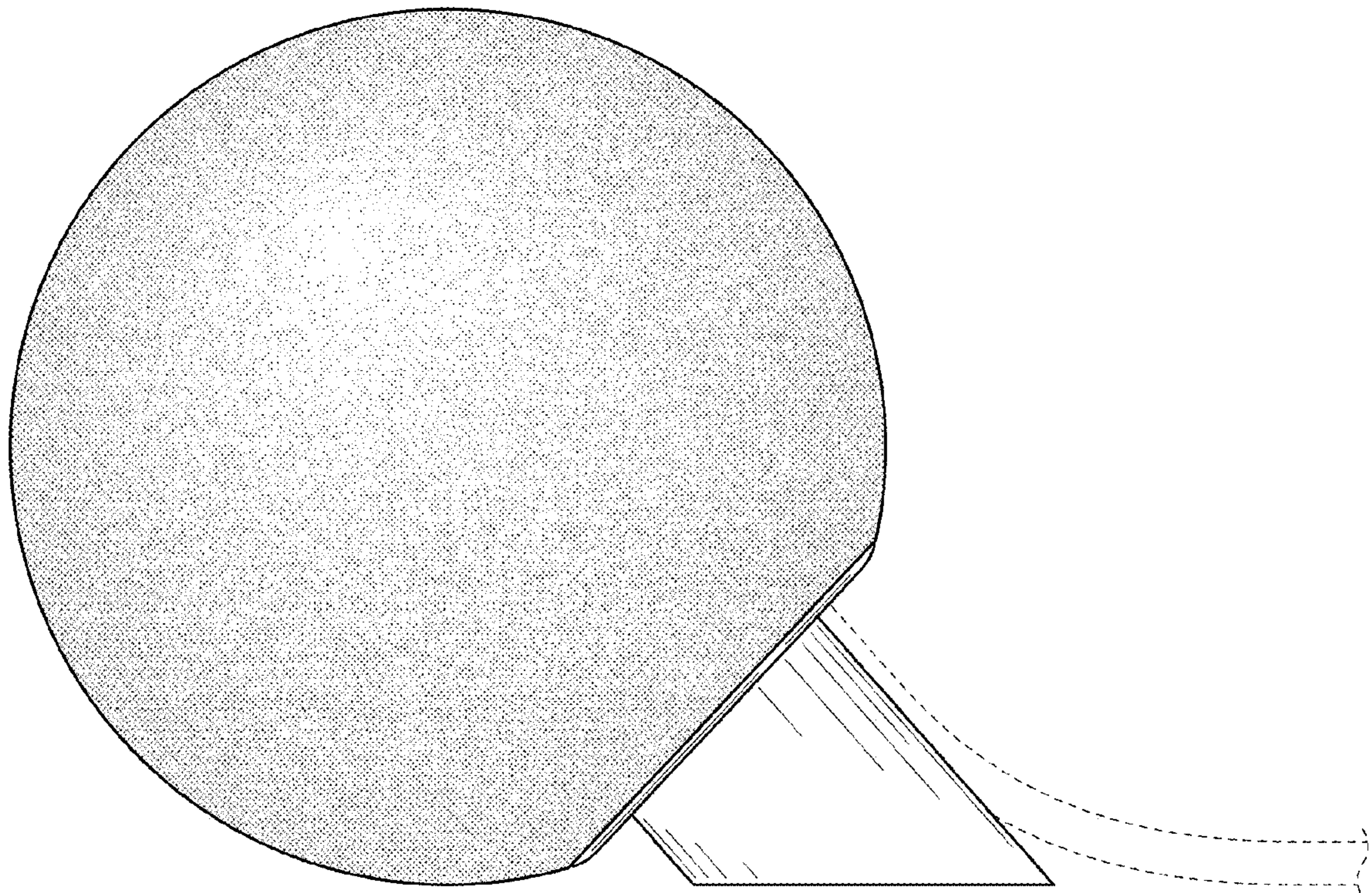


FIG. 3

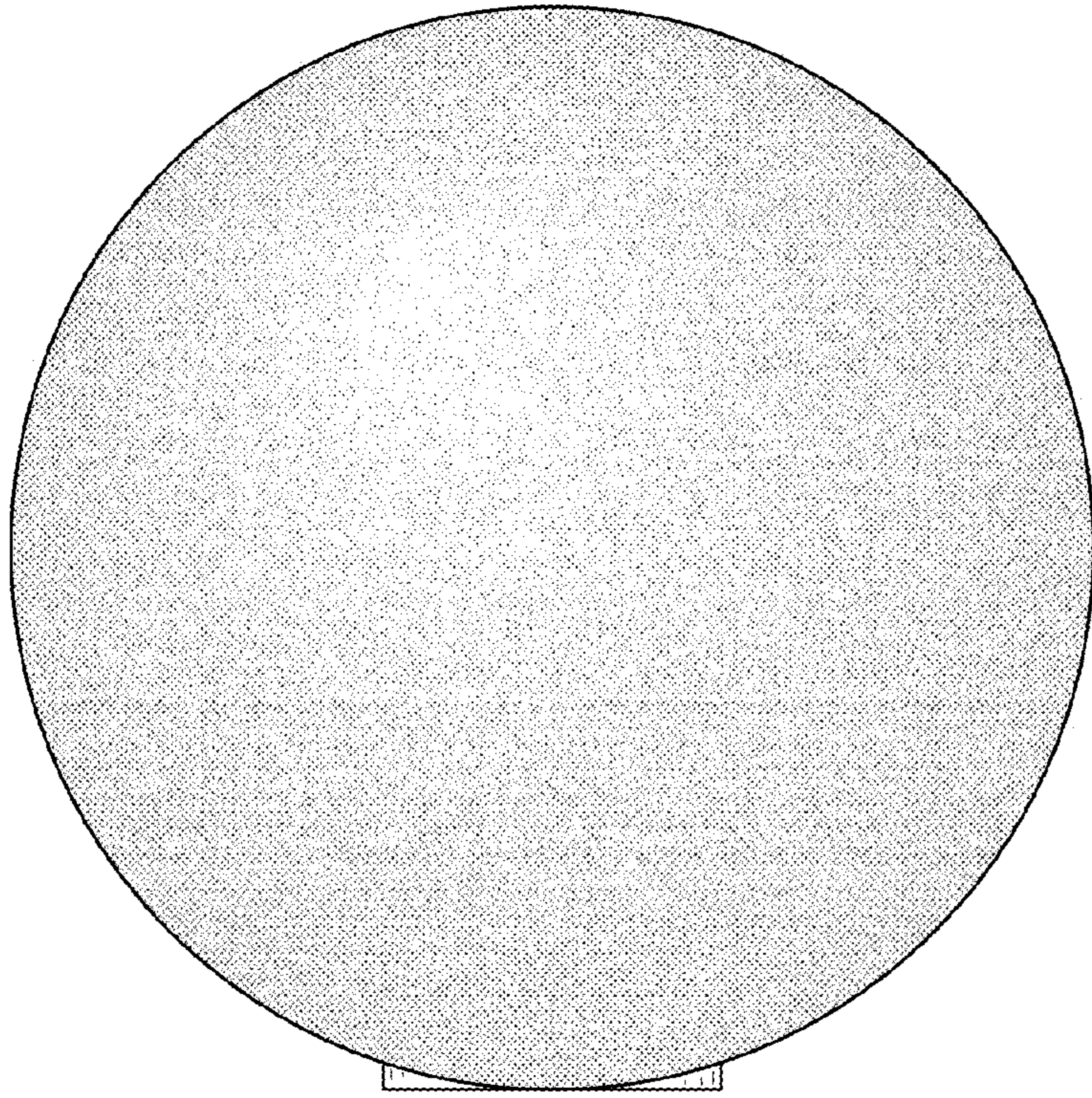


FIG. 4

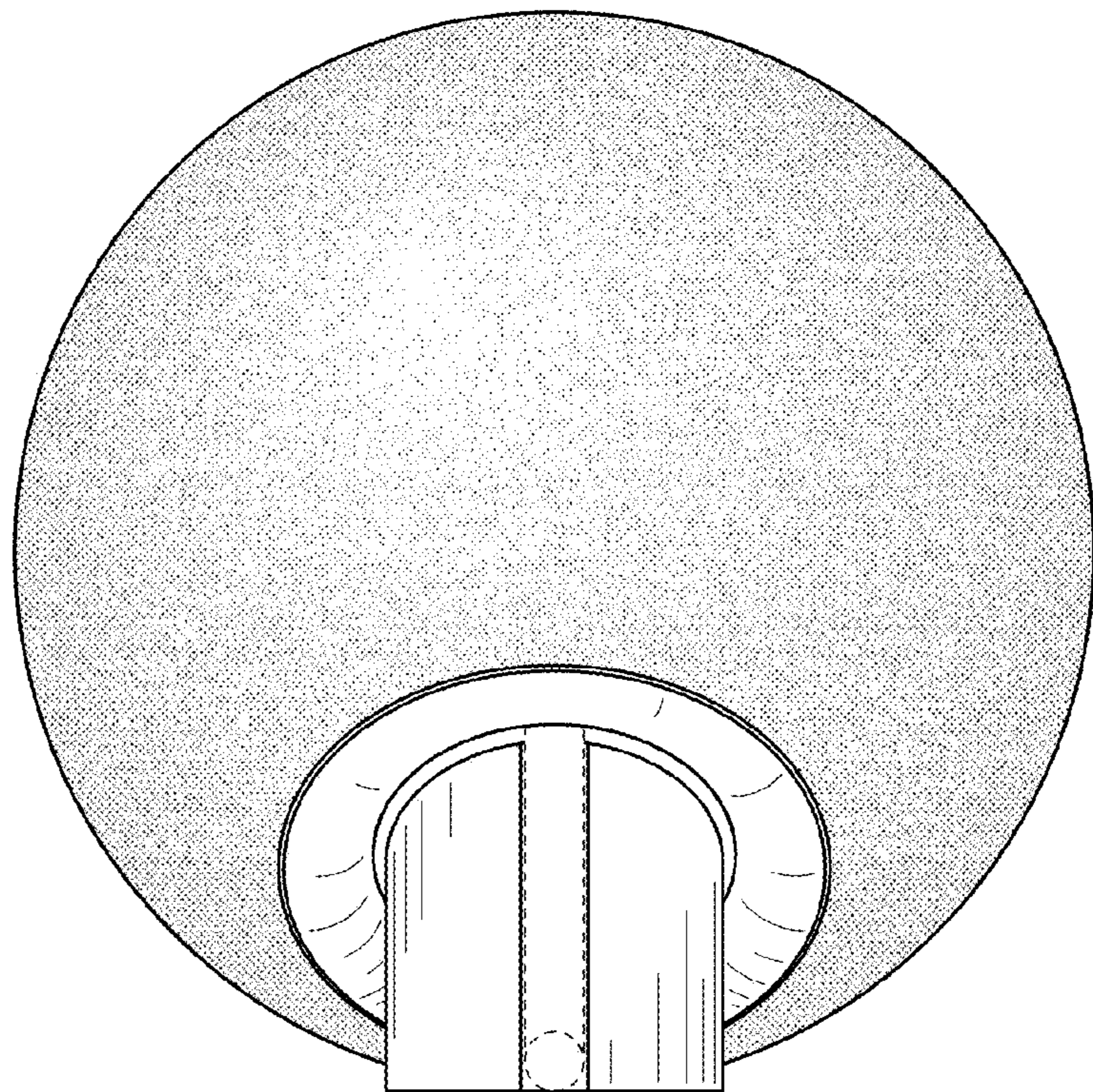


FIG. 5

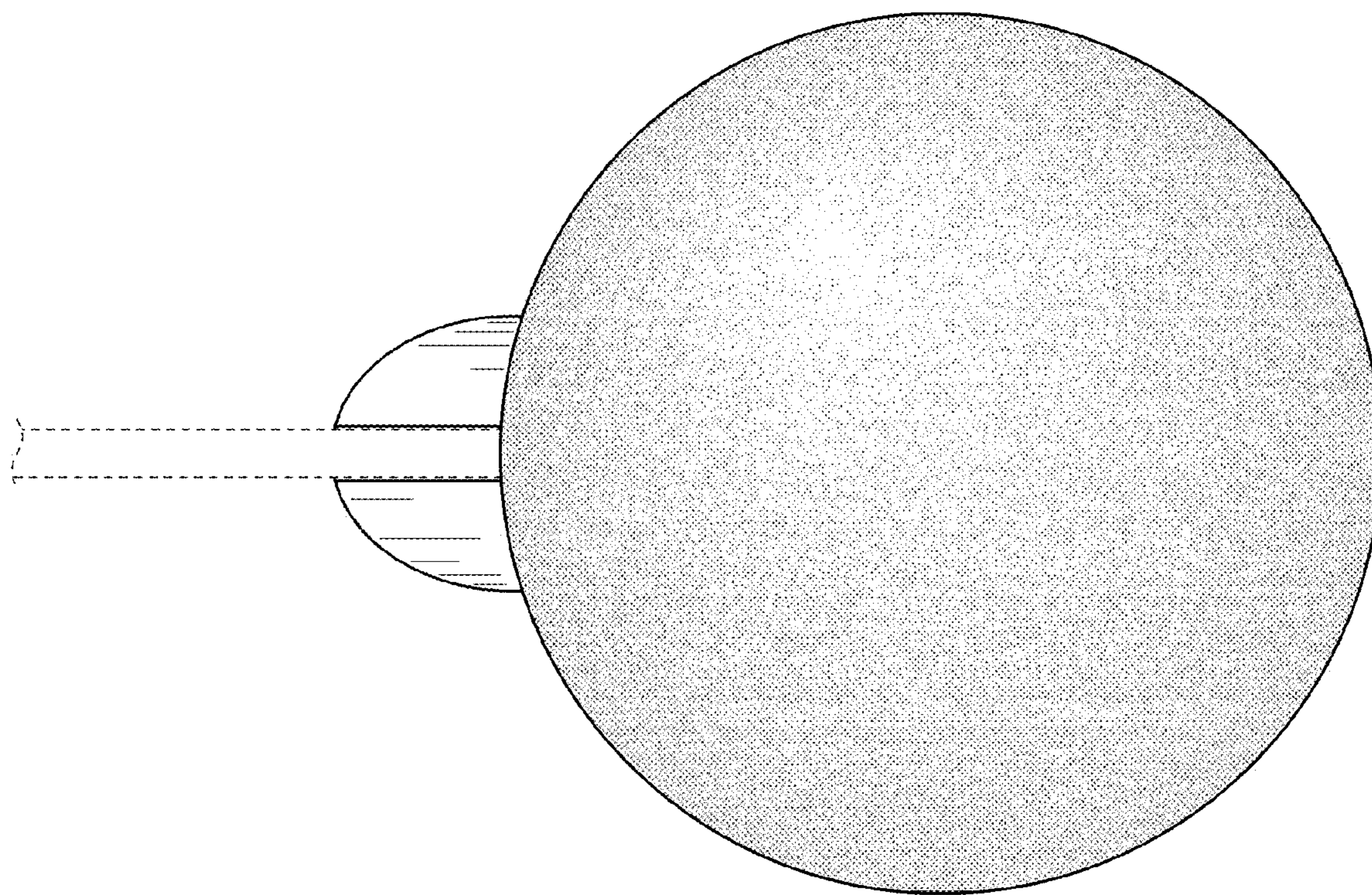


FIG. 6

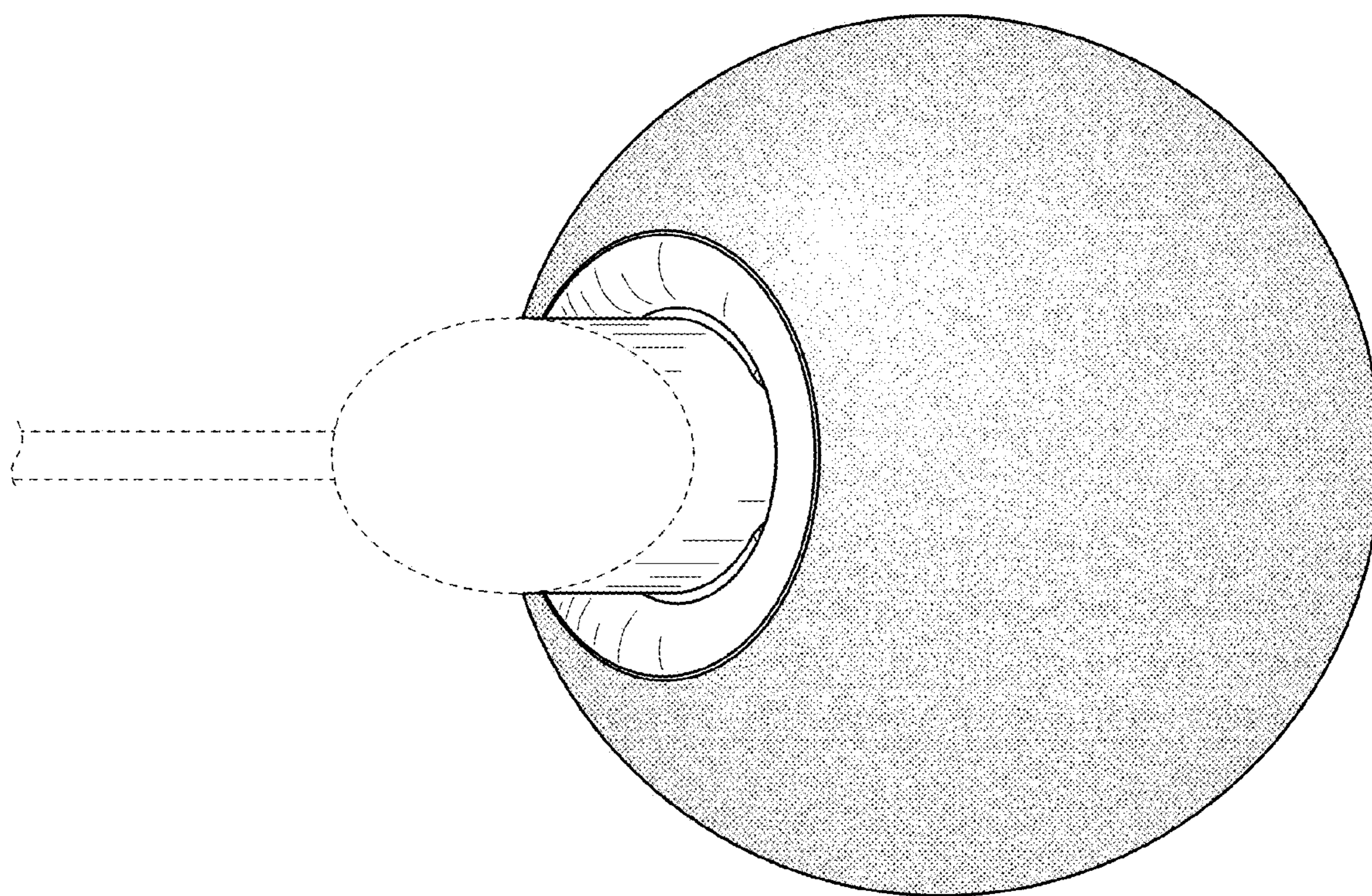


FIG. 7

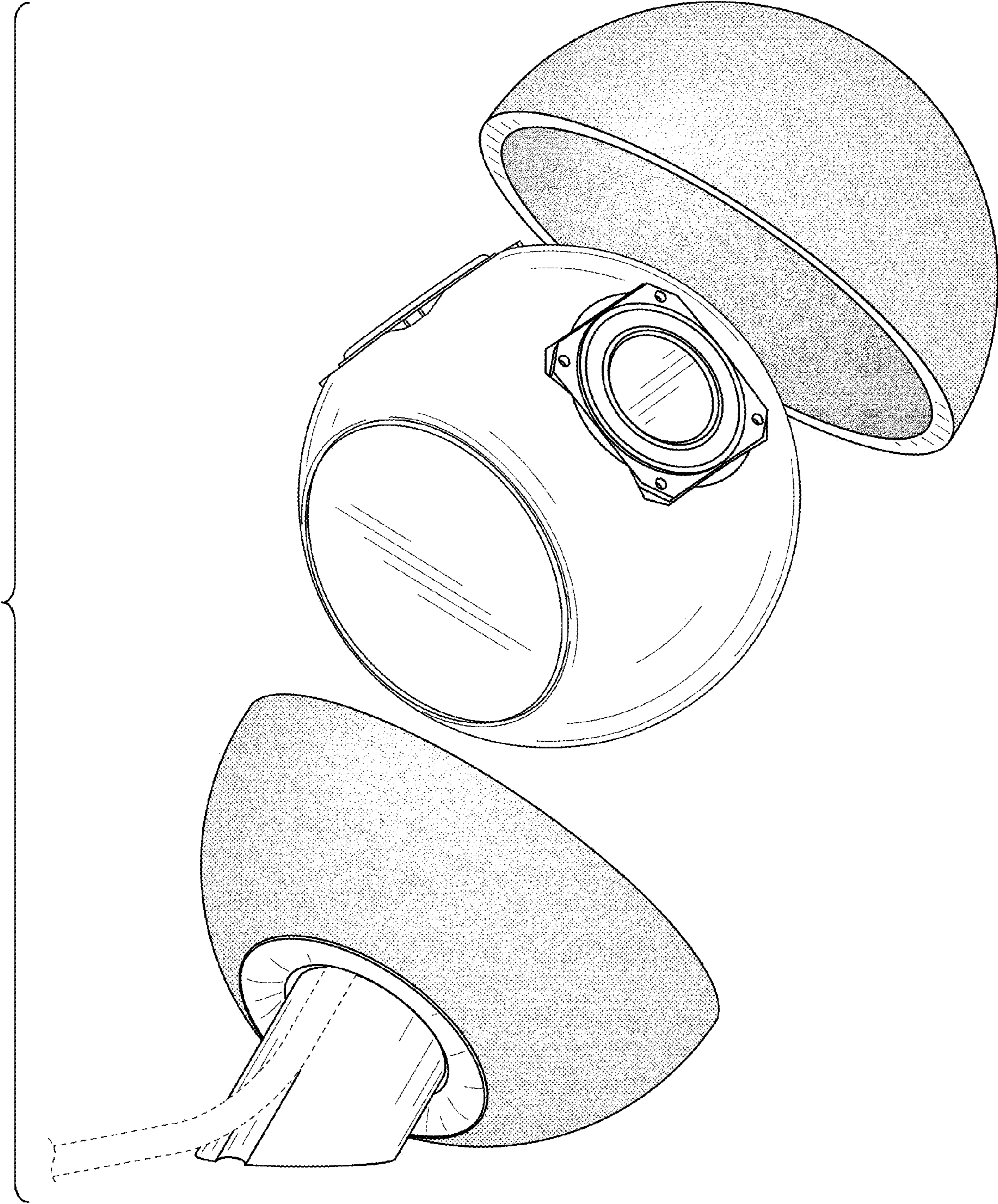


FIG. 8

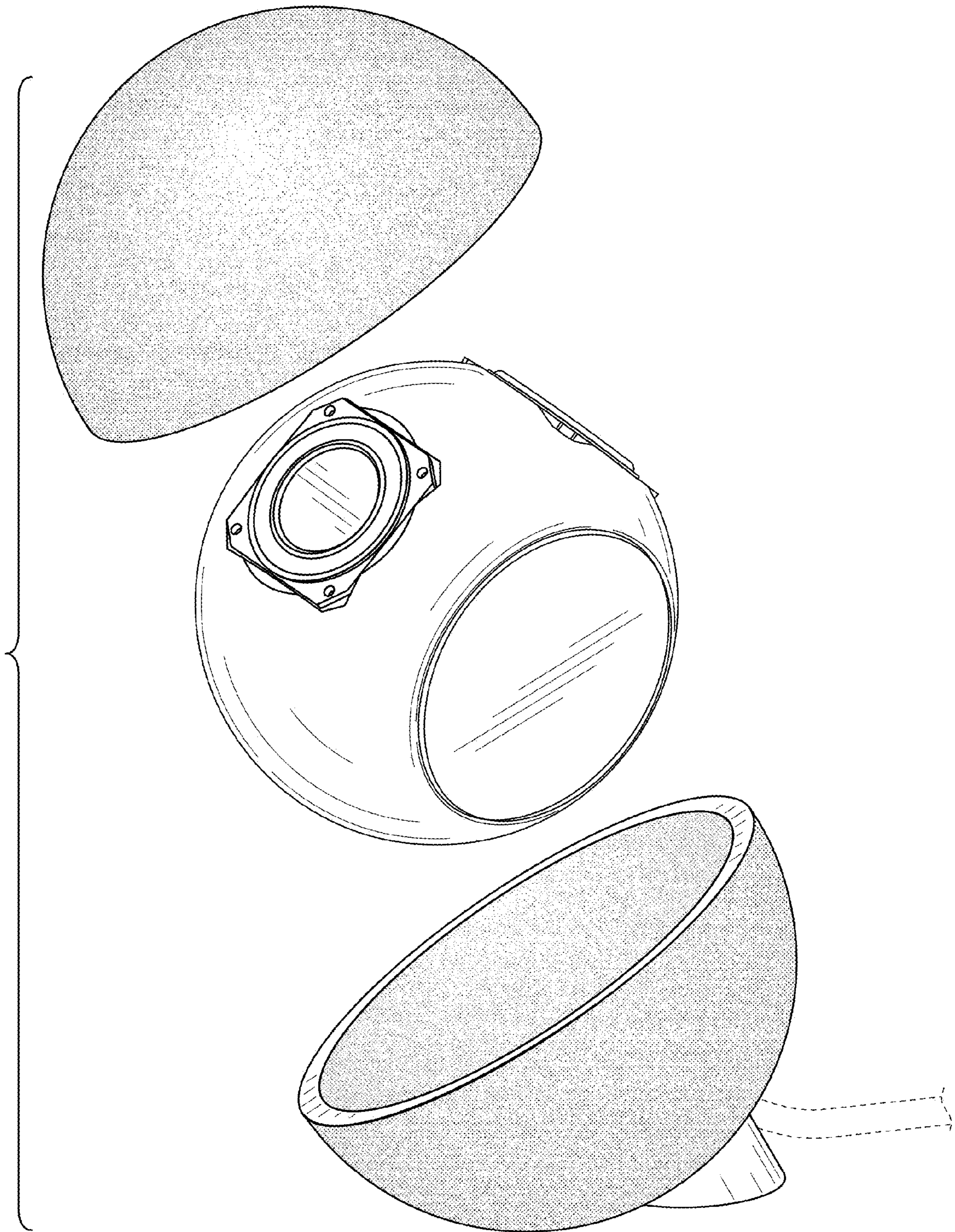


FIG. 9

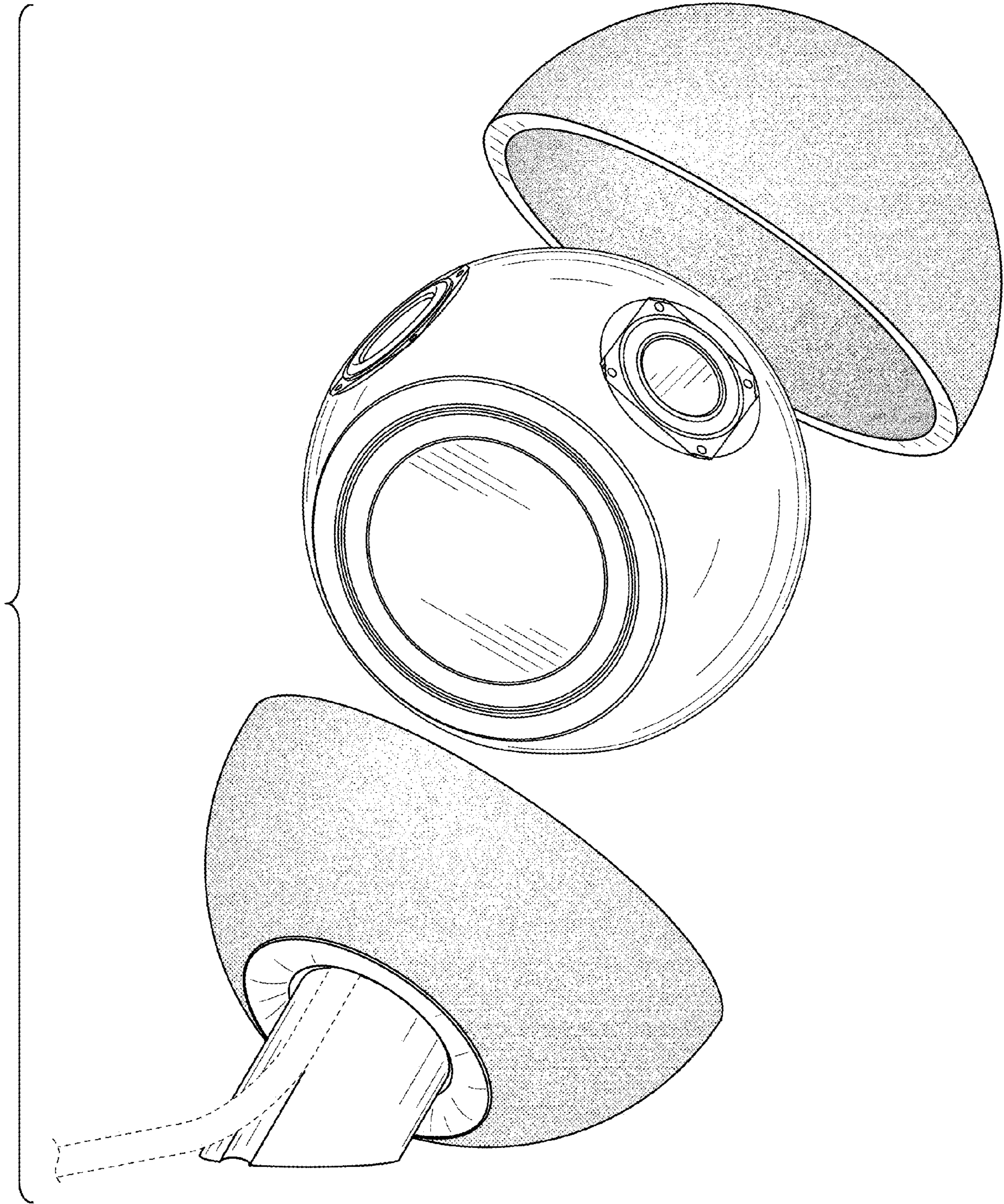


FIG. 10

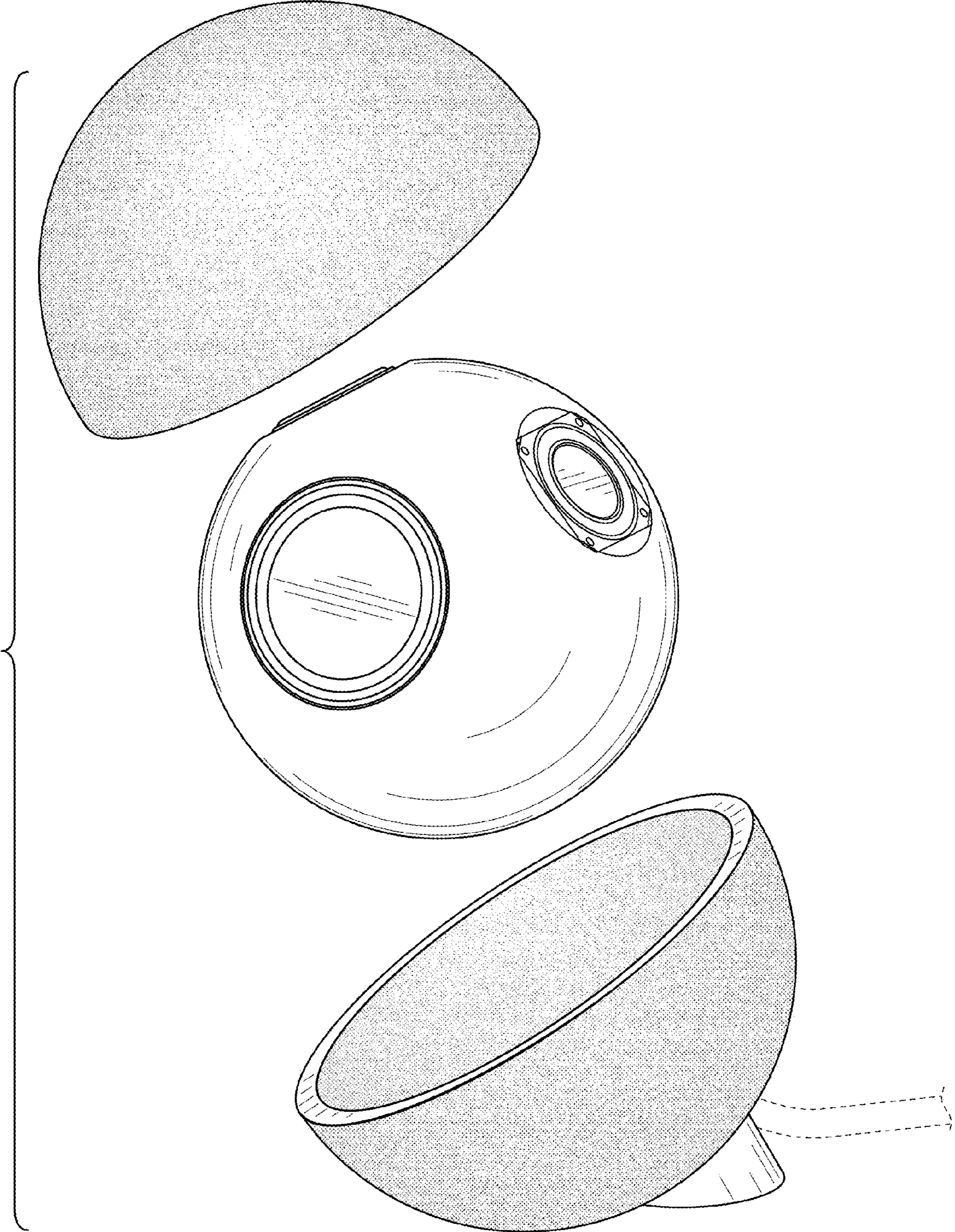


FIG. 11