

US00D922350S

(12) **United States Design Patent**
Pedersen

(10) **Patent No.:** **US D922,350 S**
(45) **Date of Patent:** **** Jun. 15, 2021**

(54) **HEADSET FOR TELEPHONE AND COMMUNICATION EQUIPMENT**

(71) Applicant: **GN AUDIO A/S**, Ballerup (DK)

(72) Inventor: **Rasmus Trudslev Pedersen**, Ballerup (DK)

(73) Assignee: **GN AUDIO A/S**, Ballerup (DK)

(**) Term: **15 Years**

(21) Appl. No.: **29/732,356**

(22) Filed: **Apr. 23, 2020**

Related U.S. Application Data

(62) Division of application No. 29/670,994, filed on Nov. 21, 2018, now Pat. No. Des. 898,711.

(30) **Foreign Application Priority Data**

Jun. 6, 2018 (EM) 005299229-0001
Jun. 6, 2018 (EM) 005299229-0002
Jun. 6, 2018 (EM) 005299229-0003

(51) **LOC (13) Cl.** **14-01**

(52) **U.S. Cl.**
USPC **D14/206**

(58) **Field of Classification Search**
USPC D14/206, 205, 225, 240, 243, 188, 192,
D14/226; 381/380, 381, 374; 455/90.3,
455/575.1, 569.1
CPC H04R 25/00; H04R 1/1066; H04R 1/1016;
H04R 5/033; H04R 5/0335; H04R
1/1091; H04R 19/04; H04R 1/105
See application file for complete search history.

(56) **References Cited**

U.S. PATENT DOCUMENTS

D246,259 S 11/1977 Nishimura
D246,519 S 11/1977 Kato

D286,874 S 11/1986 Bertagna
D291,198 S 8/1987 Bellini
5,018,599 A 5/1991 Dohi
D318,053 S * 7/1991 Ludeke D14/206
D337,116 S * 7/1993 Hattori D14/206
D344,730 S * 3/1994 Gattey D14/206
D345,163 S 3/1994 Yamatogi

(Continued)

FOREIGN PATENT DOCUMENTS

CN 303478980 12/2015
CN 305227307 * 6/2018

(Continued)

Primary Examiner — Paula Allen Greene

(74) *Attorney, Agent, or Firm* — Hamre, Schumann,
Mueller & Larson, P.C.

(57) **CLAIM**

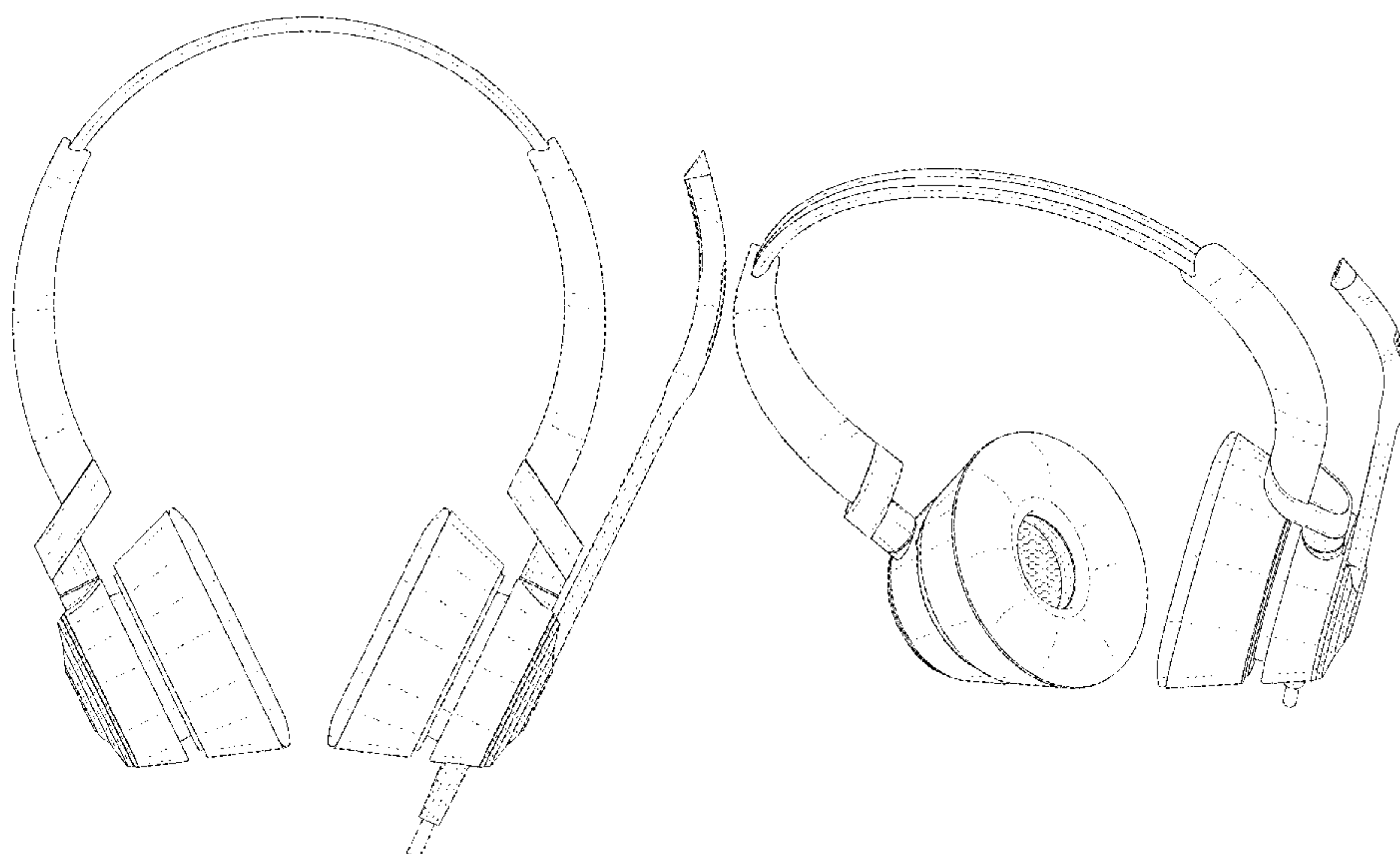
The ornamental design for a headset for telephone and communication equipment, as shown and described.

DESCRIPTION

FIG. 1 is a front view of a headset for telephone and communication equipment showing the new design;
FIG. 2 is bottom plan view of FIG. 1 thereof.
FIG. 3 is a top plan view of FIG. 1 thereof; the broken lines on the earpiece cushions represent the bounds of the claimed design;
FIG. 4 is a right side plan view of FIG. 1 thereof.
FIG. 5 is a left side plan view of FIG. 1 thereof.
FIG. 6 is a rear plan view of FIG. 1 thereof; and,
FIG. 7 is a top perspective view of FIG. 1; the broken lines on the earpiece cushions represent the bounds of the claimed design.

The features shown in broken lines depict environmental subject matter only and form no part of the claimed design.

1 Claim, 7 Drawing Sheets



(56)

References Cited

U.S. PATENT DOCUMENTS

D346,802 S 5/1994 Sacherman
 5,369,857 A 12/1994 Sacherman
 5,406,037 A 4/1995 Nageno
 D377,020 S * 12/1996 Bungardt D14/205
 D394,437 S * 5/1998 Landreth D14/206
 D410,466 S 6/1999 Mouri
 D410,921 S * 6/1999 Luchs D14/142
 D420,356 S 2/2000 Suzuki
 6,154,539 A * 11/2000 Pitel H04M 1/05
 379/430
 D435,249 S 12/2000 Yasutomi
 D436,348 S * 1/2001 McGugan D14/142
 D443,870 S * 6/2001 Carpenter D14/206
 D447,472 S 9/2001 McGugan
 D449,039 S 10/2001 Weikel
 D458,597 S 6/2002 Davies
 6,560,346 B2 5/2003 Dhata
 6,622,029 B1 * 9/2003 Skulley H04M 1/05
 379/430
 D482,019 S * 11/2003 Petersen D14/206
 D484,485 S 12/2003 Matsuoka
 D488,146 S * 4/2004 Minto D14/206
 D494,154 S 8/2004 Polito
 D494,957 S * 8/2004 Rath D14/206
 D498,470 S * 11/2004 Skulley D14/206
 D504,414 S 4/2005 Yoshida
 6,952,481 B2 * 10/2005 Larsen H04M 1/05
 381/74
 6,970,572 B2 * 11/2005 Murozaki H04M 1/05
 381/374
 D514,086 S 1/2006 Skulley
 D517,528 S 3/2006 Skulley
 D518,479 S 4/2006 Skulley
 D530,702 S * 10/2006 Pritchard D14/206
 D531,165 S 10/2006 Rath
 D533,514 S 12/2006 Hidalgo
 D534,156 S 12/2006 Obata
 D538,785 S * 3/2007 Skulley D14/206
 D539,267 S 3/2007 Komiyama
 D539,788 S 4/2007 Thompson
 D539,789 S 4/2007 Rausch
 D540,303 S 4/2007 Rausch
 D540,778 S * 4/2007 Thompson D14/206
 D541,256 S 4/2007 Rausch
 7,245,737 B2 * 7/2007 Amae H04R 1/1066
 381/374
 D549,688 S 8/2007 Suzuki
 D563,382 S 3/2008 Wikel
 D567,215 S 4/2008 Lee
 7,356,362 B2 4/2008 Chang
 D568,827 S 5/2008 Ikeda
 7,388,960 B2 6/2008 Kuo
 D573,957 S 7/2008 Ledbetter
 D582,890 S 12/2008 Koza
 D587,684 S * 3/2009 Ham D14/205
 D588,098 S 3/2009 Kurihara
 7,519,196 B2 * 4/2009 Bech H04R 1/105
 381/371
 D592,640 S 5/2009 Tkachuk
 D593,995 S 6/2009 Shimizu
 D601,543 S * 10/2009 Bentley D14/206
 D602,001 S * 10/2009 Bentley D14/206
 D602,906 S 10/2009 Groves
 D603,370 S 11/2009 Suzuki
 D604,266 S 11/2009 Milde
 D617,769 S 6/2010 Birger
 D628,189 S 11/2010 Rath
 D634,732 S 3/2011 Kondo

D635,962 S * 4/2011 Kelley D14/223
 D638,000 S * 5/2011 Hoggarth D14/206
 D639,776 S 6/2011 Arimoto
 D643,405 S * 8/2011 Rath D14/206
 D645,023 S 9/2011 Brandis
 D648,330 S 11/2011 Fischer
 3,061,473 A1 11/2011 Kerr
 D652,017 S 1/2012 Groves
 D654,471 S * 2/2012 Fischer D14/206
 D654,472 S * 2/2012 Fischer D14/206
 D668,240 S 10/2012 Brandis
 D673,524 S 1/2013 Brennwald
 D681,014 S 4/2013 Ham
 D684,145 S 6/2013 Rath
 D684,559 S 6/2013 Groset
 D691,110 S * 10/2013 Ham D14/205
 D692,410 S 10/2013 Brunner
 D707,655 S * 6/2014 Porter H04M 1/05
 D14/206
 D709,860 S 7/2014 Brunner
 D716,258 S 10/2014 Awiszus
 D716,259 S 10/2014 Awiszus
 D716,762 S 11/2014 Greve
 D719,135 S 12/2014 Kelley
 D725,074 S 3/2015 Boeckel
 D726,147 S 4/2015 Tran
 D726,160 S 4/2015 Chang
 D728,512 S * 5/2015 Nakagawa D14/205
 D732,002 S 6/2015 Goransson
 D750,043 S 2/2016 Birger
 9,426,554 B2 * 8/2016 Dai H04M 1/6058
 D769,212 S 10/2016 Larsen
 D806,675 S * 1/2018 Fuglsang D14/206
 D806,676 S 1/2018 Fuglsang
 D811,371 S 2/2018 Meyer
 D820,812 S * 6/2018 Bidwell D14/206
 D822,638 S * 7/2018 Liu D14/206
 D830,339 S * 10/2018 Yan D14/206
 D842,267 S 3/2019 Pedersen
 D843,967 S 3/2019 Paterson
 D847,782 S * 5/2019 Wernblad D14/206
 D847,783 S * 5/2019 Wernblad D14/206
 D847,784 S * 5/2019 Wernblad D14/206
 D848,395 S 5/2019 Kelley
 D866,513 S 11/2019 Lindof
 D866,514 S 11/2019 Lindof
 D867,330 S 11/2019 Lindof
 D867,331 S 11/2019 Lindof
 D868,734 S 12/2019 Wang
 D875,073 S * 2/2020 Pedersen D14/206
 D885,364 S * 5/2020 Paterson D14/206
 D898,701 S * 10/2020 Zhong D14/206
 D898,711 S * 10/2020 Pedersen D14/225
 D906,282 S * 12/2020 Kelley D14/206
 2011/0135134 A1 6/2011 Essabar
 2011/0206216 A1 8/2011 Brunner
 2011/0306393 A1 * 12/2011 Goldman H04M 1/6066
 455/575.2
 2012/0163616 A1 6/2012 Birch
 2012/0328119 A1 12/2012 Heise
 2020/0413195 A1 * 12/2020 Wahlin H04R 1/1008

FOREIGN PATENT DOCUMENTS

CN 305412569 11/2019
 CN 306128872 * 10/2020
 CN 306128873 * 10/2020
 CN 306210268 * 12/2020
 EM 001676982-0002 8/2012
 JP D1106438 2/2001

* cited by examiner

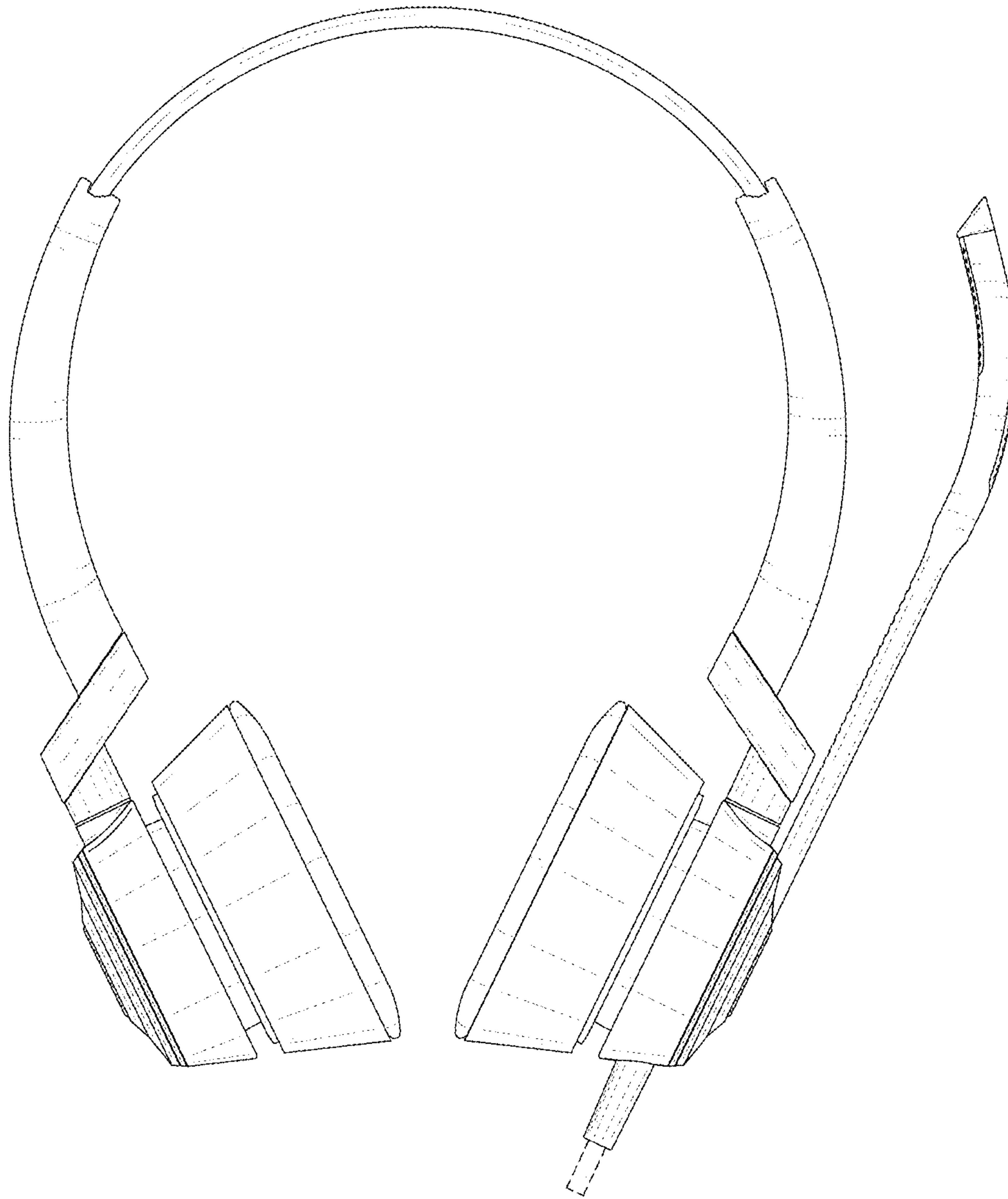


FIG.1

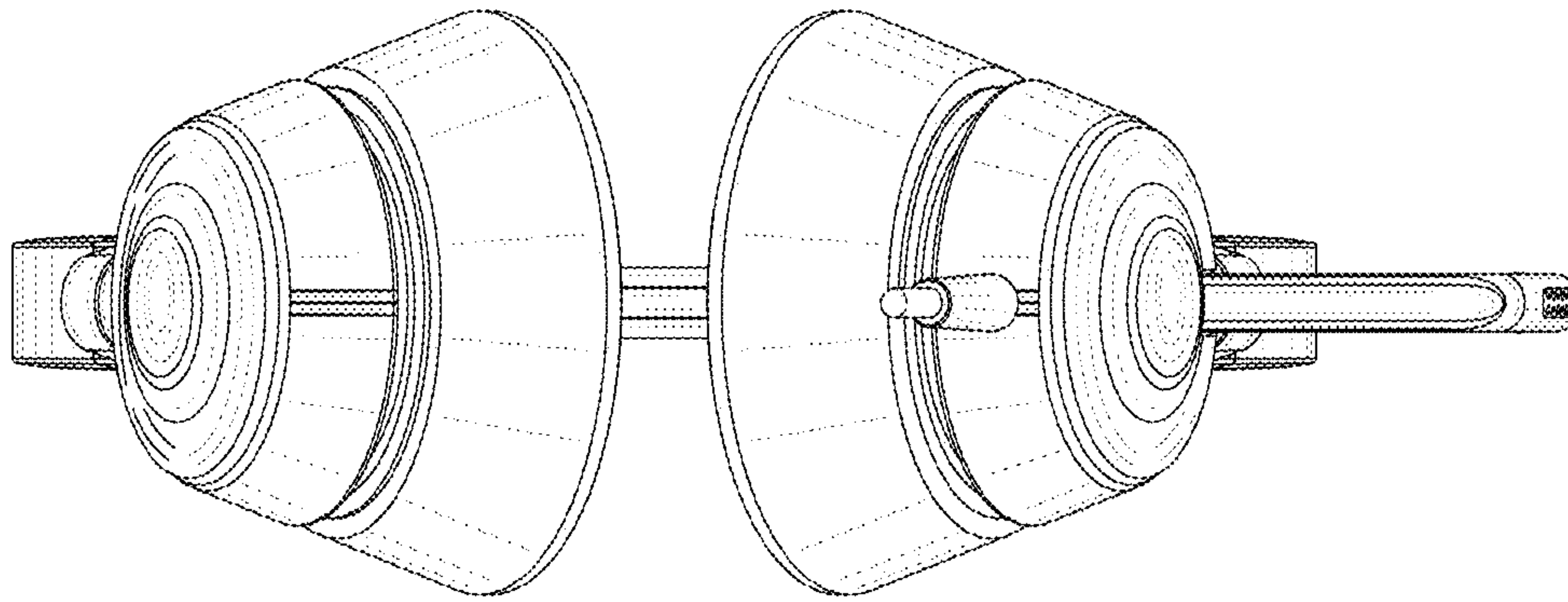


FIG.2

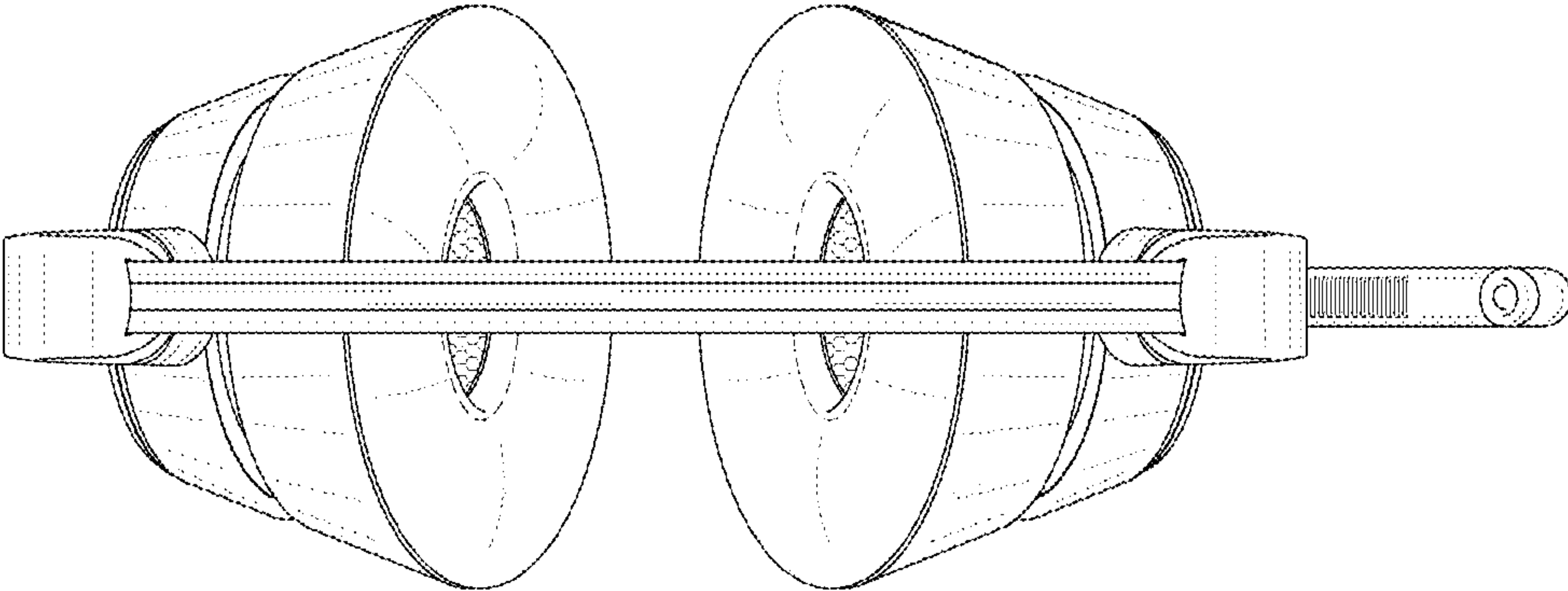


FIG.3

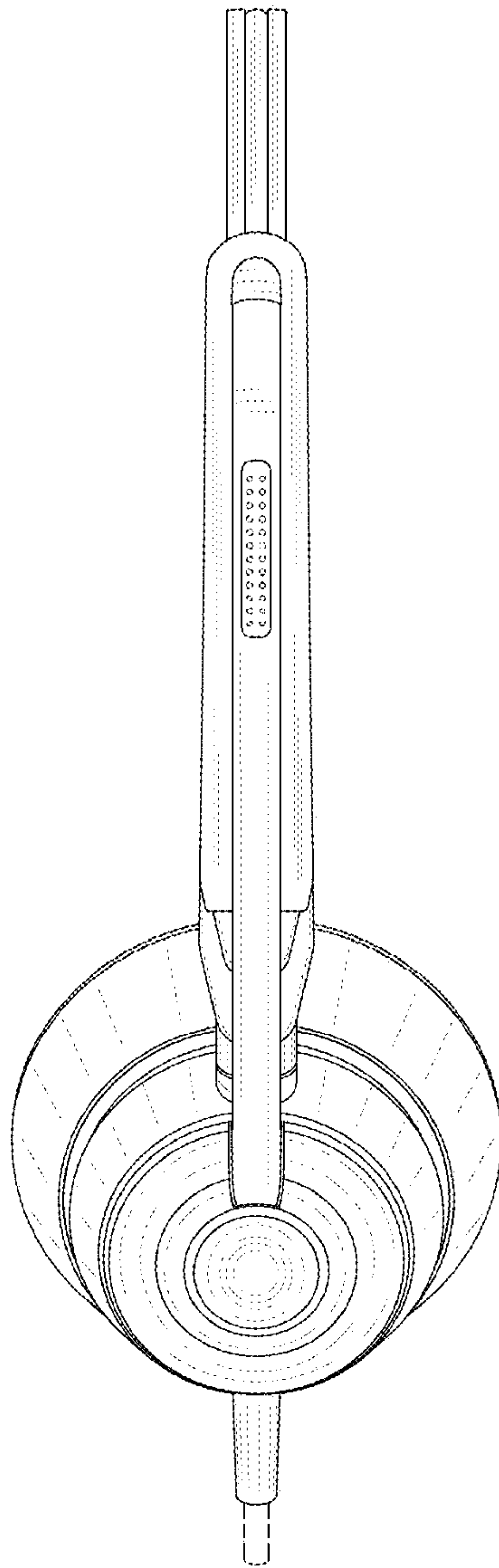


FIG.4

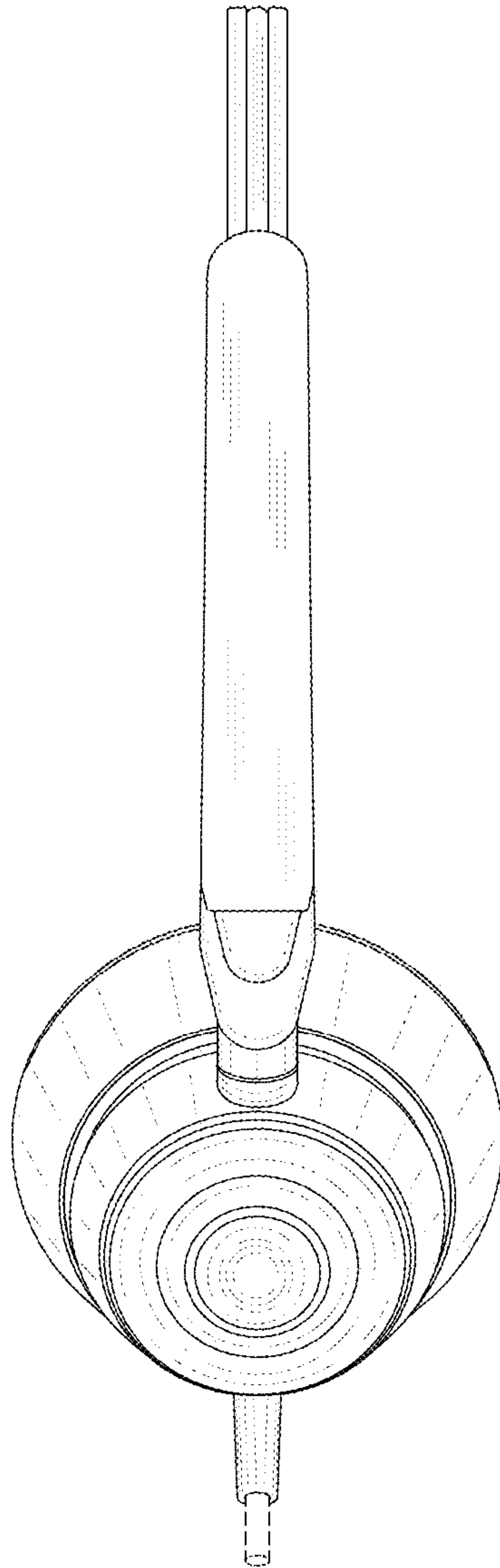


FIG.5

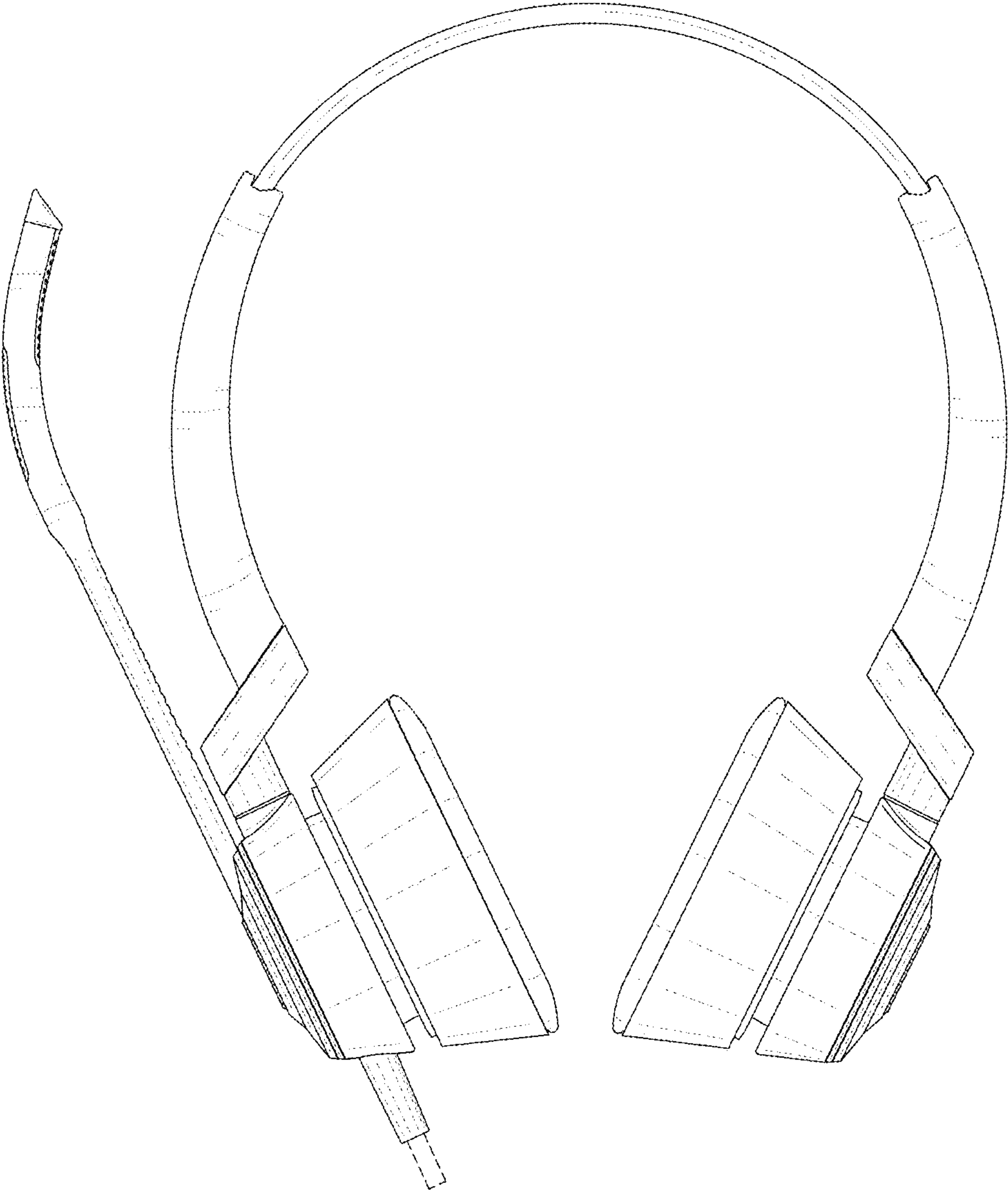


FIG.6

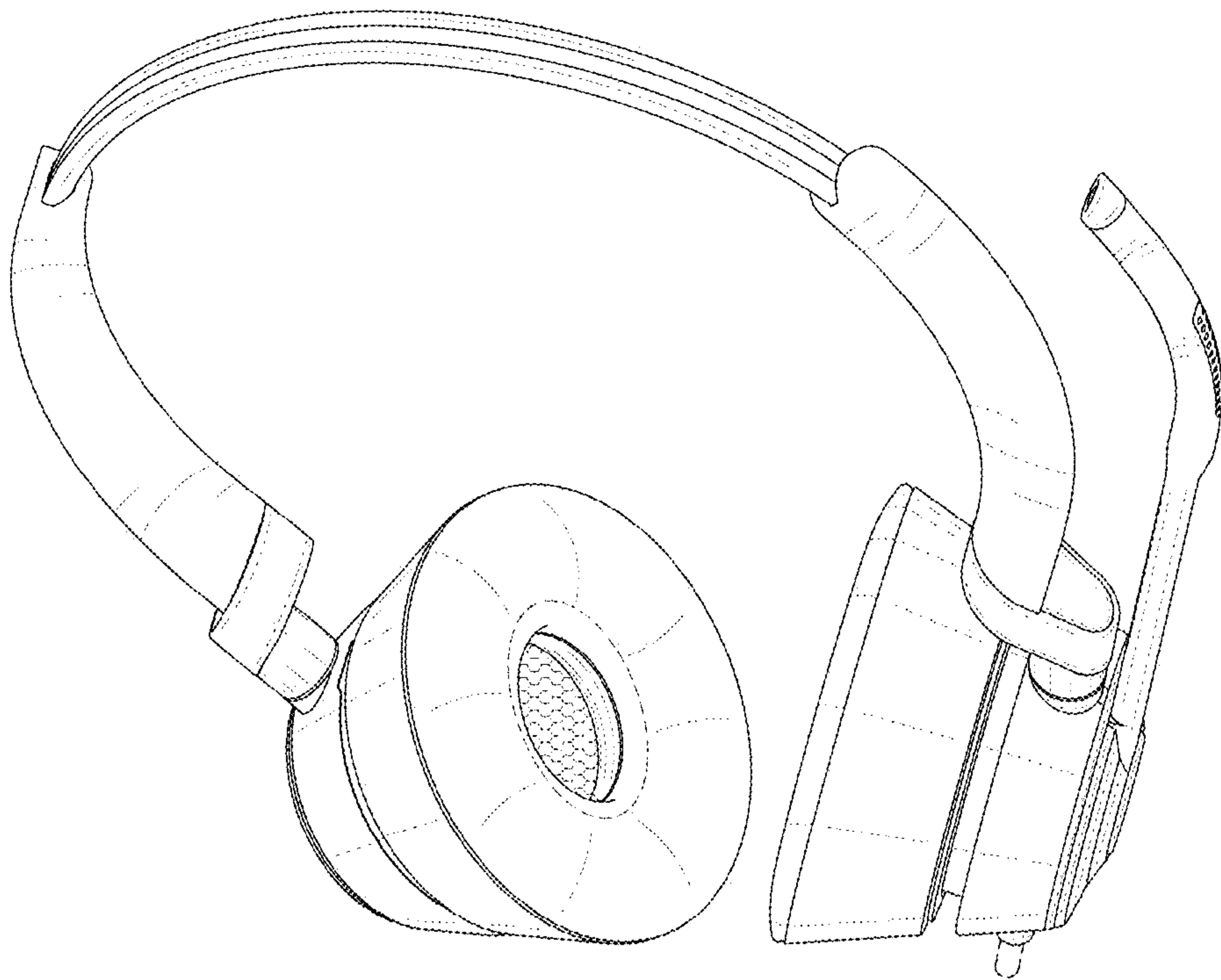


FIG.7