



US00D922349S

(12) **United States Design Patent**
Pedersen

(10) **Patent No.:** **US D922,349 S**
(45) **Date of Patent:** **** Jun. 15, 2021**

(54) **HEADSET FOR TELEPHONE AND COMMUNICATION EQUIPMENT**

(71) Applicant: **GN AUDIO A/S**, Ballerup (DK)

(72) Inventor: **Rasmus Trudslev Pedersen**, Ballerup (DK)

(73) Assignee: **GN AUDIO A/S**, Ballerup (DK)

(**) Term: **15 Years**

(21) Appl. No.: **29/732,341**

(22) Filed: **Apr. 23, 2020**

Related U.S. Application Data

(62) Division of application No. 29/670,994, filed on Nov. 21, 2018, now Pat. No. Des. 898,711.

(30) **Foreign Application Priority Data**

Jun. 6, 2018 (EM) 005299229-0001
Jun. 6, 2018 (EM) 005299229-0002
Jun. 6, 2018 (EM) 005299229-0003

(51) **LOC (13) Cl.** **14-01**

(52) **U.S. Cl.**
USPC **D14/206**

(58) **Field of Classification Search**
USPC D14/206, 205, 225, 240, 243, 226, 188,
D14/192; 381/380, 381, 374; 455/90.3,
455/575.1, 569.1
CPC .. H04R 25/00; H04R 1/10166; H04R 1/1016;
H04R 5/033; H04R 5/0335; H04R
1/1091; H04R 19/04; H04R 1/105
See application file for complete search history.

(56) **References Cited**

U.S. PATENT DOCUMENTS

D246,259 S 11/1977 Nishimura
D246,519 S 11/1977 Kato

D286,874 S 11/1986 Bertagna
D291,198 S 8/1987 Bellini
5,018,599 A 5/1991 Dohi
D318,053 S * 7/1991 Ludeke D14/206
D337,116 S * 7/1993 Hattori D14/206
D344,730 S * 3/1994 Gattey D14/206
D345,163 S 3/1994 Yamatogi
D346,802 S 5/1994 Sacherman
5,369,857 A 12/1994 Sacherman

(Continued)

FOREIGN PATENT DOCUMENTS

CN 303478980 12/2015
CN 305227307 * 6/2018

(Continued)

Primary Examiner — Paula Allen Greene

(74) *Attorney, Agent, or Firm* — Hamre, Schumann,
Mueller & Larson, P.C.

(57) **CLAIM**

The ornamental design for a headset for telephone and communication equipment, as shown and described.

DESCRIPTION

FIG. 1 is a front plan view of the headset for telephone and communication equipment.

FIG. 2 is bottom plan view of FIG. 1 thereof.

FIG. 3 is a top plan view of FIG. 1 thereof; the broken lines on the earpiece cushions represent the bounds of the claimed design;

FIG. 4 is a right side plan view of FIG. 1 thereof.

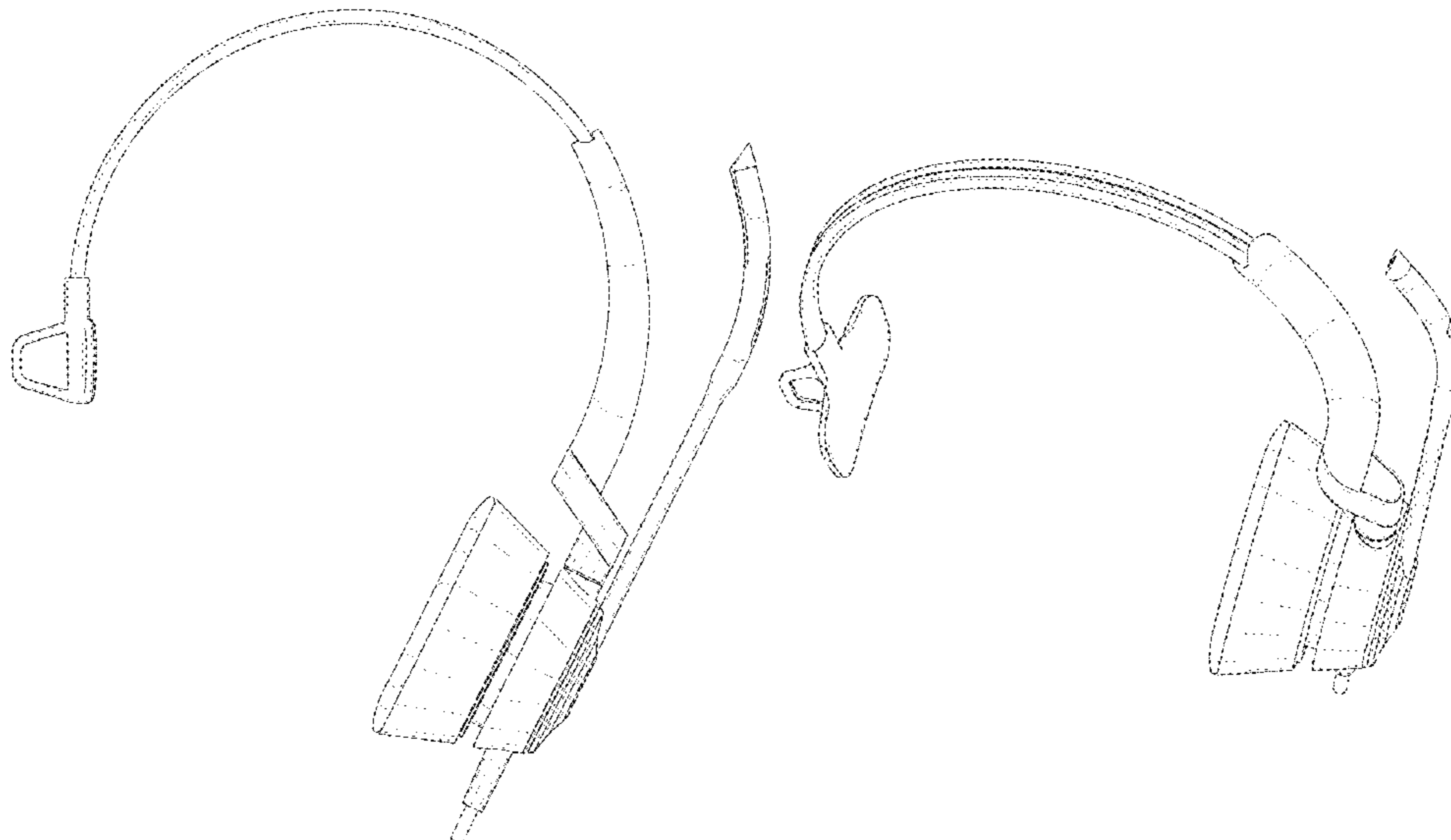
FIG. 5 is a left side plan view of FIG. 1 thereof.

FIG. 6 is a rear plan view of FIG. 1 thereof; and,

FIG. 7 is a top perspective view of FIG. 1 thereof.

The features shown in broken lines depict environmental subject matter only and form no part of the claimed design.

1 Claim, 7 Drawing Sheets



(56)

References Cited

U.S. PATENT DOCUMENTS

5,406,037 A 4/1995 Nageno
D377,020 S * 12/1996 Bungardt D14/205
D394,437 S * 5/1998 Landreth D14/206
D410,466 S 6/1999 Mouri
D410,921 S * 6/1999 Luchs D14/142
D420,356 S 2/2000 Suzuki
6,154,539 A * 11/2000 Pitel H04M 1/05
379/430
D435,249 S 12/2000 Yasutomi
D436,348 S * 1/2001 McGugan D14/142
D443,870 S * 6/2001 Carpenter D14/206
D447,472 S 9/2001 McGugan
D449,039 S 10/2001 Weikel
D458,597 S 6/2002 Davies
6,560,346 B2 5/2003 Ohta
6,622,029 B1 * 9/2003 Skulley H04M 1/05
379/430
D482,019 S * 11/2003 Petersen D14/206
D484,485 S 12/2003 Matsuoka
D488,146 S * 4/2004 Minto D14/206
D494,154 S 8/2004 Polito
D494,957 S * 8/2004 Rath D14/206
D498,470 S * 11/2004 Skulley D14/206
D504,414 S 4/2005 Yoshida
6,952,481 B2 * 10/2005 Larsen H04M 1/05
381/74
6,970,572 B2 * 11/2005 Murozaki H04M 1/05
381/374
D514,086 S 1/2006 Skulley
D517,528 S 3/2006 Skulley
D518,479 S 4/2006 Skulley
D530,702 S * 10/2006 Pritchard D14/206
D531,165 S 10/2006 Rath
D533,514 S 12/2006 Hidalgo
D534,156 S 12/2006 Obata
D538,785 S * 3/2007 Skulley D14/206
D539,267 S 3/2007 Komiyama
D539,788 S 4/2007 Thompson
D539,789 S 4/2007 Rausch
D540,303 S 4/2007 Rausch
D540,778 S * 4/2007 Thompson D14/206
D541,256 S 4/2007 Rausch
7,245,737 B2 * 7/2007 Amae H04R 1/1066
381/374
D549,688 S 8/2007 Suzuki
D563,382 S 3/2008 Wikel
D567,215 S 4/2008 Lee
7,356,362 B2 4/2008 Chang
D568,827 S 5/2008 Ikeda
7,388,960 B2 6/2008 Kuo
D573,957 S 7/2008 Ledbetter
D582,890 S 12/2008 Koza
D587,684 S * 3/2009 Ham D14/205
D588,098 S 3/2009 Kurihara
7,519,196 B2 * 4/2009 Bech H04R 1/105
381/371
D592,640 S 5/2009 Tkachuk
D593,995 S 6/2009 Shimizu
D601,543 S * 10/2009 Bentley D14/206
D602,001 S * 10/2009 Bentley D14/206
D602,906 S 10/2009 Groves
D603,370 S 11/2009 Suzuki
D604,266 S 11/2009 Milde
D617,769 S 6/2010 Birger
D628,189 S 11/2010 Rath
D634,732 S 3/2011 Kondo

D635,962 S * 4/2011 Kelley D14/223
D638,000 S * 5/2011 Hoggarth D14/206
D639,776 S 6/2011 Arimoto
D643,405 S * 8/2011 Rath D14/206
D645,023 S 9/2011 Brandis
D648,330 S 11/2011 Fischer
8,061,473 B1 11/2011 Kerr
D652,017 S 1/2012 Groves
D654,471 S * 2/2012 Fischer D14/206
D654,472 S * 2/2012 Fischer D14/206
D668,240 S 10/2012 Brandis
D673,524 S 1/2013 Brennwald
D681,014 S 4/2013 Ham
D684,145 S 6/2013 Rath
D684,559 S 6/2013 Groset
D691,110 S * 10/2013 Ham D14/205
D692,410 S 10/2013 Brunner
D707,655 S * 6/2014 Porter H04M 1/05
D14/206
D709,860 S 7/2014 Brunner
D716,258 S 10/2014 Awiszus
D716,259 S 10/2014 Awiszus
D716,762 S 11/2014 Greve
D719,135 S 12/2014 Kelley
D725,074 S 3/2015 Boeckel
D726,147 S 4/2015 Tran
D726,160 S 4/2015 Chang
D728,512 S 5/2015 Nakagawa
D732,002 S 6/2015 Goransson
D750,043 S 2/2016 Birger
9,426,554 B2 * 8/2016 Dai H04M 1/6058
D769,212 S 10/2016 Larsen
D806,676 S 1/2018 Fuglsang
D811,371 S 2/2018 Meyer
D820,812 S * 6/2018 Bidwell D14/206
D822,638 S * 7/2018 Liu D14/206
D830,339 S * 10/2018 Yan D14/206
D842,267 S 3/2019 Pedersen
D843,967 S 3/2019 Paterson
D847,782 S * 5/2019 Wernblad D14/206
D847,783 S * 5/2019 Wernblad D14/206
D847,784 S * 5/2019 Wernblad D14/206
D848,395 S 5/2019 Kelley
D866,513 S 11/2019 Lindof
D866,514 S 11/2019 Lindof
D867,330 S 11/2019 Lindof
D867,331 S 11/2019 Lindof
D868,734 S 12/2019 Wang
D885,364 S * 5/2020 Paterson D14/206
D898,701 S * 10/2020 Zhong D14/206
D898,711 S * 10/2020 Pedersen D14/225
D906,282 S * 12/2020 Kelley D14/206
2011/0135134 A1 6/2011 Essabar
2011/0206216 A1 8/2011 Brunner
2011/0306393 A1 * 12/2011 Goldman H04M 1/6066
455/575.2
2012/0163616 A1 6/2012 Birch
2012/0328119 A1 12/2012 Heise
2020/0413195 A1 * 12/2020 Wahlin H04R 1/1008

FOREIGN PATENT DOCUMENTS

CN 305227308 * 6/2018
CN 305412569 11/2019
CN 306128873 * 10/2020
CN 306210268 * 12/2020
EM 301676982-0002 8/2012
JP D1106438 2/2001

* cited by examiner

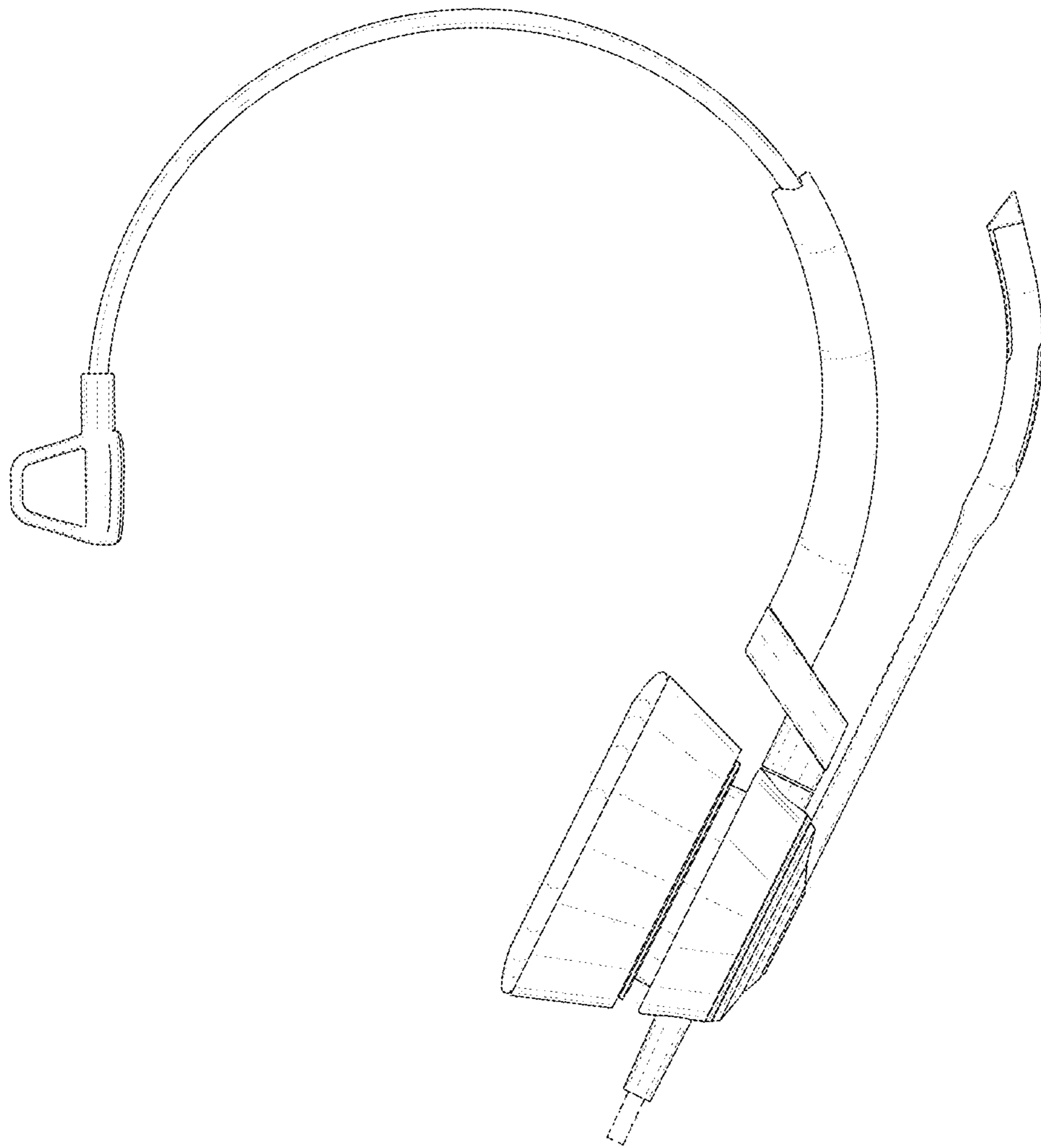


FIG.1

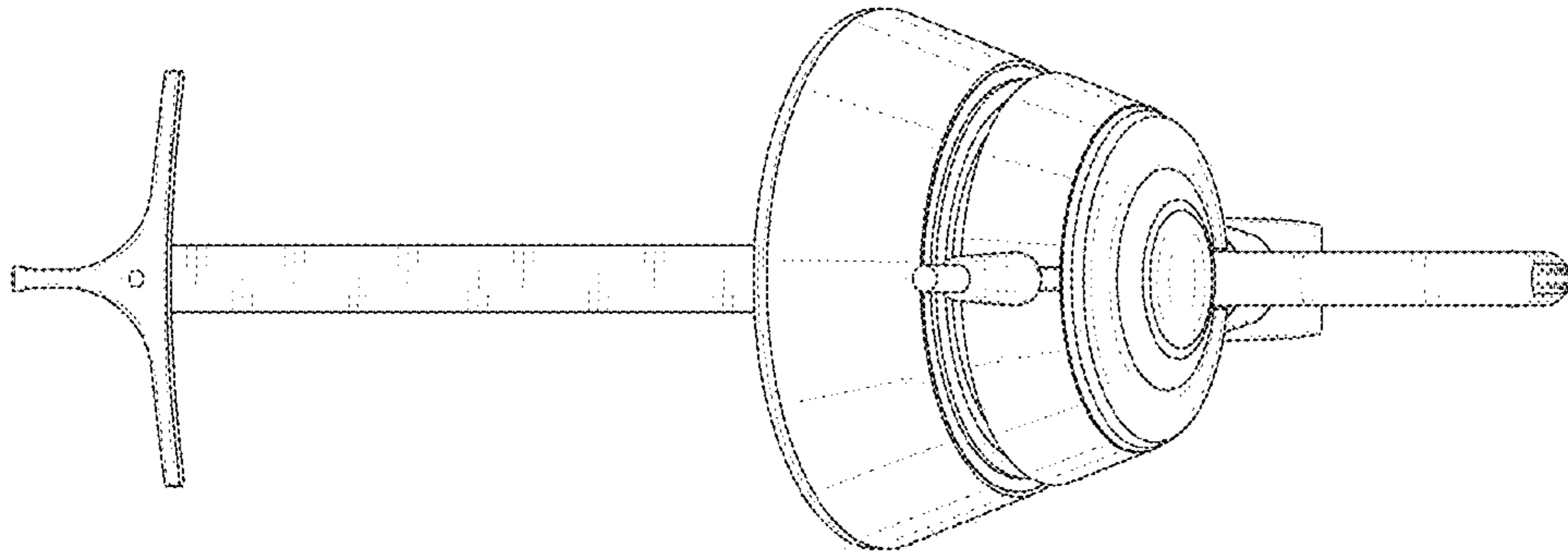


FIG.2

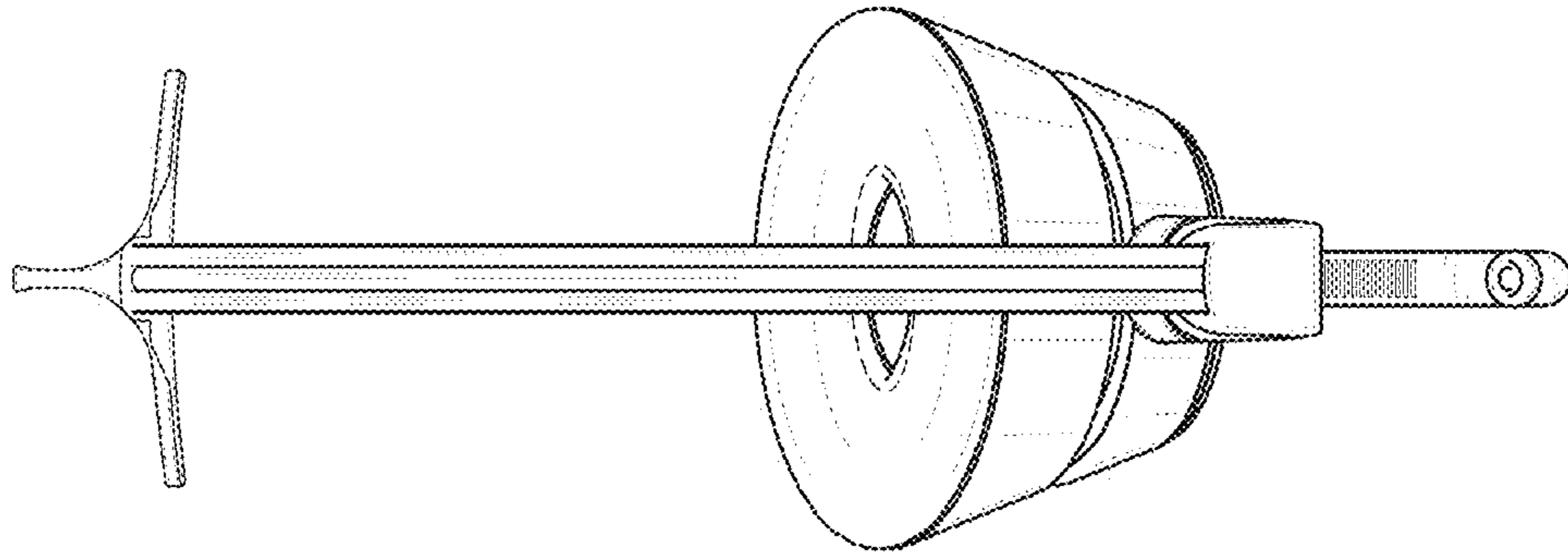


FIG.3

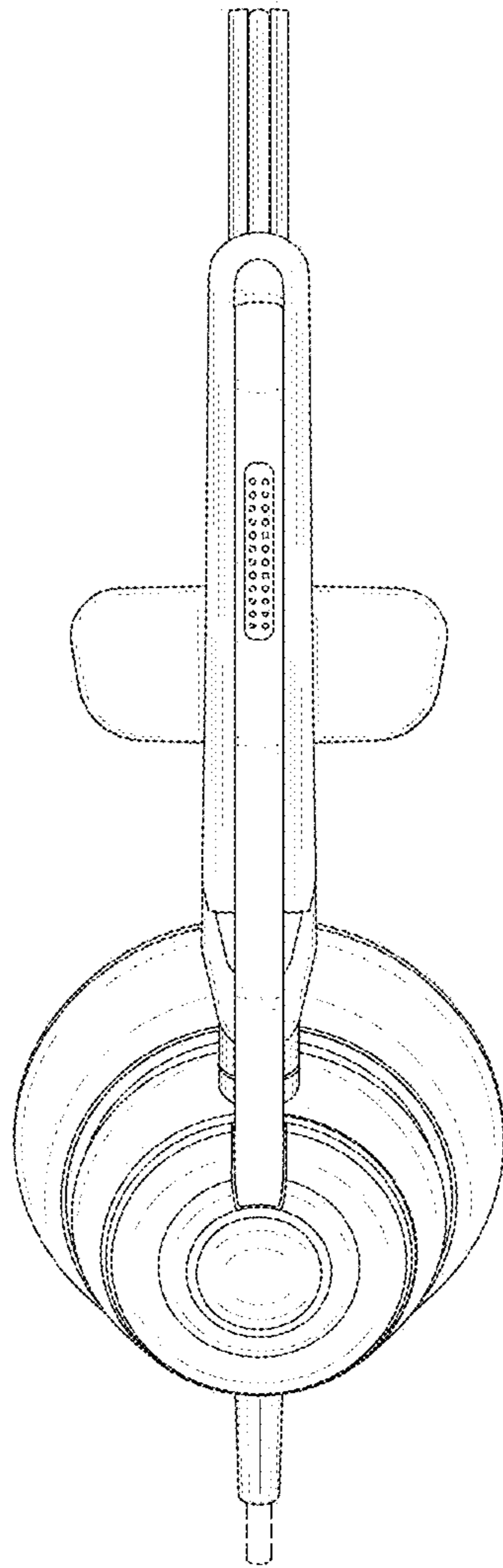


FIG.4

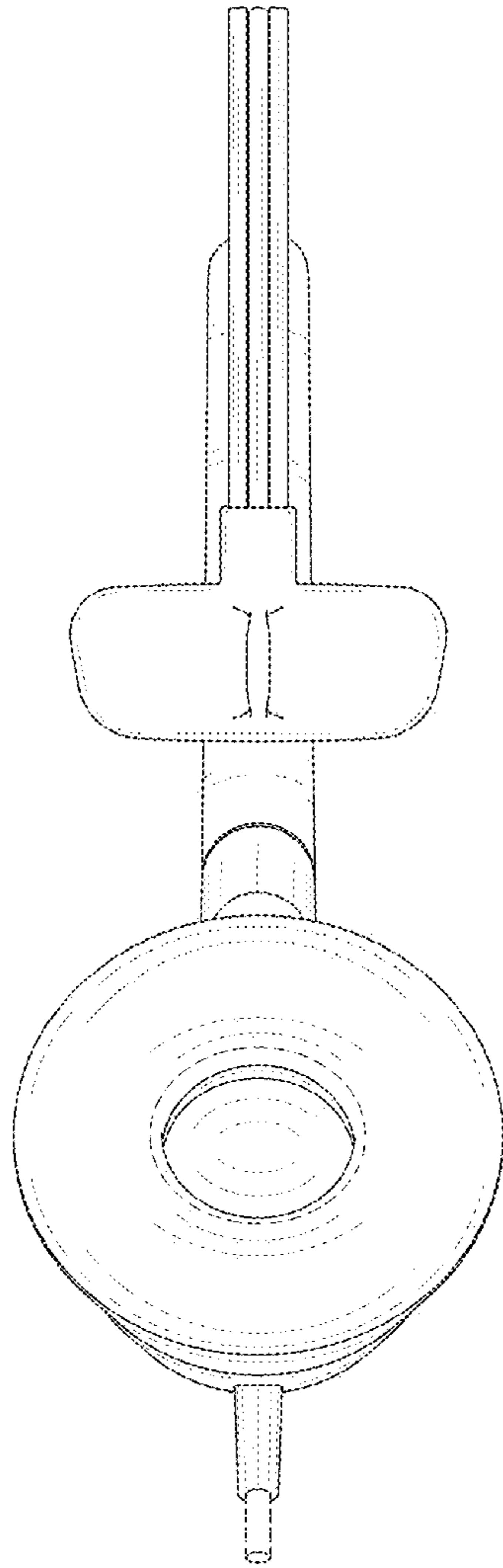


FIG.5

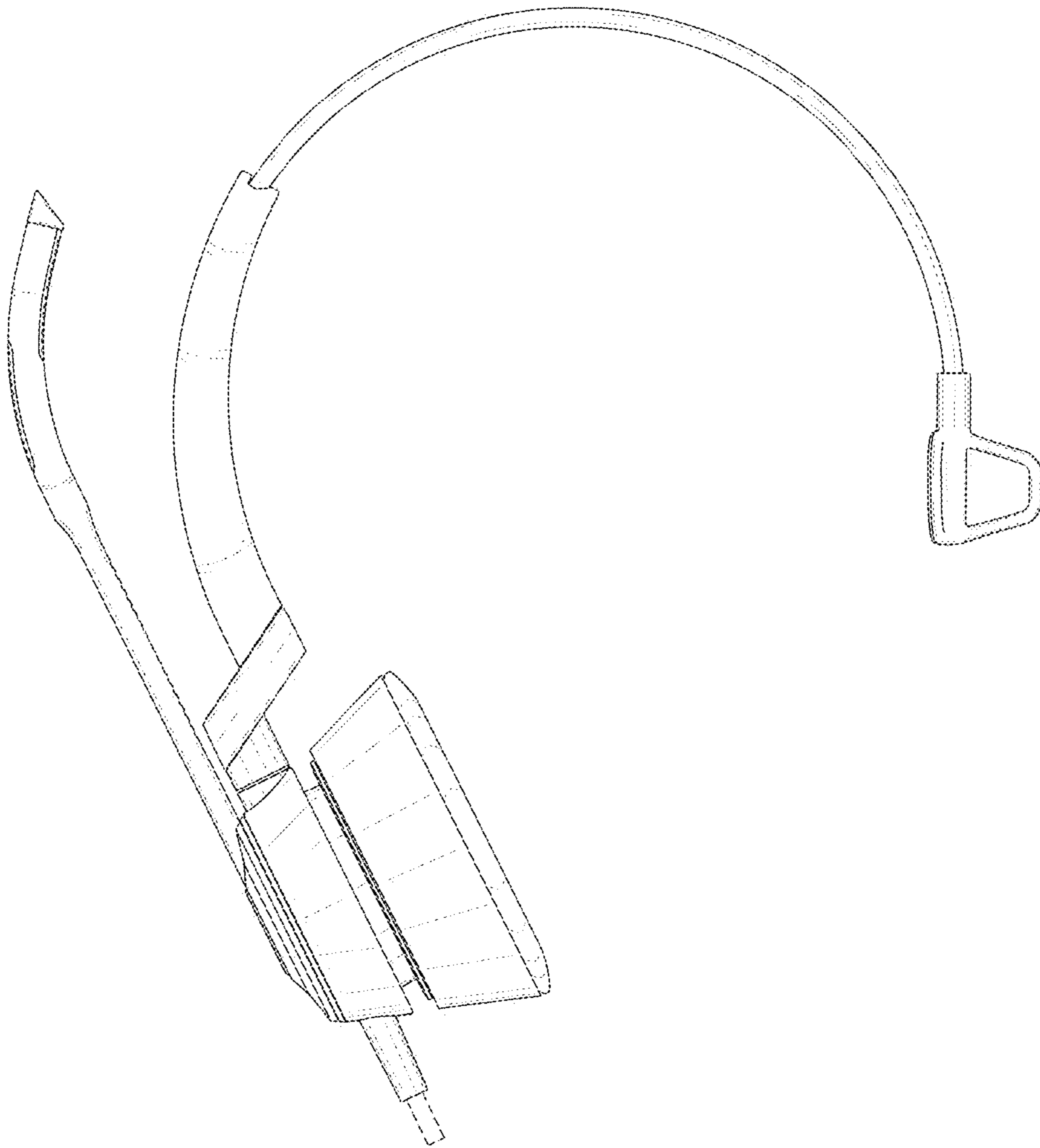


FIG.6

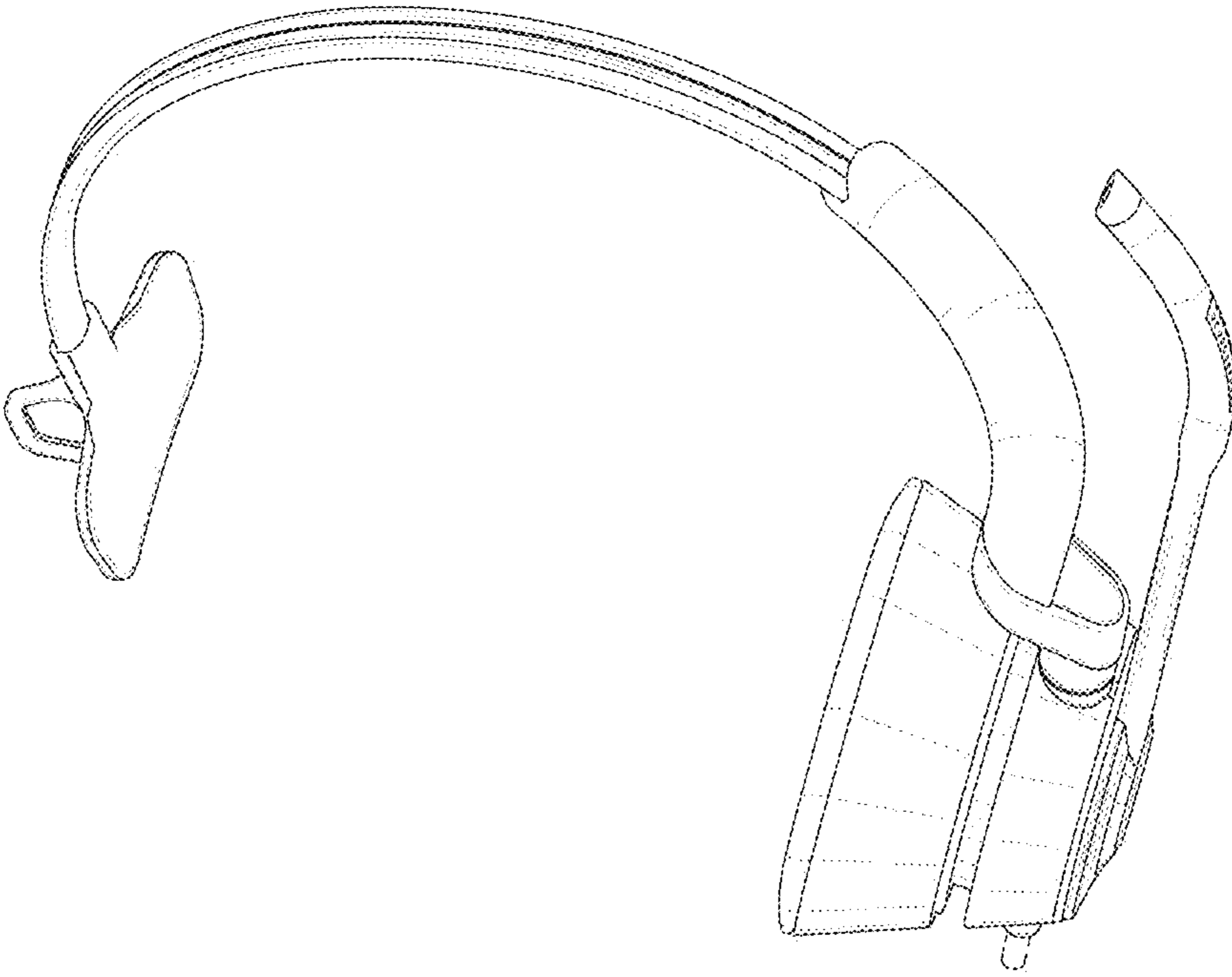


FIG.7