



US00D922346S

(12) **United States Design Patent** (10) **Patent No.:** **US D922,346 S**  
**Hu** (45) **Date of Patent:** **\*\* Jun. 15, 2021**

(54) **DRIVING RECORDER**  
(71) Applicant: **Shenzhen Baker AV Digital Technology Co., Ltd.**, Guangdong (CN)  
(72) Inventor: **Zhihui Hu**, Guangdong (CN)  
(\*\*) Term: **15 Years**

D834,633 S \* 11/2018 Carlson ..... D16/208  
D849,817 S \* 5/2019 Wang ..... D16/218  
D851,615 S \* 6/2019 Lee ..... D14/137  
D861,764 S \* 10/2019 Zhao ..... D16/218  
D864,278 S \* 10/2019 Hu ..... D16/218  
D868,725 S \* 12/2019 Zhou ..... D14/167  
10,527,910 B2 \* 1/2020 Kang ..... H04N 5/2256  
D884,046 S \* 5/2020 Hsu ..... D16/202  
D889,525 S \* 7/2020 Abdul ..... D16/208

(Continued)

(21) Appl. No.: **29/631,759**  
(22) Filed: **Jan. 2, 2018**  
(51) **LOC (13) Cl.** ..... **16-01**  
(52) **U.S. Cl.**  
USPC ..... **D14/157; D14/167**  
(58) **Field of Classification Search**  
USPC ..... D16/200, 202, 206, 208, 219; D14/157,  
D14/167, 203.1, 203.7, 496  
CPC ..... G07C 5/0891; G03B 17/02; G03B 17/04;  
G03B 17/56  
See application file for complete search history.

**OTHER PUBLICATIONS**

“CHENNAO Car Driving Recorders WiFi Car Dash Cam [ . . . ]”  
[online]. CHENNAO. [Product first available on Jul. 6, 2020].  
Retrieved from the Internet: <<https://www.amazon.com/dp/B08CDZNLL8>>.\*

(Continued)

*Primary Examiner* — Khawaja Anwar  
*Assistant Examiner* — Mojtaba Tehrani  
(74) *Attorney, Agent, or Firm* — Prakash Nama; Global IP Services, PLLC

(56) **References Cited**

**U.S. PATENT DOCUMENTS**

D434,057 S \* 11/2000 Whitby ..... D16/202  
D452,250 S \* 12/2001 Chan ..... D14/203.7  
D474,792 S \* 5/2003 Hyun ..... D14/130  
D488,483 S \* 4/2004 Hu ..... D14/363  
D506,740 S \* 6/2005 Ashfield ..... D14/167  
D517,088 S \* 3/2006 Chong ..... D14/203.7  
D536,703 S \* 2/2007 Kim ..... D14/203.7  
D550,710 S \* 9/2007 Ichinose ..... D14/496  
D550,713 S \* 9/2007 Ichinose ..... D14/496  
D556,801 S \* 12/2007 Kim ..... D16/202  
7,636,121 B2 \* 12/2009 Matsumoto ..... H04N 1/00127  
348/333.06  
D616,464 S \* 5/2010 Park ..... D14/496  
D672,382 S \* 12/2012 Zeinoun ..... D16/203  
D720,017 S \* 12/2014 Fujino ..... D21/329  
D823,920 S \* 7/2018 Wiegmann ..... D16/208  
10,097,740 B2 \* 10/2018 Sugimura ..... G03B 17/561

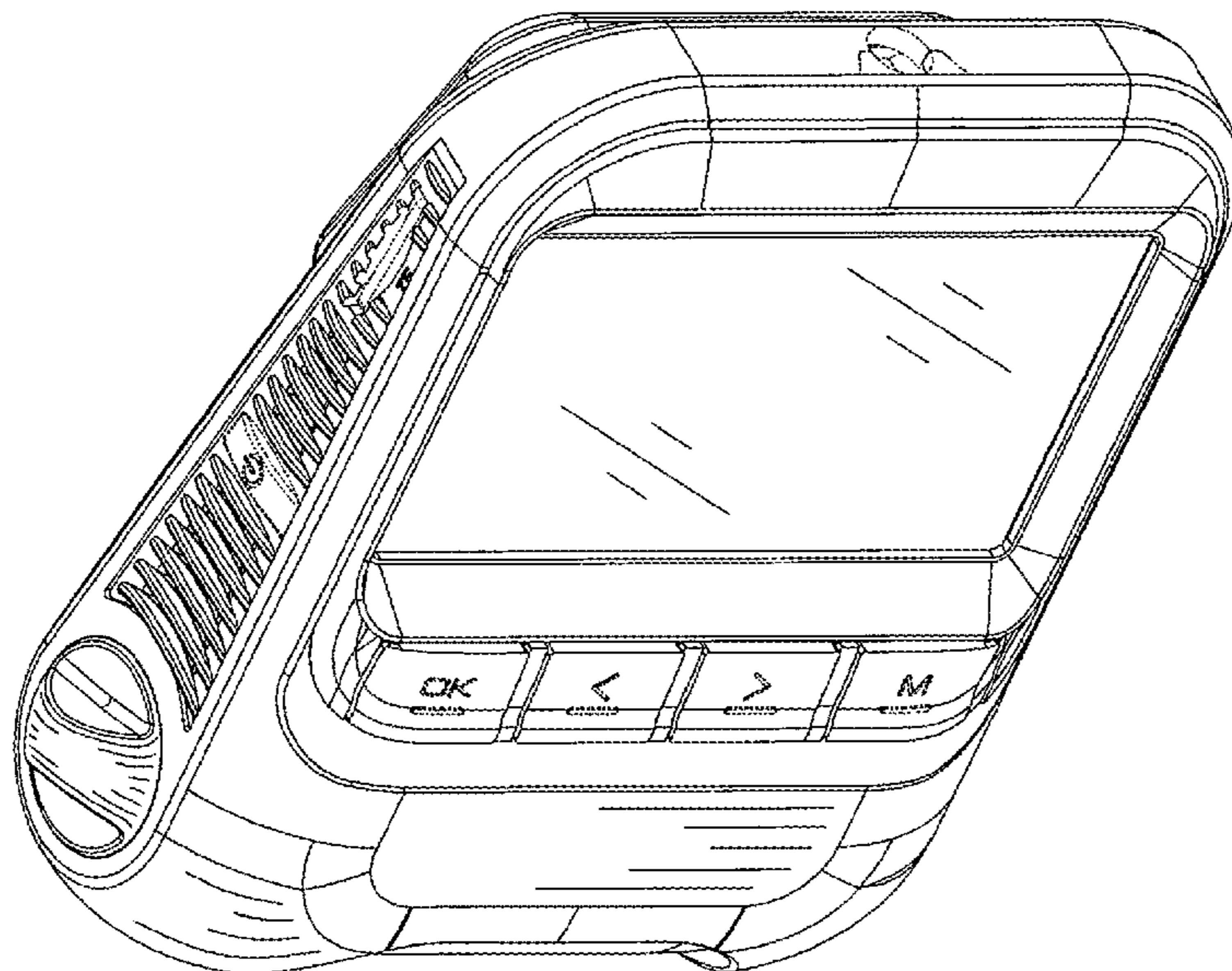
(57) **CLAIM**

The ornamental design for a driving recorder, as shown and described.

**DESCRIPTION**

FIG. 1 is a front elevational view of a driving recorder showing my new design;  
FIG. 2 is a rear elevational view thereof;  
FIG. 3 is a left side view thereof;  
FIG. 4 is a right side view thereof;  
FIG. 5 is a top plan view thereof;  
FIG. 6 is a bottom plan view thereof; and,  
FIG. 7 is a perspective view thereof.  
The broken lines shown in Figs. form no part of the claimed design.

**1 Claim, 7 Drawing Sheets**



(56)

**References Cited**

U.S. PATENT DOCUMENTS

D890,241 S \* 7/2020 Abdul ..... D16/208

OTHER PUBLICATIONS

“VIOFO Dual Dash Cam A129 Duo Full HD 1080P Front and Rear Camera [ . . . ]” [online]. VIOFO. [Product first available on Oct. 25, 2018]. Retrieved from the Internet: <<https://www.amazon.com/dp/B07DL8MS1T>>.\*

\* cited by examiner

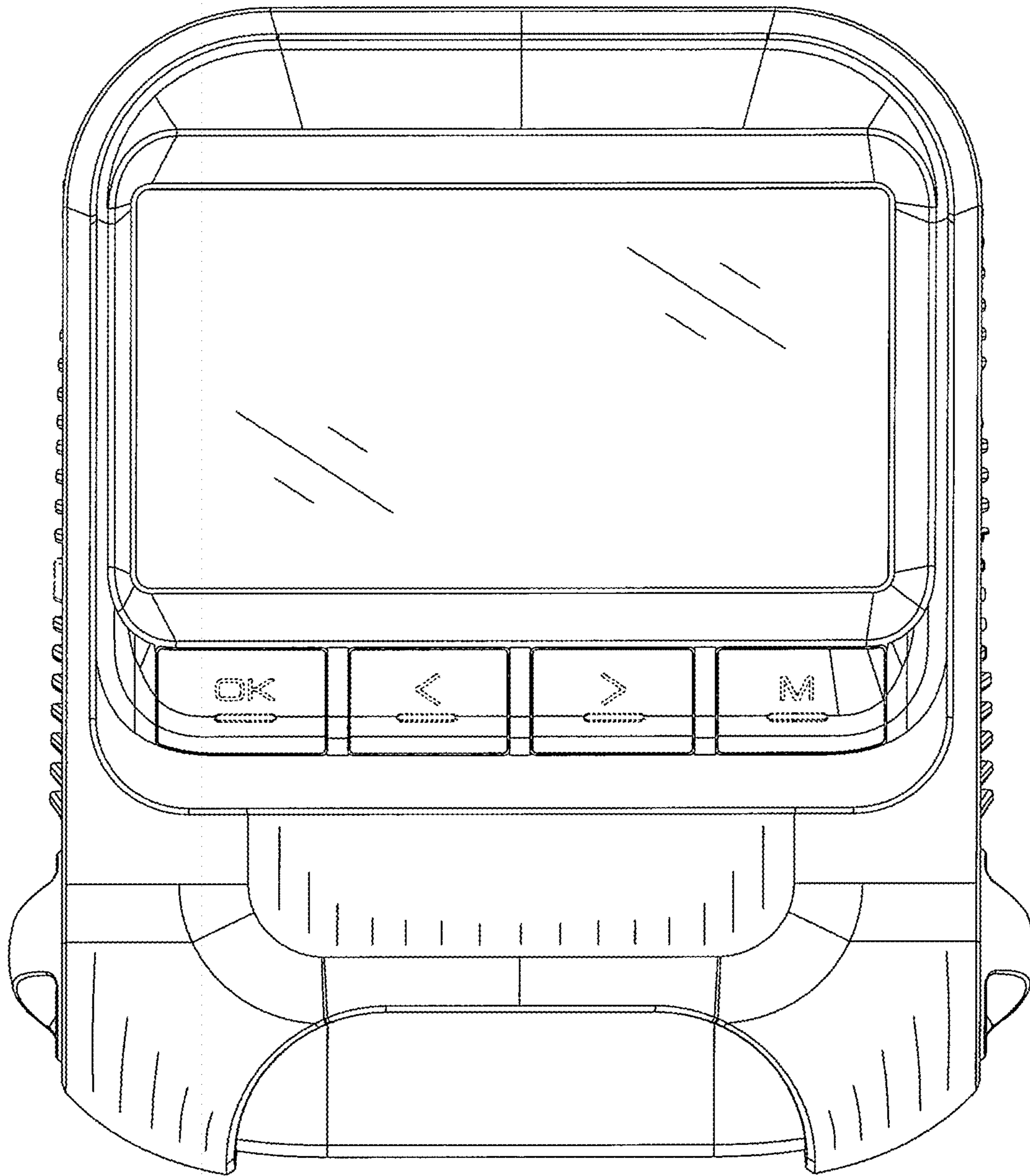


FIG. 1

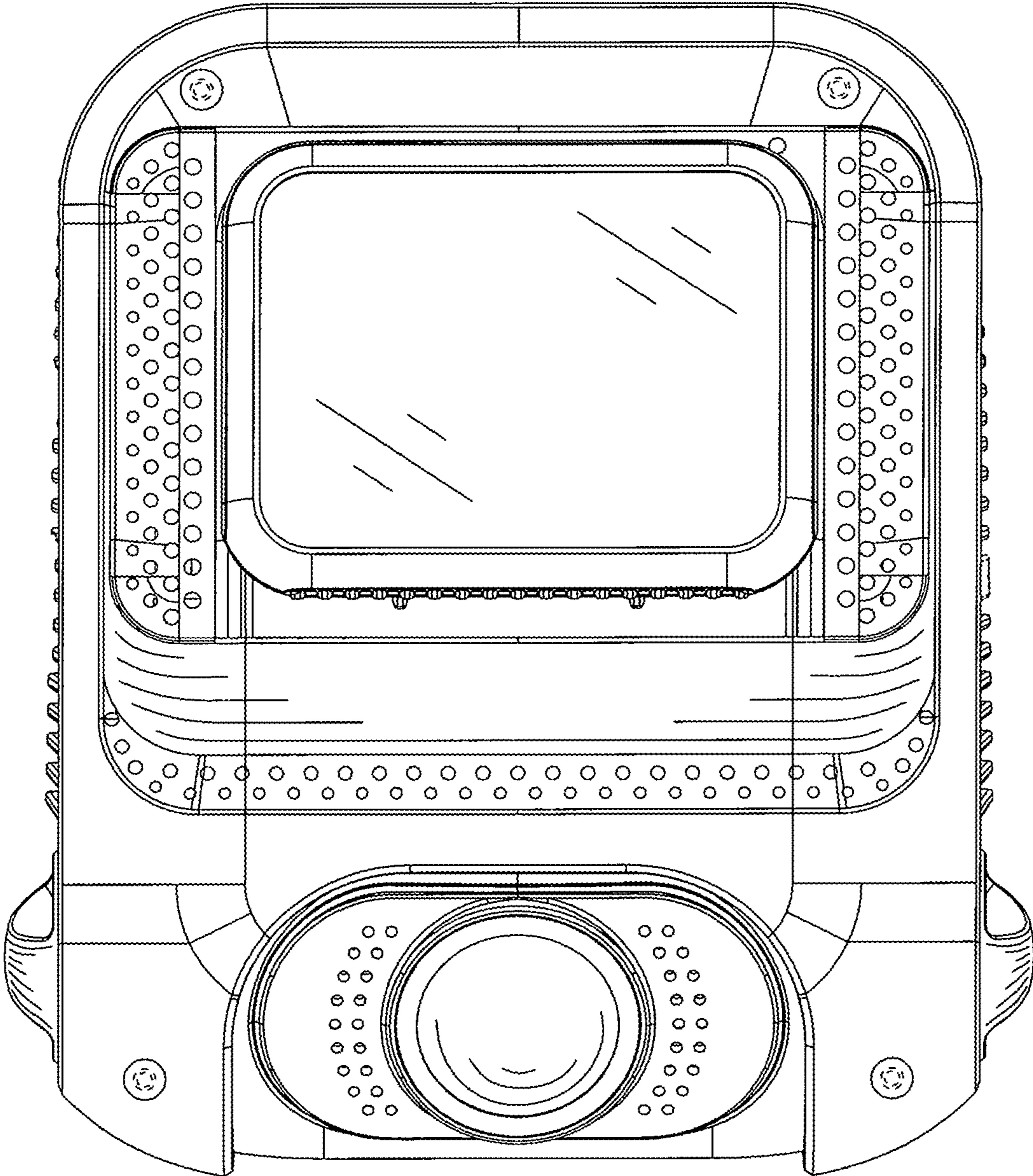


FIG. 2

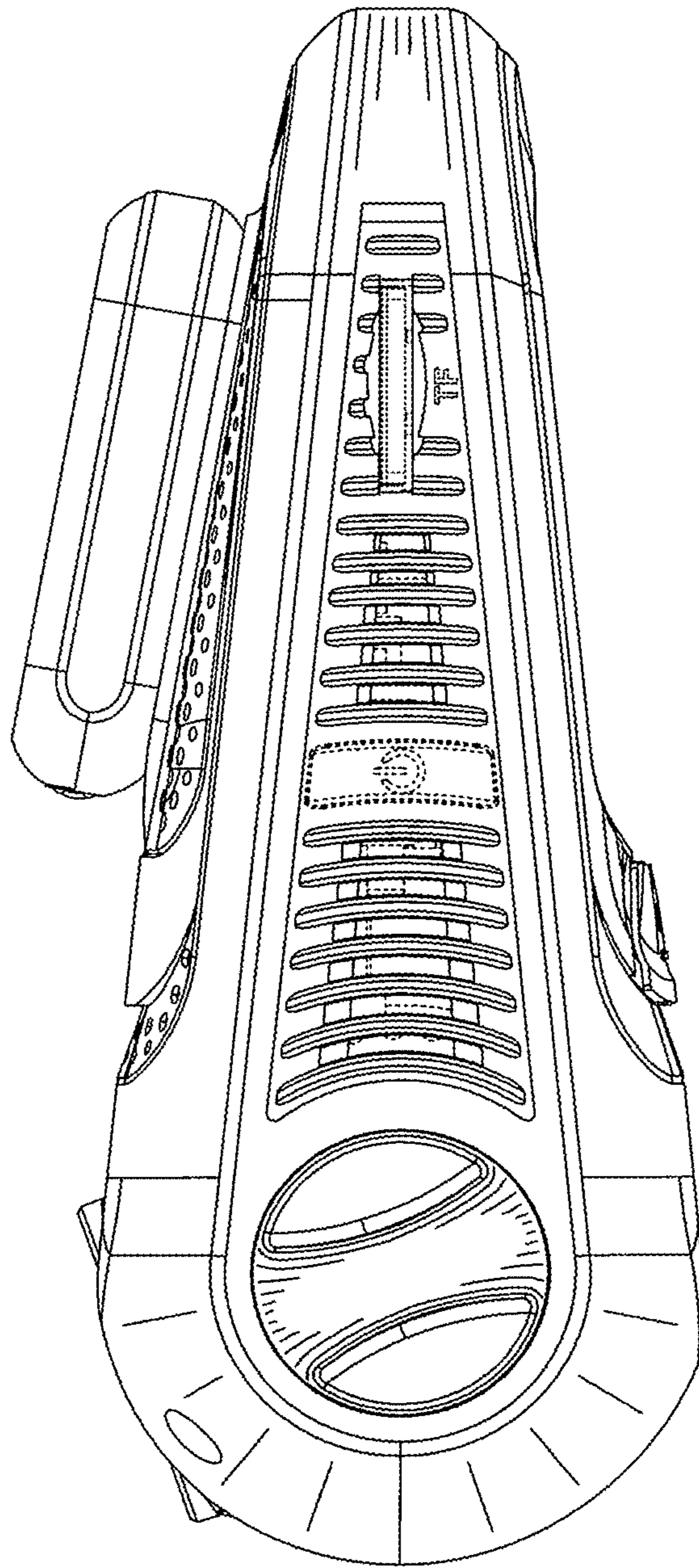


FIG. 3

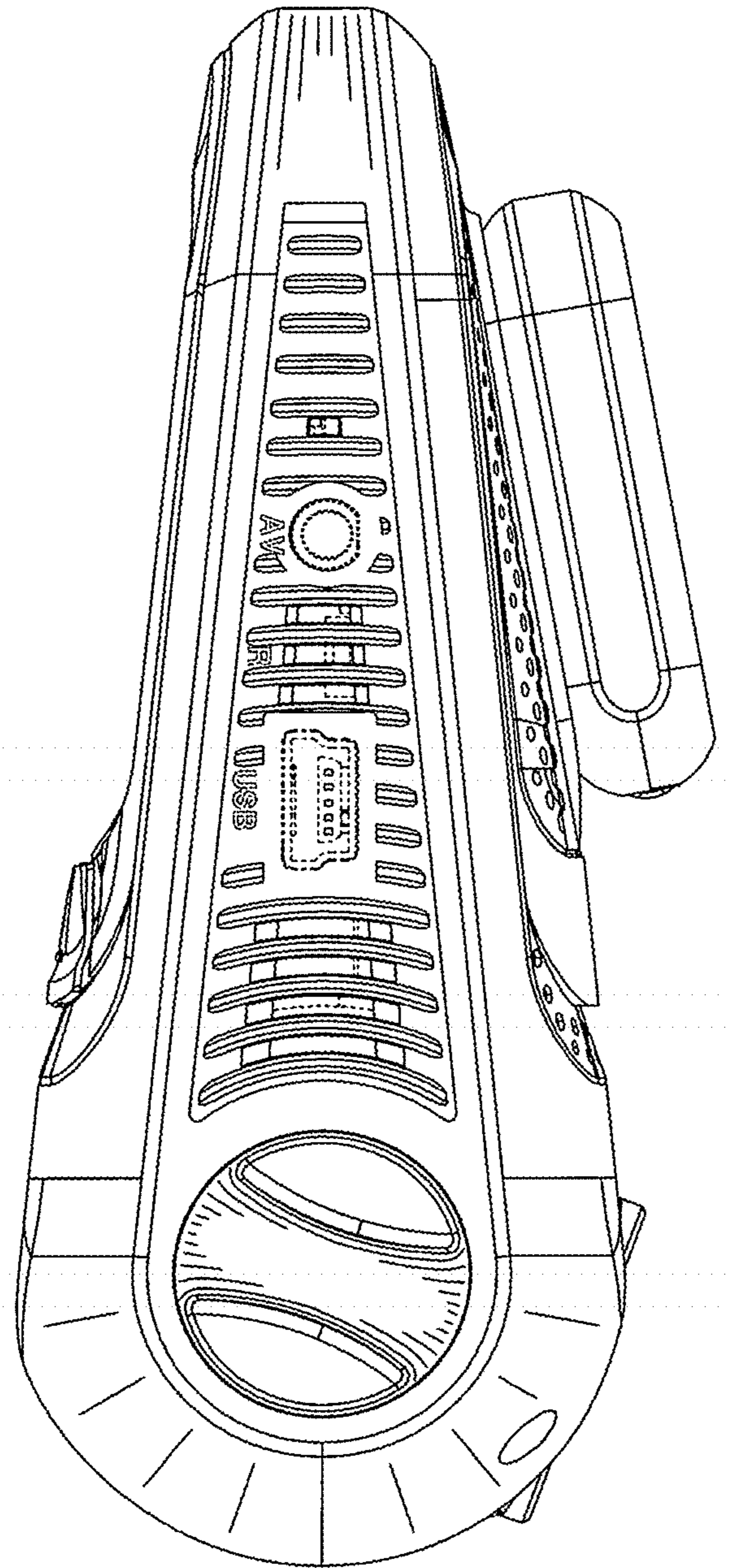


FIG. 4

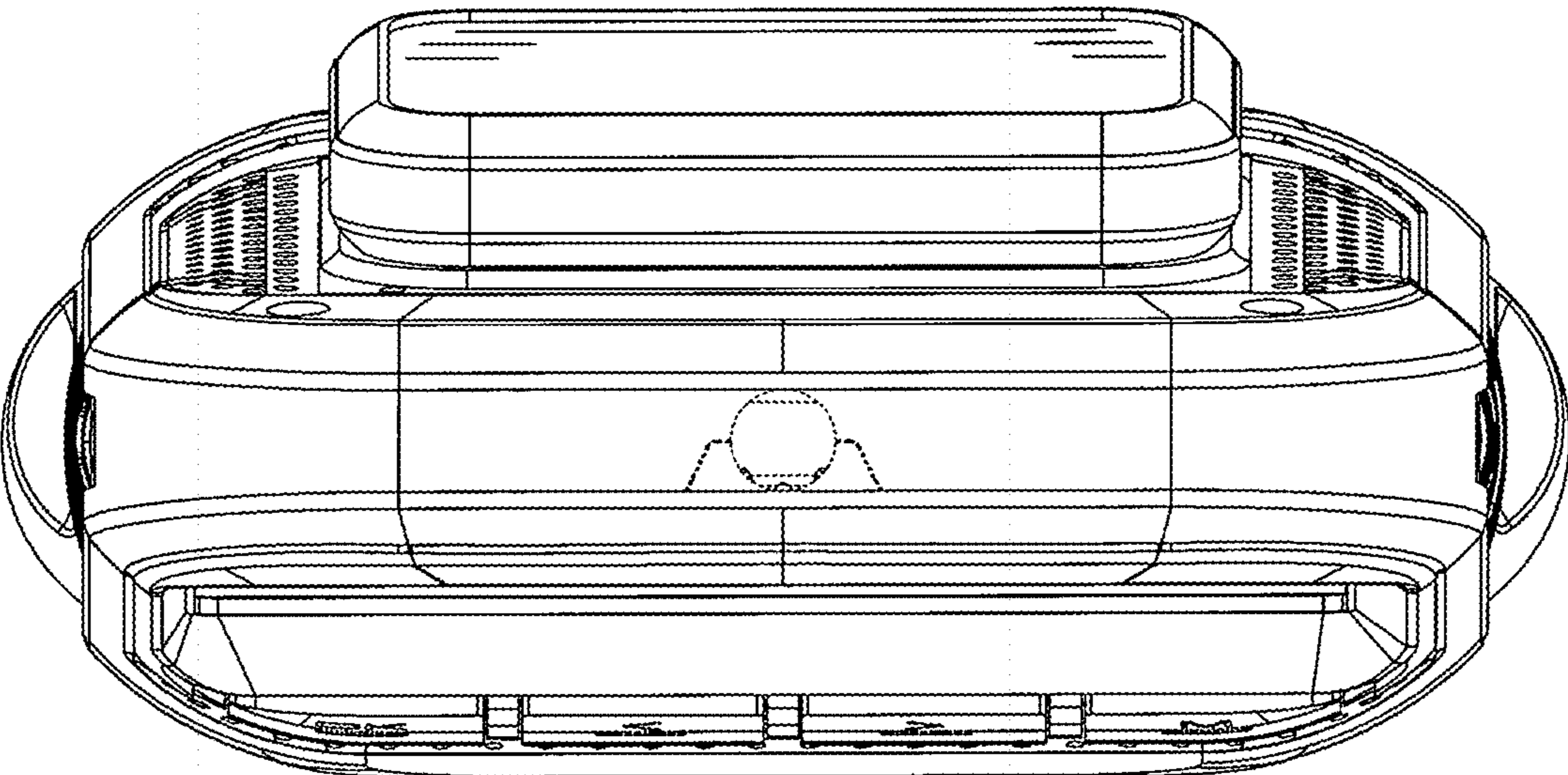


FIG. 5

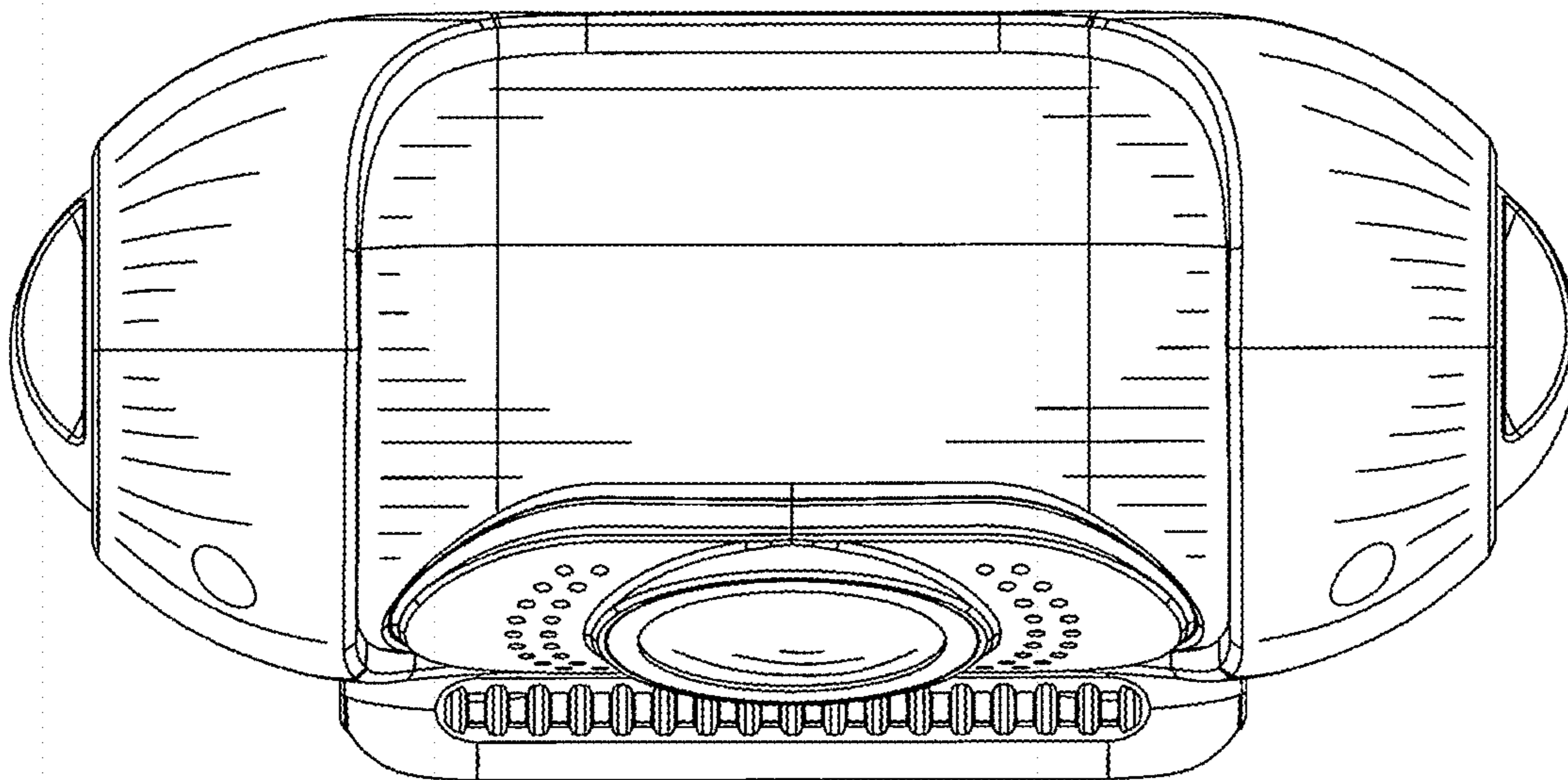


FIG. 6



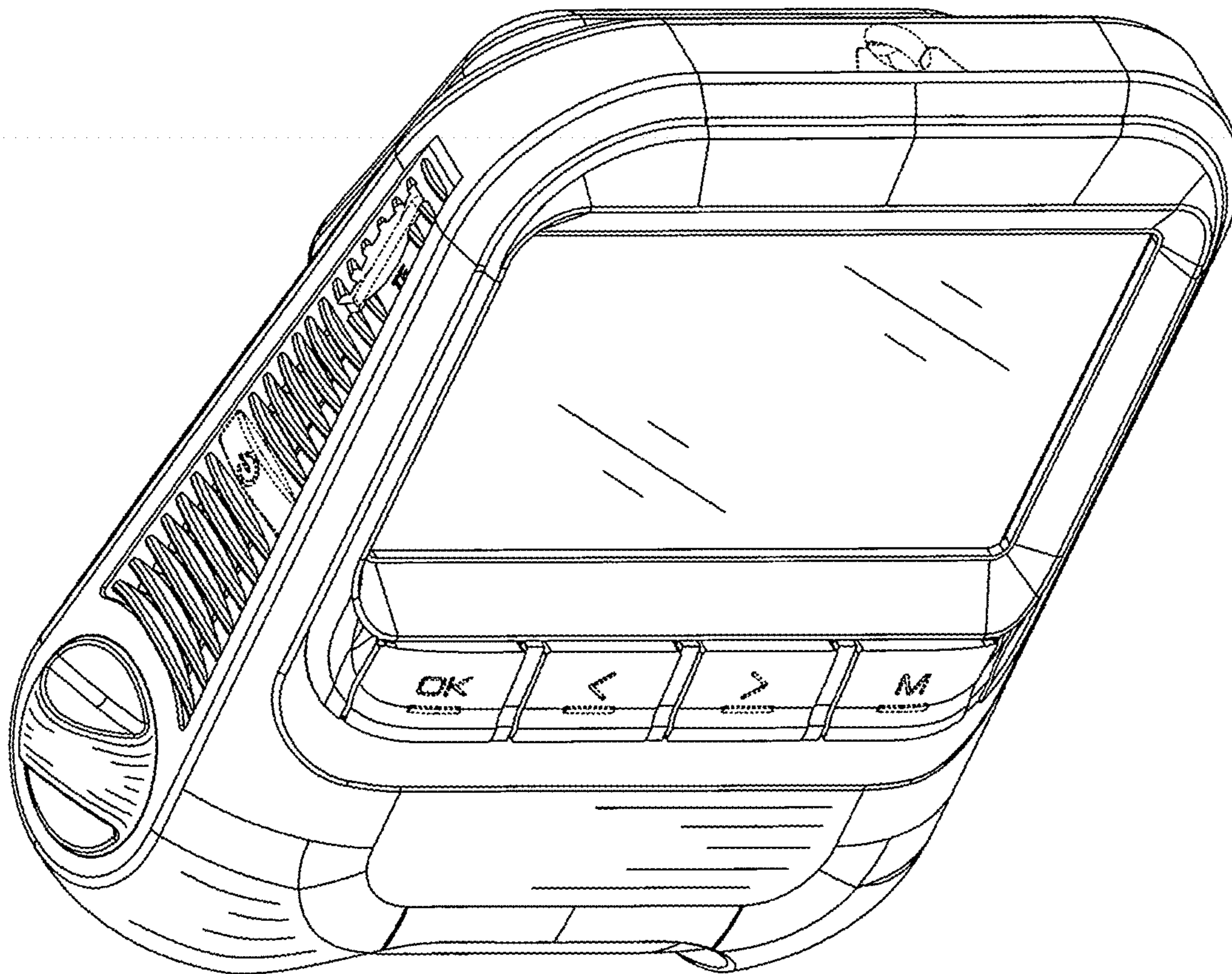


FIG. 7