



US00D922344S

(12) **United States Design Patent** (10) **Patent No.:** **US D922,344 S**
Lee et al. (45) **Date of Patent:** **** Jun. 15, 2021**

(54) **MOBILE PHONE**

(71) Applicant: **LG ELECTRONICS INC.**, Seoul (KR)
(72) Inventors: **Jonghak Lee**, Seoul (KR); **Hyunchul Kim**, Seoul (KR); **Jinwan Bae**, Seoul (KR); **Joungyoung Joung**, Seoul (KR); **Sharim Choe**, Seoul (KR)
(73) Assignee: **LG ELECTRONICS INC.**, Seoul (KR)
(**) Term: **15 Years**
(21) Appl. No.: **29/681,010**
(22) Filed: **Feb. 21, 2019**

(30) **Foreign Application Priority Data**
Aug. 21, 2018 (KR) 30-2018-0038822
(51) **LOC (13) Cl.** **14-03**
(52) **U.S. Cl.**
USPC **D14/138 R; D14/138 AB**
(58) **Field of Classification Search**
USPC D14/129-130, 137, 138 AA, 138 AB, D14/138 AC, 138 AD, 138 C, 138 G,
(Continued)

(56) **References Cited**
U.S. PATENT DOCUMENTS
4,374,906 A * 2/1983 Breault H01M 8/0271 429/498
D597,090 S * 7/2009 Bemelmans D14/341
(Continued)

FOREIGN PATENT DOCUMENTS
CN 304767841 * 8/2018
CN 305188677 * 5/2019

OTHER PUBLICATIONS

LG Project B, rollable smartphone, Jul. 2, 2020 [online], [retrieved Dec. 2, 2020], Retrieved from Internet, URL: <https://techsaper.com/lg-project-b-rollable-smartphone-to-be-launched-in-2021/> (Year: 2020).*

(Continued)

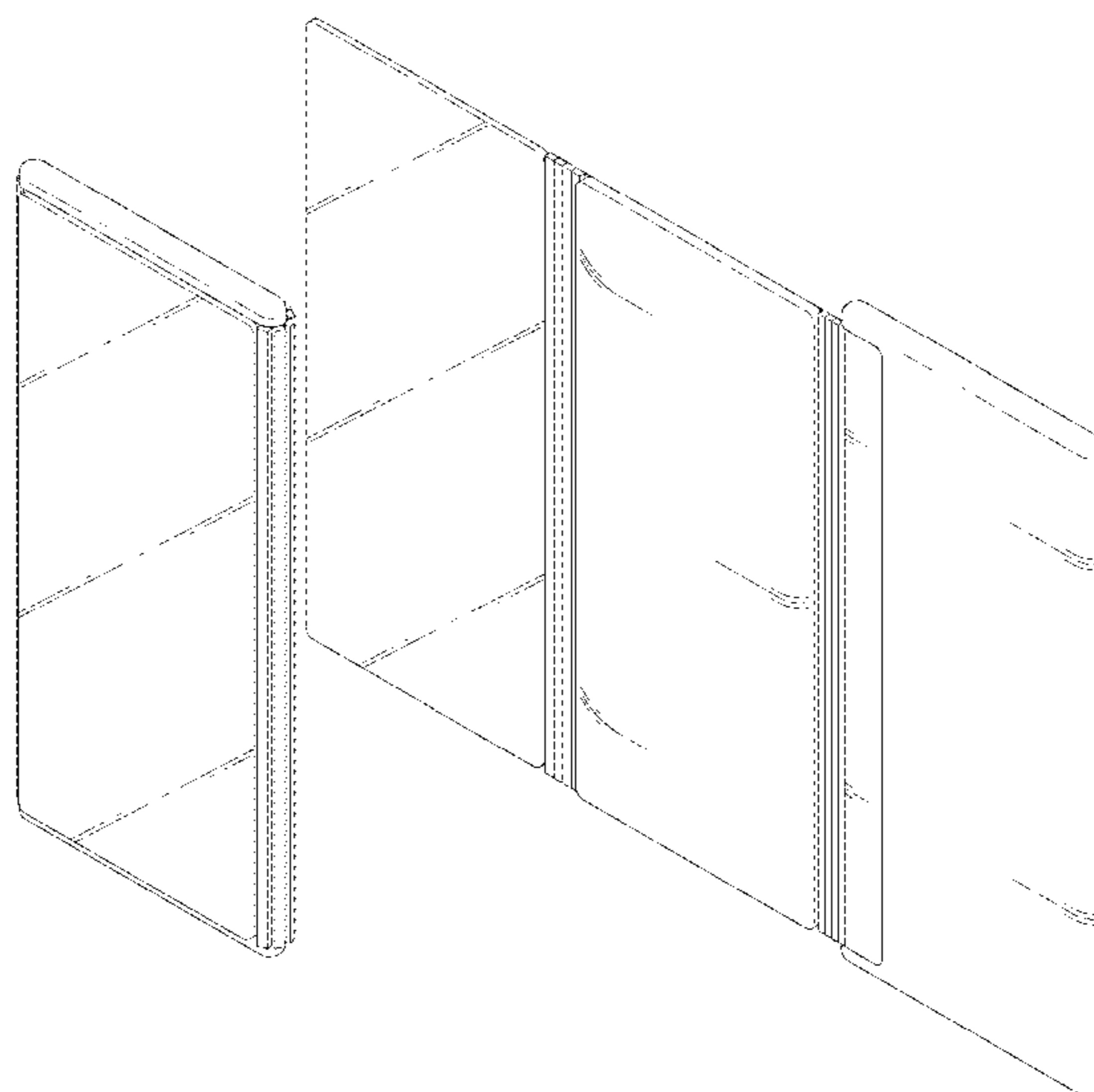
Primary Examiner — Barbara Fox
Assistant Examiner — Aram Kwon
(74) *Attorney, Agent, or Firm* — Birch, Stewart, Kolasch & Birch, LLP

(57) **CLAIM**
The ornamental design for a mobile phone, as shown and described.

DESCRIPTION

FIG. 1 is a front perspective view of the mobile phone showing our new design in a folded state;
FIG. 2 is a front view thereof;
FIG. 3 is a rear view thereof;
FIG. 4 is a left side view thereof;
FIG. 5 is a right side view thereof;
FIG. 6 is a top plan view thereof;
FIG. 7 is a bottom plan view thereof;
FIG. 8 is a rear perspective view thereof;
FIG. 9 is a top view thereof, shown in a partially opened state;
FIG. 10 is another top view thereof, shown in a further partially opened state;
FIG. 11 is a front perspective view of the mobile phone showing our new design in a fully opened state;
FIG. 12 is a front view of FIG. 11;
FIG. 13 is a rear view of FIG. 11;
FIG. 14 is a left side view of FIG. 11;
FIG. 15 is a right side view of FIG. 11;
FIG. 16 is a top plan view of FIG. 11;
FIG. 17 is a bottom plan view of FIG. 11; and,
FIG. 18 is a rear perspective view of FIG. 11.

1 Claim, 18 Drawing Sheets



(58) **Field of Classification Search**

USPC D14/138 R, 147, 203.3–203.8, 218, 240,
 D14/247, 248, 315–318, 341–347, 371,
 D14/374, 388–389, 420, 426, 496;
 D6/308, 310; D10/50, 65, 104.1;
 D18/6–7; D19/26, 59–60; D21/324,
 D21/329–330, 332
 CPC G06F 1/1613; G06F 1/1626; G06F 3/0488;
 G06F 3/04886; H04M 1/725; H04M
 1/0202; H04M 1/0266

See application file for complete search history.

(56)

References Cited

U.S. PATENT DOCUMENTS

8,773,411 B2 * 7/2014 van Lieshout G06F 1/1652
 345/204
 8,873,225 B2 * 10/2014 Huitema G06F 1/1656
 361/679.01
 D733,960 S * 7/2015 Howe D26/122
 D770,447 S * 11/2016 Endo D14/371
 D798,256 S * 9/2017 Choo D14/138 AA
 D812,605 S * 3/2018 Senda D14/341
 D812,606 S * 3/2018 Senda D14/341

D822,633 S * 7/2018 Yeom D14/138 AB
 D901,422 S * 11/2020 Lee D14/138 AB
 2008/0204367 A1 * 8/2008 Lafarre G09F 9/301
 345/55
 2015/0207102 A1 * 7/2015 Jeong H04M 1/0268
 257/40
 2016/0246558 A1 * 8/2016 Prushinskiy G06F 1/3218
 2017/0003756 A1 * 1/2017 Gao G06F 3/0304
 2017/0061836 A1 * 3/2017 Kim G06F 1/1652

OTHER PUBLICATIONS

LG's rollable display smartphone, Jul. 2, 2020 [online], [retrieved Dec. 2, 2020], Retrieved from Internet, URL: <<https://www.gizmochina.com/2020/07/02/lg-rollable-display-smartphone-project-b-launch-next-year/>> (Year: 2020).*

LG's rollable smartphone pictured in 3D renders, Aug. 28, 2019 [online], [retrieved Dec. 2, 2020], Retrieved from Internet, URL: <https://www.gsmarena.com/lgs_rollable_smartphone_pictured_in_3d_renders-news-38906.php> (Year: 2019).*

Rollable Phones: LG's new rollable phone, Sep. 10, 2019 [online], [retrieved Dec. 2, 2020], Retrieved from Internet, URL: <<https://www.phonefoldable.com/rollable-phones-lgs-new-rollable-phone-will-be-perfect-for-mobile-gaming-and-streaming/>> (Year: 2019).*

* cited by examiner

FIG. 1

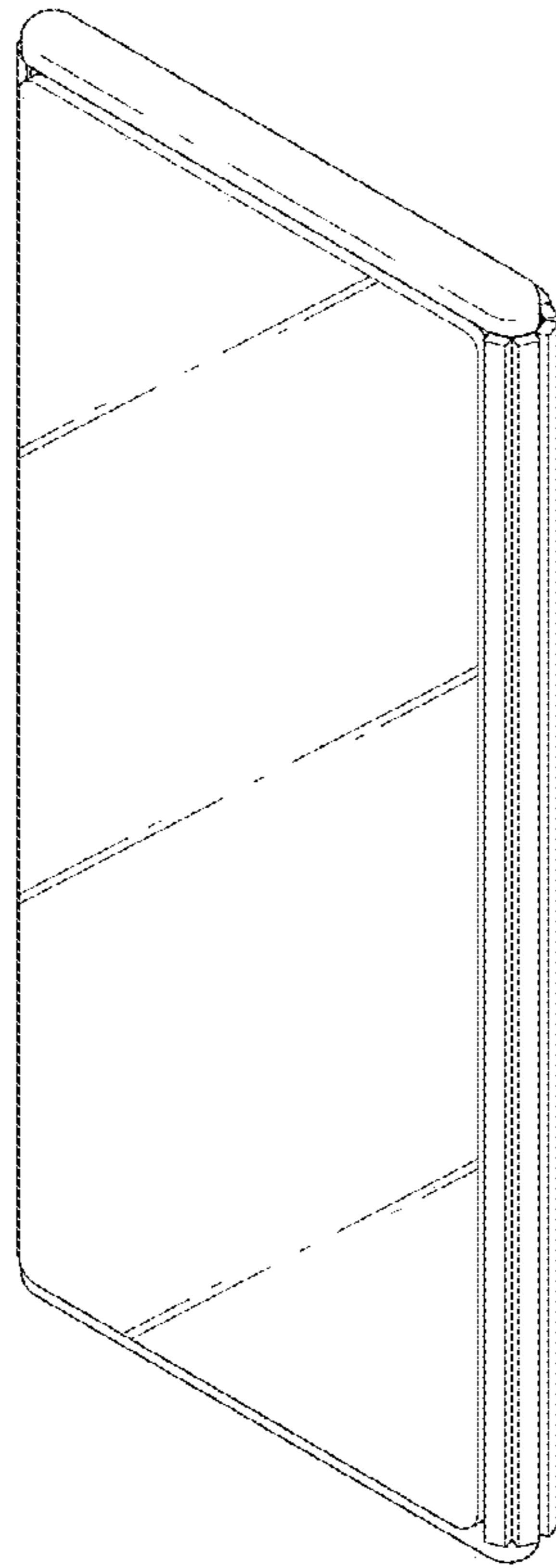


FIG. 2

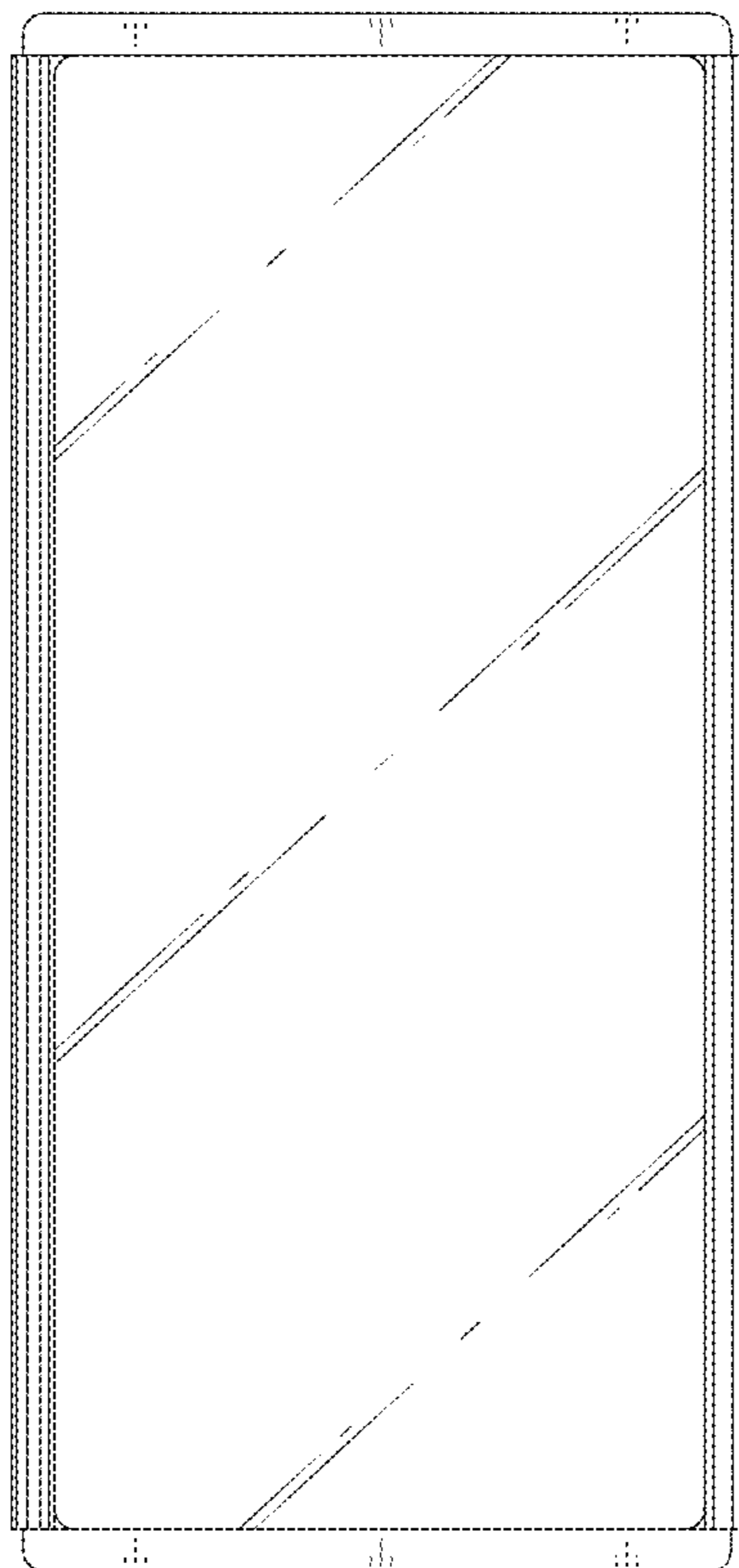


FIG. 3

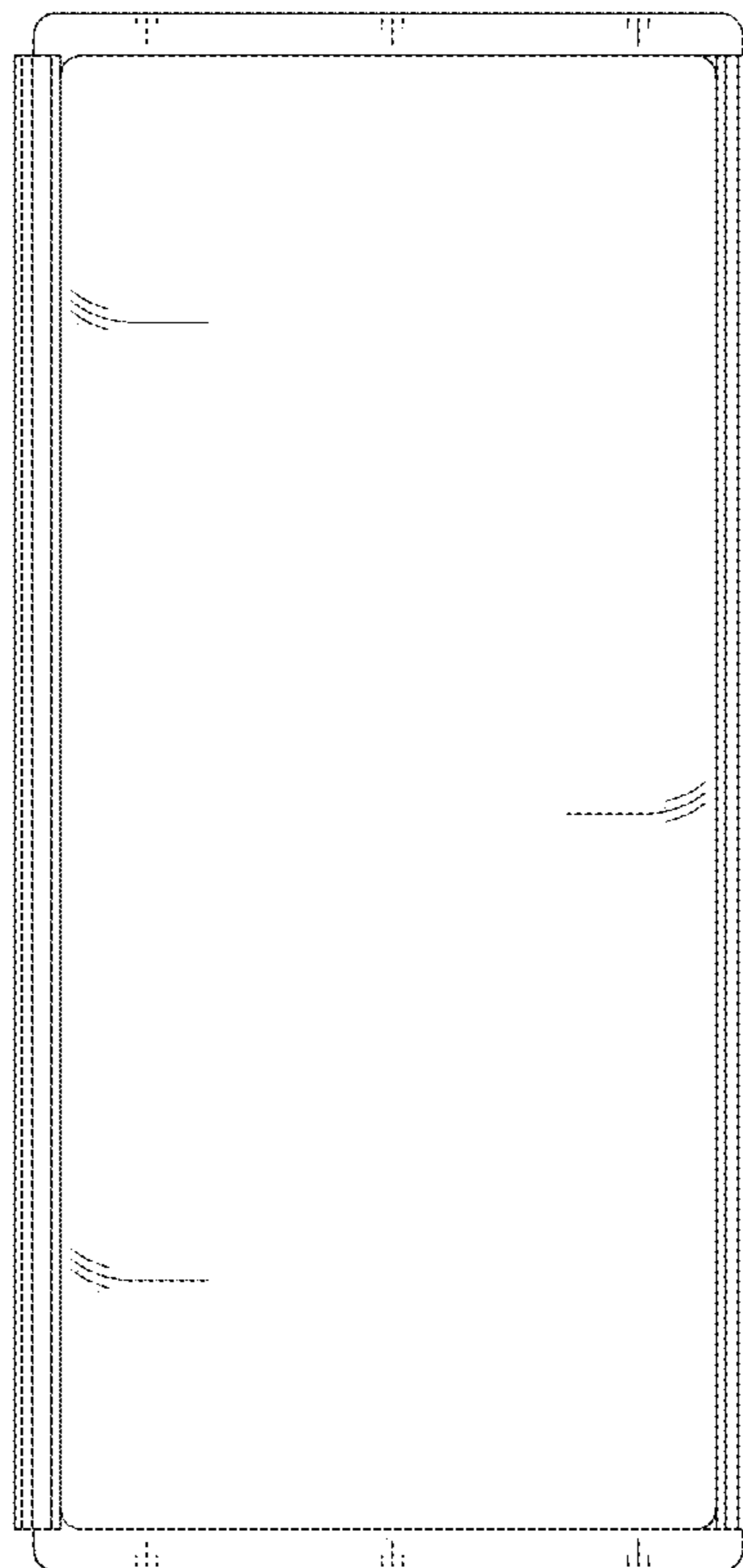


FIG. 4

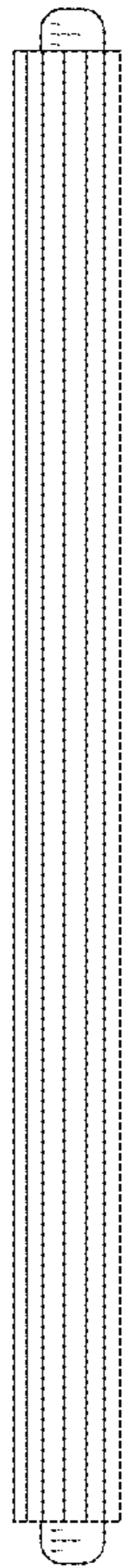


FIG. 5



FIG. 6

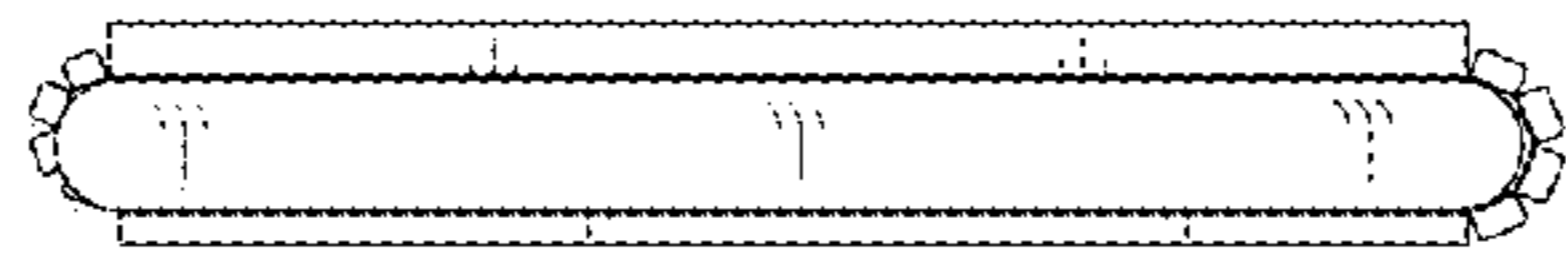


FIG. 7

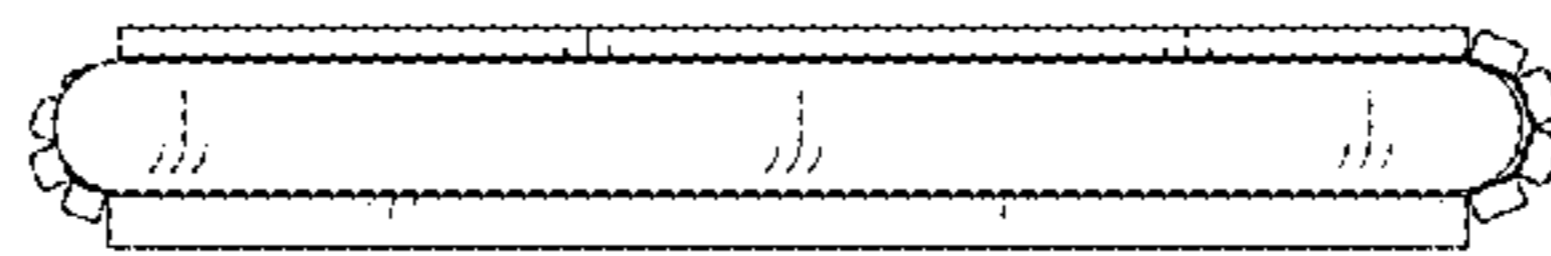


FIG. 8

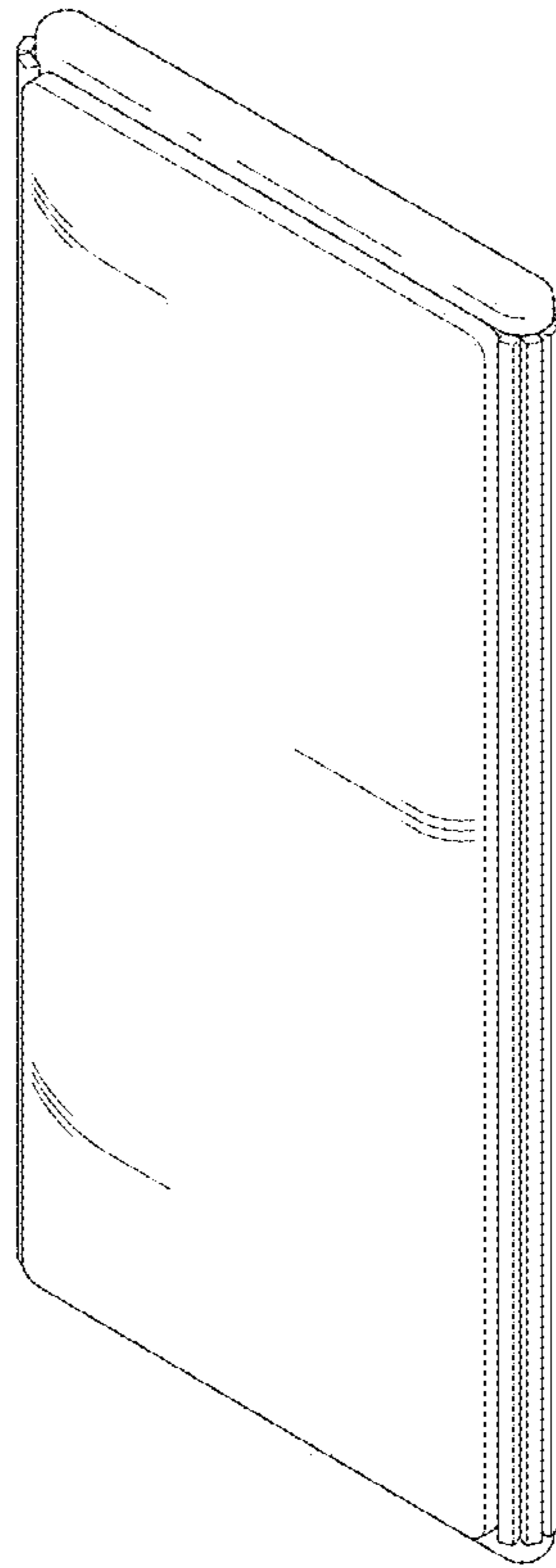


FIG. 9

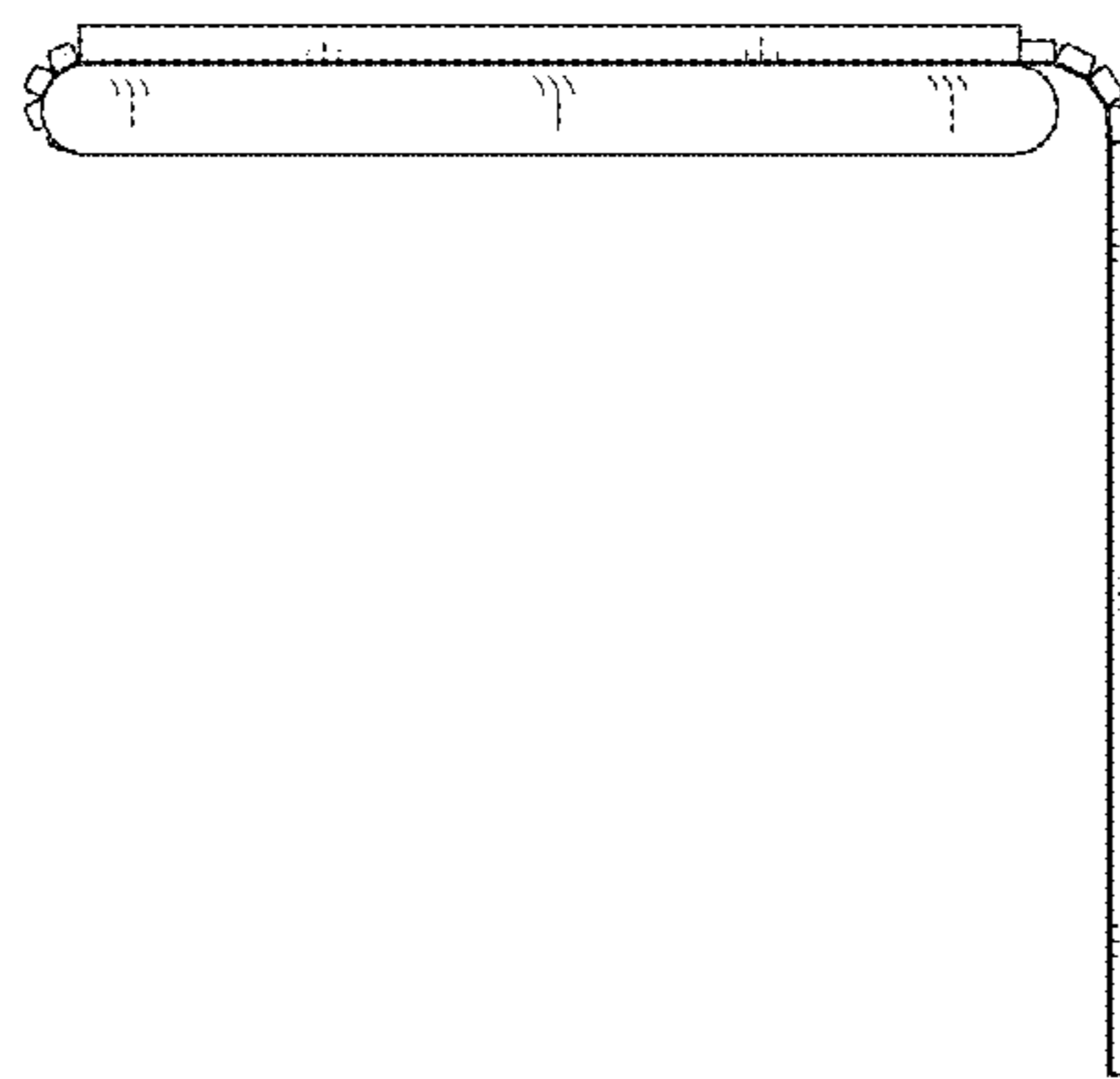


FIG. 10

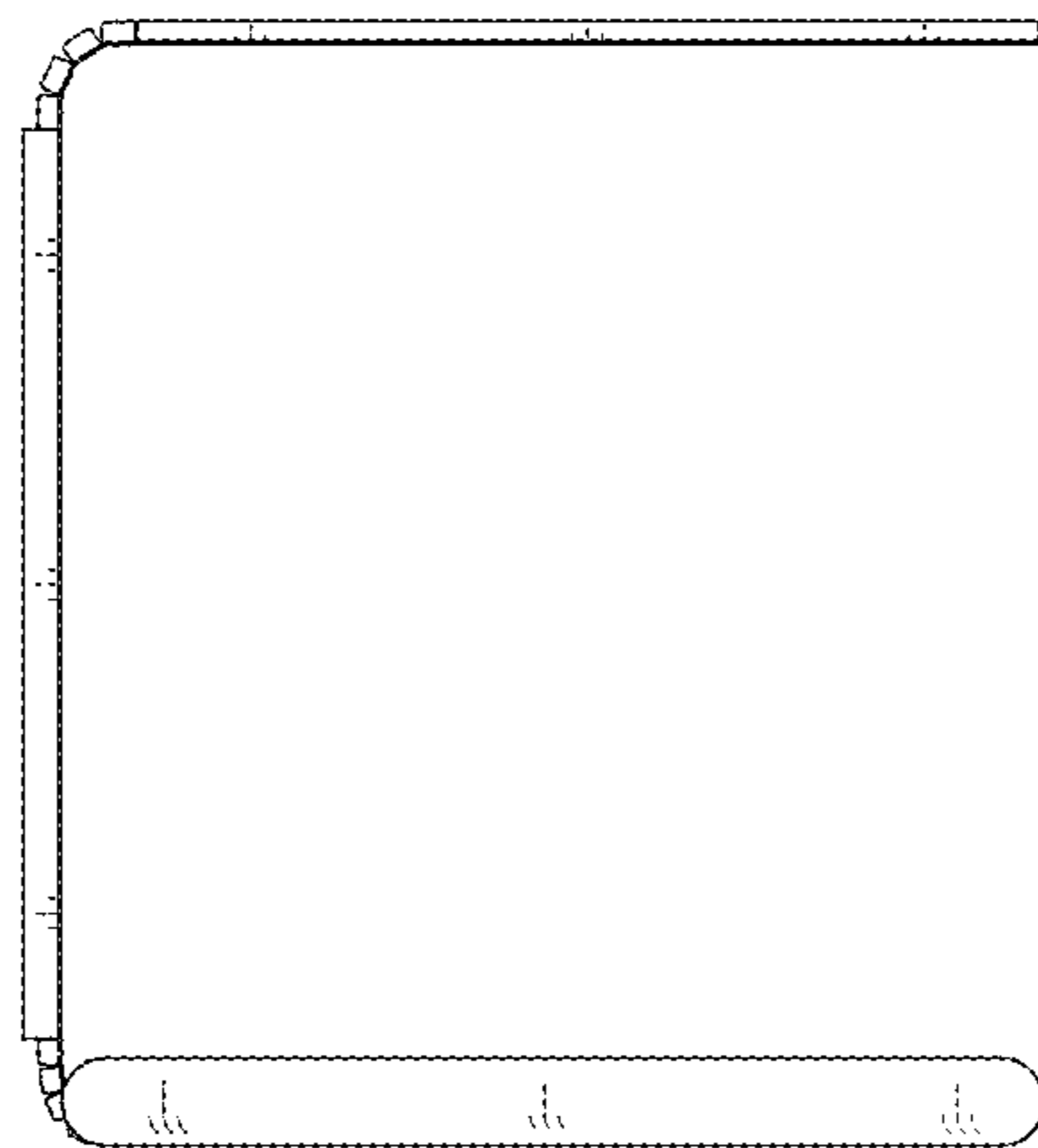


FIG. 11

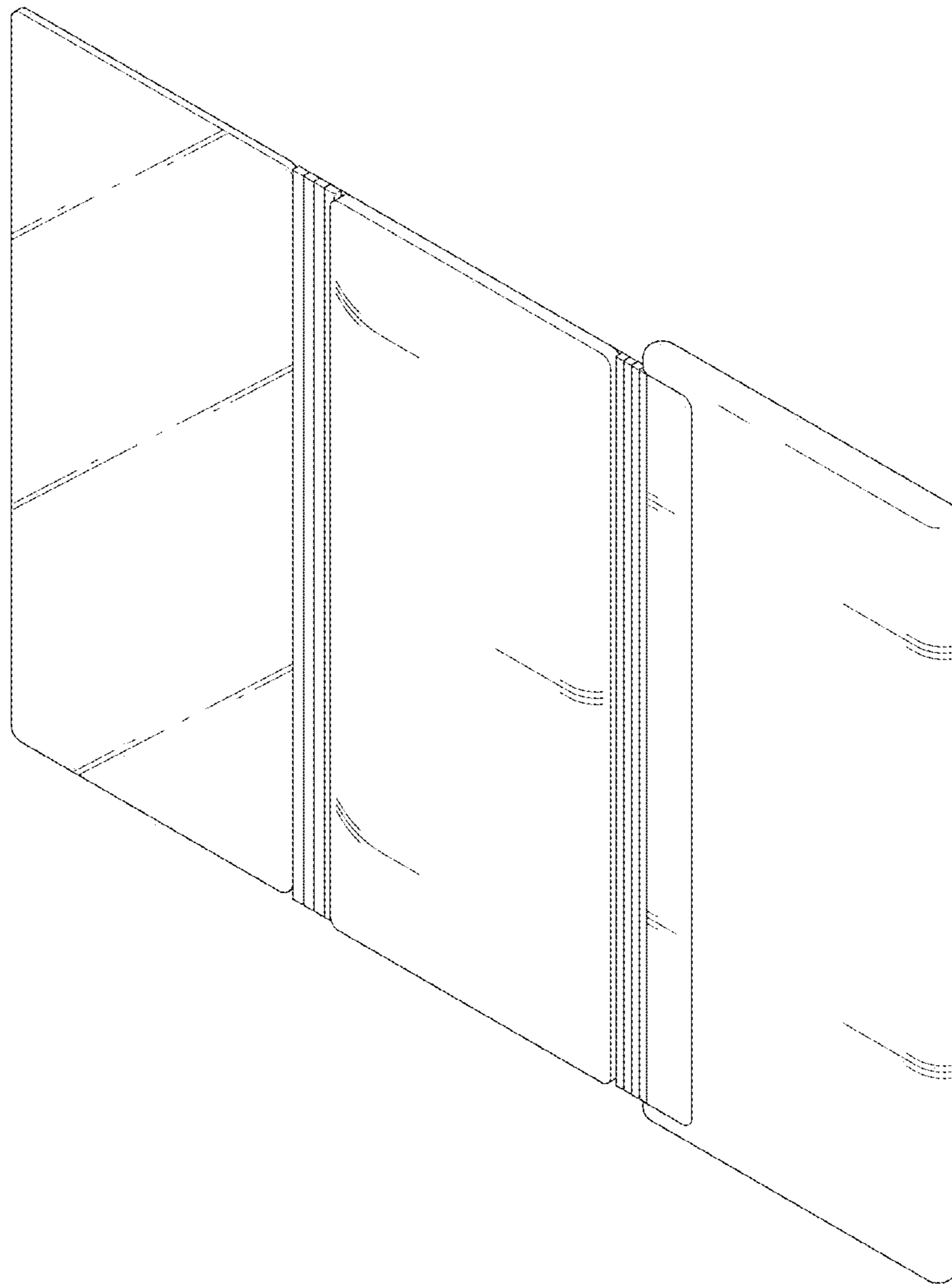


FIG. 12

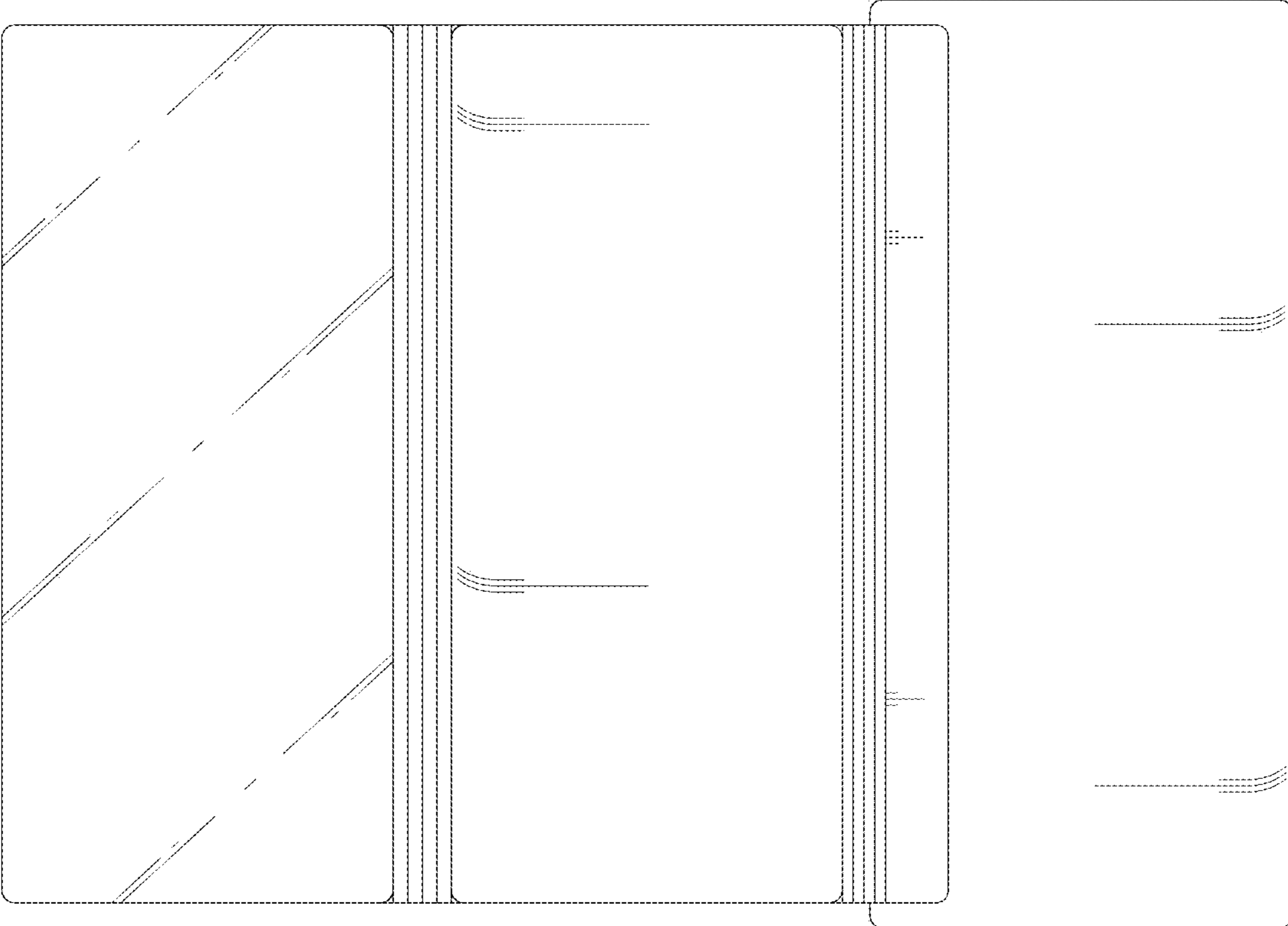


FIG. 13

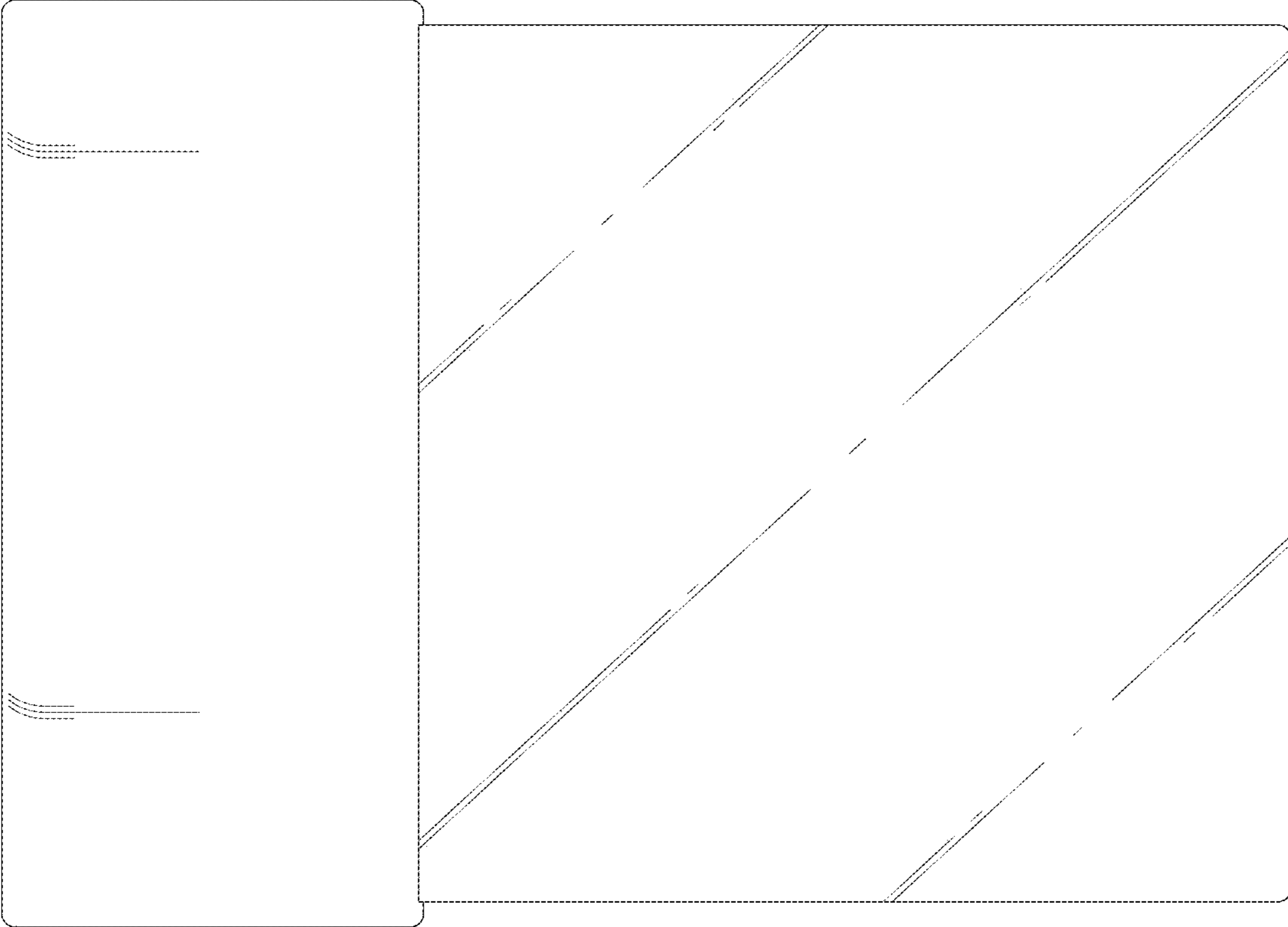


FIG. 14

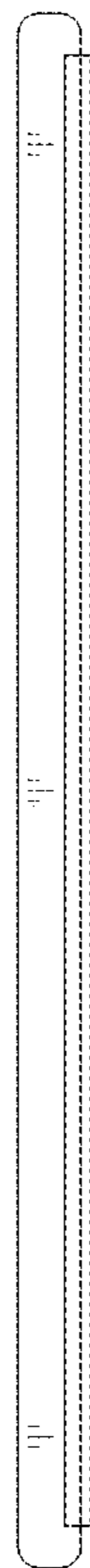


FIG. 15

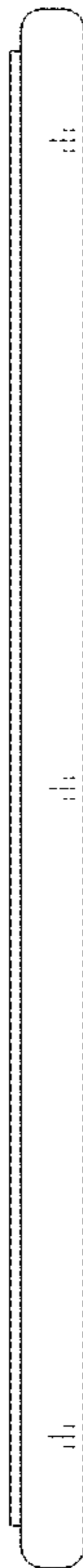


FIG. 16



FIG. 17

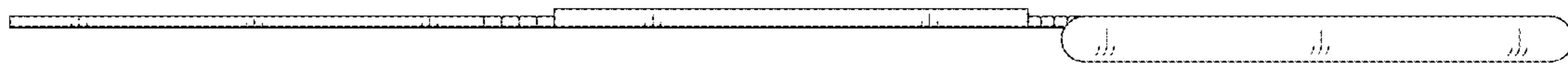


FIG. 18

