



US00D922343S

(12) **United States Design Patent** (10) **Patent No.:** **US D922,343 S**
Bae et al. (45) **Date of Patent:** **** Jun. 15, 2021**

(54) **MOBILE PHONE**

- (71) Applicant: **LG ELECTRONICS INC.**, Seoul (KR)
(72) Inventors: **Jinwan Bae**, Seoul (KR); **Jonghak Lee**, Seoul (KR); **Joungyoung Joung**, Seoul (KR)
(73) Assignee: **LG ELECTRONICS INC.**, Seoul (KR)
(**) Term: **15 Years**
(21) Appl. No.: **29/680,983**
(22) Filed: **Feb. 21, 2019**

(30) **Foreign Application Priority Data**

Aug. 21, 2018 (KR) 30-2018-0038827

(51) **LOC (13) Cl.** **14-03**

(52) **U.S. Cl.**
USPC **D14/138 AB**

(58) **Field of Classification Search**
USPC D14/129-130, 137, 138 AA, 138 AB, D14/138 AC, 138 AD, 138 C, 138 G,
(Continued)

(56) **References Cited**

U.S. PATENT DOCUMENTS

- 4,374,906 A * 2/1983 Breault H01M 8/0271
429/498
8,896,202 B2 * 11/2014 Oh H01L 51/5237
313/511

(Continued)

FOREIGN PATENT DOCUMENTS

- CN 305297325 * 8/2019
WO WOD094400-001 * 1/2019

OTHER PUBLICATIONS

LG's rollable smartphone pictured in 3D renders, Aug. 28, 2019 [online], [retrieved Nov. 18, 2020], Retrieved from Internet, URL: <https://www.gsmarena.com/lgs_rollable_smartphone_pictured_in_3d_renders-news-38906.php> (Year: 2019).*

(Continued)

Primary Examiner — Barbara Fox

Assistant Examiner — Aram Kwon

(74) *Attorney, Agent, or Firm* — Birch, Stewart, Kolasch & Birch, LLP

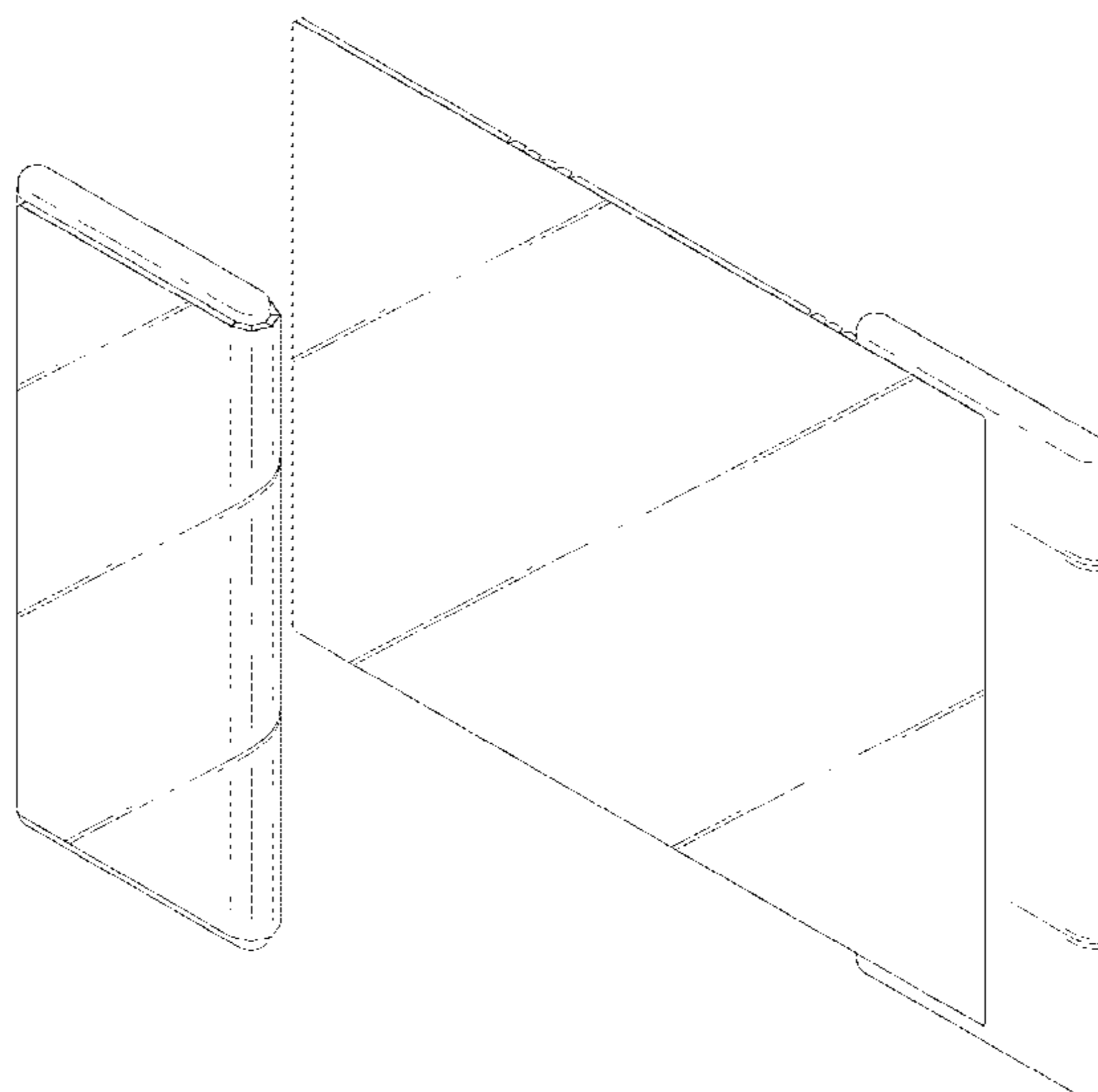
(57) **CLAIM**

The ornamental design for a mobile phone, as shown and described.

DESCRIPTION

FIG. 1 is a front perspective view of a mobile phone showing our new design in a folded state;
FIG. 2 is a front view thereof;
FIG. 3 is a rear view thereof;
FIG. 4 is a left side view thereof;
FIG. 5 is a right side view thereof;
FIG. 6 is a top plan view thereof;
FIG. 7 is a bottom plan view thereof;
FIG. 8 is a rear perspective view thereof;
FIG. 9 is a top view thereof, shown in a partially opened state;
FIG. 10 is another top view thereof, shown in a further partially opened state;
FIG. 11 is a front perspective view of the mobile phone shown in a fully opened state;
FIG. 12 is a front view of FIG. 11;
FIG. 13 is a rear view of FIG. 11;
FIG. 14 is a left side view of FIG. 11;
FIG. 15 is a right side view of FIG. 11;
FIG. 16 is a top plan view of FIG. 11;
FIG. 17 is a bottom plan view of FIG. 11; and,
FIG. 18 is a rear perspective view of FIG. 11.

1 Claim, 18 Drawing Sheets



(58) **Field of Classification Search**

USPC D14/138 R, 147, 203.3–203.8, 218, 240,
 D14/247, 248, 315–318, 341–347, 371,
 D14/374, 388–389, 420, 426, 496;
 D6/308, 310; D10/50, 65, 104.1;
 D18/6–7; D19/26, 59–60; D21/324,
 D21/329–330, 332
 CPC G06F 1/1613; G06F 1/1626; G06F 3/0488;
 G06F 3/04886; H04M 1/725; H04M
 1/0202; H04M 1/0266
 See application file for complete search history.

D812,605 S * 3/2018 Senda D14/341
 D812,606 S * 3/2018 Senda D14/341
 D820,801 S * 6/2018 Yeom D14/138 AB
 D822,633 S * 7/2018 Yeom D14/138 AB
 D829,682 S * 10/2018 Han D14/138 AB
 D901,422 S * 11/2020 Lee D14/138 AB
 2015/0207102 A1* 7/2015 Jeong H04M 1/0268
 257/40
 2016/0246558 A1* 8/2016 Prushinskiy G06F 1/3218
 2017/0003756 A1* 1/2017 Gao G06F 3/0304
 2017/0115793 A1* 4/2017 Namgoong G06F 3/0414
 2018/0074553 A1* 3/2018 Yamazaki G09F 9/40
 2019/0325847 A1* 10/2019 Kong G09G 5/14

(56)

References Cited

U.S. PATENT DOCUMENTS

D723,541 S * 3/2015 Sohn D14/315
 D724,577 S * 3/2015 Yamazaki D14/341
 D737,794 S * 9/2015 Lee D14/138 G
 D761,251 S * 7/2016 Senda D14/341
 D761,252 S * 7/2016 Senda D14/341
 D761,253 S * 7/2016 Yamazaki D14/341
 D761,788 S * 7/2016 Yamazaki D14/341
 D780,179 S * 2/2017 Bae D14/374
 D789,922 S * 6/2017 Yamazaki D14/341

OTHER PUBLICATIONS

Xiaomi foldable phone with triple rear camera, Aug. 18, 2019 [online], [retrieved Nov. 18, 2020], Retrieved from Internet, URL: <<https://en.letsgodigital.org/smartphones/xiaomi-foldable-phone/>> (Year: 2019).*

LG tri-fold phone patent comes with a stylus, Sep. 3, 2019 [online], [retrieved Nov. 30, 2020], Retrieved from Internet, URL: <<https://www.slashgear.com/lg-tri-fold-phone-patent-comes-with-a-stylus-too-good-to-be-true-03589696/>> (Year: 2019).*

* cited by examiner

FIG. 1

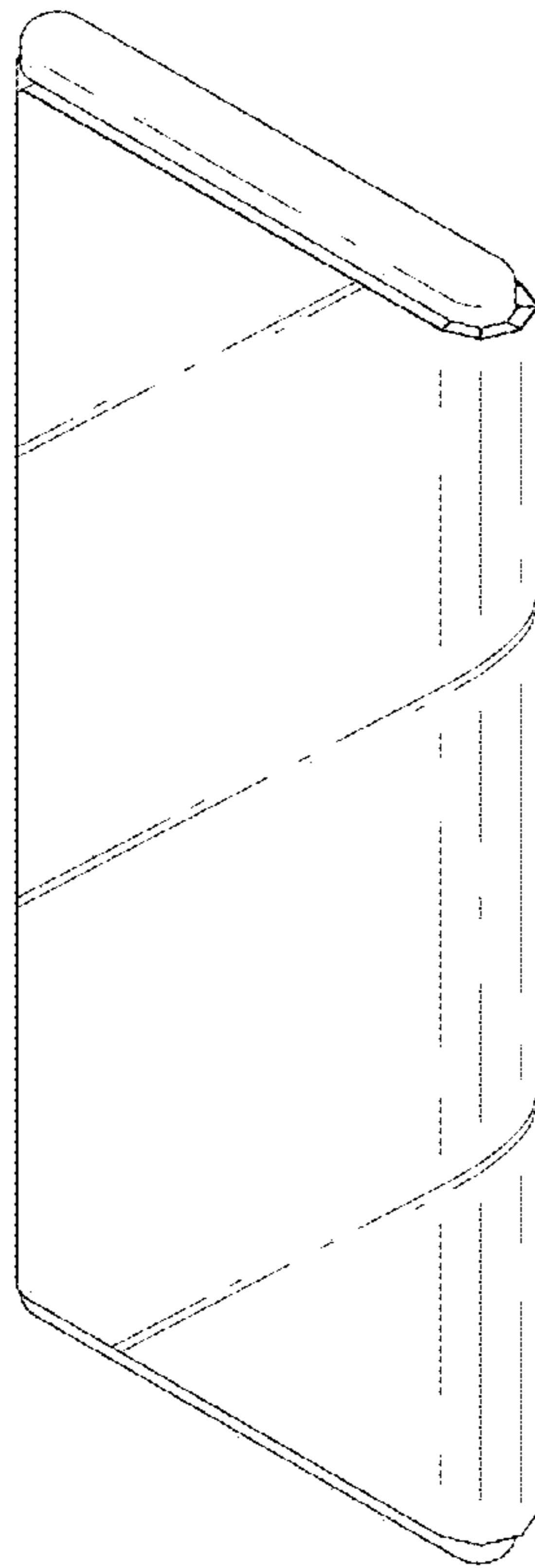


FIG. 2

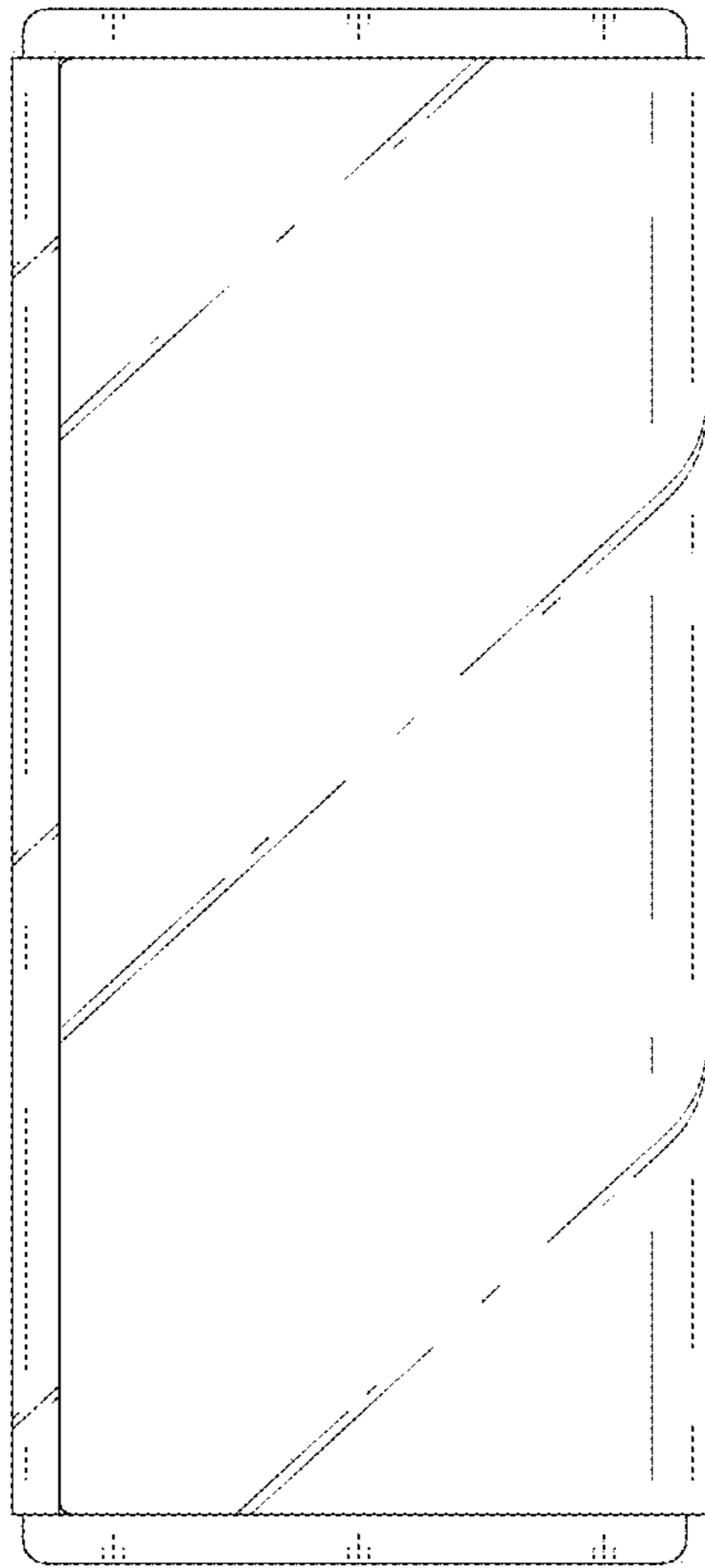


FIG. 3

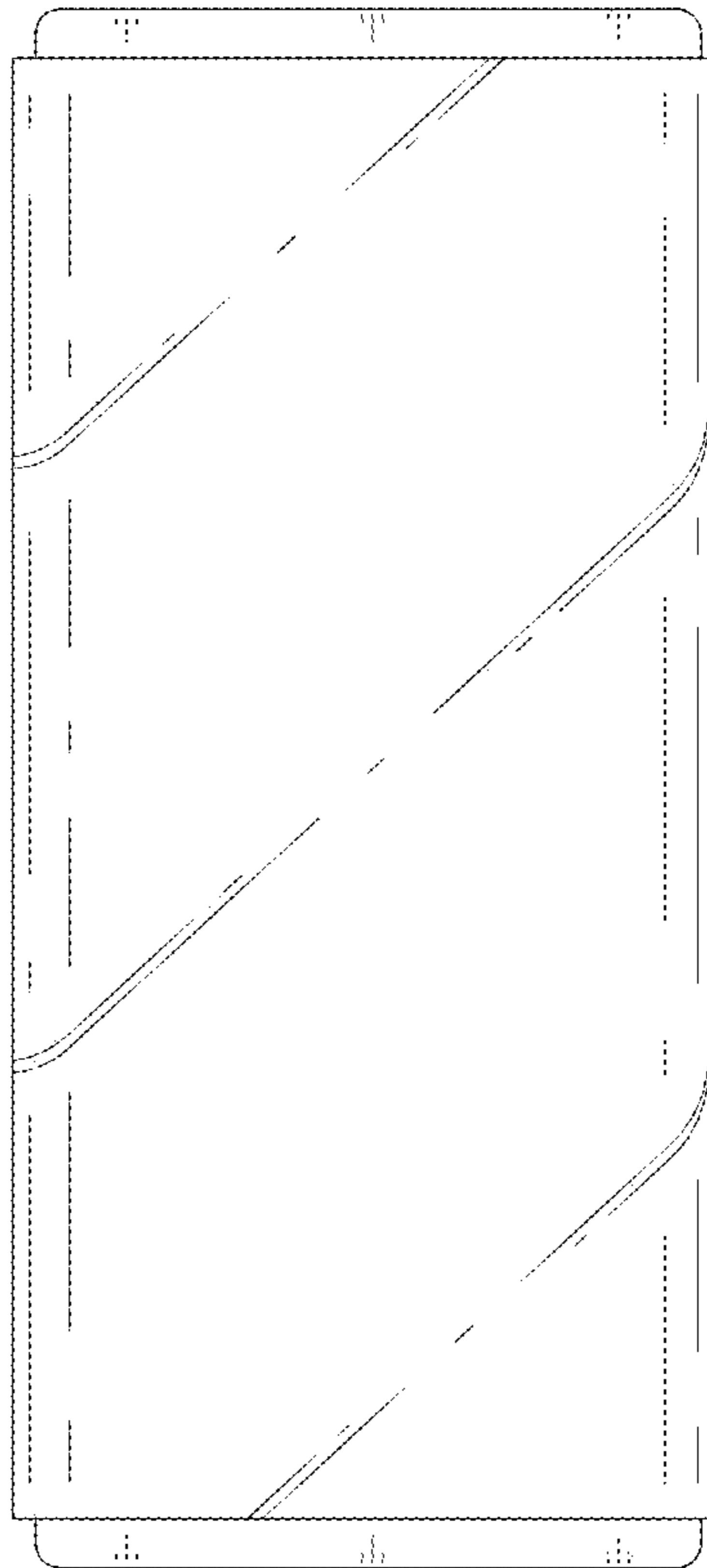


FIG. 4



FIG. 5



Replacement Sheet

FIG. 6

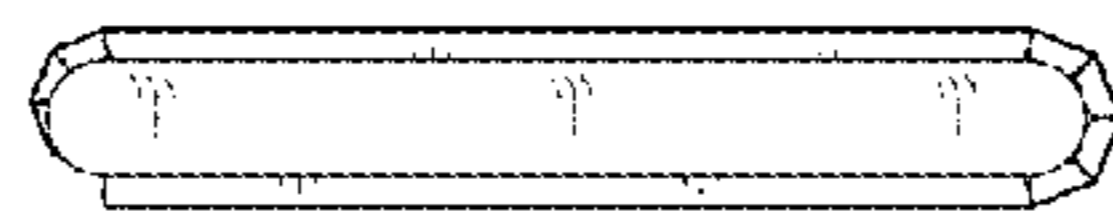


FIG. 7



FIG. 8

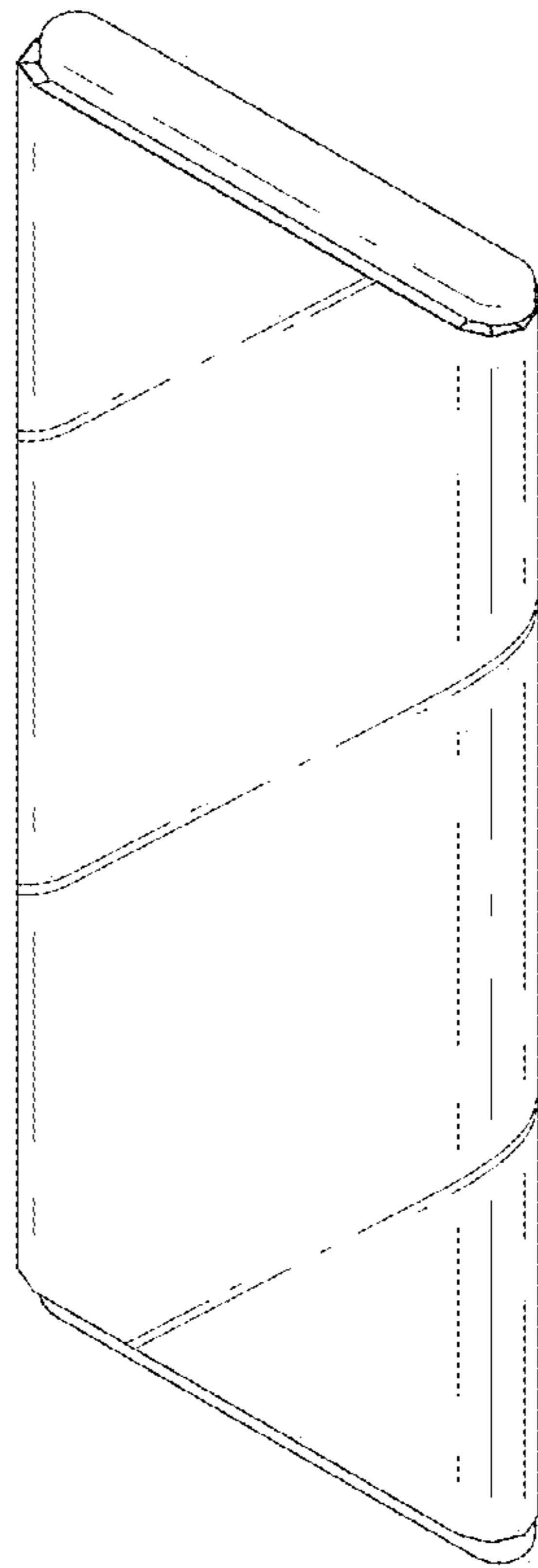


FIG. 9

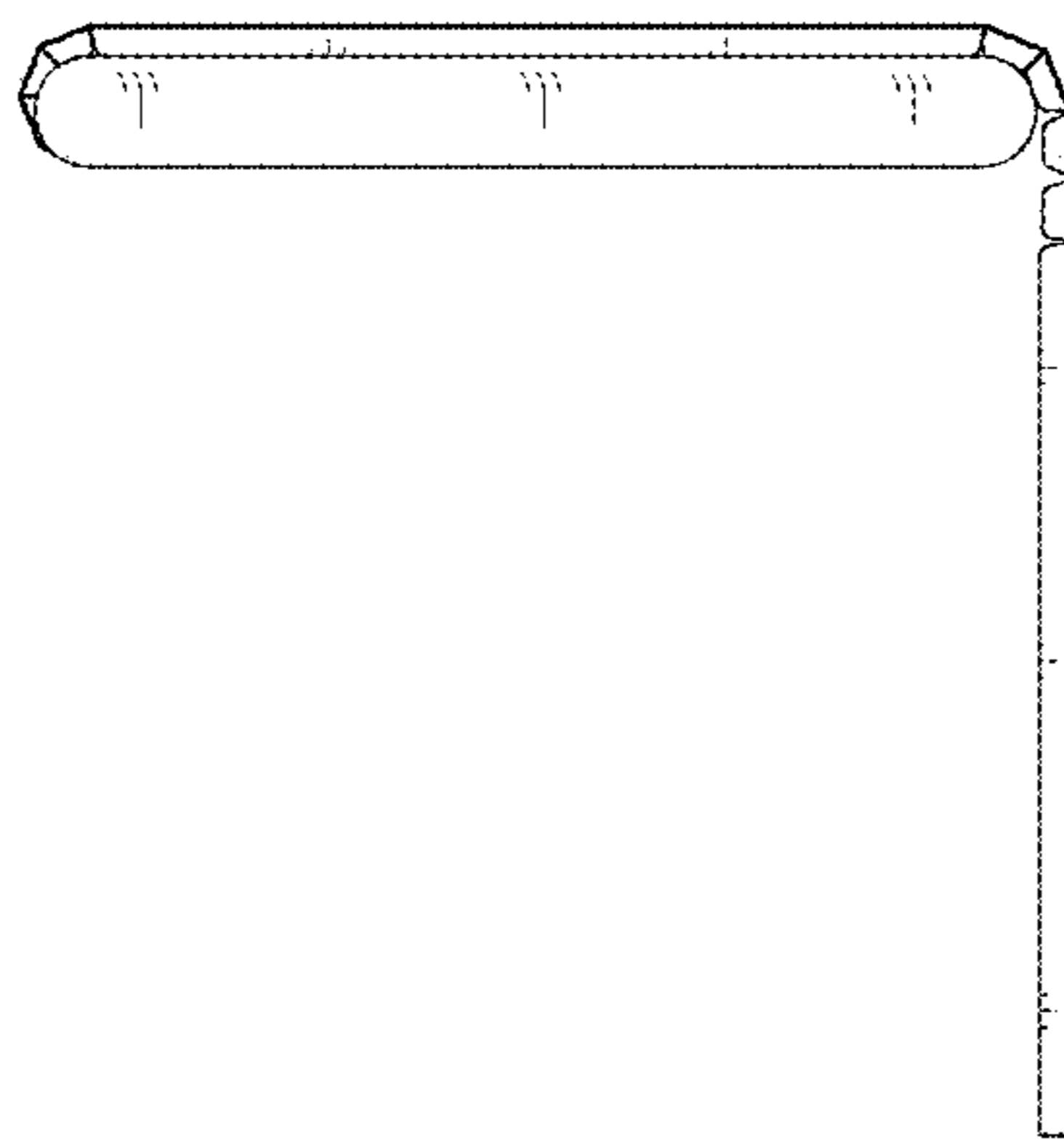


FIG. 10

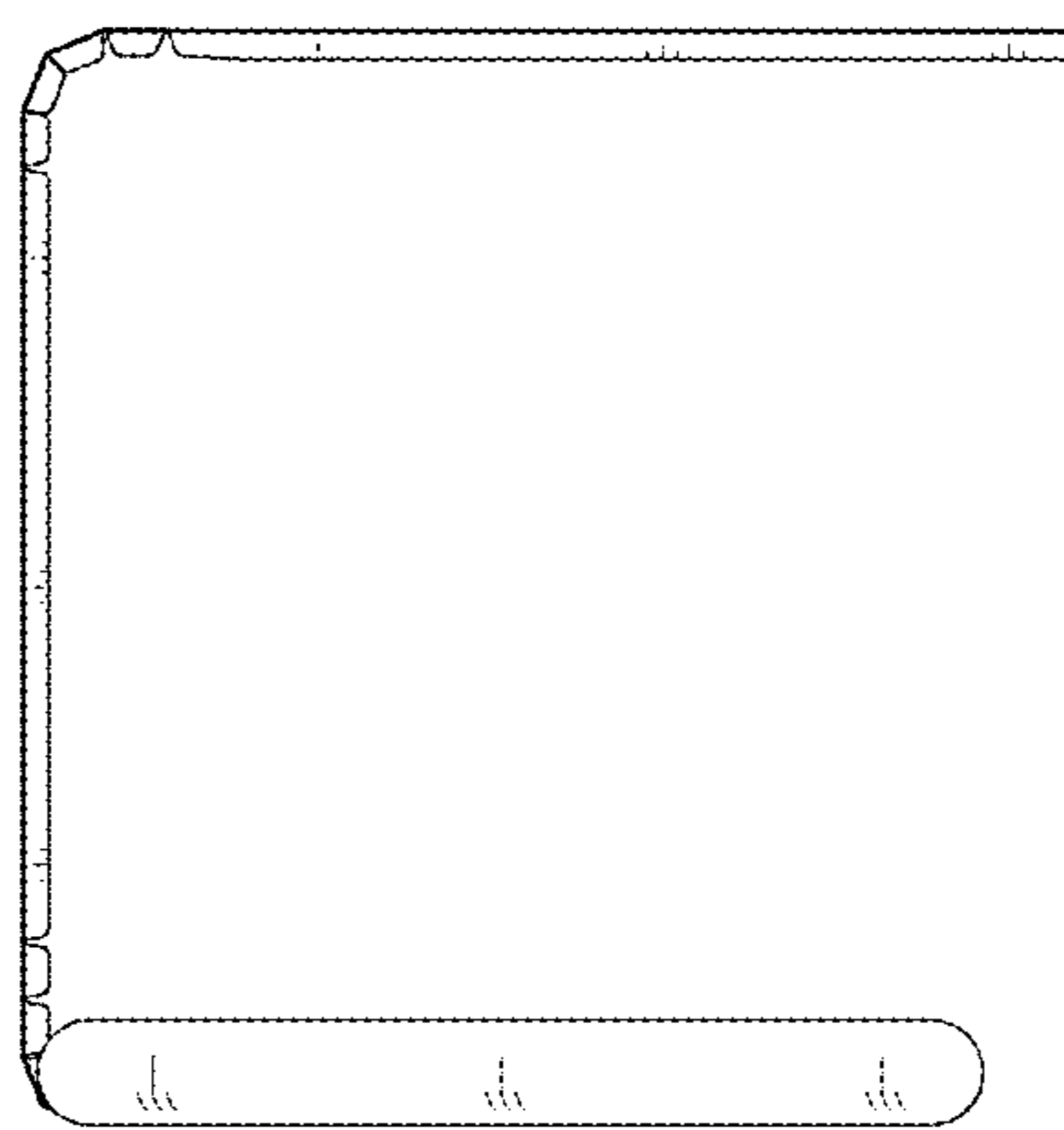


FIG. 11

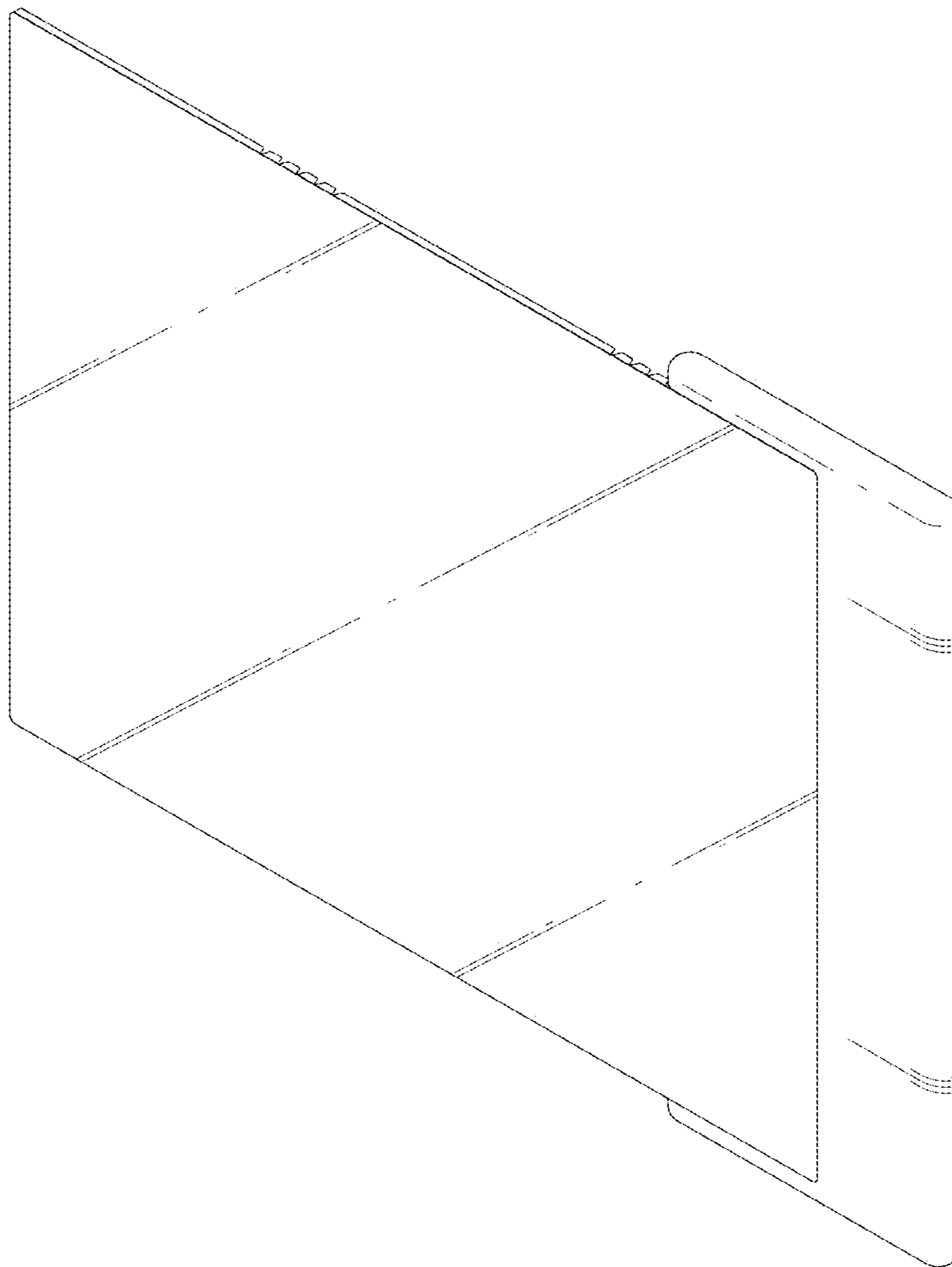


FIG. 12

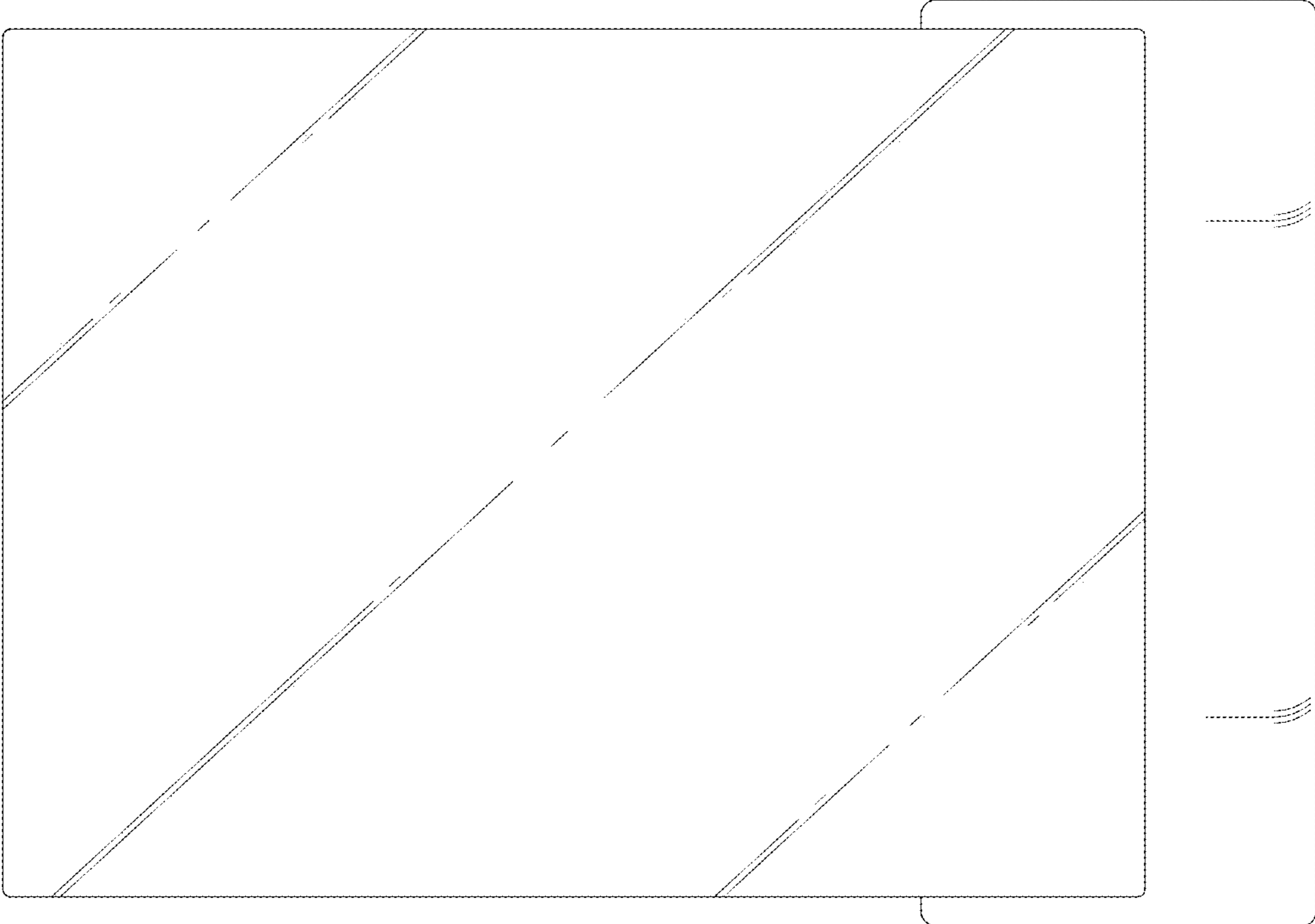


FIG. 13

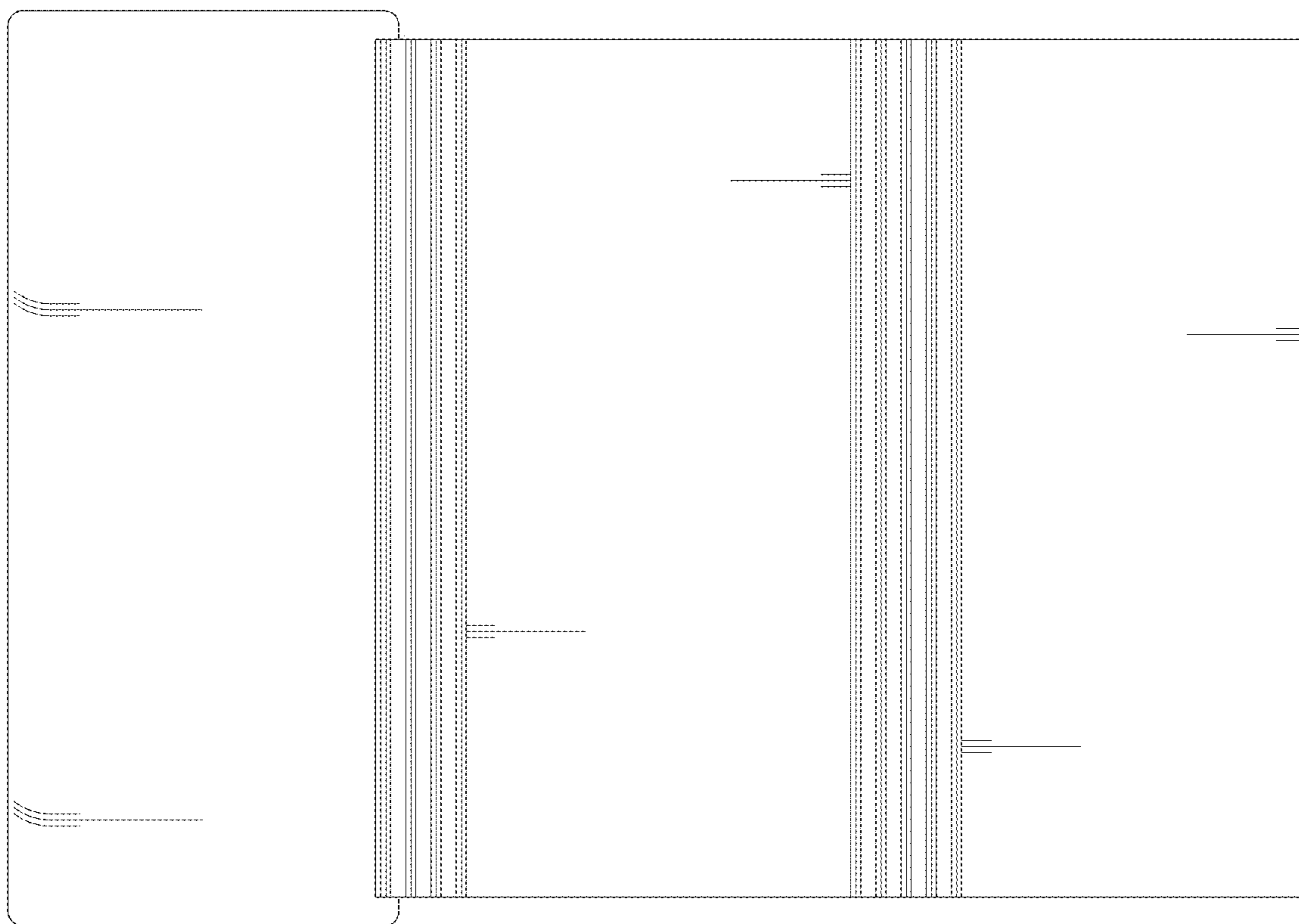


FIG. 14

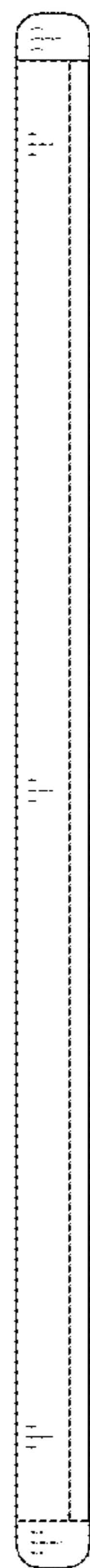


FIG. 15



FIG. 16



FIG. 17

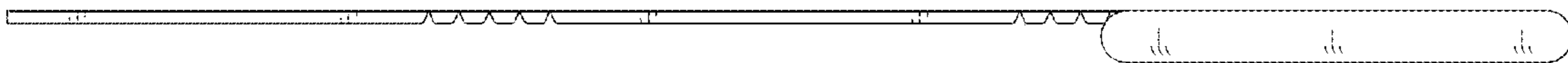


FIG. 18

