



US00D922336S

(12) **United States Design Patent** (10) **Patent No.:** **US D922,336 S**
Altonen et al. (45) **Date of Patent:** **** *Jun. 15, 2021**

(54) **CONTROL DEVICE**

(56) **References Cited**

(71) Applicant: **Lutron Technology Company LLC**,
Coopersburg, PA (US)
(72) Inventors: **Gregory Altonen**, Easton, PA (US);
Susan Hakkarainen, Doylestown, PA
(US); **Jason C. Killo**, Emmaus, PA
(US); **Brad Michael Kreschollek**,
Bethlehem, PA (US); **Matthew Philip
McDonald**, Phoenixville, PA (US)
(73) Assignee: **Lutron Technology Company LLC**,
Coopersburg, PA (US)

U.S. PATENT DOCUMENTS

D199,922 S	12/1964	Schlage	
D325,567 S *	4/1992	Jacoby, Jr.	D13/170
D362,841 S	10/1995	Roza	
D421,246 S *	2/2000	Mayo	D13/162
6,107,583 A	8/2000	Berfield	
D441,346 S	5/2001	Bonn	
D464,630 S	10/2002	Woodworth	
D469,411 S	1/2003	Decosse	
D515,516 S	2/2006	Mayo et al.	
D544,450 S *	6/2007	Miarta	D13/162
D558,692 S	1/2008	Neveu	

(Continued)

(*) Notice: This patent is subject to a terminal disclaimer.

(**) Term: **15 Years**

(21) Appl. No.: **29/724,257**

(22) Filed: **Feb. 13, 2020**

OTHER PUBLICATIONS

Lumenpulse-Lumentone brochure, 2013, 6 pgs.*

(Continued)

Primary Examiner — Selina Sikder

(74) Attorney, Agent, or Firm — Saidman DesignLaw
Group, LLC

Related U.S. Application Data

(63) Continuation of application No. 29/655,299, filed on
Jul. 2, 2018, now Pat. No. Des. 878,309, which is a
continuation of application No. 29/594,202, filed on
Feb. 16, 2017, now Pat. No. Des. 837,169.

(51) **LOC (13) Cl.** **13-03**

(52) **U.S. Cl.**
USPC **D13/171; D13/168**

(58) **Field of Classification Search**
USPC 13/162, 168, 171, 173, 174; D7/393;
D8/310, 312
CPC H01H 3/12; H01H 3/122; H01H 9/02;
H01H 9/16; H01H 9/18; H01H 9/181;
H01H 9/182; H01H 13/023; H01H 13/04;
H01H 13/06; H01H 13/14; H01H
2009/187; H05B 39/02; H05B 39/04;
H05B 39/085; H05B 39/086; H05B
39/088; G08C 17/02; H03K 17/962

See application file for complete search history.

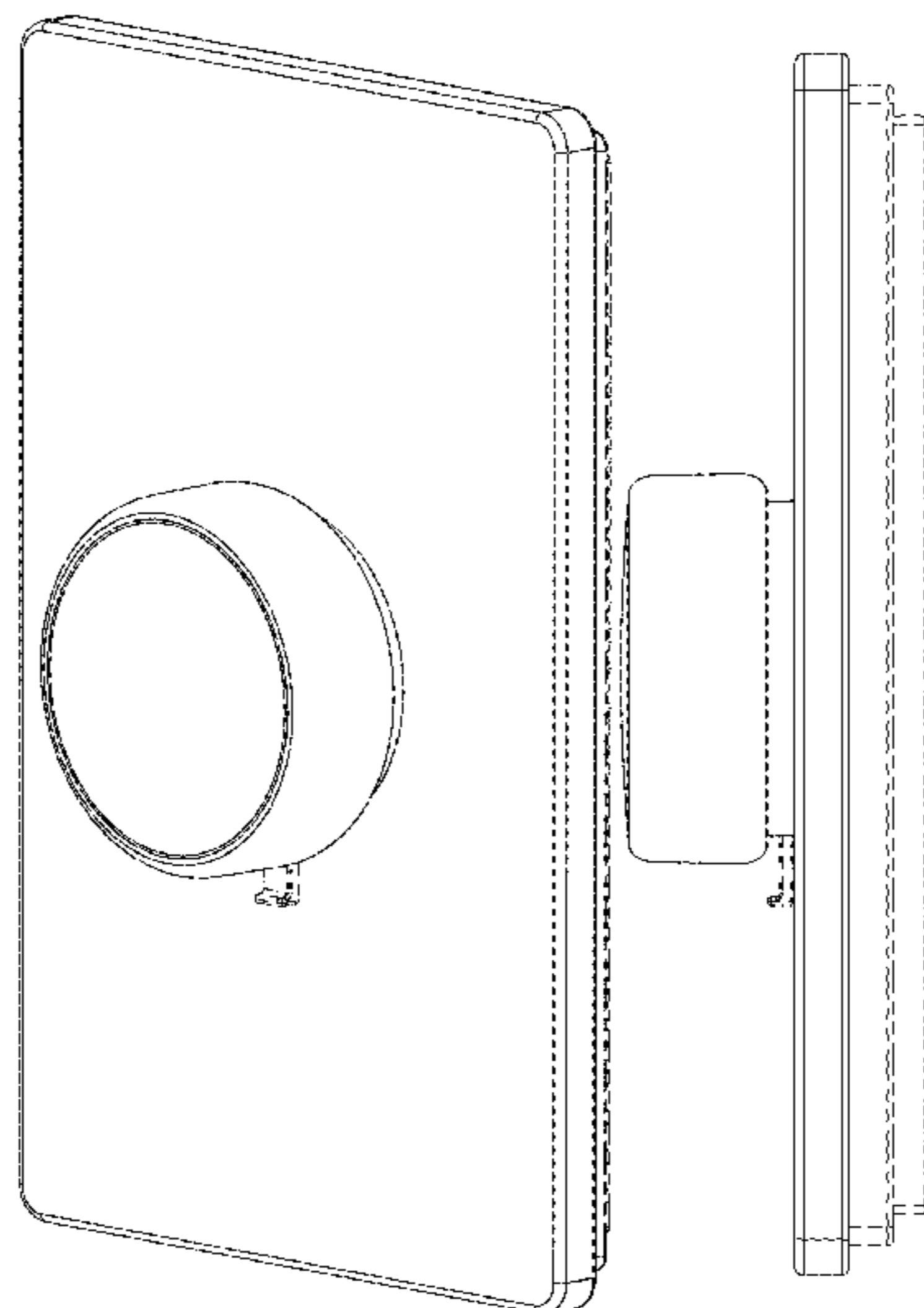
(57) **CLAIM**

The ornamental design for a control device, as shown and
described.

DESCRIPTION

FIG. 1 is a front perspective view of a control device
showing our new design;
FIG. 2 is a front view thereof;
FIG. 3 is a left side view thereof;
FIG. 4 is a right side view thereof;
FIG. 5 is a top view thereof; and,
FIG. 6 is a bottom view thereof.
The dashed broken lines illustrate structure or features
which form no part of the claimed design.

1 Claim, 4 Drawing Sheets



(56)

References Cited

U.S. PATENT DOCUMENTS

D589,463 S 3/2009 Sykes
 7,884,299 B2 2/2011 Glew
 D645,005 S 9/2011 Menheere
 D654,880 S 2/2012 Lam
 D687,328 S 8/2013 Clymer et al.
 8,786,196 B2 7/2014 Biery et al.
 D713,236 S 9/2014 Park
 D725,612 S 3/2015 Schlegel et al.
 D748,648 S 2/2016 Kim et al.
 D755,037 S 5/2016 Czerwinski, Jr. et al.
 9,337,943 B2 5/2016 Mosebrook et al.
 D761,277 S 7/2016 Harvell
 D762,716 S 8/2016 Yang et al.
 D763,308 S 8/2016 Wang et al.
 D766,844 S 9/2016 Turksu et al.
 9,538,619 B2 1/2017 Swatsky et al.
 9,565,742 B2 2/2017 Swatsky et al.
 9,633,557 B2 4/2017 Dimberg et al.
 D786,932 S 5/2017 Kim et al.
 D808,912 S 1/2018 Dimberg et al.
 D814,428 S 4/2018 Dimberg et al.
 D837,168 S 1/2019 Altonen et al.
 D837,169 S 1/2019 Altonen et al.
 D839,847 S 2/2019 Dimberg et al.
 D846,508 S 4/2019 Dimberg et al.
 D868,009 S 11/2019 Dimberg et al.
 D868,010 S 11/2019 Bard et al.
 D879,055 S * 3/2020 Altonen D13/171
 D892,751 S * 8/2020 Altonen D13/171
 D893,437 S * 8/2020 Dimberg D13/171
 2007/0057922 A1 3/2007 Schultz et al.
 2007/0102275 A1 5/2007 Genz et al.
 2007/0193867 A1 8/2007 Lorenzo Riera et al.
 2010/0175971 A1 7/2010 Kim et al.
 2013/0328500 A1 12/2013 Toda
 2014/0042002 A1 2/2014 Chu
 2014/0117871 A1 5/2014 Swatsky et al.

2015/0371534 A1 12/2015 Dimberg et al.
 2017/0278383 A1 9/2017 Dimberg et al.
 2017/0280533 A1 9/2017 Dimberg et al.
 2017/0352506 A1 12/2017 Dimberg
 2017/0354012 A1 12/2017 Bard et al.
 2017/0354021 A1 12/2017 Dimberg et al.
 2017/0354022 A1 12/2017 Dimberg et al.
 2017/0354023 A1 12/2017 Dimberg et al.
 2018/0005742 A1 1/2018 Newman, Jr. et al.
 2018/0116039 A1 4/2018 Harte et al.

OTHER PUBLICATIONS

Echo Inspire Control Stations; 2018, 7 pages.*
 Legrand® / Pass & Seymour®, P&S Dimmers—DR Series Brochure, 2010, 2 pages.
 Legrand®, Dimmers Brochure, 2015, 18 pages.
 LUMENPULSE™, Lumentone™ Specification Sheet, 2013, 4 pages.
 LUMENPULSE™, Lumentone™ Installation Instructions, 2013, 1 page.
 LUMENPULSE™, Lumentone™ Quick Reference Guide, 2015, 3 pages.
 Electronic Theatre Controls, Inc., Echo Inspire® Station Programming Guide, Software Version 2.0.1, Feb. 2015, 44 pages.
 Electronic Theatre Controls, Inc., Echo Inspire® Control Stations, <URL:https://www.etccconnect.com/Products/Architecturat-Systems/Echo/Control-Stations/Inspire-Control-Stations/Features.aspx>, available from Internet at least as early as Jul. 15, 2014 [site visited May 9, 2018].
 Electronic Theatre Controls, Inc., Echo Inspire® Control Station: 4-Button with Fader Knob, photograph taken on May 8, 2018.
 U.S. Appl. No. 62/345,449, filed Jun. 3, 2016 (unpublished).
 U.S. Appl. No. 62/345,222, filed Jun. 3, 2016 (unpublished).
 U.S. Appl. No. 29/597,335, filed Mar. 16, 2017 (unpublished).
 U.S. Appl. No. 29/697,938, filed Jul. 12, 2019 (unpublished).
 U.S. Appl. No. 29/697,939, filed Jul. 12, 2019 (unpublished).
 U.S. Appl. No. 29/709,557, filed Oct. 15, 2019 (unpublished).

* cited by examiner

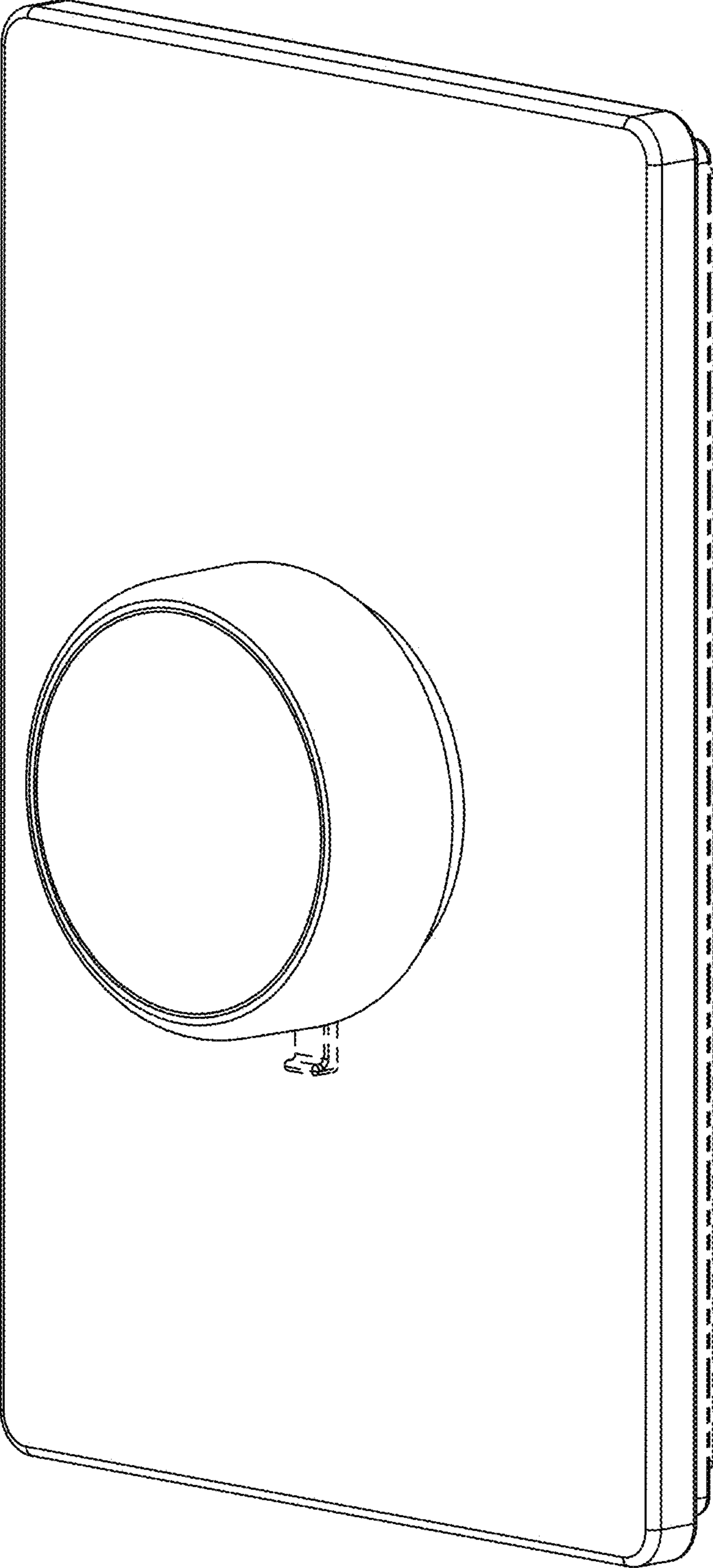


FIG. 1

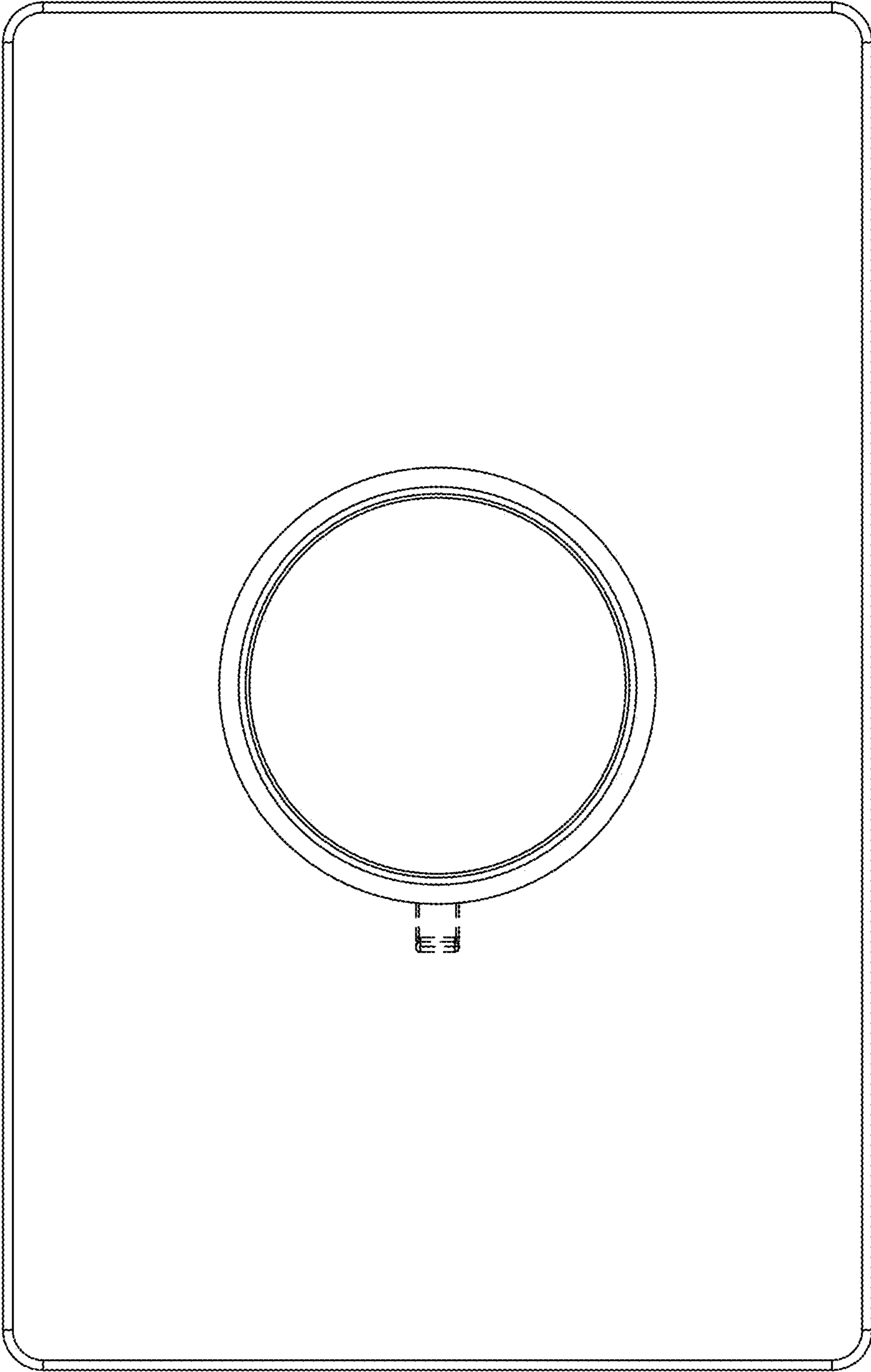


FIG. 2

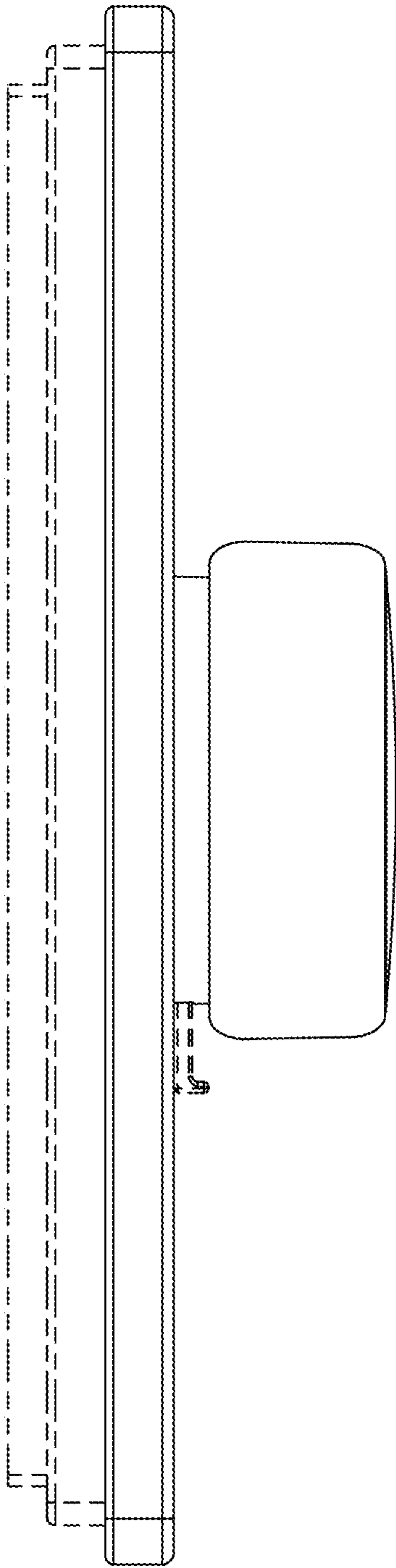


FIG. 3

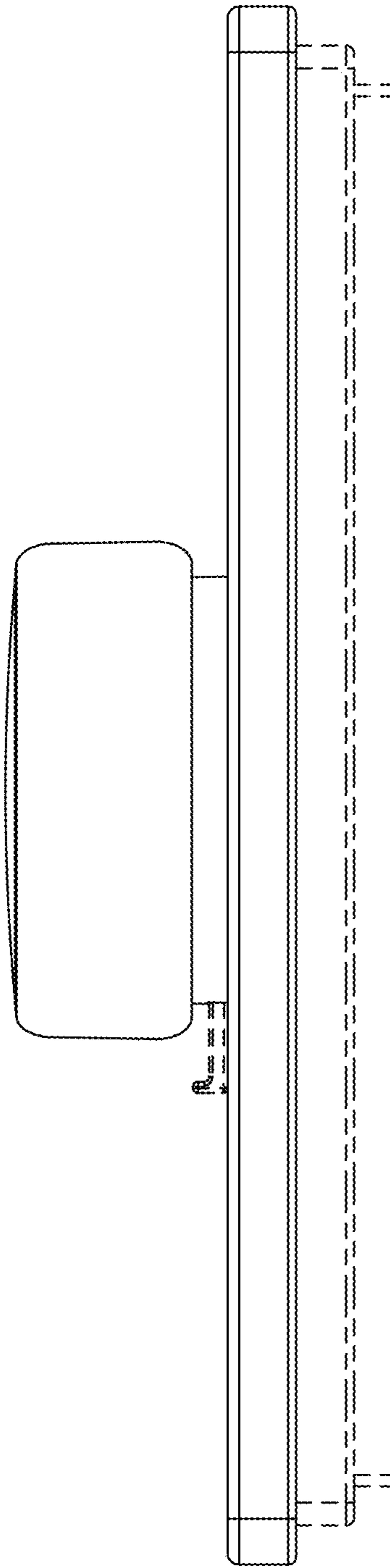


FIG. 4

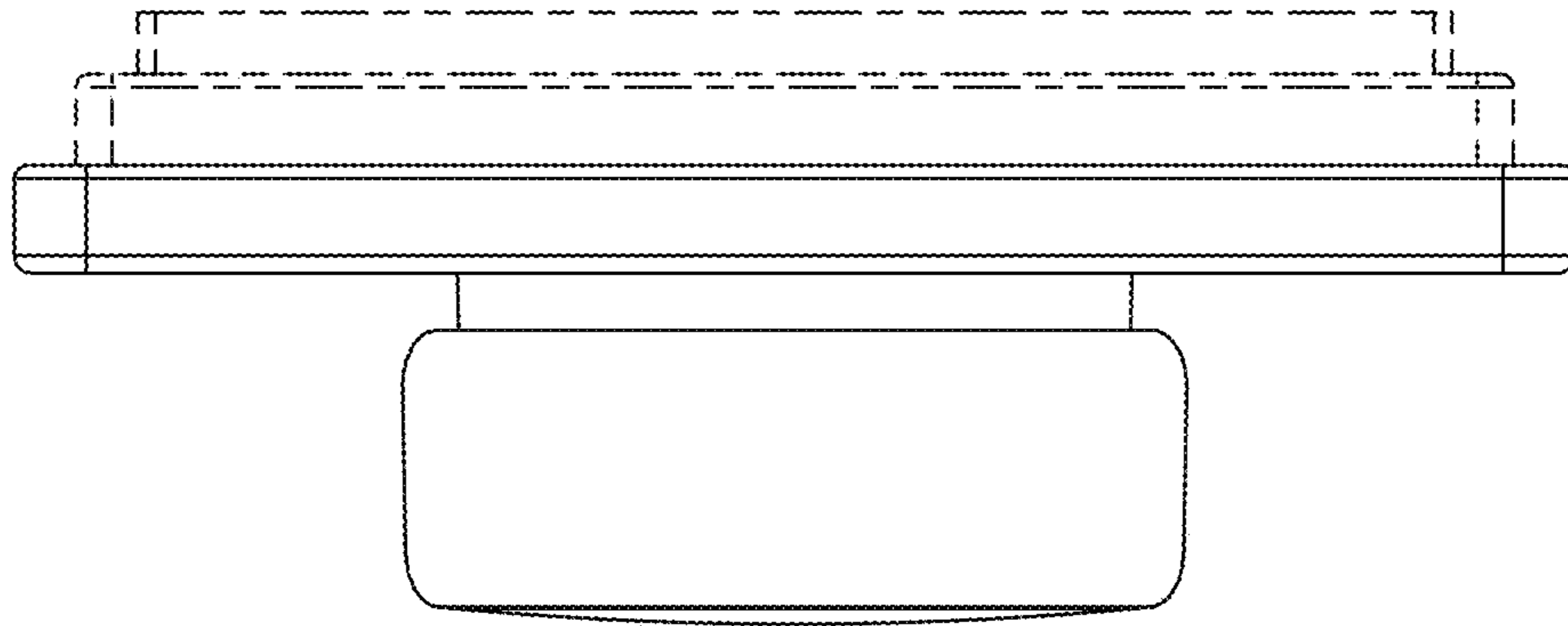


FIG. 5

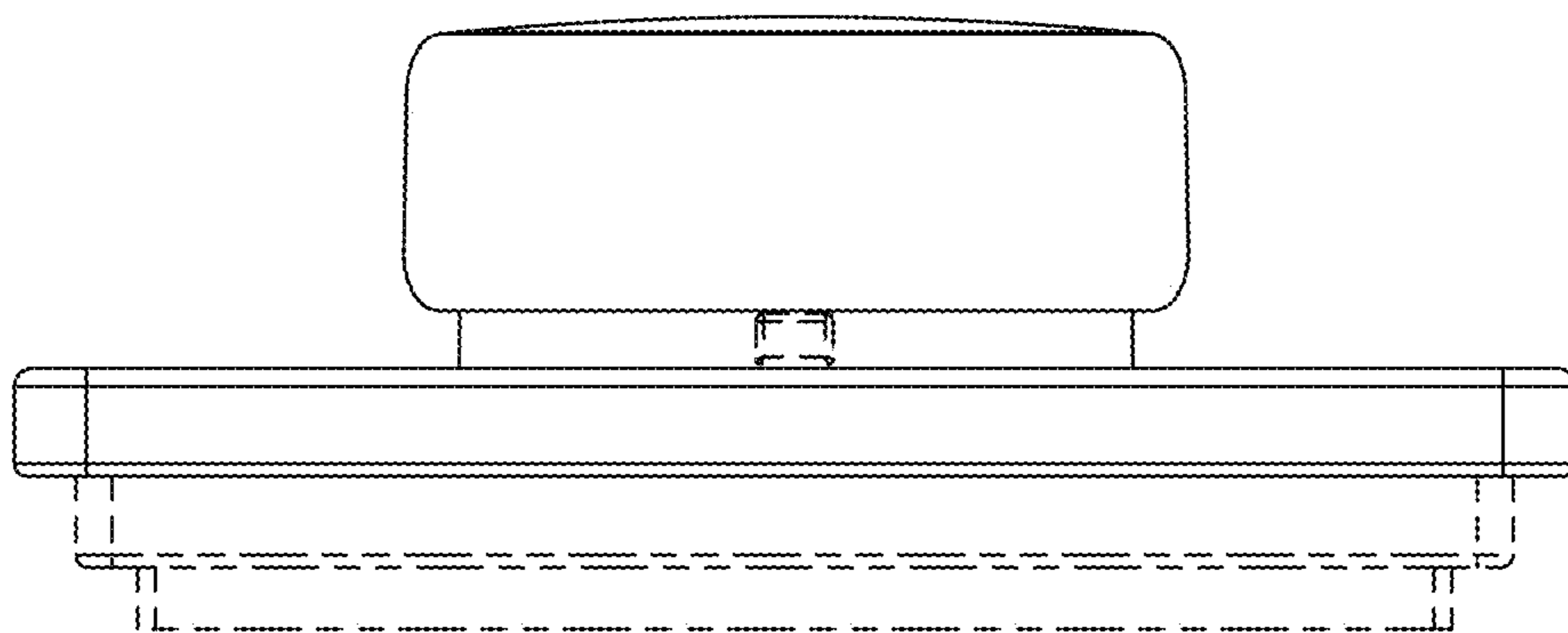


FIG. 6

UNITED STATES PATENT AND TRADEMARK OFFICE
CERTIFICATE OF CORRECTION

PATENT NO. : D922,336 S
APPLICATION NO. : 29/724257
DATED : June 15, 2021
INVENTOR(S) : Gregory Altonen et al.

Page 1 of 1

It is certified that error appears in the above-identified patent and that said Letters Patent is hereby corrected as shown below:

On the Title Page

On page 2, in Column 2, item (56) References Cited, under "OTHER PUBLICATIONS", Line 1:

-Echo Inspire Conctrol Stations; 2018, 7 pages.-

Should read:

--Echo Inspire Control Stations; 2018, 7 pages.--

Signed and Sealed this
Twenty-fourth Day of August, 2021



Drew Hirshfeld
*Performing the Functions and Duties of the
Under Secretary of Commerce for Intellectual Property and
Director of the United States Patent and Trademark Office*