



US00D922335S

(12) **United States Design Patent** (10) **Patent No.:** **US D922,335 S**
Lu (45) **Date of Patent:** **** Jun. 15, 2021**

(54) **SPEED CONTROLLER**

(71) Applicant: **SHENZHEN XPADSP TECHNOLOGY CO., LTD**, Shenzhen (CN)

(72) Inventor: **Qing Lu**, Guangdong (CN)

(**) Term: **15 Years**

(21) Appl. No.: **29/758,058**

(22) Filed: **Nov. 12, 2020**

(51) **LOC (13) Cl.** **13-03**

(52) **U.S. Cl.**
USPC **D13/168**

(58) **Field of Classification Search**
USPC D13/137.3, 168, 171; D14/155, 188, D14/205, 217, 218, 225, 255, 240, 433; D21/566; D10/104.1, 106.1
CPC ... G08C 17/00; G08C 17/02; G08C 2201/30; G08C 19/00; G08C 19/12; G08C 19/28; G08C 23/04; A45D 29/05; A45D 29/14; H01H 9/02; H01H 9/0214; H01H 9/0228; H01H 9/0235; H01H 9/0242; H01H 9/16; H01H 9/161; H01H 9/165; H03J 9/00; H03J 9/02; H03J 9/04; H03J 9/06; G05B 11/01

See application file for complete search history.

(56) **References Cited**

U.S. PATENT DOCUMENTS

D531,615 S * 11/2006 Lee D14/188
D574,335 S * 8/2008 Ni
D605,170 S * 12/2009 Keinanen D14/205
D619,558 S * 7/2010 Seil D14/155
D633,447 S * 3/2011 Schaal D13/168
D726,831 S * 4/2015 Lee D21/333
D743,381 S * 11/2015 Pi D14/218
D751,527 S * 3/2016 Hinokio D14/204
D800,720 S * 10/2017 Kim D14/344
D822,643 S * 7/2018 Chen D14/218
D823,827 S * 7/2018 Pourriot D14/205

D824,883 S * 8/2018 Williamson D14/218
D840,358 S * 2/2019 Zhao D13/168
D840,954 S * 2/2019 Wu D13/168
D867,335 S * 11/2019 Lee D14/218
D910,580 S * 2/2021 Zhu D13/168
D912,005 S * 3/2021 Zhang D14/155
D916,034 S * 4/2021 Shi D13/168
2020/0052514 A1* 2/2020 Haile A45D 29/18
2020/0375336 A1* 12/2020 Hurter H02J 7/0044

(Continued)

FOREIGN PATENT DOCUMENTS

EM 7004718450 * 5/2018
EM 008266647-0001 * 11/2020

OTHER PUBLICATIONS

35000 RPM Nail Drill Machine Manual Switch; 1 pg.; retrieved on Apr. 28, 2021; <https://www.aliexpress.com/item/4000068004478.html>.*

(Continued)

Primary Examiner — Selina Sikder

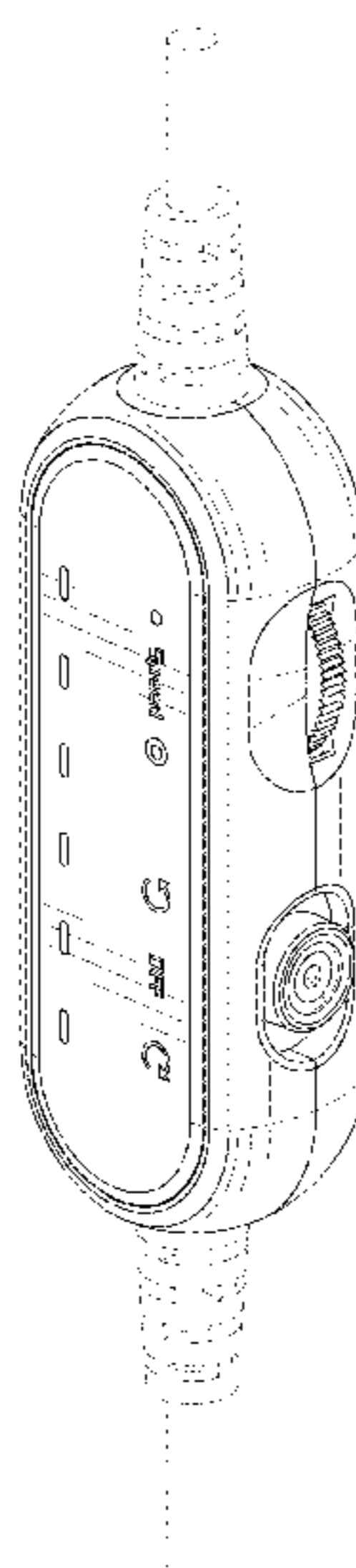
(57) **CLAIM**

The ornamental design for a speed controller, as shown and described.

DESCRIPTION

FIG. 1 is a front and top perspective view of a speed controller, showing my new design;
FIG. 2 is a rear and bottom perspective view thereof;
FIG. 3 is a front elevational view thereof;
FIG. 4 is a rear elevational view thereof;
FIG. 5 is a left side elevational view thereof;
FIG. 6 is a right side elevational view thereof;
FIG. 7 is a top plan view thereof; and,
FIG. 8 is a bottom plan view thereof.
The broken lines in the figures illustrate portions of the article that form no part of the claimed design.

1 Claim, 8 Drawing Sheets



(56)

References Cited

U.S. PATENT DOCUMENTS

2021/0045513 A1* 2/2021 Cheng H02J 7/0045
2021/0100332 A1* 4/2021 Hsieh A45D 29/05

OTHER PUBLICATIONS

Cordless Electric Nail Drill ; retrieved on Apr. 28, 2021; 1 pg.;
https://www.amazon.com/Professional-Rechargeable-Portable-Electric-Extension/dp/B08DFNKFV/ref=sr_1_24?dchild=1&keywords=35000+RPM+Nail+Drill+Machine+Manual+Switch&qid=1619620878&sr=8-24.*

Nail Drill Machine Portable Rechargeable Nail Drill Bits VT202241;
retrieved on Apr. 28, 2021; 1 pg.; <https://www.vettsy.com/products/nail-drill-machine-portable-rechargeable-nail-drill-bits-vt202241?variant=32544255148111>.*

Electric Nail Drill Set ; etrieved on Apr. 28, 2021; 1 pg.; <https://www.dhgate.com/product/electric-nail-drill-set-nail-polishing-machine/519192156.html>.*

Nail Drill Machine For Manicure 30000RPM ; retrieved on Apr. 28,
2021; 1 pg.; <https://www.cicig.co/product/1005001895774010/nail-drill-machine-for-manicure-30000rpm-rechargeable-nail-file-led-display-nail-tools-manicure-machine-nail-drill-bits-polisher>.*

China Custom Electric Manicure Nail Drill; retrieved on Apr. 28,
2021; 1 pg.; <http://www.ibnnail.com/nail-drill/rechargeable-nail-drill-machine/electric-manicure-nail-drill.html>.*

* cited by examiner

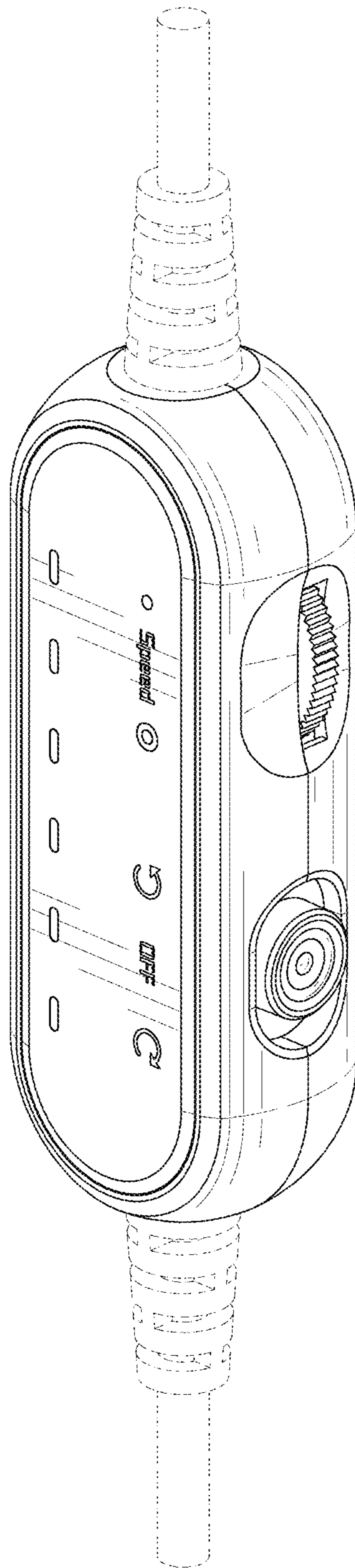


FIG. 1

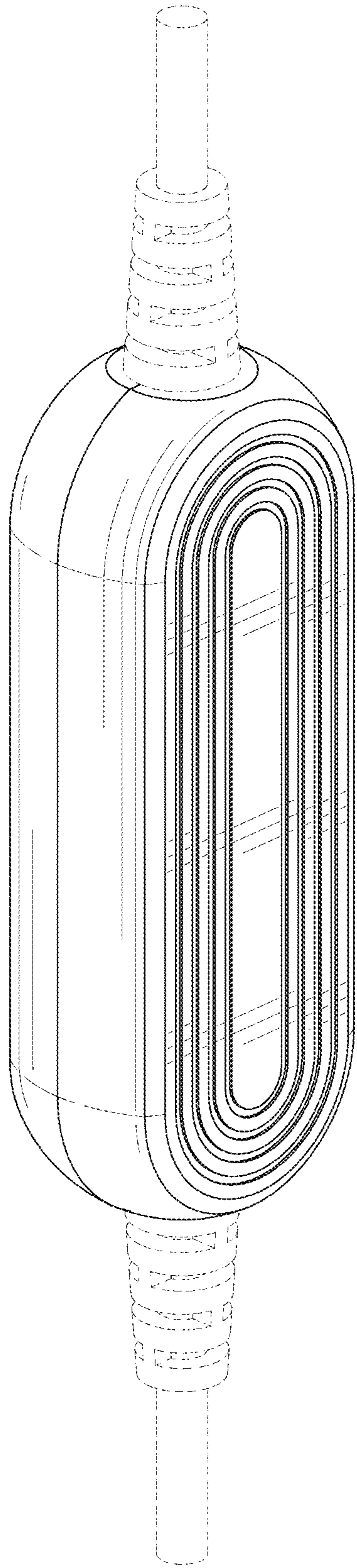


FIG. 2

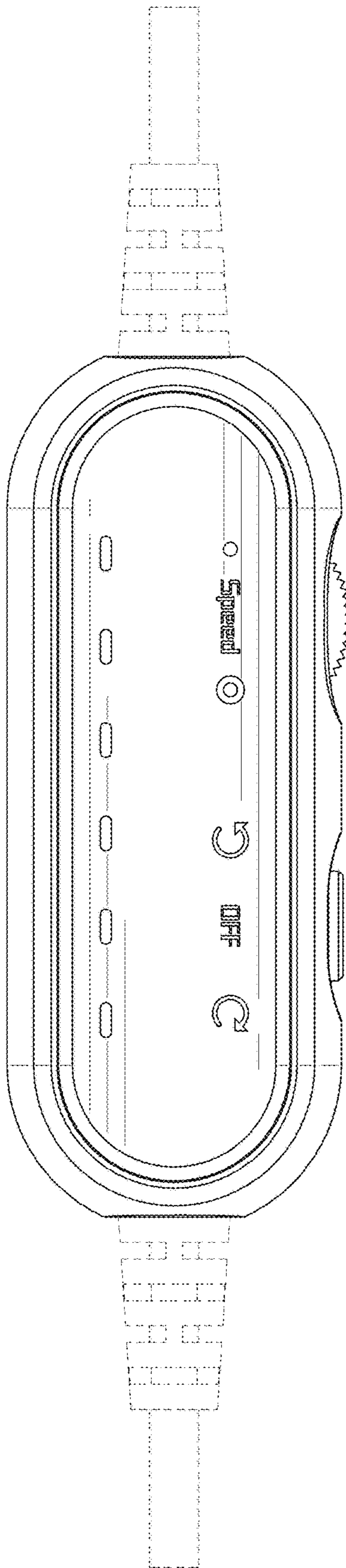


FIG. 3

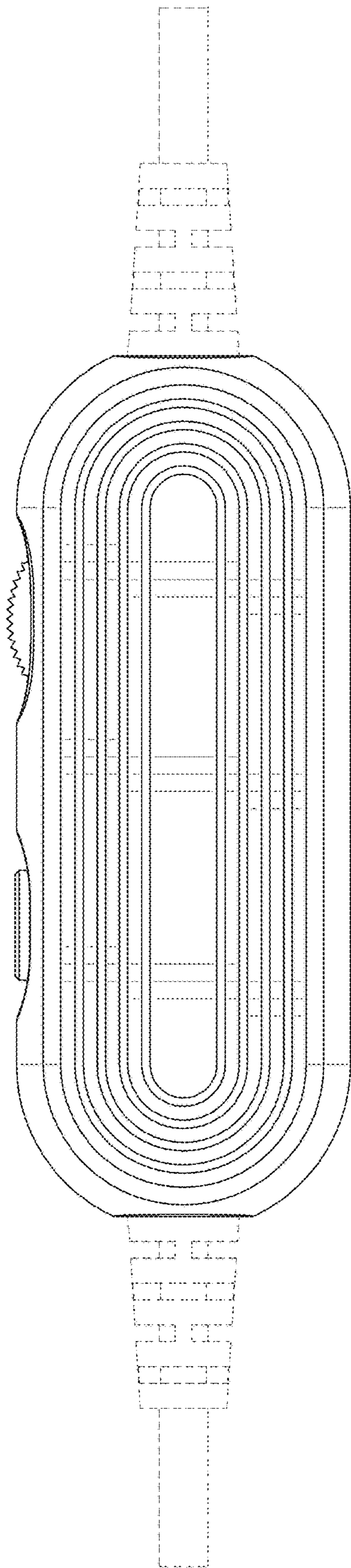


FIG. 4

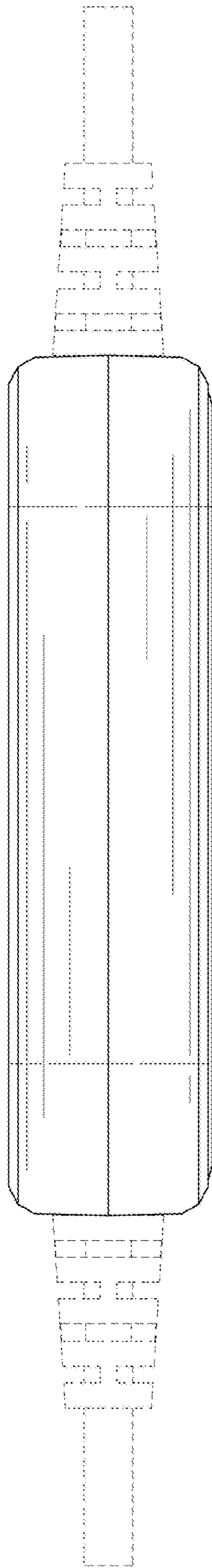


FIG. 5

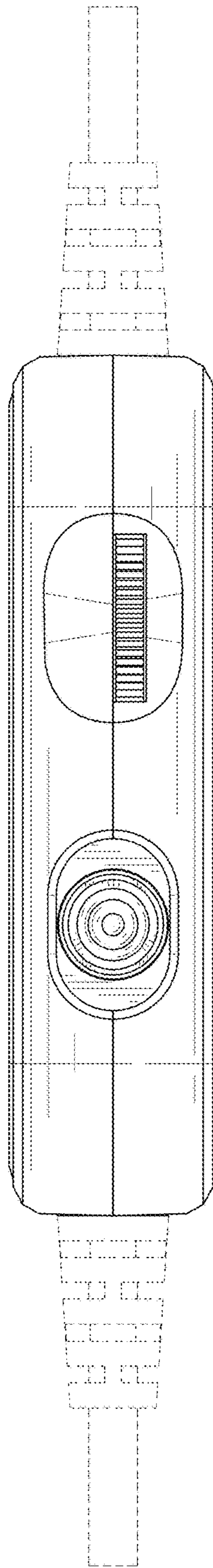


FIG. 6

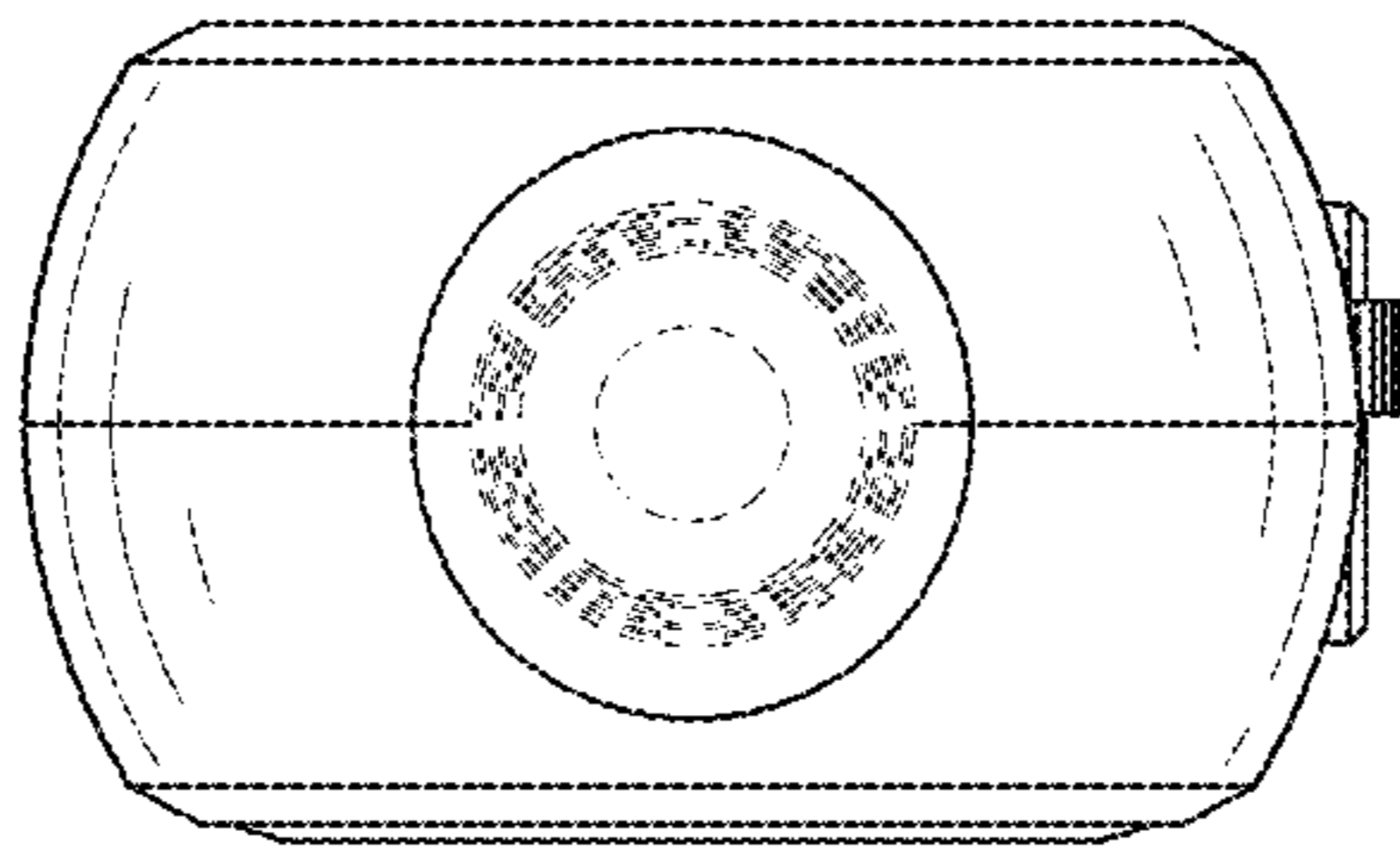


FIG. 7

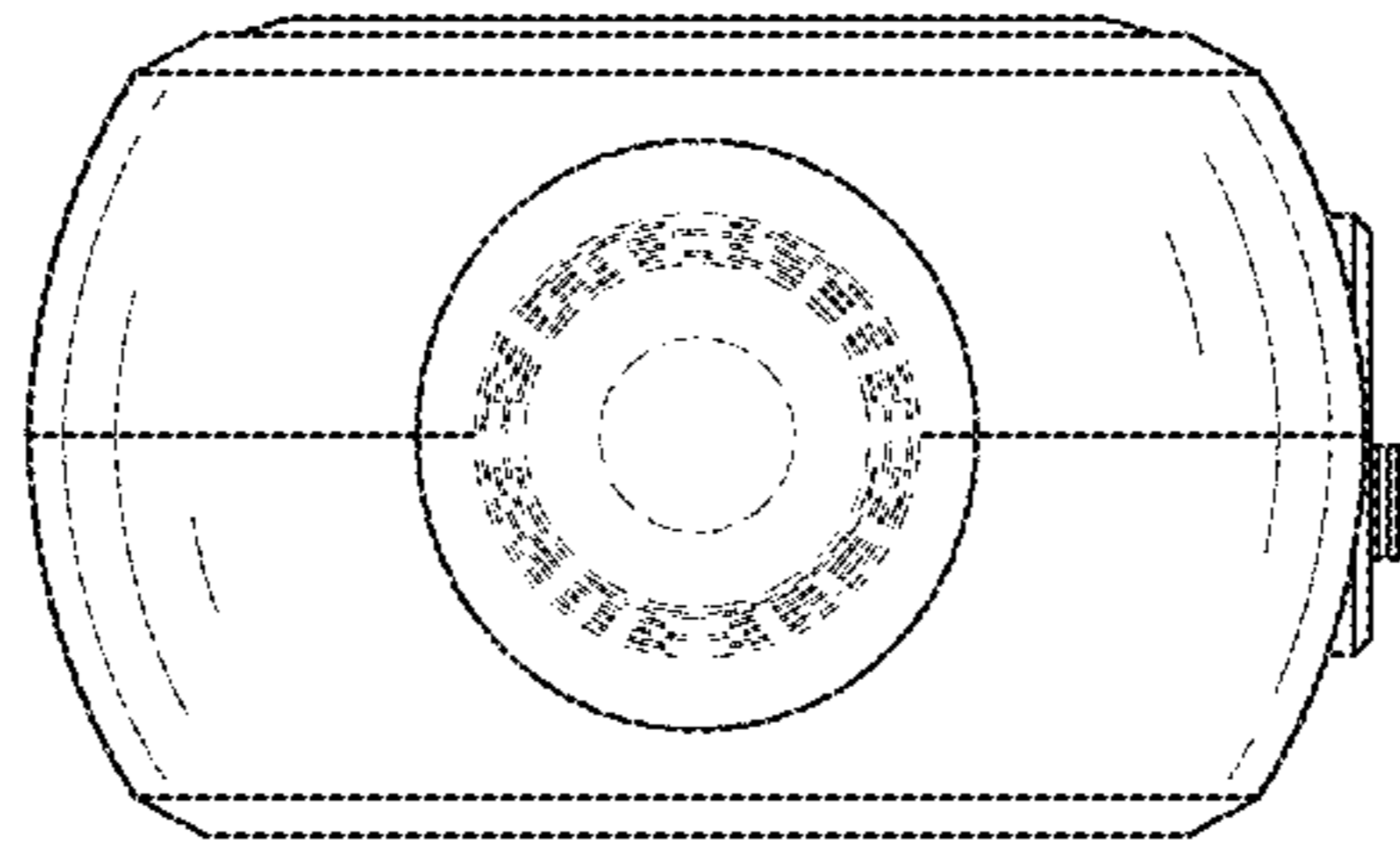


FIG. 8