



US00D922332S

(12) **United States Design Patent**  
**Medhin**

(10) **Patent No.:** **US D922,332 S**

(45) **Date of Patent:** **\*\* Jun. 15, 2021**

(54) **CORD PROTECTOR**

(71) Applicant: **Michael S. Medhin**, Alexandria, VA  
(US)

(72) Inventor: **Michael S. Medhin**, Alexandria, VA  
(US)

(\*\*) Term: **15 Years**

(21) Appl. No.: **29/645,829**

(22) Filed: **Apr. 30, 2018**

(51) **LOC (13) Cl.** ..... **13-03**

(52) **U.S. Cl.**  
USPC ..... **D13/154**

(58) **Field of Classification Search**  
USPC ..... D13/107, 108, 110, 123, 133,  
D13/137.1–137.4, 138.1–138.2,  
D13/139.1–139.8, 152, 154, 184, 147,  
D13/199, 146, 151, 153, 155, 156, 164;  
D8/350, 353–356  
CPC ..... H01R 11/00; H01R 9/00; H01R 13/00;  
H01R 13/04; H01R 13/10; H01R  
13/6666; H01R 13/6675; H01R 13/46;  
H01R 25/00; H01R 25/006; H01R 24/28;  
H01H 2207/00; H01H 2207/022; H01B  
7/2806

See application file for complete search history.

(56) **References Cited**

**U.S. PATENT DOCUMENTS**

D317,298 S \* 6/1991 Schmidt ..... D13/154  
D541,751 S \* 5/2007 Park ..... D13/151  
7,825,337 B2 \* 11/2010 Young, IV ..... H02G 3/30  
174/72 A  
D702,535 S \* 4/2014 Rothbaum ..... D8/356

9,077,111 B2 \* 7/2015 Brown ..... G02B 6/4452  
D741,150 S \* 10/2015 Bainbridge ..... D8/356  
D763,665 S \* 8/2016 Hallare ..... D8/356  
D853,219 S \* 7/2019 Beaudoin ..... D8/354

\* cited by examiner

*Primary Examiner* — Christy Nemeth

(74) *Attorney, Agent, or Firm* — Andrew M. Calderon;  
Roberts Calderon Safran & Cole, P.C.

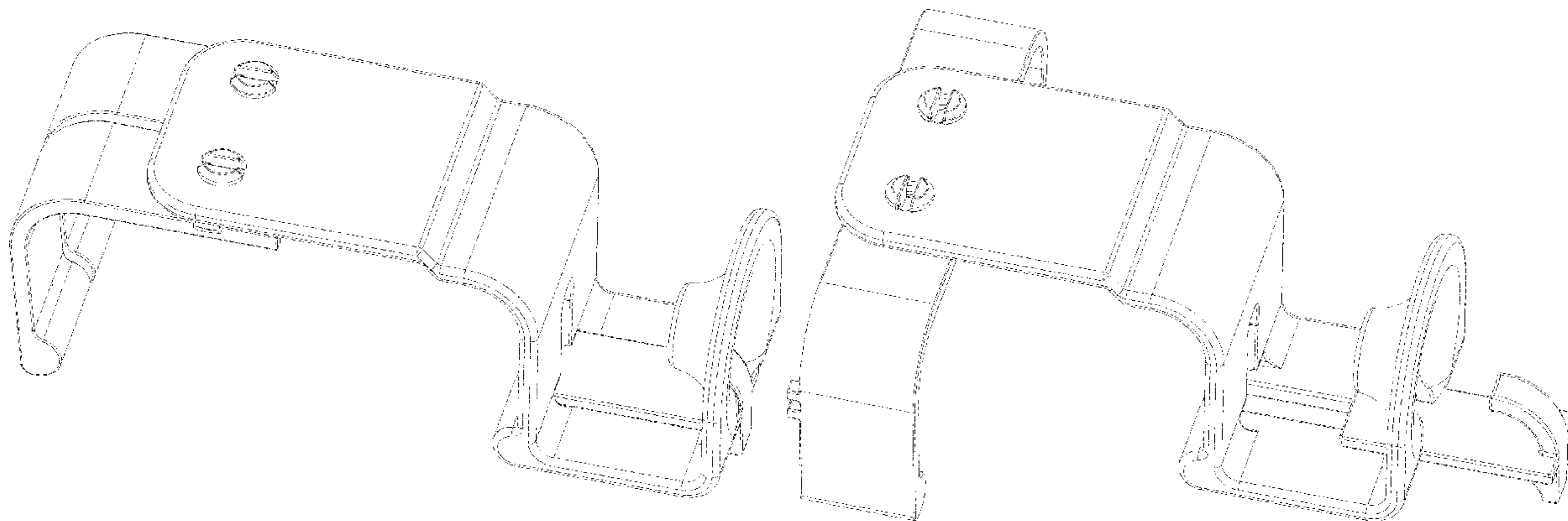
(57) **CLAIM**

I claim the ornamental design for a cord protector, as shown  
and described.

**DESCRIPTION**

FIG. 1 is a front view of my new design for a cord protector  
with arms in a first position;  
FIG. 2 is a left view thereof;  
FIG. 3 is a right view thereof;  
FIG. 4 is a rear view thereof;  
FIG. 5 is a top view thereof;  
FIG. 6 is a bottom view thereof;  
FIG. 7 is an isometric view thereof;  
FIG. 8 is a front view thereof with arms in a second position;  
FIG. 9 is a left view thereof with arms in the second position;  
FIG. 10 is a right view thereof with arms in the second  
position;  
FIG. 11 is a rear view thereof with arms in the second  
position;  
FIG. 12 is a top view thereof with arms in the second  
position;  
FIG. 13 is a bottom view thereof with arms in the second  
position; and,  
FIG. 14 is an isometric view thereof with arms in the second  
position.

**1 Claim, 14 Drawing Sheets**



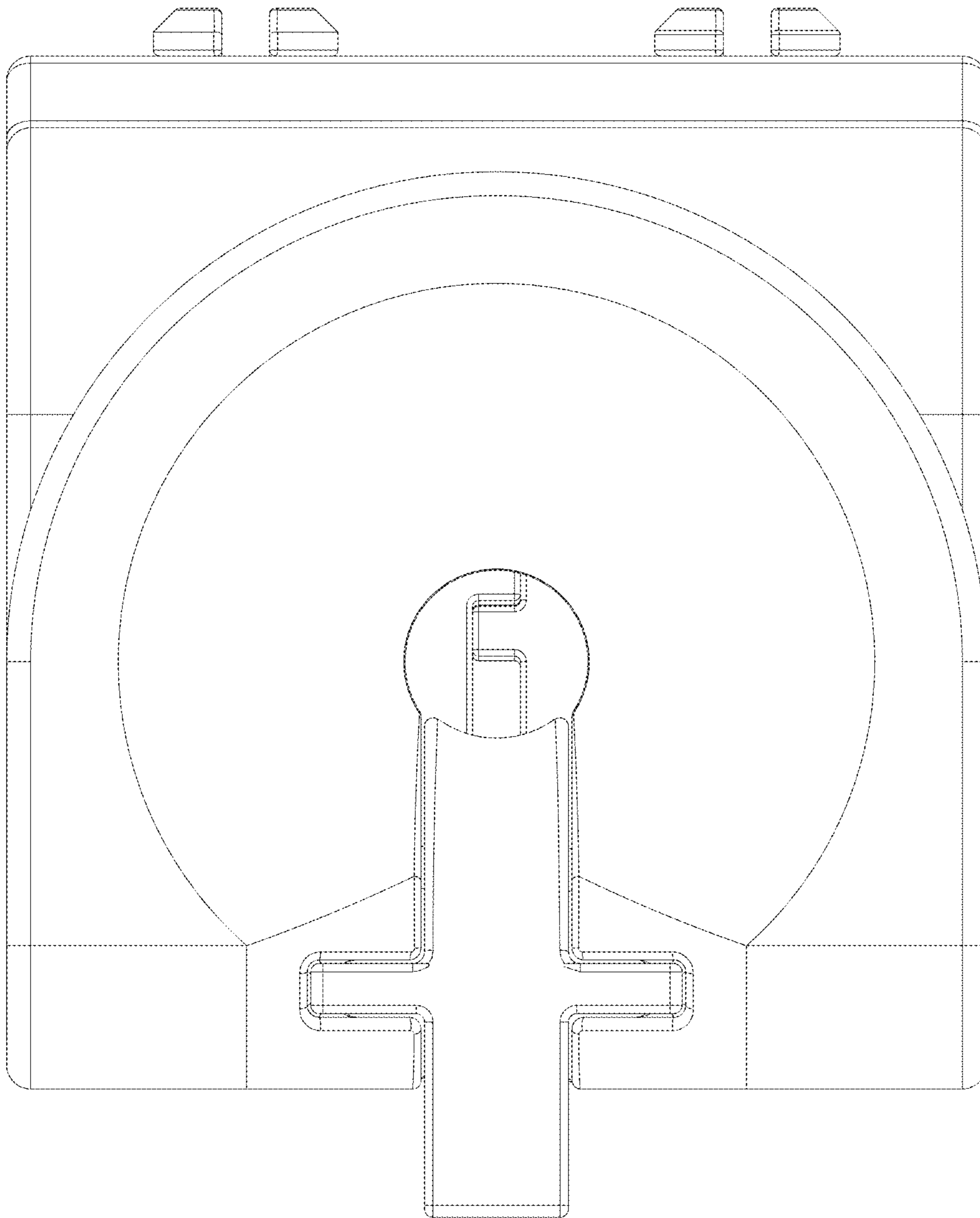


FIG. 1

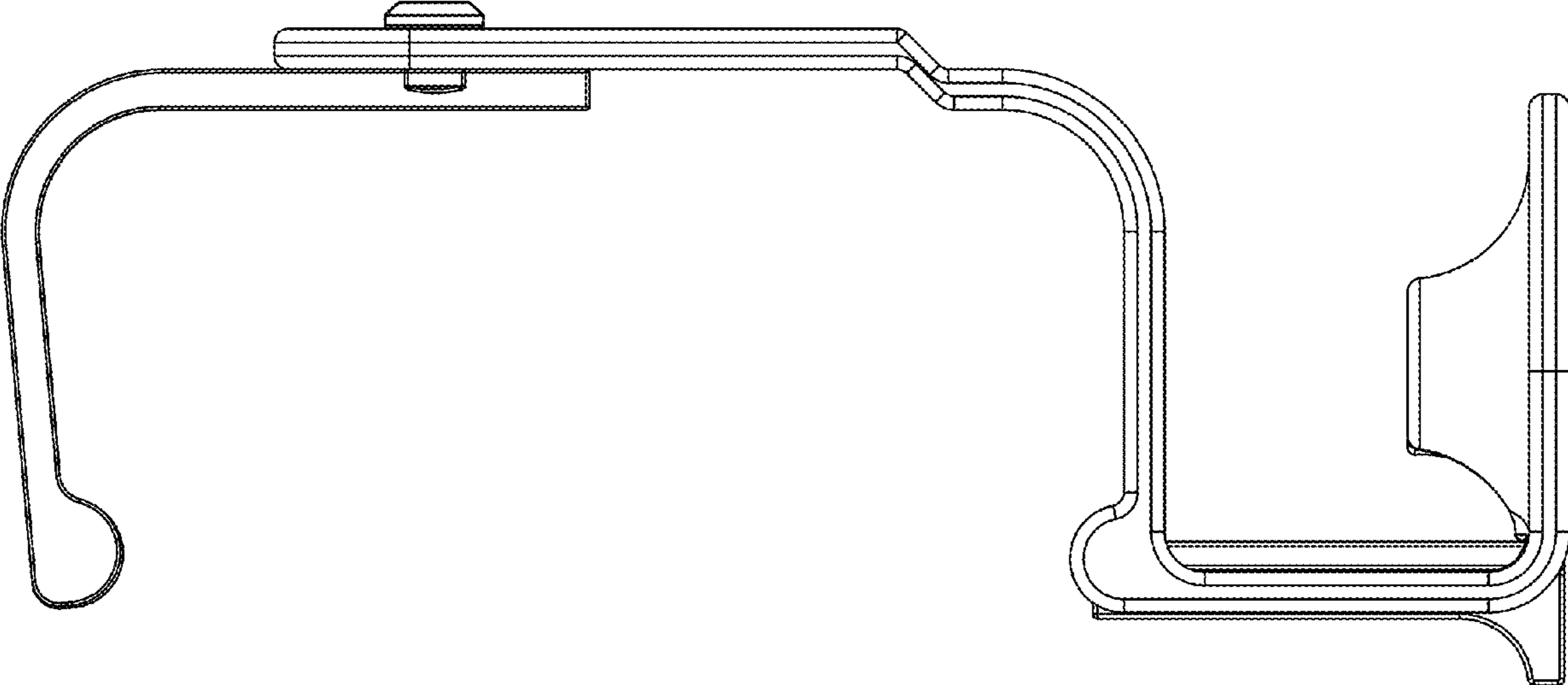


FIG. 2

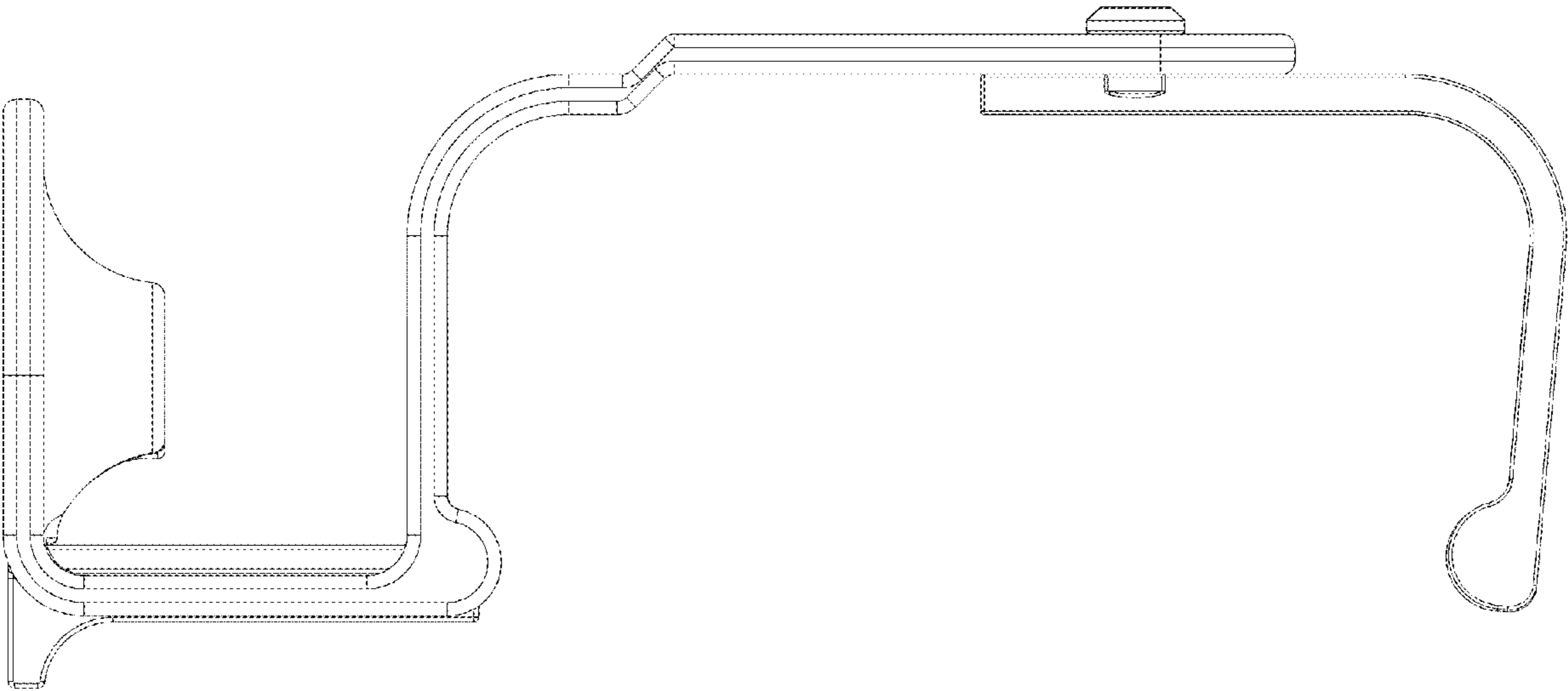


FIG. 3

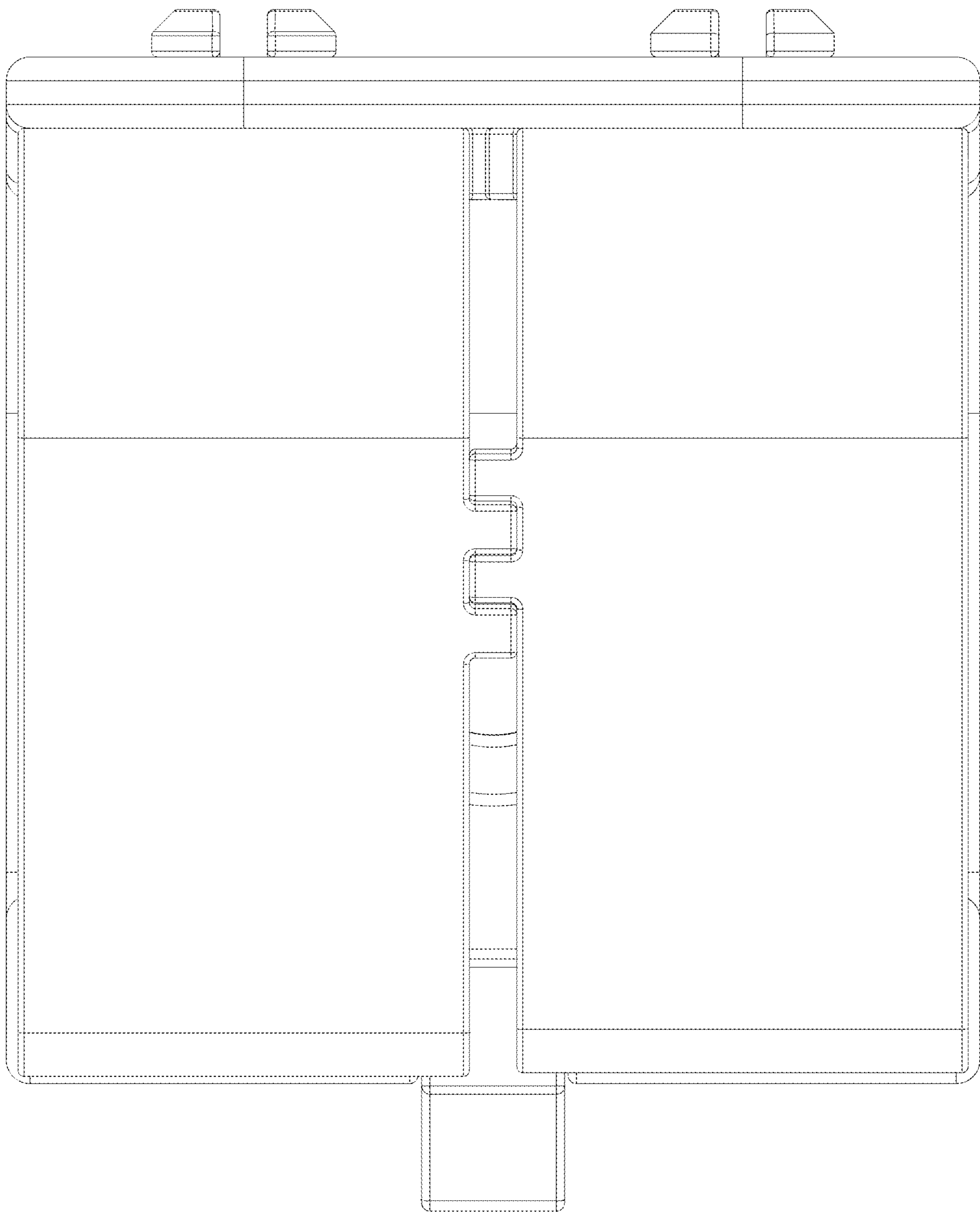


FIG. 4

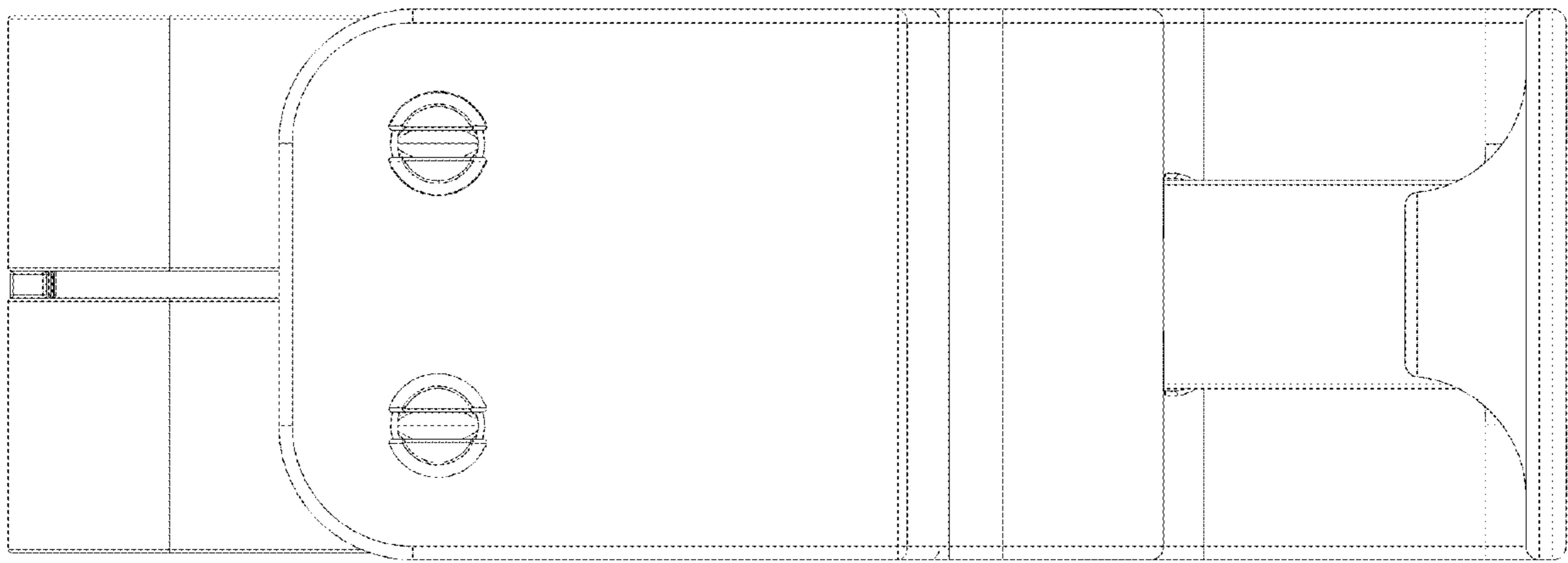


FIG. 5

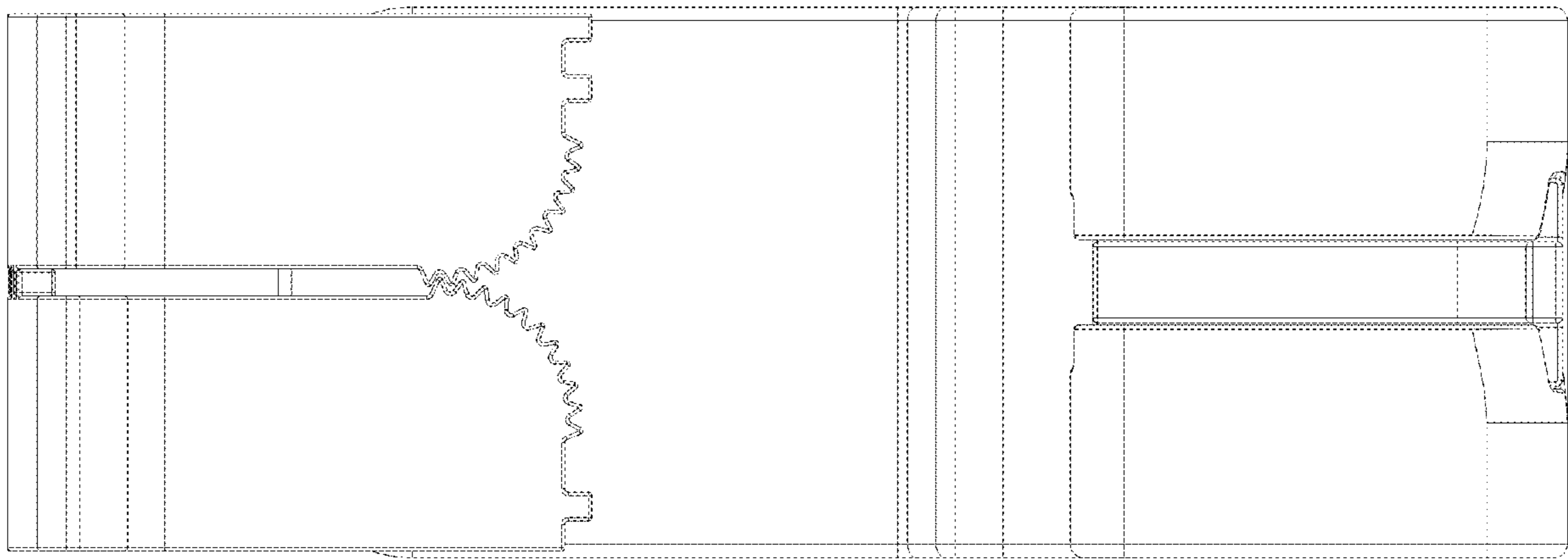


FIG. 6

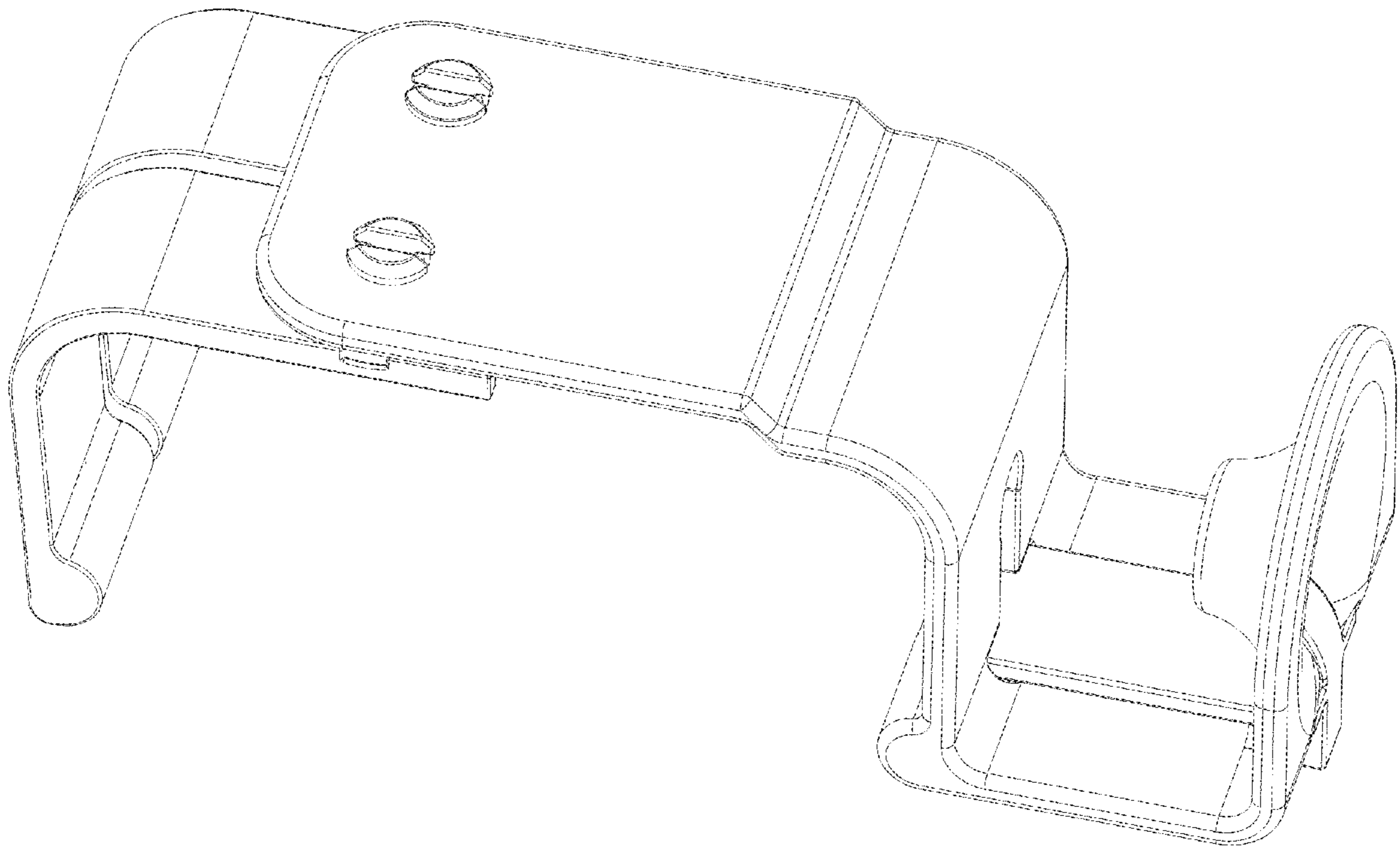


FIG. 7



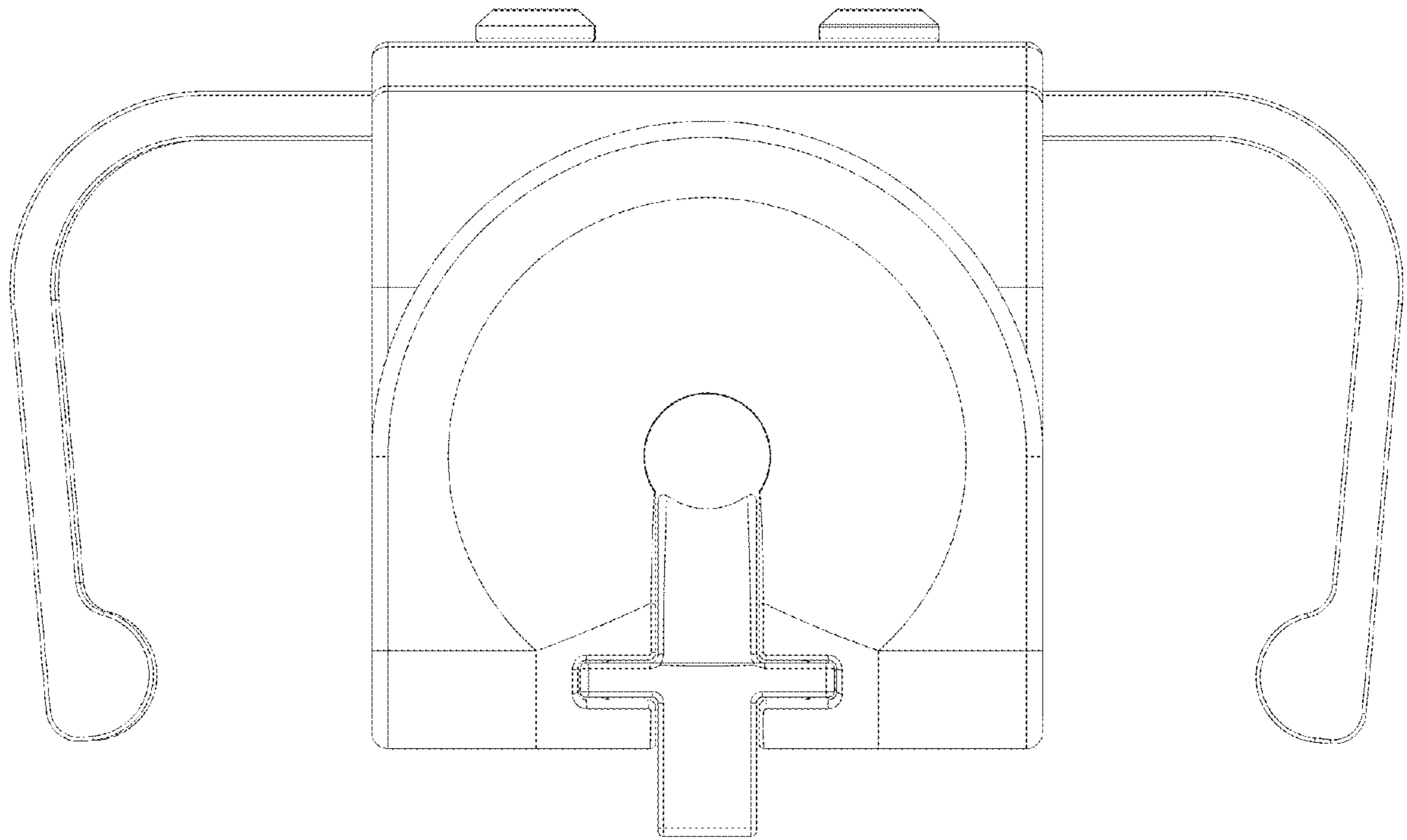


FIG.8

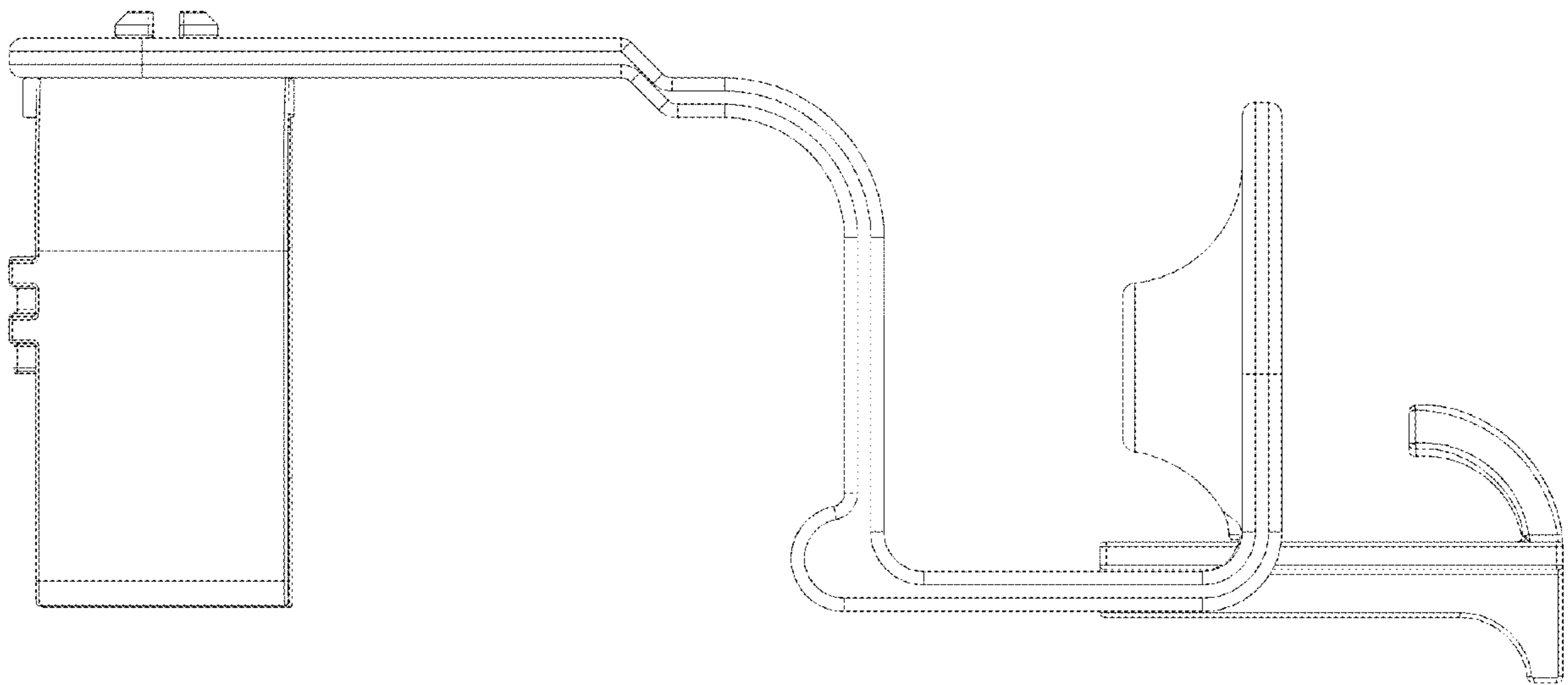


FIG.9

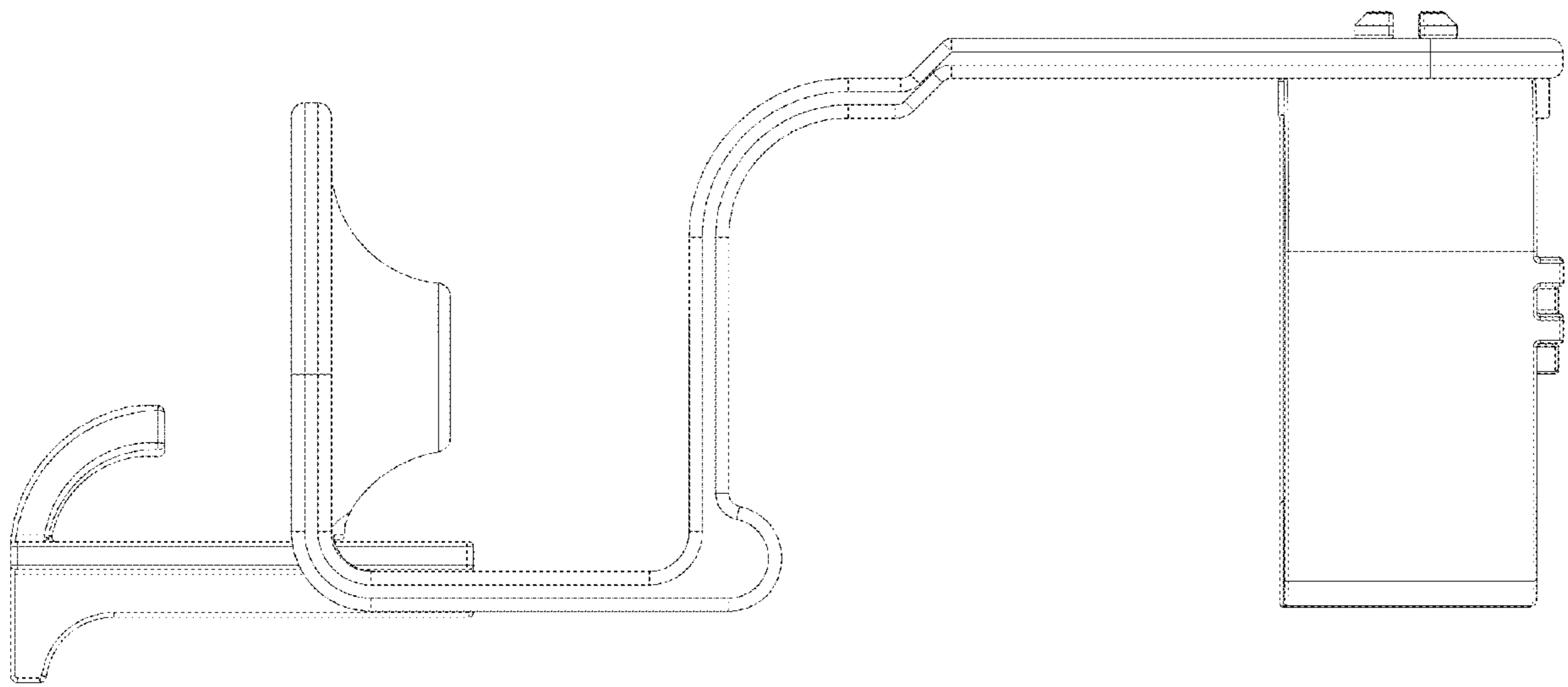


FIG.10

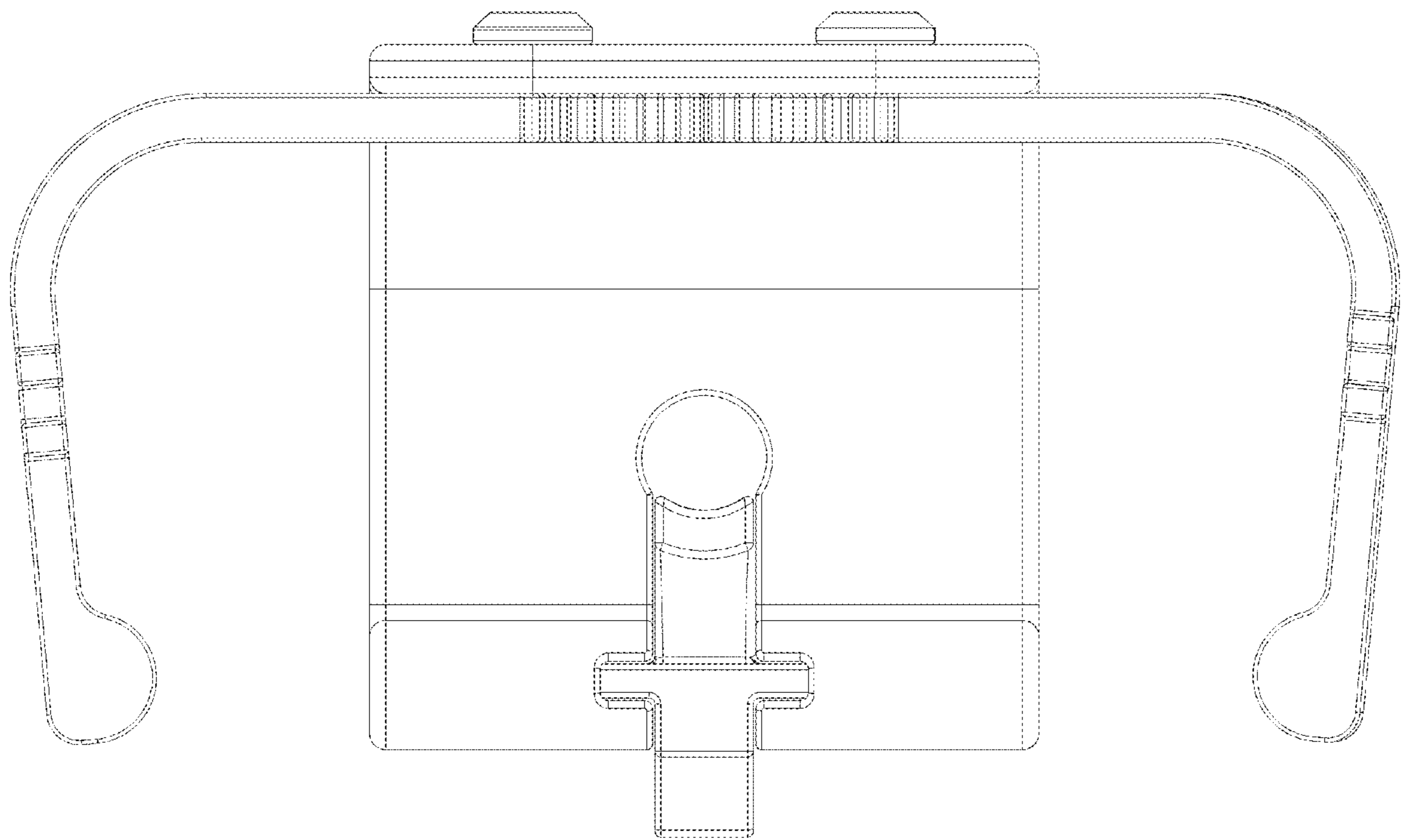


FIG. 11

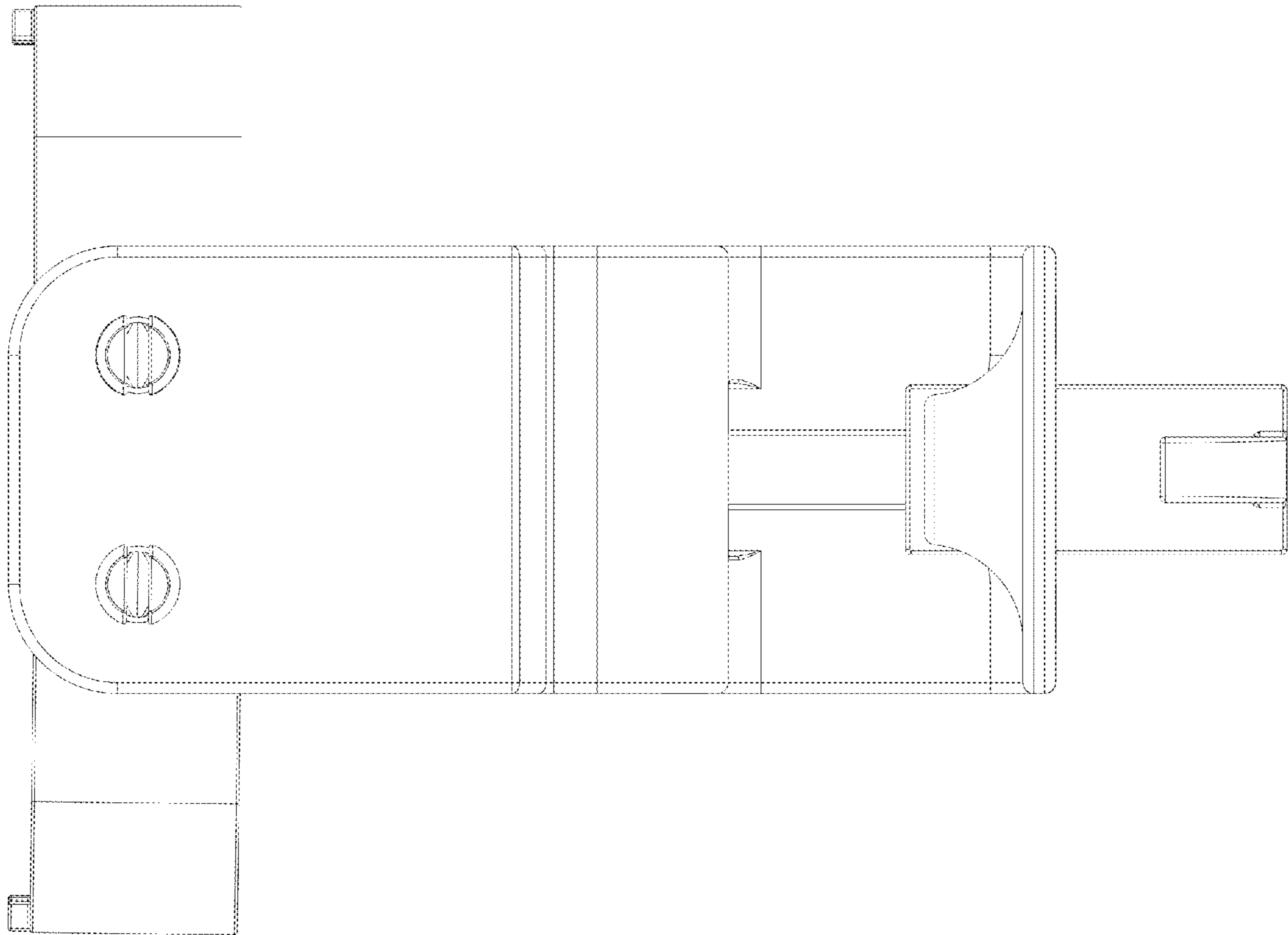


FIG.12

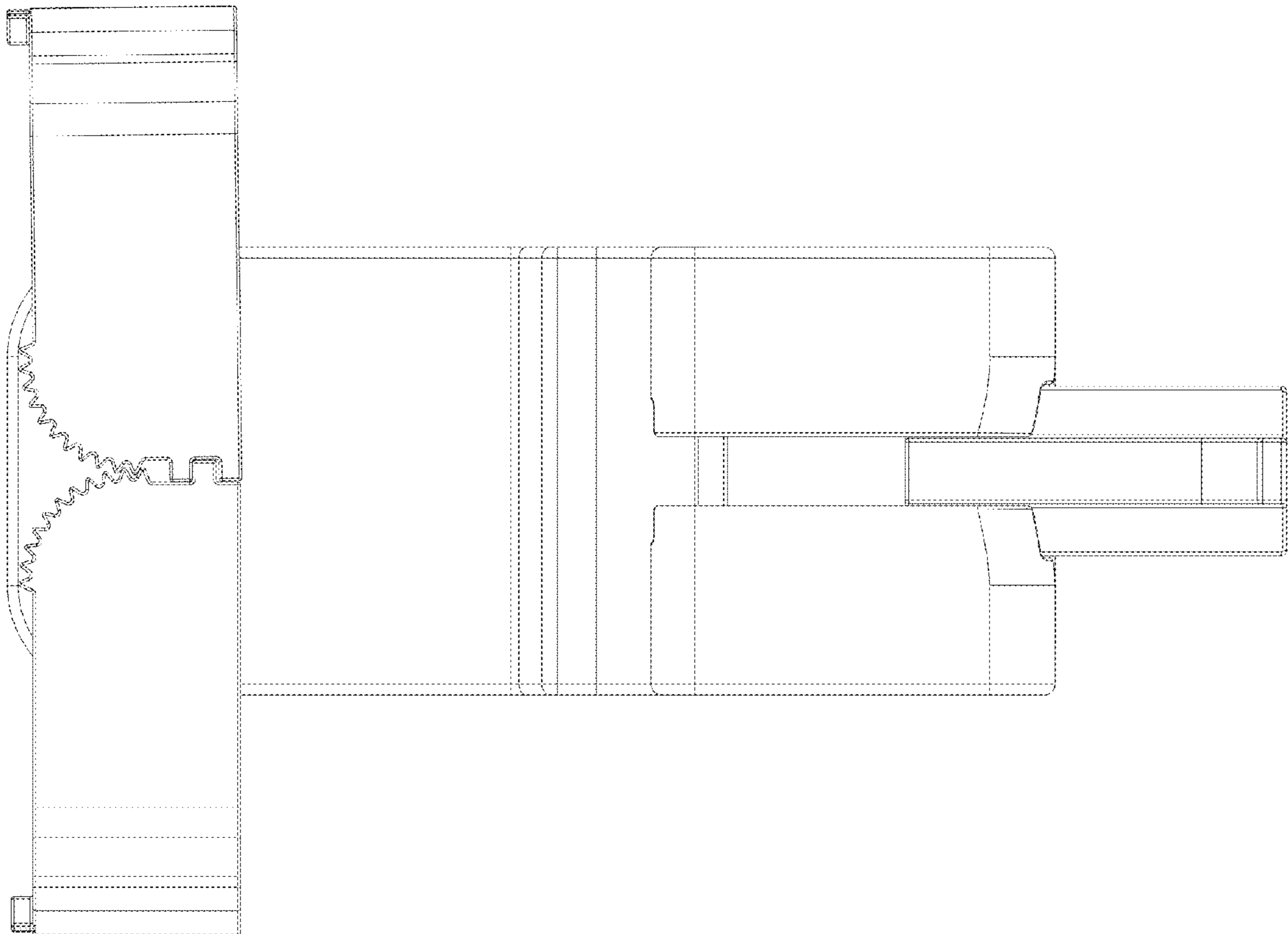


FIG.13

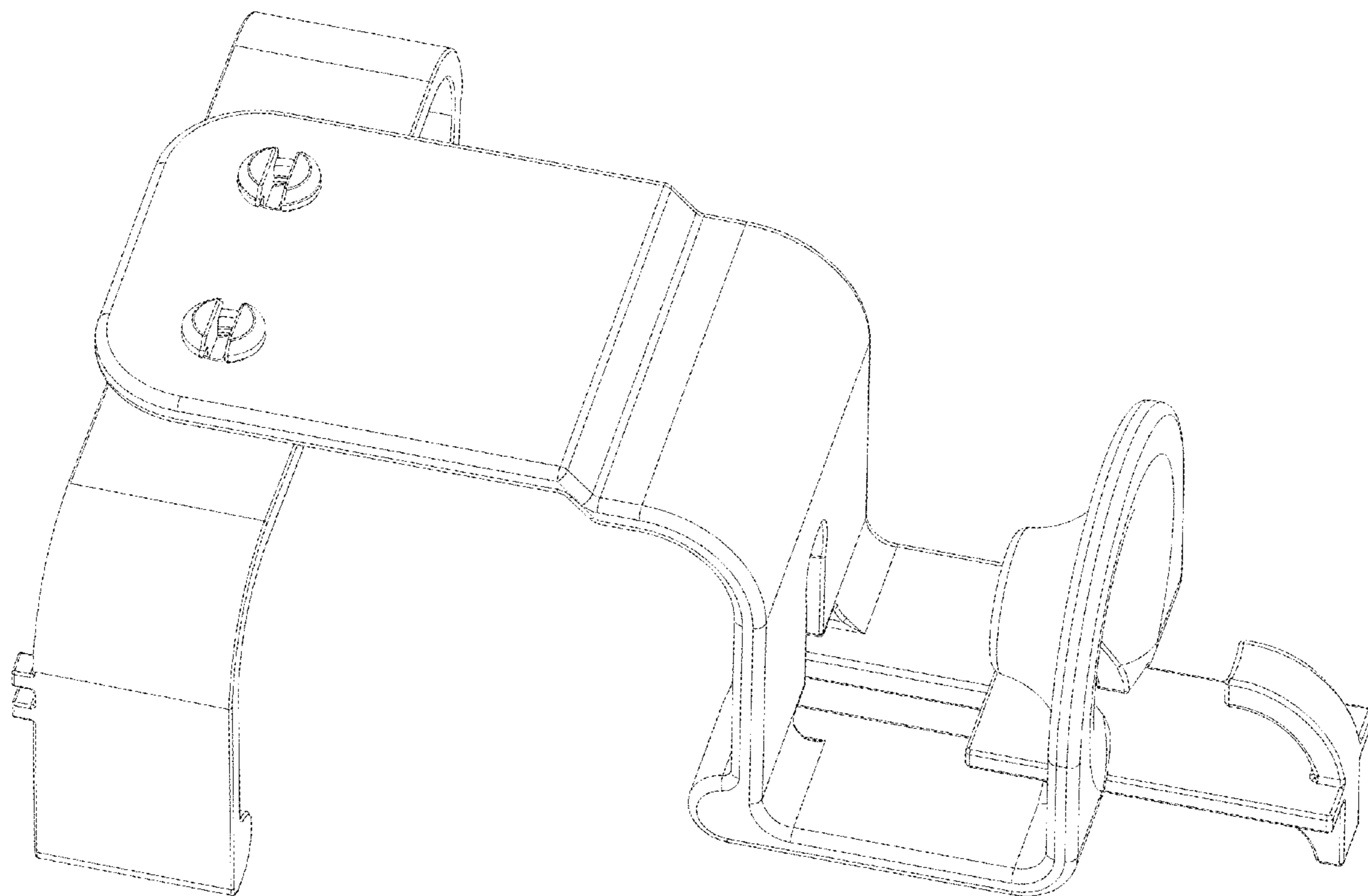


FIG.14