



US00D922331S

(12) **United States Design Patent**
Cohen

(10) **Patent No.:** **US D922,331 S**

(45) **Date of Patent:** **** Jun. 15, 2021**

(54) **JUNCTION LIGHT BOX**

(71) Applicant: **Brandon Cohen**, Vernon, CA (US)

(72) Inventor: **Brandon Cohen**, Vernon, CA (US)

(**) Term: **15 Years**

(21) Appl. No.: **29/754,418**

(22) Filed: **Oct. 9, 2020**

Related U.S. Application Data

(63) Continuation of application No. 29/737,642, filed on Jun. 10, 2020, now Pat. No. Des. 902,160.

(51) **LOC (13) Cl.** **13-03**

(52) **U.S. Cl.**
USPC **D13/152; D13/184**

(58) **Field of Classification Search**
USPC D13/184, 152, 155, 133, 156, 158;
D7/396.2; D23/261
CPC H02G 3/185; H02G 3/125; H02G 3/0625;
H02G 3/083; H02G 3/20; H02G 3/126;
H02G 3/12
See application file for complete search history.

(56) **References Cited**

U.S. PATENT DOCUMENTS

1,133,535 A	3/1915	Cain
1,471,340 A	10/1923	Knight
1,856,356 A	5/1932	Owen
2,352,913 A	7/1944	Parker
2,758,810 A	8/1956	Good
2,802,933 A	8/1957	Broadwin
3,104,087 A	9/1963	Budnick
3,773,968 A	11/1973	Copp
3,913,773 A	10/1975	Copp
4,880,128 A	11/1989	Jorgensen
4,919,292 A	4/1990	Hsu
5,303,894 A	4/1994	Deschamps
5,420,376 A	5/1995	Rajecki

5,957,573 A	9/1999	Wedekind
6,521,833 B1	2/2003	DeFreitas
6,967,284 B1	11/2005	Gretz
7,784,754 B2	8/2010	Meyers
7,857,275 B2	12/2010	de la Borbolla
7,950,832 B2	5/2011	Tanaka
8,235,549 B2	8/2012	Gingrich, III

(Continued)

Primary Examiner — Keli L Hill

Assistant Examiner — Harold E Blackwell, II

(74) *Attorney, Agent, or Firm* — Eric Kelly

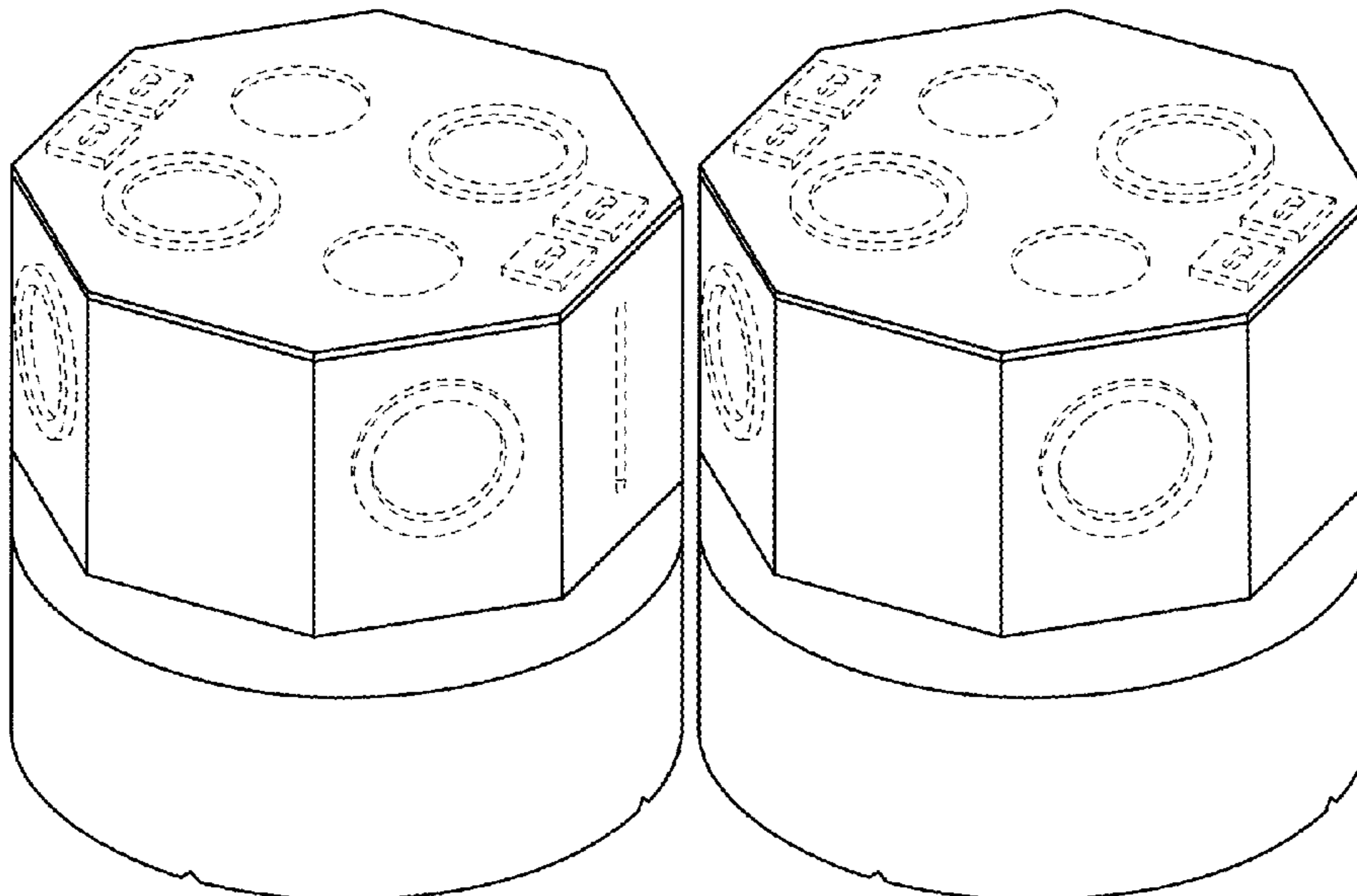
(57) **CLAIM**

What is claimed is an ornamental design for a junction light box, as shown and described.

DESCRIPTION

FIG. 1 is an upper front perspective view of a junction light box according to a first embodiment;
 FIG. 2 is a lower front perspective view thereof;
 FIG. 3 is a top view thereof;
 FIG. 4 is a bottom view thereof;
 FIG. 5 is a front view thereof;
 FIG. 6 is a rear view thereof;
 FIG. 7 is a right side view thereof;
 FIG. 8 is a left side view thereof;
 FIG. 9 is an upper front perspective view of a junction light box according to a second embodiment;
 FIG. 10 is a lower front perspective view of the second embodiment;
 FIG. 11 is a top view of the second embodiment;
 FIG. 12 is a bottom view of the second embodiment;
 FIG. 13 is a front view of the second embodiment;
 FIG. 14 is a rear view of the second embodiment;
 FIG. 15 is a right side view of the second embodiment; and,
 FIG. 16 is a left side view of the second embodiment.
 The broken lines in the figures depict portions of the junction light box that form no part of the claimed design.

1 Claim, 4 Drawing Sheets



(56)

References Cited

U.S. PATENT DOCUMENTS

D677,634	S *	3/2013	Korcz	D13/152
8,926,133	B2	1/2015	Booth	
9,065,264	B2 *	6/2015	Cooper	H02G 3/20
9,151,457	B2	10/2015	Pickard	
9,605,842	B1	3/2017	Davis	
9,696,021	B2	7/2017	Wronski	
9,797,562	B2	10/2017	Dabiet	
9,964,266	B2	5/2018	Danesh	
D832,218	S	10/2018	Wronski	
D833,977	S	11/2018	Danesh	
10,139,059	B2	11/2018	Danesh	
D848,375	S	5/2019	Danesh	
10,295,163	B1 *	5/2019	Cohen	H02G 3/20
D851,046	S	6/2019	Peng	
10,408,396	B2	9/2019	Wronski	
D864,877	S	10/2019	Danesh	
10,563,850	B2	2/2020	Danesh	
D892,069	S *	8/2020	Cohen	D13/184
D901,398	S *	11/2020	Danesh	D13/152
D902,160	S *	11/2020	Cohen	D13/152
D902,871	S *	11/2020	Danesh	D13/152
D903,605	S *	12/2020	Danesh	D13/152
10,876,721	B1 *	12/2020	Cohen	H02G 3/125
2003/0006353	A1 *	1/2003	Dinh	B60N 2/073 248/343
2015/0233556	A1	8/2015	Danesh	
2016/0348861	A1	12/2016	Bailey	
2017/0138576	A1	5/2017	Peng	
2017/0167672	A1	6/2017	Stauner	
2017/0167699	A1	6/2017	Schubert	
2019/0063701	A1	2/2019	Lotfi	
2020/0182420	A1 *	6/2020	Cohen	H02G 3/20

* cited by examiner

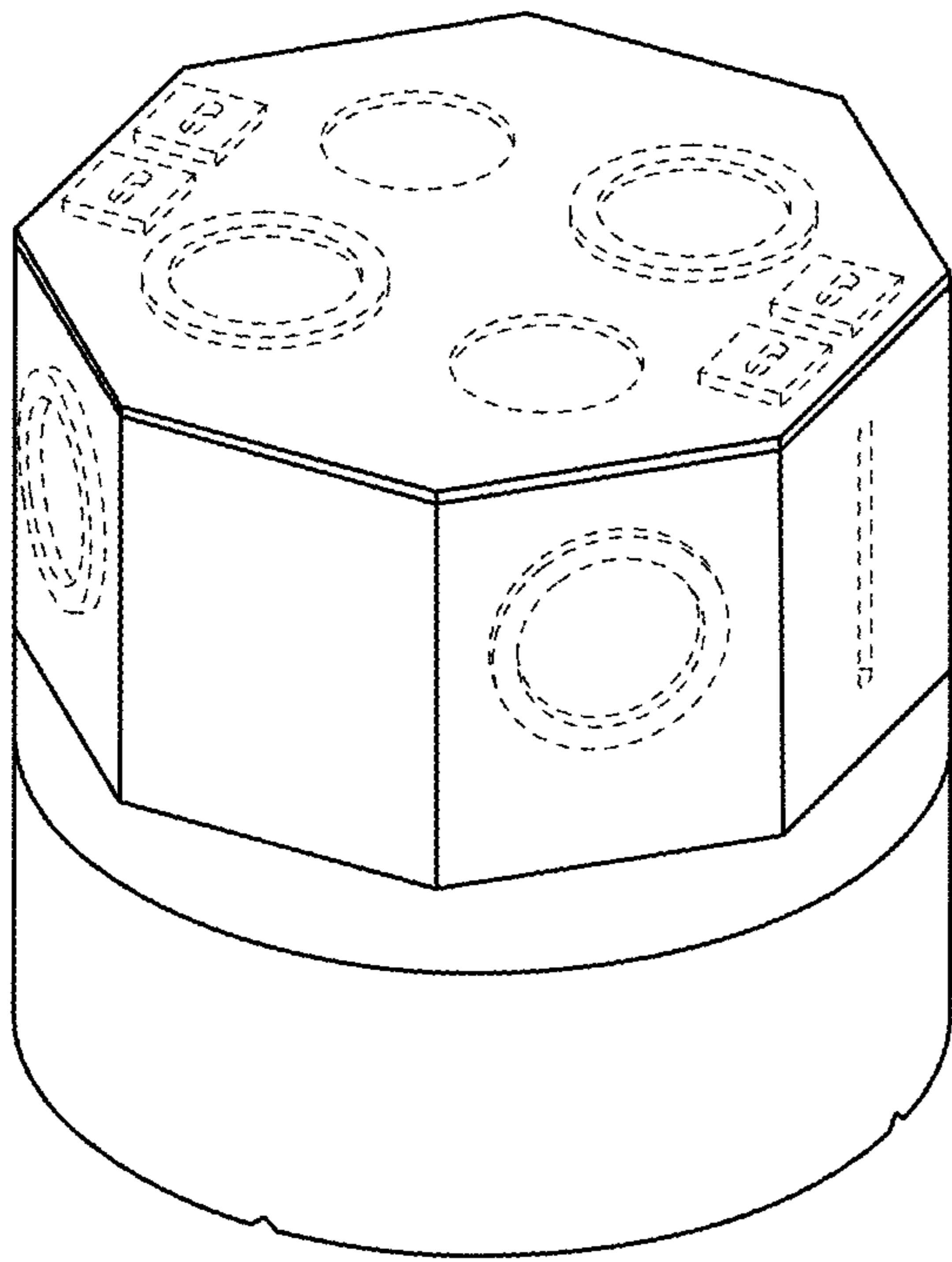


FIG. 1

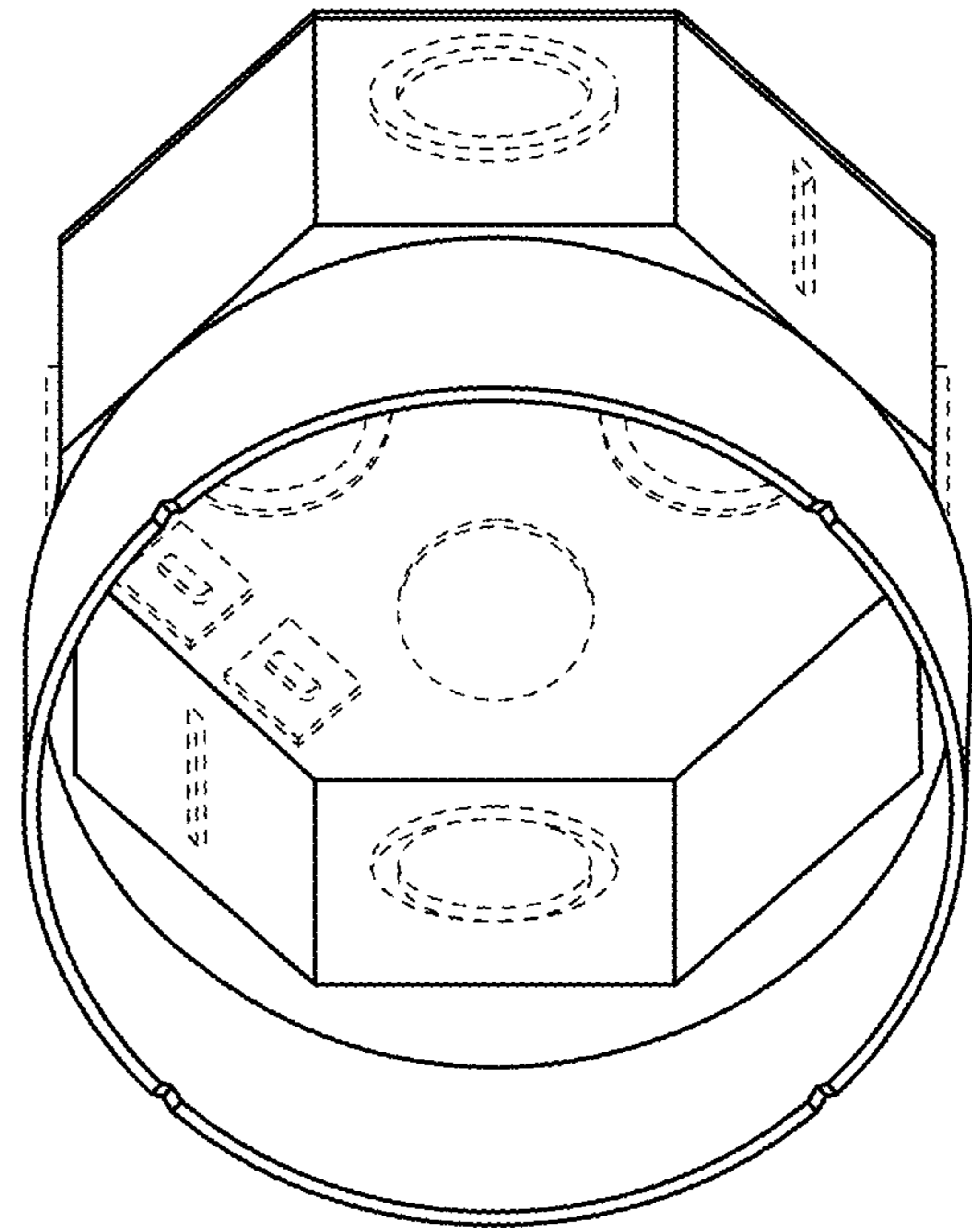


FIG. 2

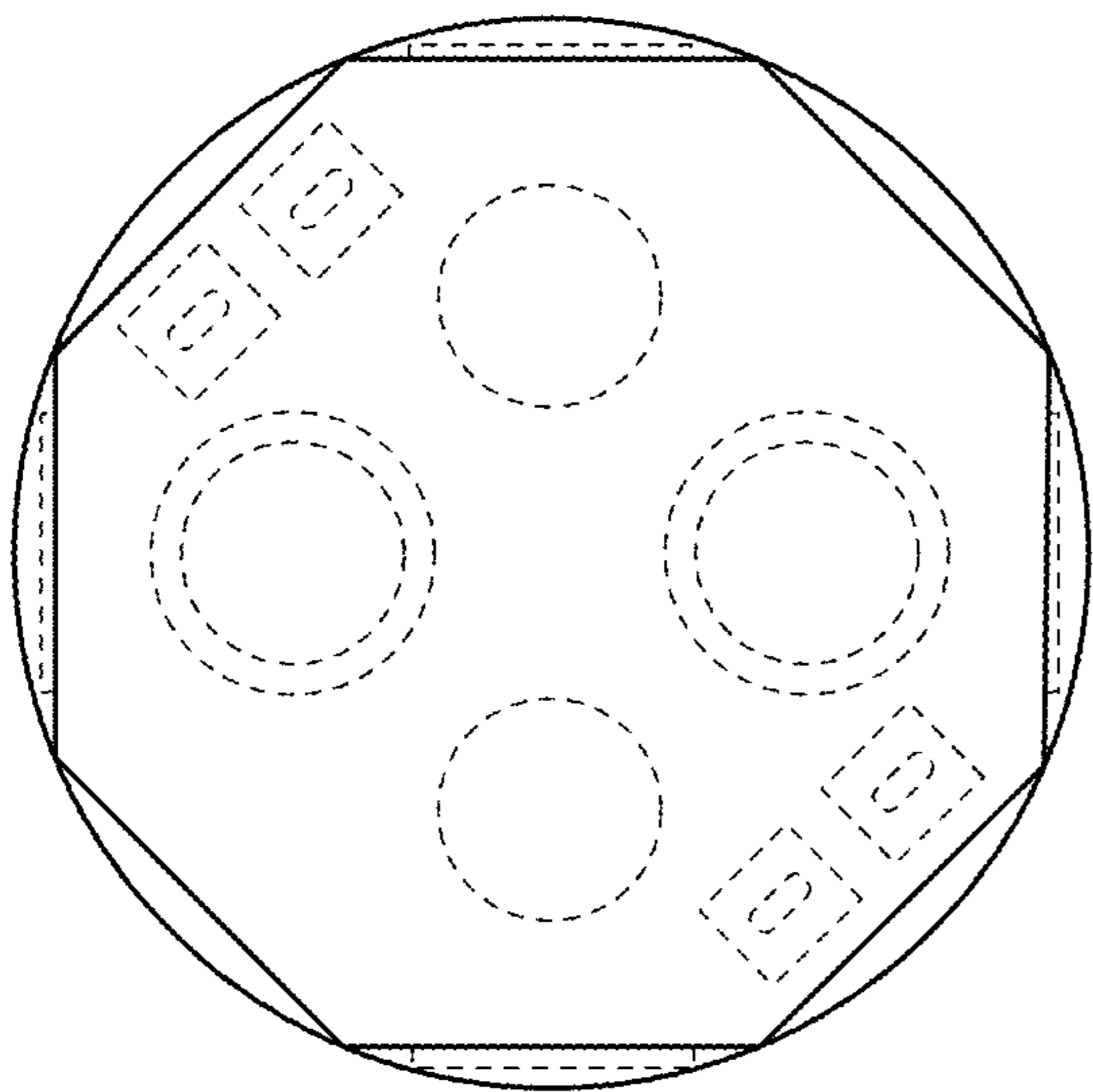


FIG. 3

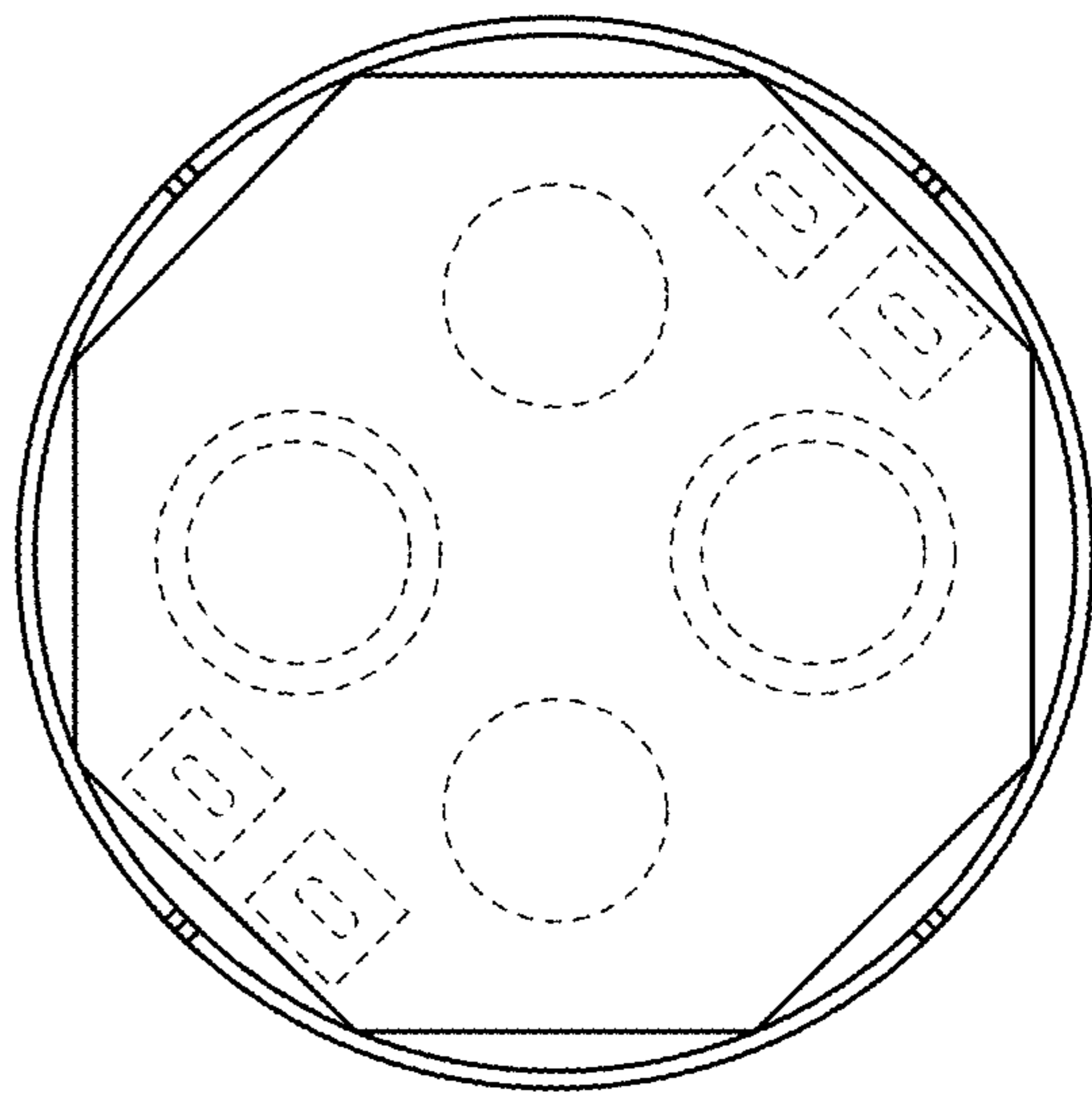


FIG. 4

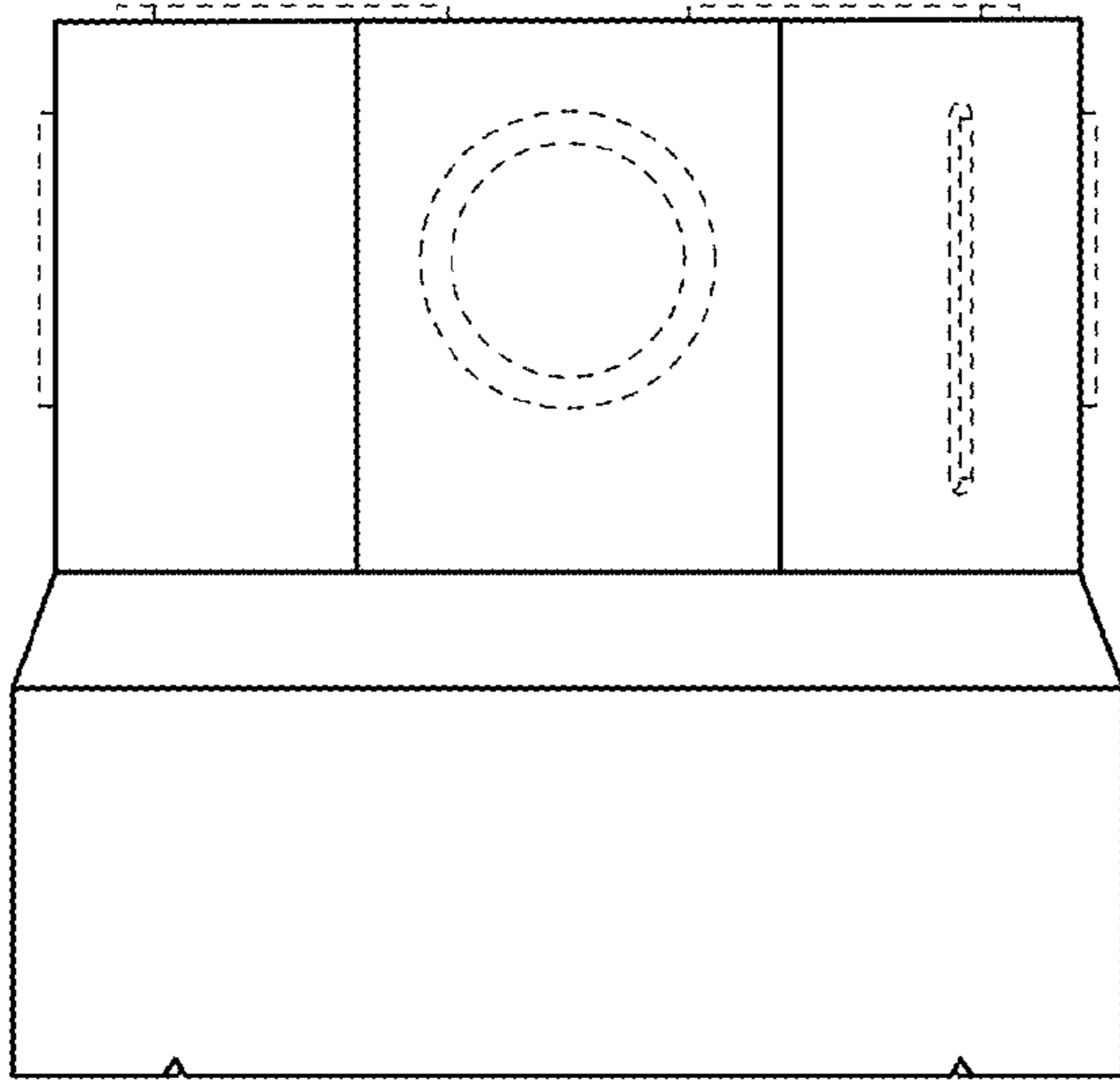


FIG. 5

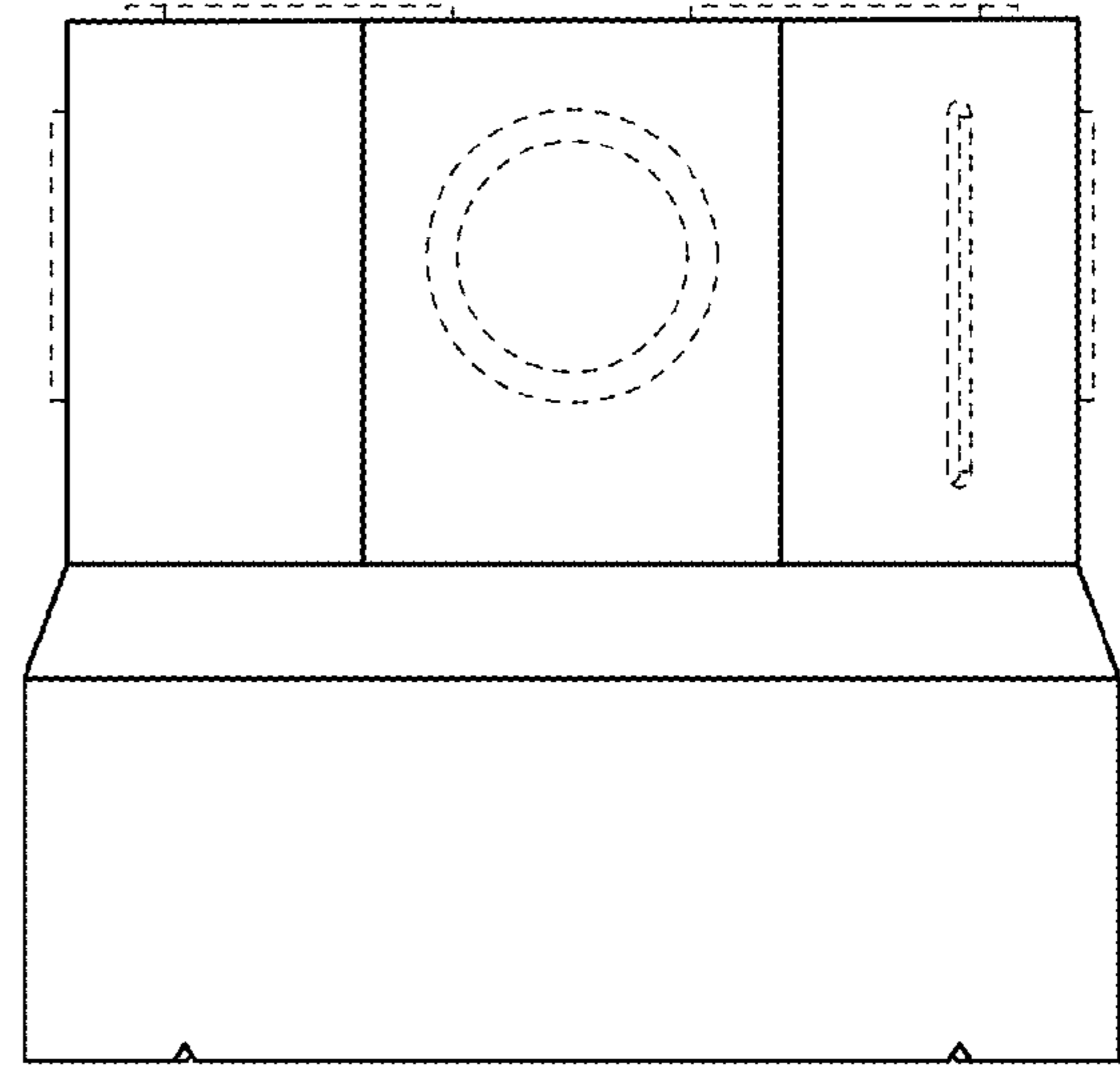


FIG. 6

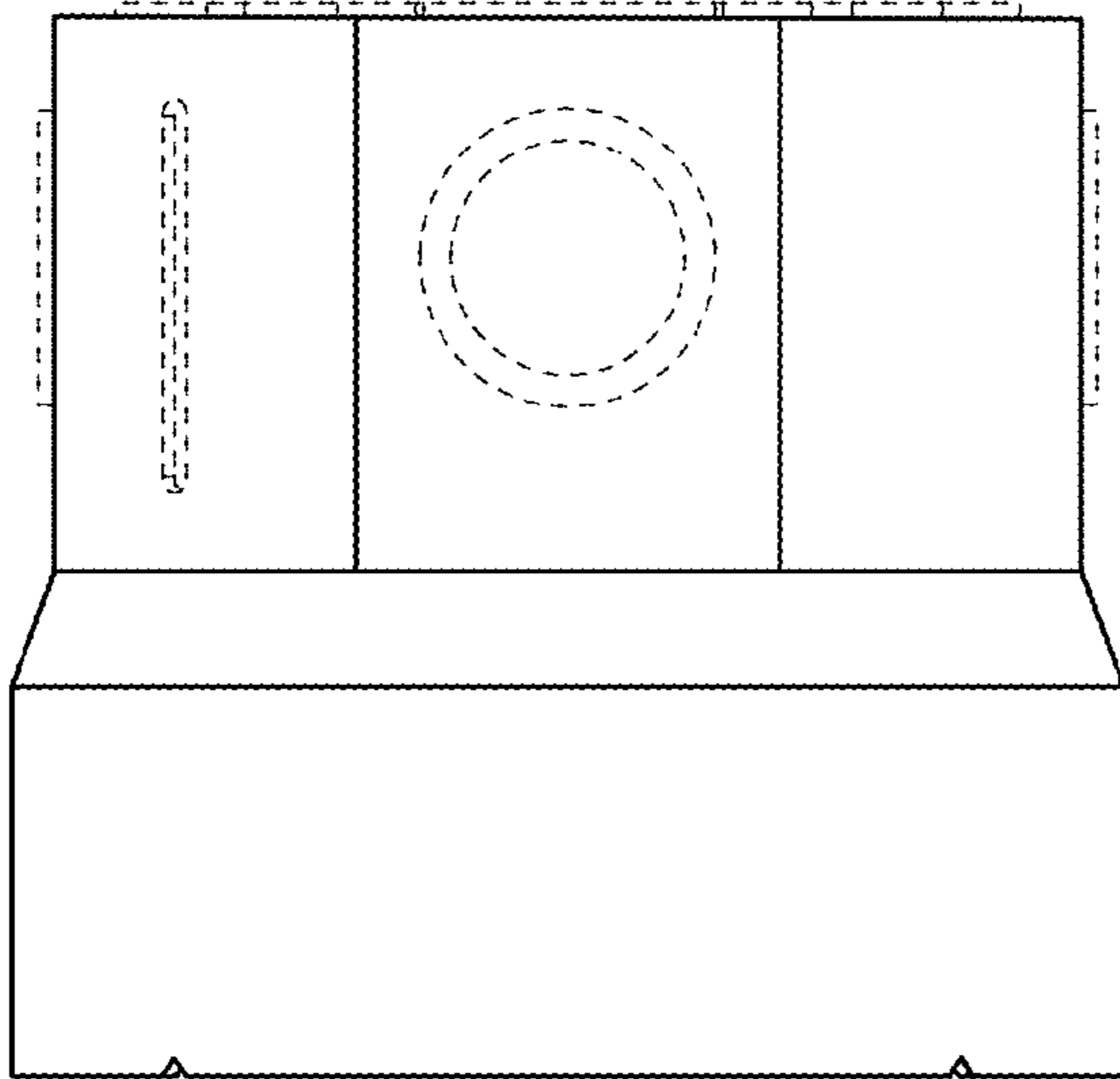


FIG. 7

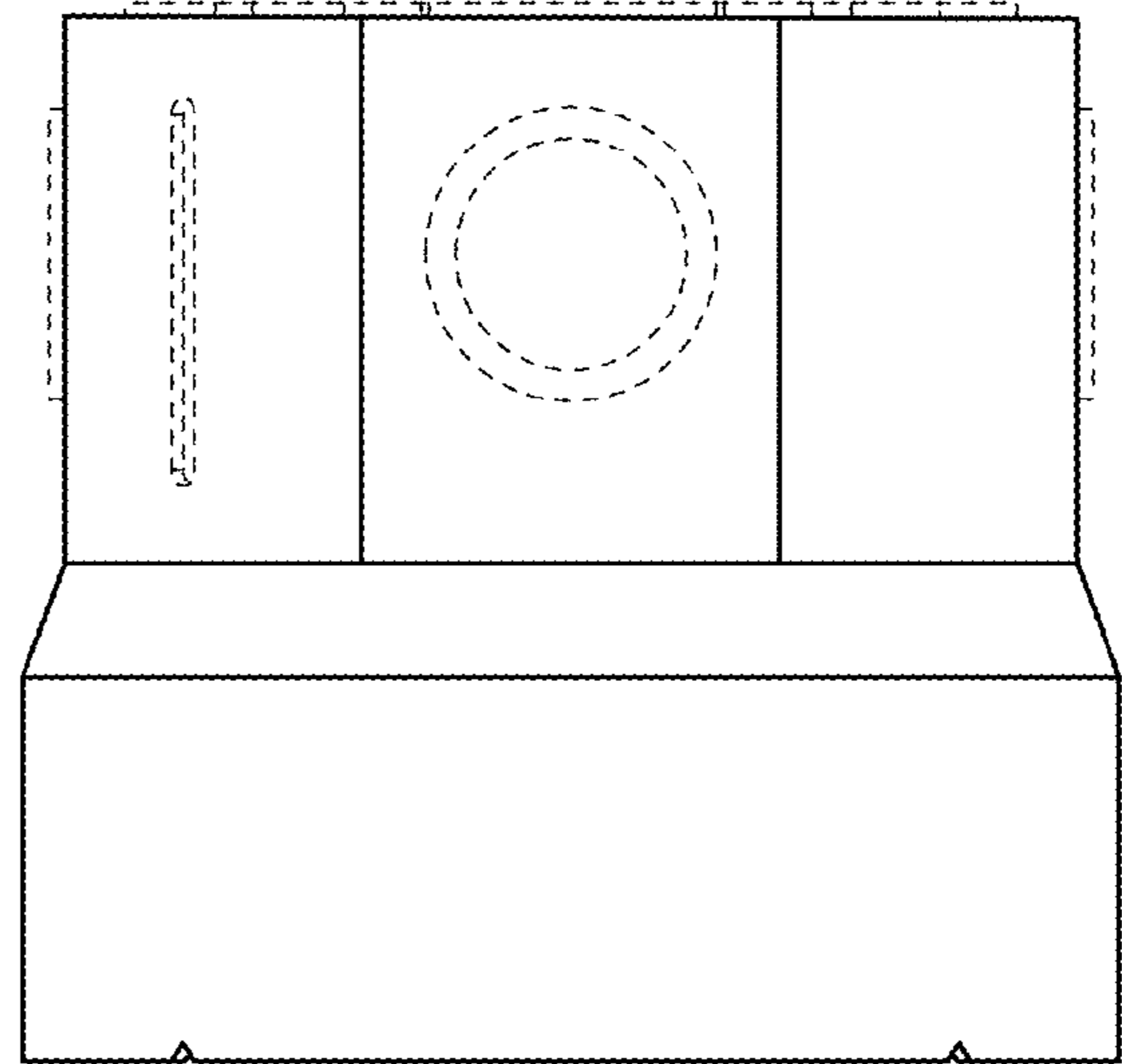


FIG. 8

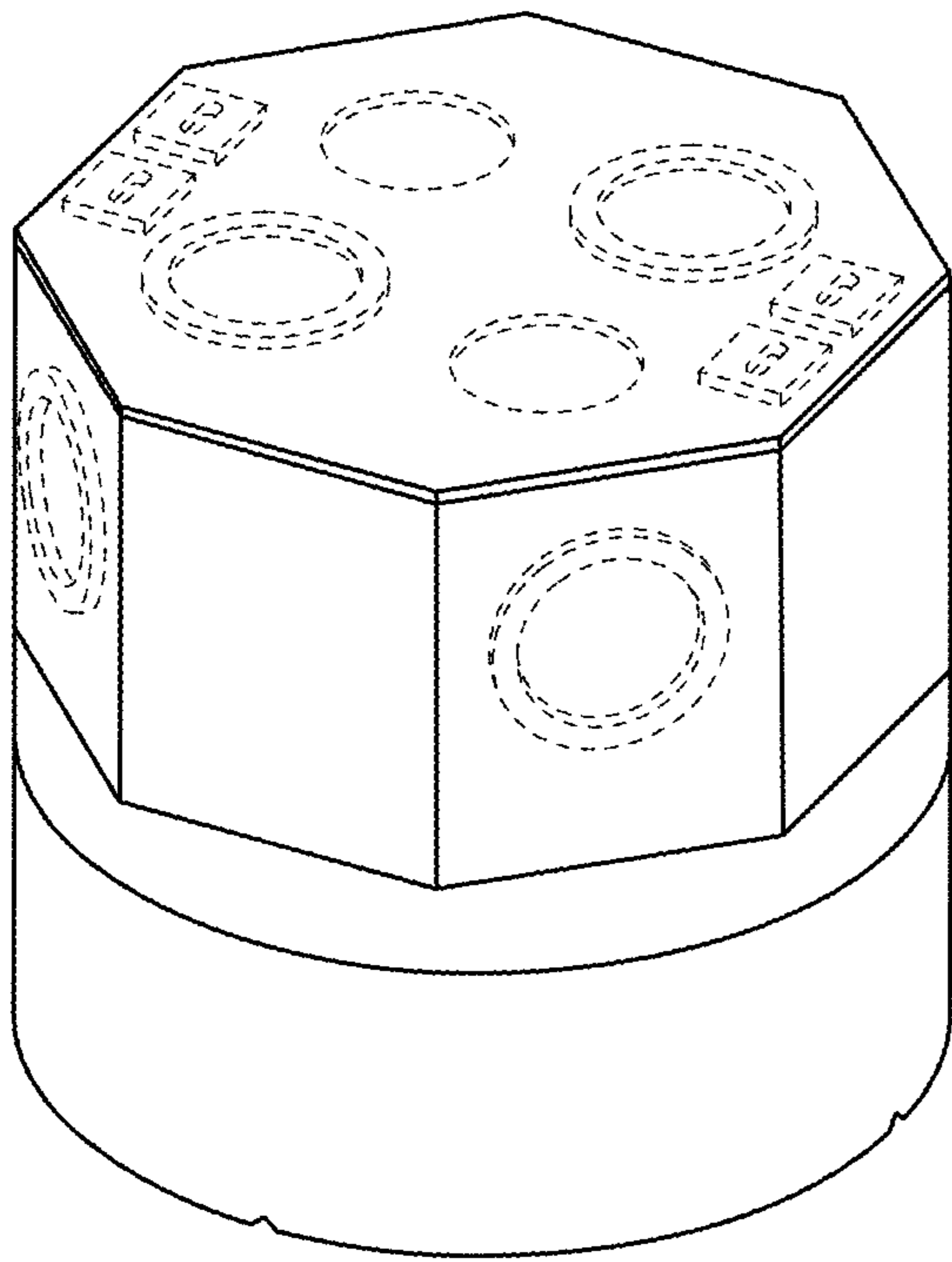


FIG. 9

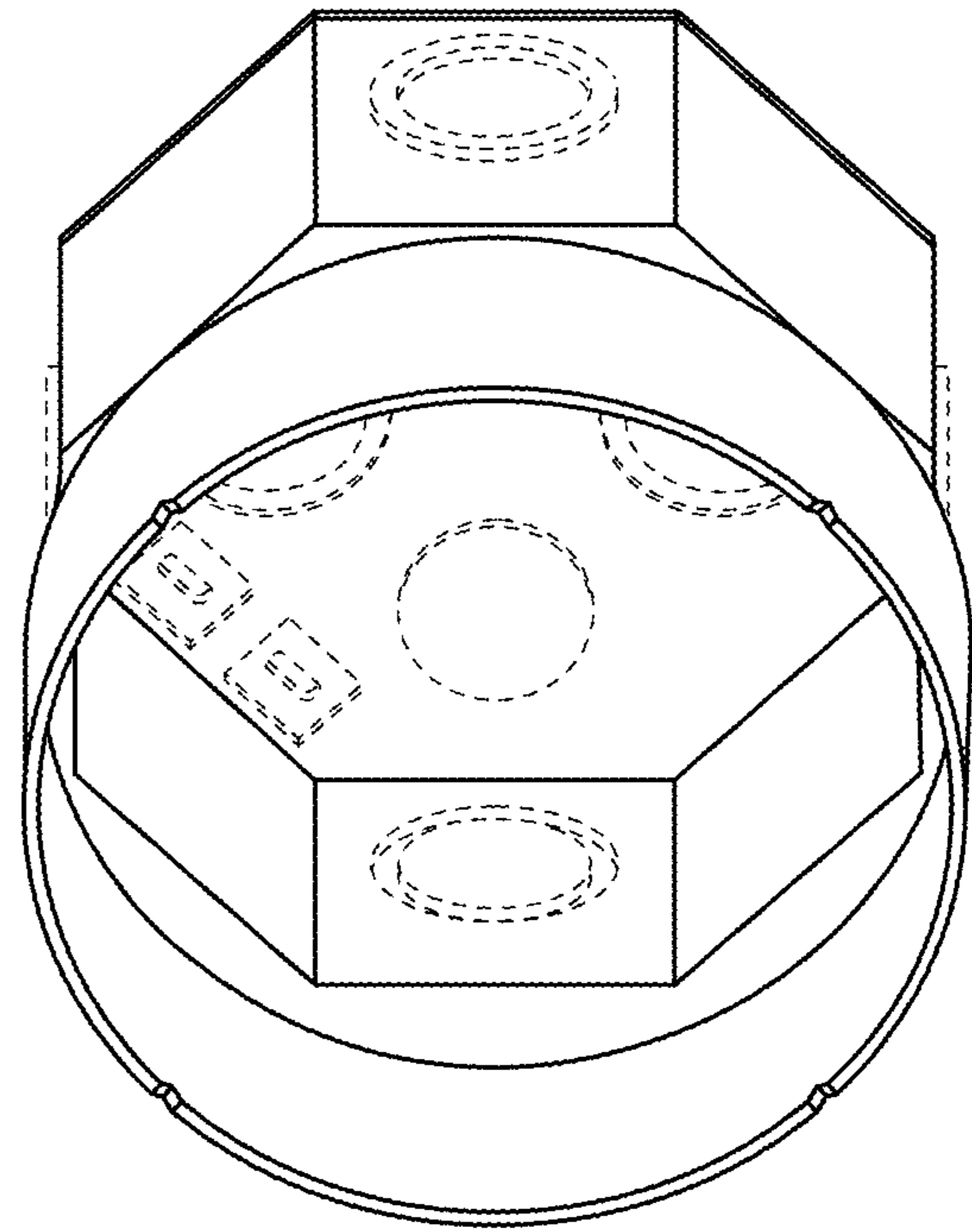


FIG. 10

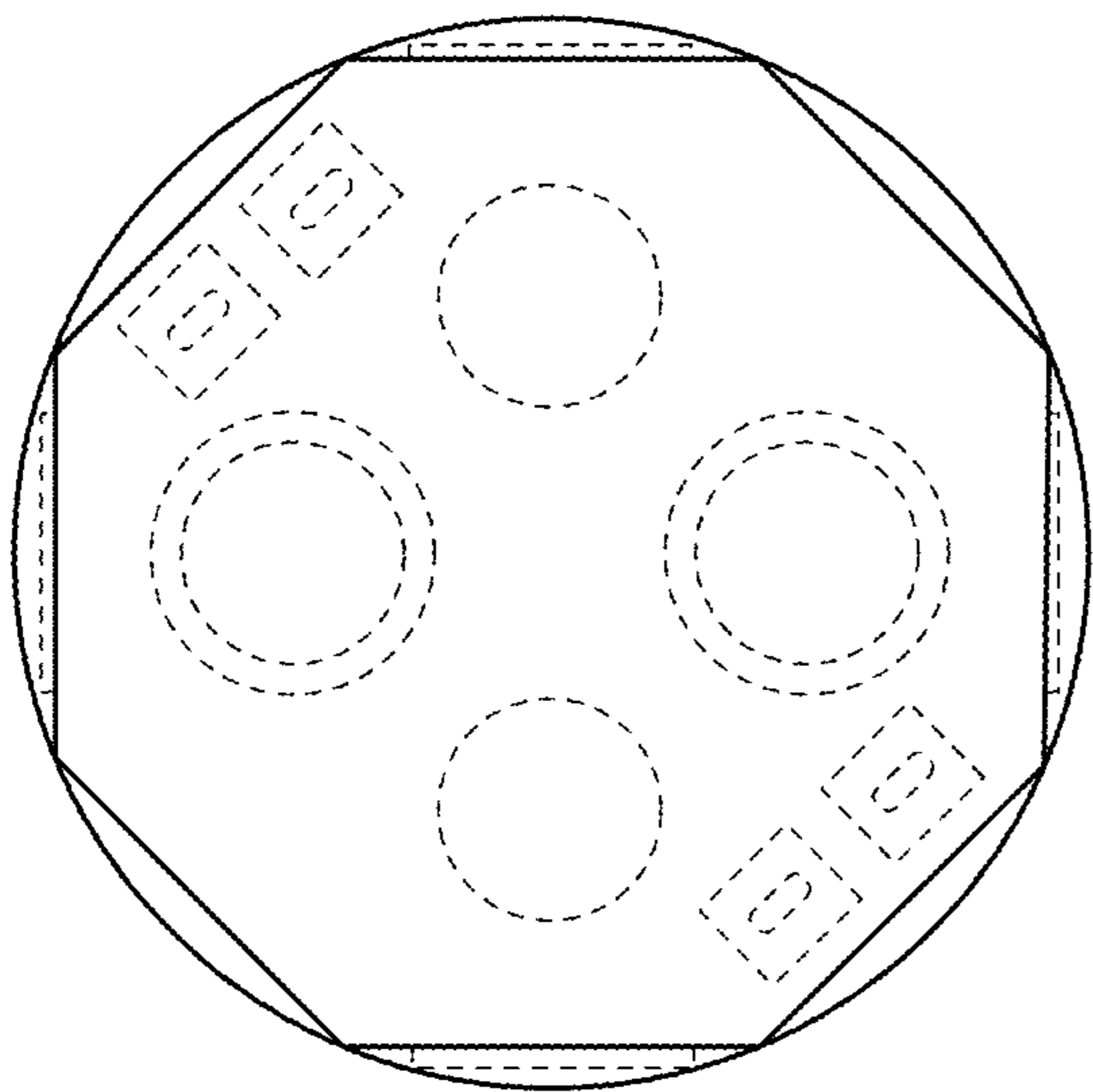


FIG. 11

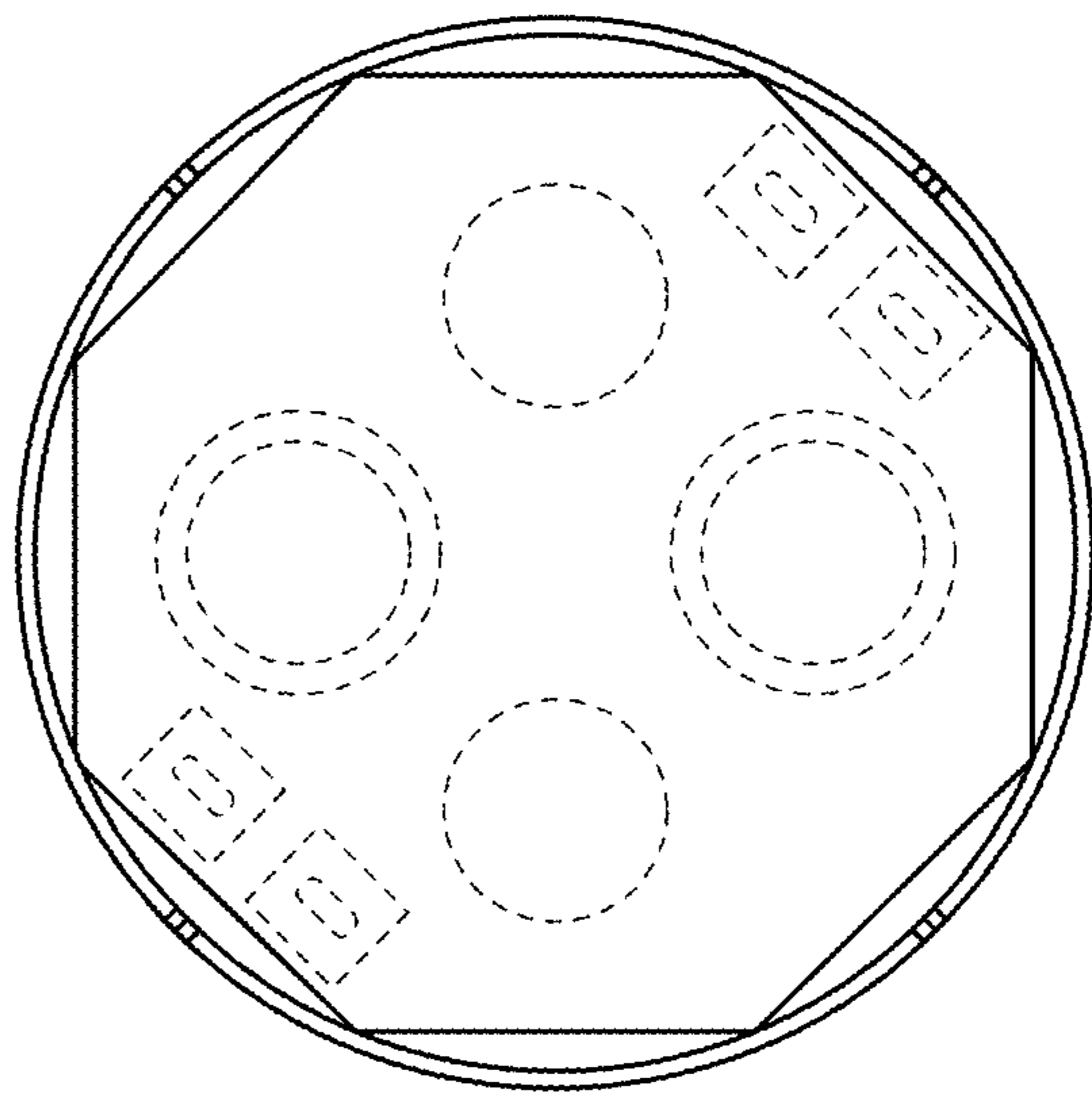


FIG. 12

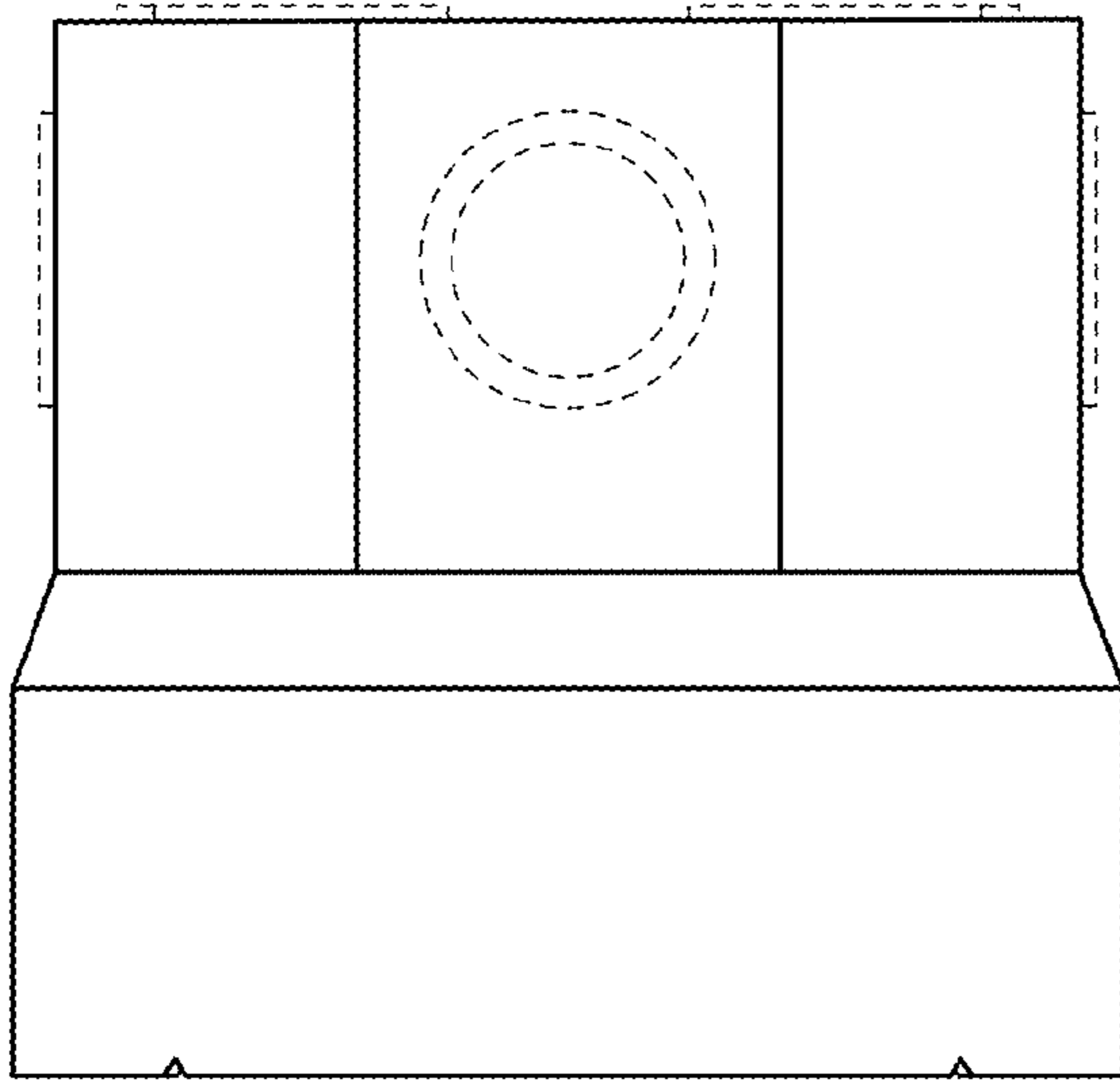


FIG. 13

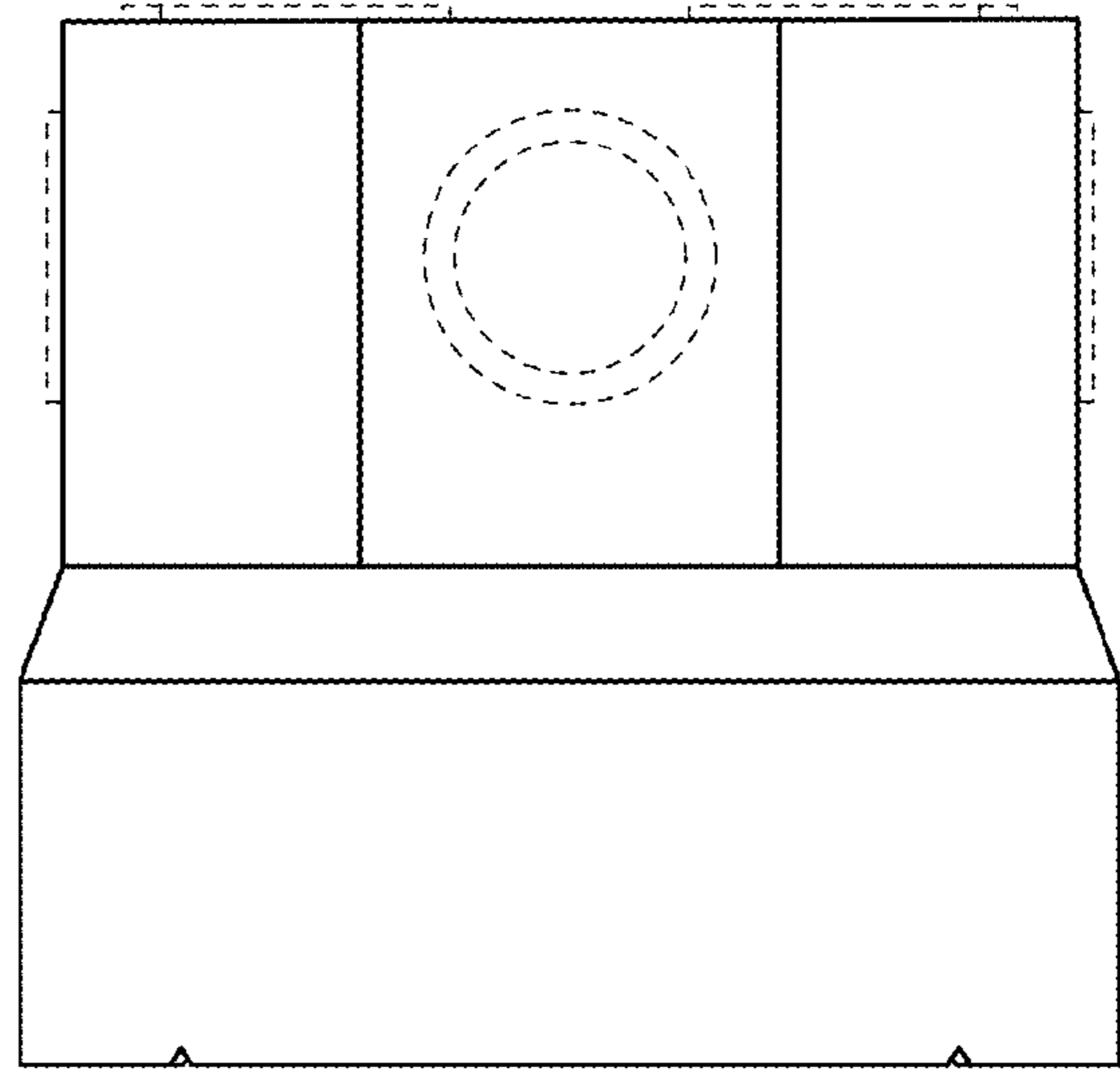


FIG. 14

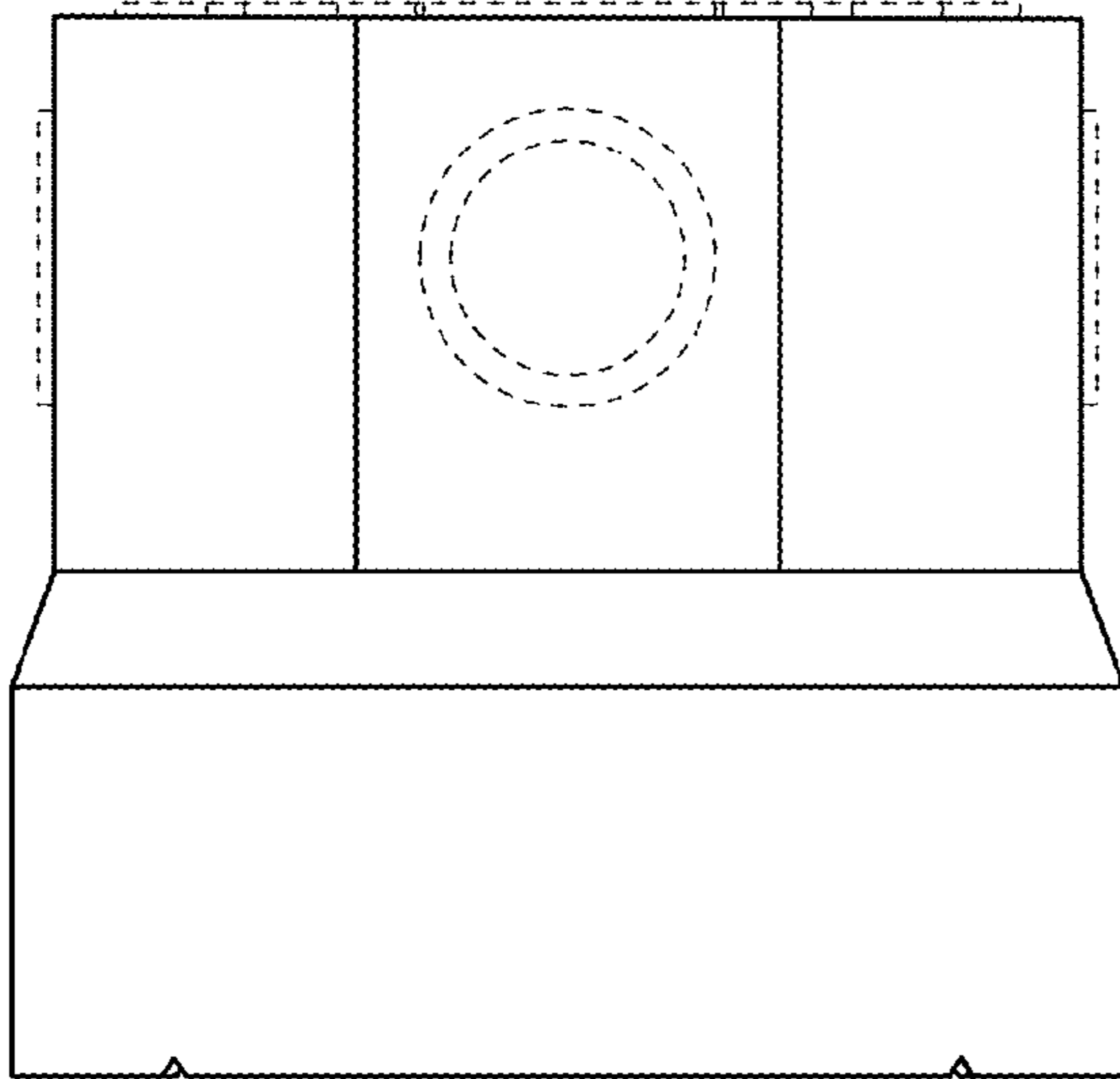


FIG. 15

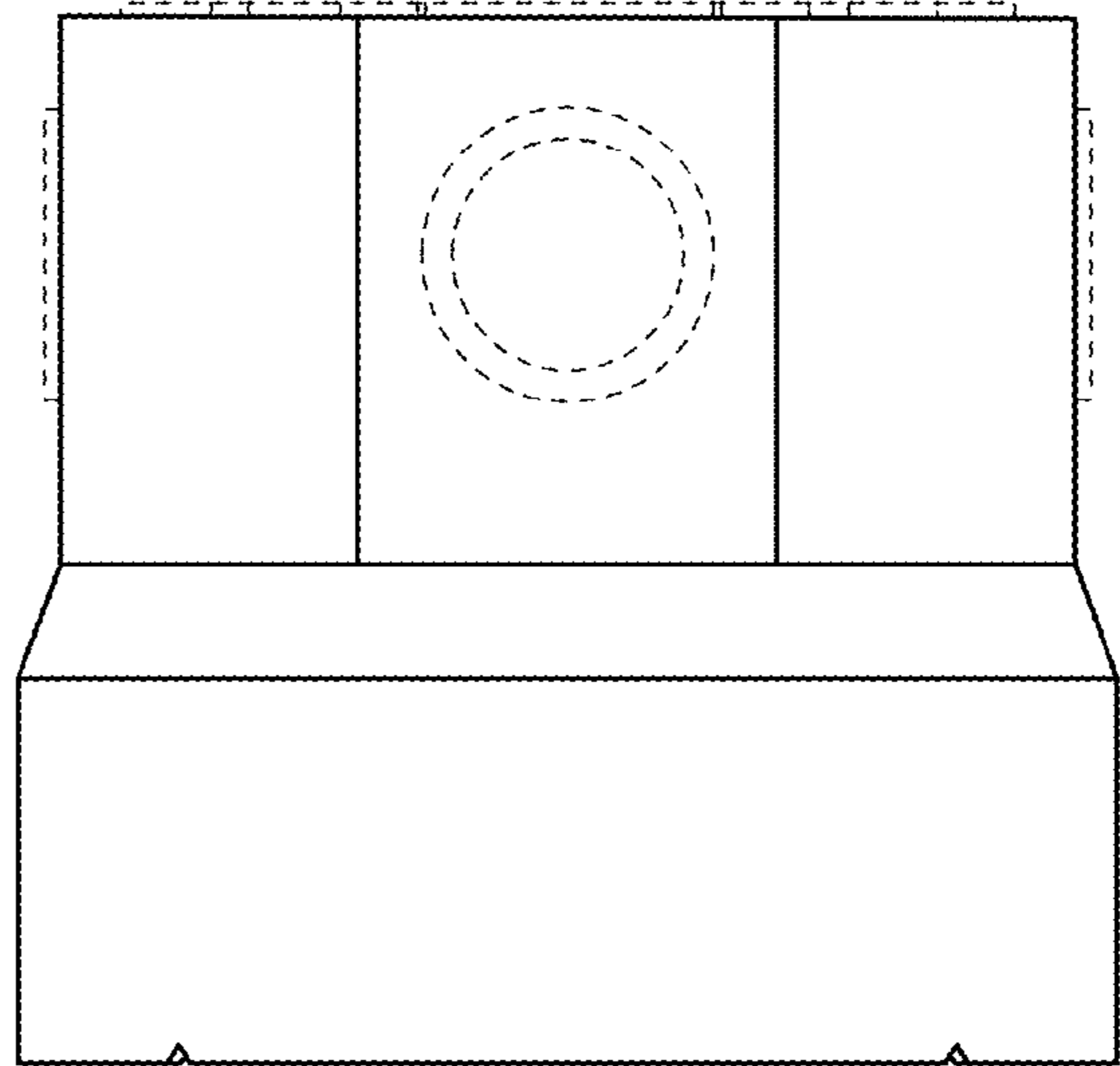


FIG. 16