



US00D922330S

(12) **United States Design Patent**
Egawa

(10) **Patent No.:** **US D922,330 S**
(45) **Date of Patent:** **** Jun. 15, 2021**

(54) **CONNECTOR**

(71) Applicant: **Molex, LLC**, Lisle, IL (US)

(72) Inventor: **Toyokazu Egawa**, Yamato (JP)

(73) Assignee: **Molex, LLC**, Lisle, IL (US)

(**) Term: **15 Years**

(21) Appl. No.: **29/706,412**

(22) Filed: **Sep. 20, 2019**

(30) **Foreign Application Priority Data**

Mar. 26, 2019 (JP) 2019-006405

(51) **LOC (13) Cl.** **13-03**

(52) **U.S. Cl.**
USPC **D13/147**

(58) **Field of Classification Search**
USPC D13/107, 110, 118, 120, 123, 133, 146,
D13/147, 149, 154, 184, 199

CPC . H01R 9/00; H01R 9/24; H01R 12/58; H01R
12/61; H01R 13/4364; H01R 13/518;
H01R 13/58; H01R 13/65; H01R 31/005;
H02G 3/06; H02G 3/08; H02G 33/16

See application file for complete search history.

(56) **References Cited**

U.S. PATENT DOCUMENTS

1,568,156 A	1/1926	Herskovitz	
4,707,043 A	11/1987	Reed	
4,820,179 A	4/1989	Saijo	
4,917,625 A	4/1990	Haile	
5,124,876 A *	6/1992	Misencik H01R 13/6666 361/117
5,190,475 A	3/1993	Dickens	
5,352,850 A	10/1994	Norris	
5,354,850 A	10/1994	Von Der Eltz et al.	
5,697,806 A	12/1997	Whiteman, Jr. et al.	
D411,828 S *	7/1999	Min D13/147

6,475,036 B2	11/2002	Morikawa
6,692,310 B2	2/2004	Zaderej et al.
7,438,604 B2	10/2008	Andresen
7,544,074 B2	6/2009	Buck et al.
7,753,740 B2	7/2010	Carolus et al.
8,007,312 B2	8/2011	Bower et al.
8,043,114 B2	10/2011	Kaneko et al.
8,206,159 B2	6/2012	Naito et al.
9,048,569 B2	6/2015	Chen

(Continued)

FOREIGN PATENT DOCUMENTS

CN	1759507 A	4/2006
CN	1783611 A	6/2006

(Continued)

OTHER PUBLICATIONS

Non-final office action received for U.S. Appl. No. 16/693,379 dated Sep. 1, 2020, 7 pages.

(Continued)

Primary Examiner — Shawn T Gingrich

(57) **CLAIM**

The ornamental design for connector, as shown and described.

DESCRIPTION

FIG. 1 is a perspective view of connector showing our new design;

FIG. 2 is a front view thereof;

FIG. 3 is a rear view thereof;

FIG. 4 is a top view thereof;

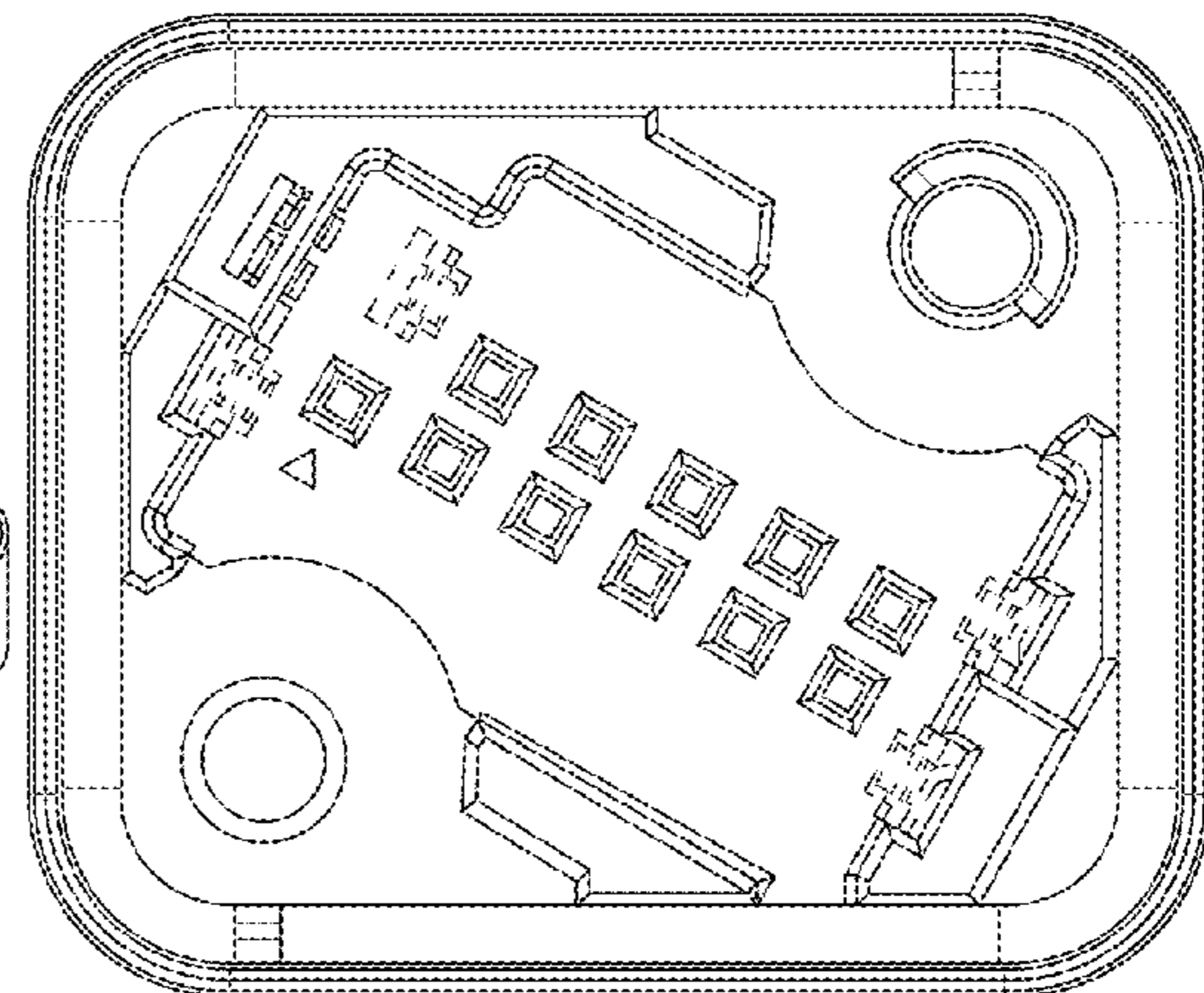
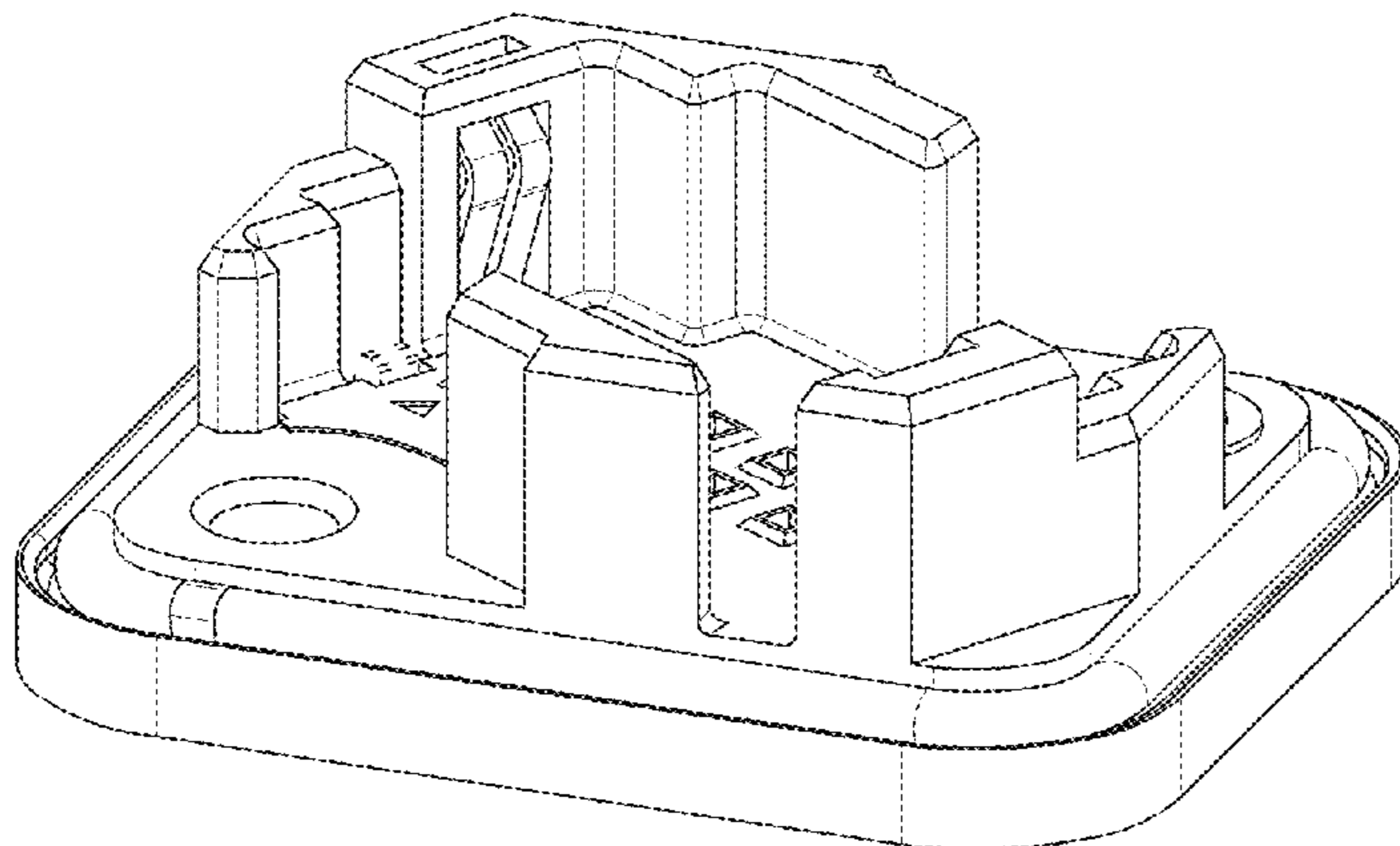
FIG. 5 is a bottom view thereof;

FIG. 6 is a right side view thereof; and,

FIG. 7 is a left side view thereof.

The broken lines in the drawings illustrate portions of the connector that form no part of the claimed design.

1 Claim, 3 Drawing Sheets



(56)

References Cited

U.S. PATENT DOCUMENTS

9,343,860 B2 5/2016 Zomchek et al.
 9,450,319 B2 9/2016 Nishimura
 10,143,102 B2 11/2018 Bury et al.
 D845,893 S * 4/2019 Kim D13/107
 D850,381 S * 6/2019 Tabata D13/133
 D892,728 S * 8/2020 Pan D13/107
 2002/0197893 A1 12/2002 Hiroyuki et al.
 2013/0217262 A1 * 8/2013 Ikeda H01R 25/162
 439/559
 2015/0340788 A1 * 11/2015 Sakaue H01R 12/73
 439/676
 2015/0357735 A1 * 12/2015 Uratani H01R 12/716
 439/660
 2018/0037177 A1 2/2018 Dietrich et al.
 2020/0099168 A1 * 3/2020 Inoue H04N 5/2251
 2020/0176900 A1 * 6/2020 Egawa H01R 12/58
 2020/0194949 A1 * 6/2020 Egawa H01R 13/4364
 2020/0212608 A1 * 7/2020 Egawa H01R 31/005
 2020/0251855 A1 * 8/2020 Chen H01R 13/6582

FOREIGN PATENT DOCUMENTS

CN 201112707 Y 9/2008
 CN 202068039 U 12/2011

CN 102403683 A 4/2012
 CN 203850506 U 9/2014
 CN 206412796 U 8/2017
 JP S54-41590 U 3/1979
 JP H06-52907 A 2/1994
 JP H08-115759 A 5/1996
 JP 3135006 B2 2/2001
 JP 2010-252543 A 11/2010
 TW D156015 S1 9/2013
 TW D187173 S1 12/2017
 TW D188008 S 1/2018
 TW D189476 S 4/2018
 TW D189478 S 4/2018

OTHER PUBLICATIONS

Non-final office action received for U.S. Appl. No. 16/693,388 dated
 Sep. 16, 2020, 6 pages.
 Non-final office action received for U.S. Appl. No. 16/693,391 dated
 Sep. 30, 2020, 13 pages.

* cited by examiner

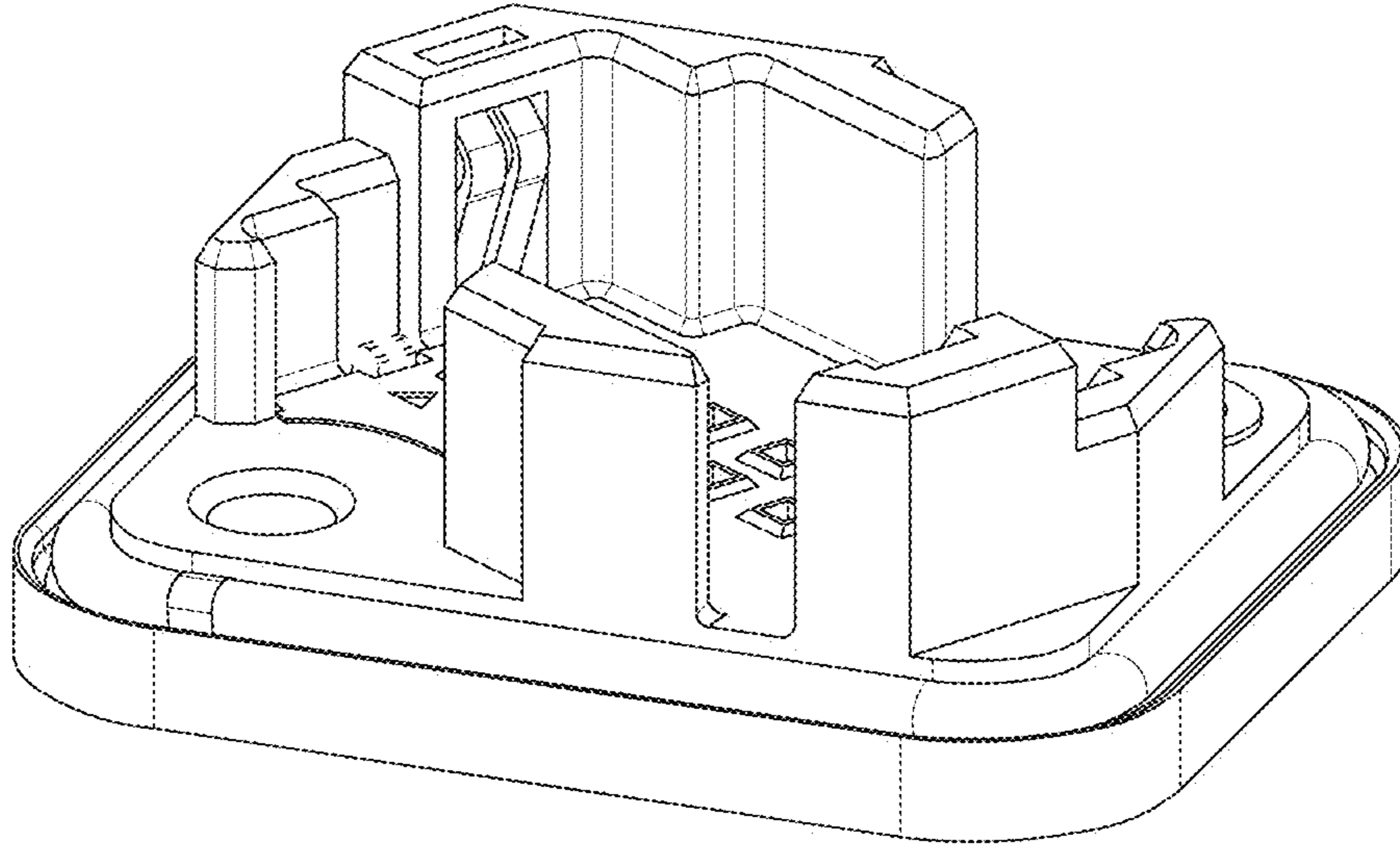


FIG. 1

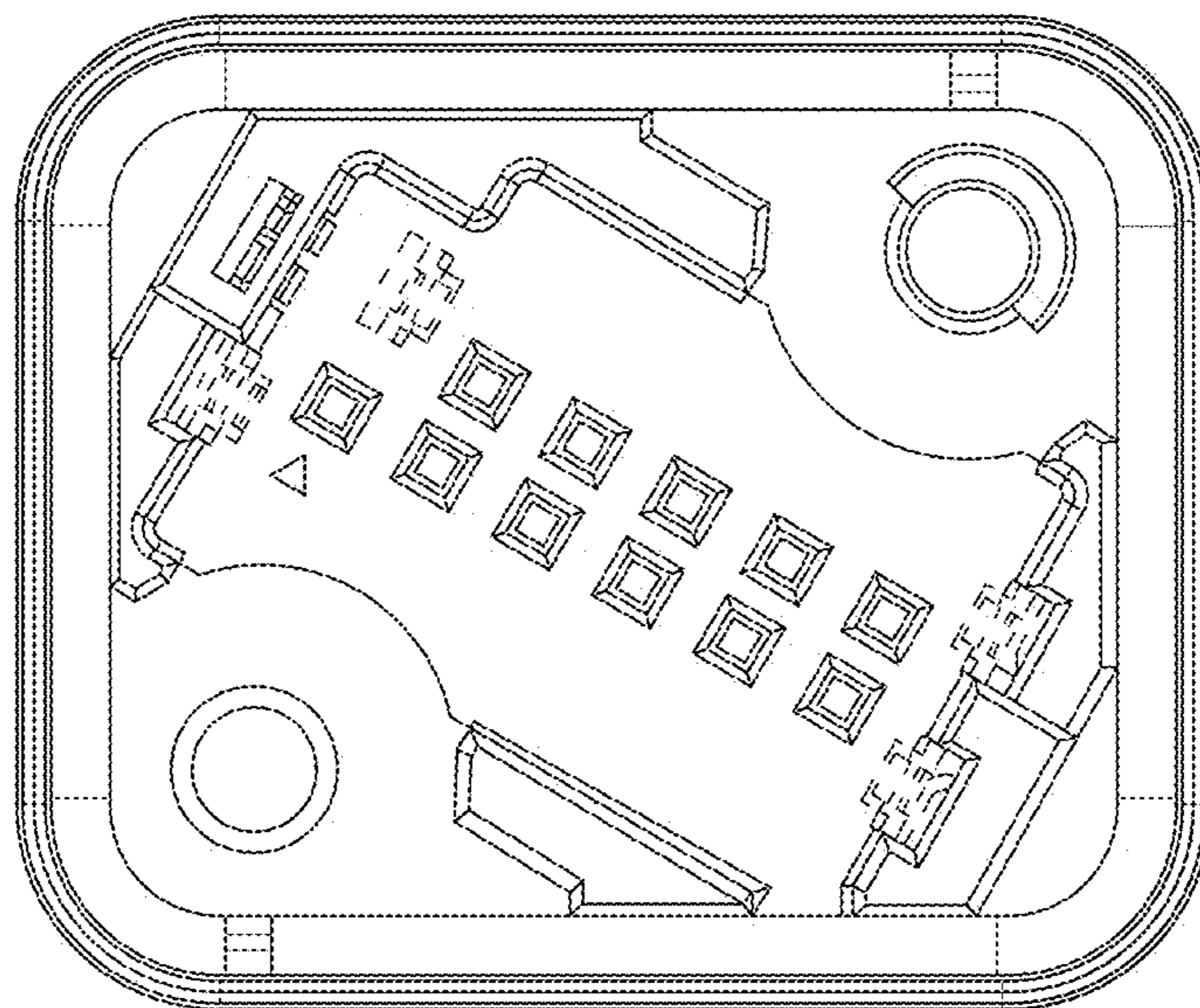


FIG. 2

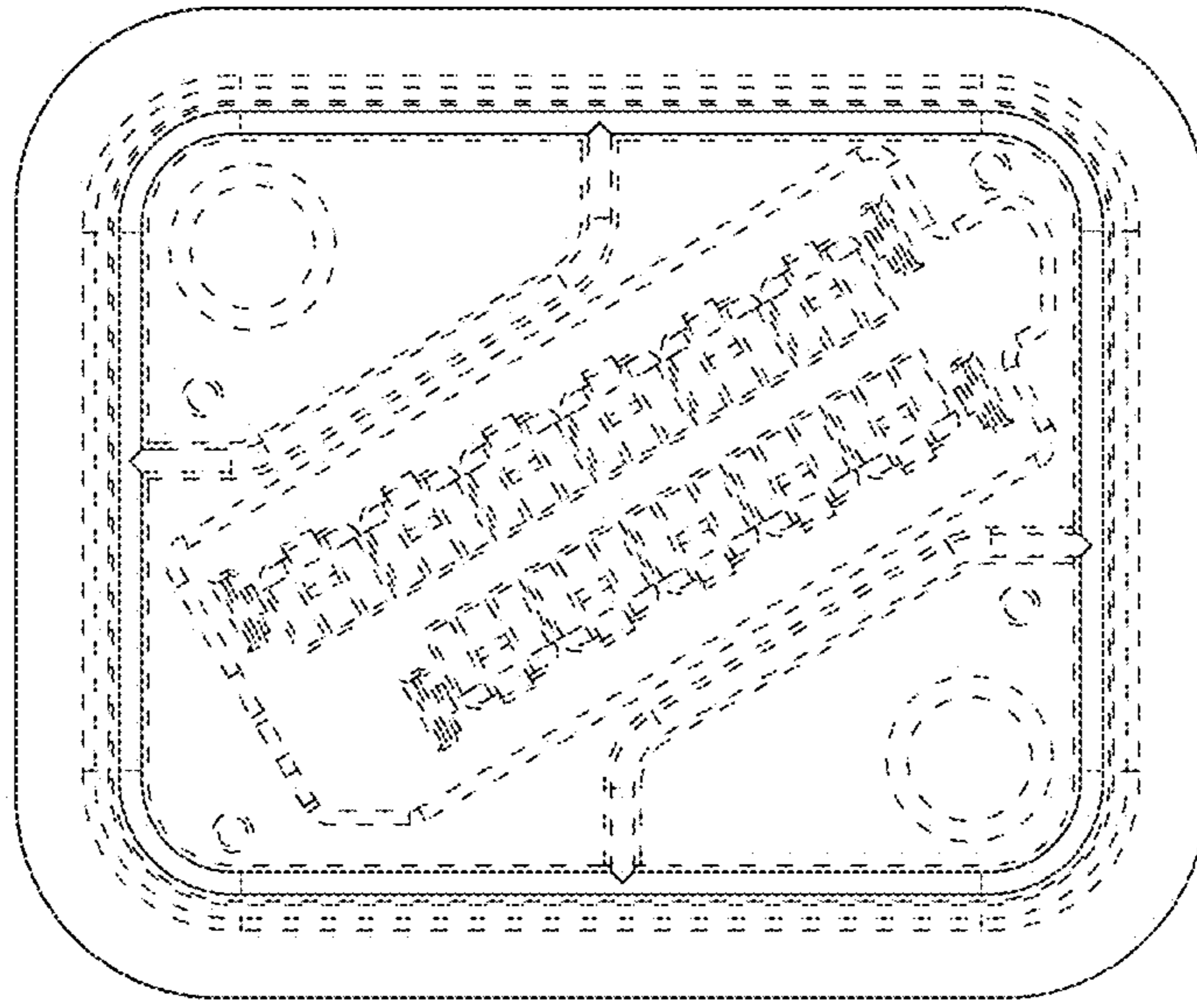


FIG. 3

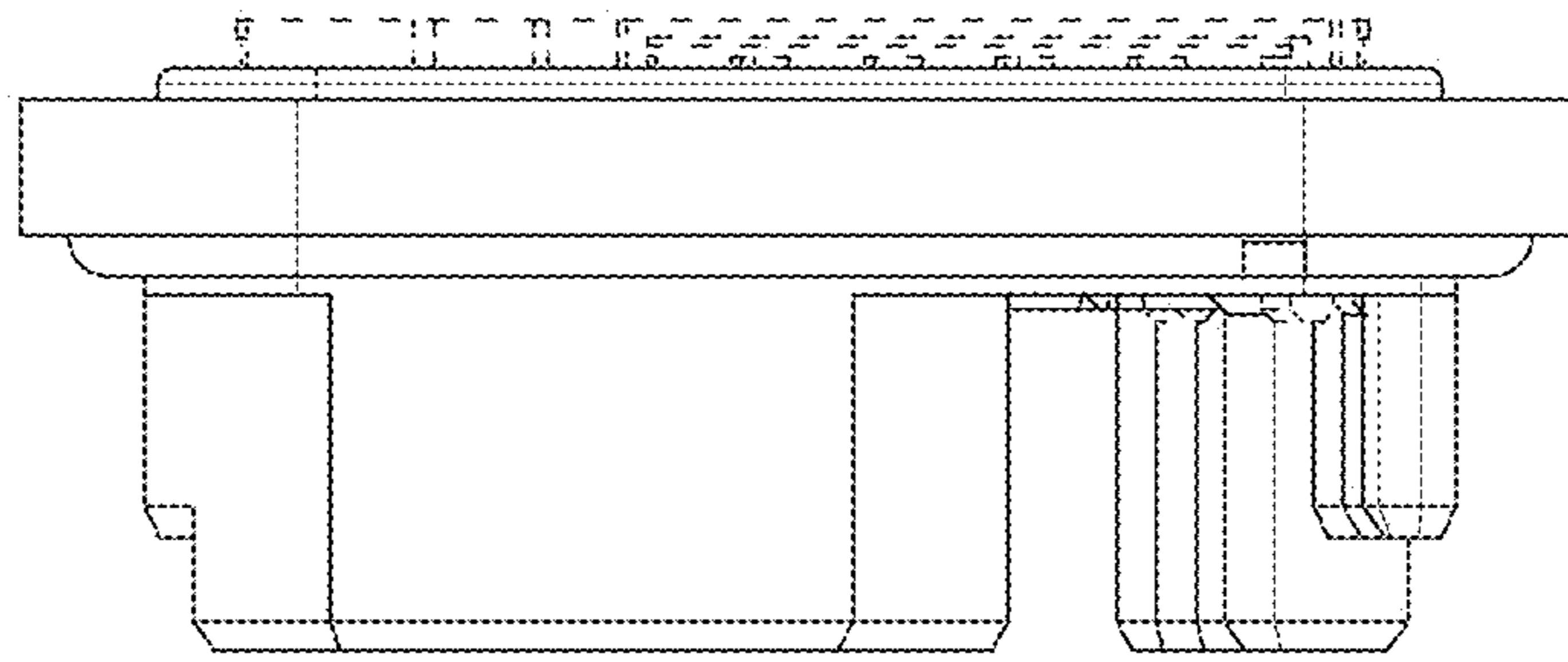


FIG. 4

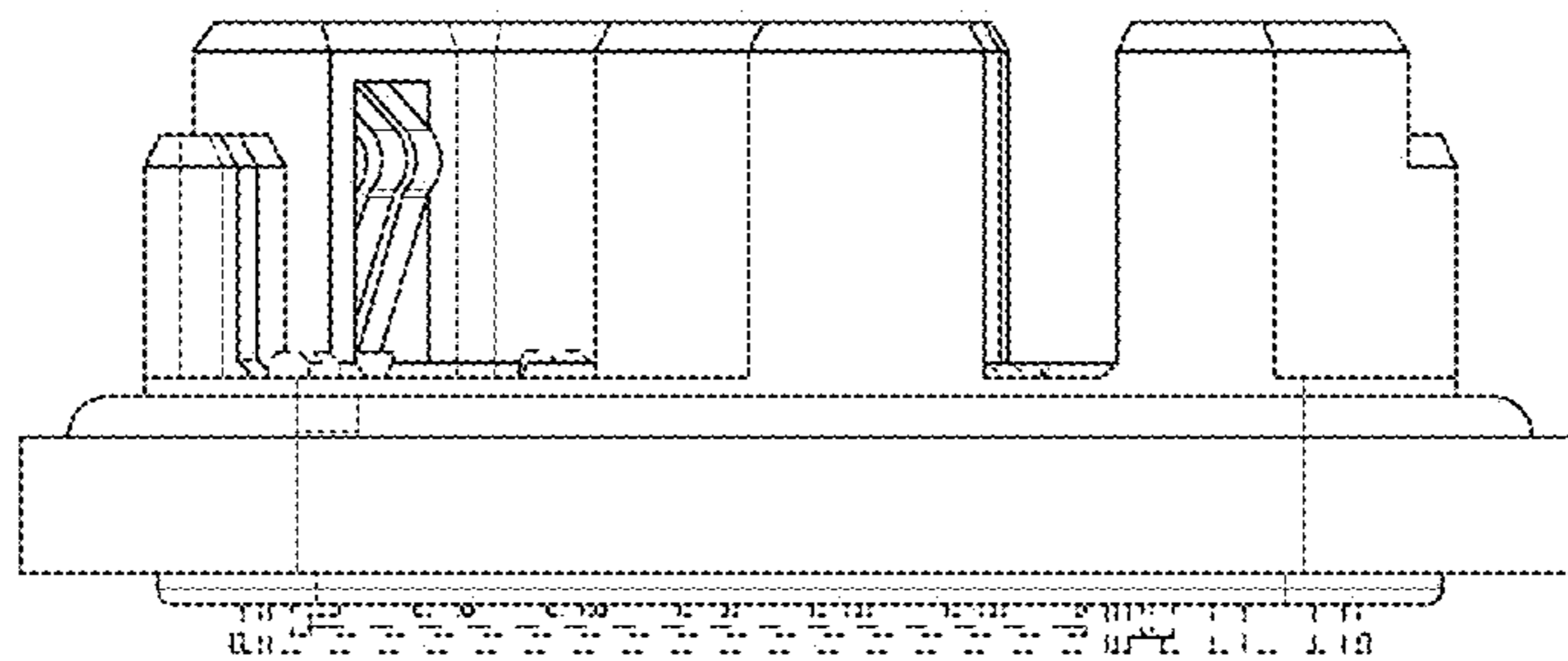


FIG. 5

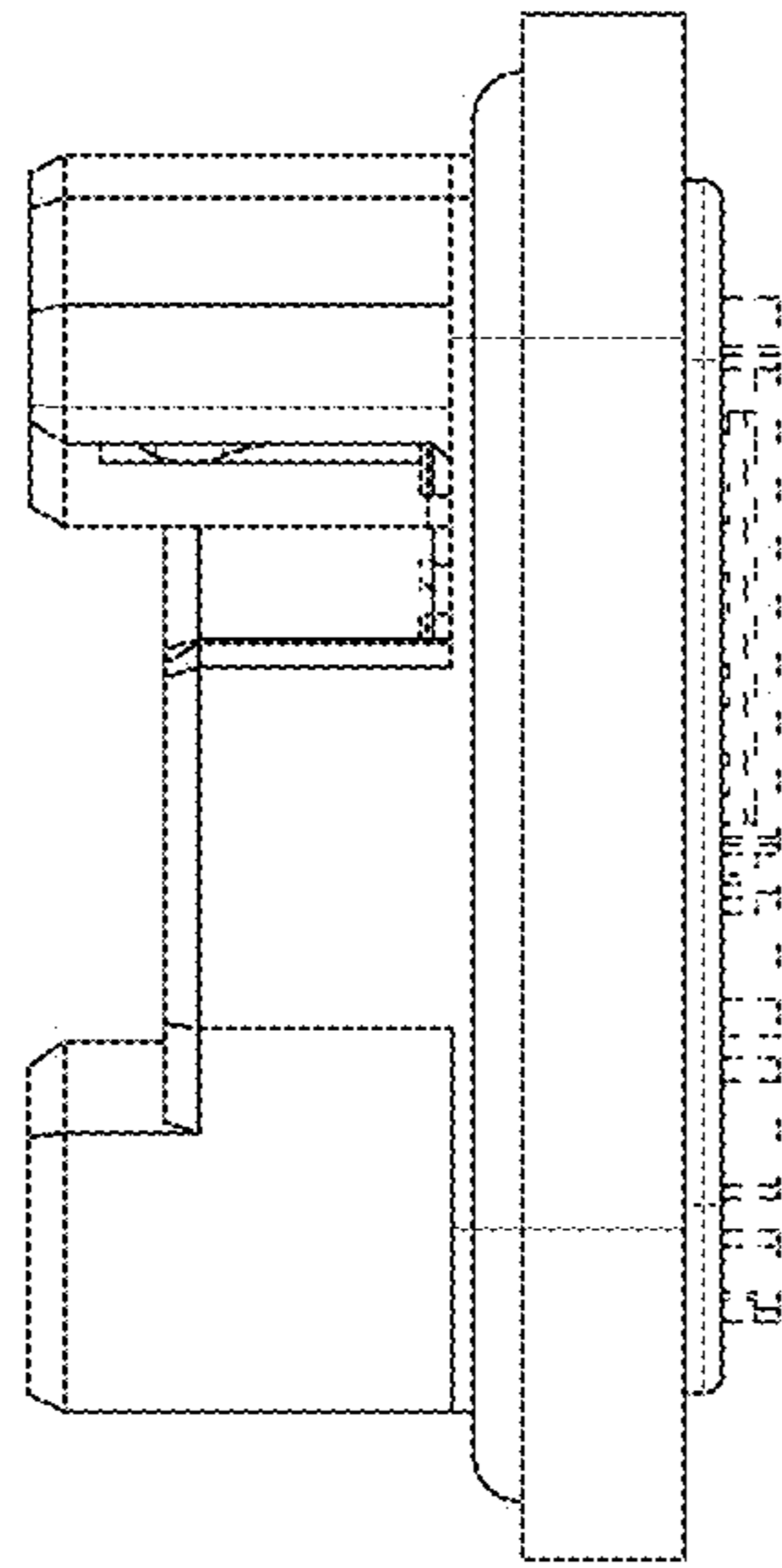


FIG. 6

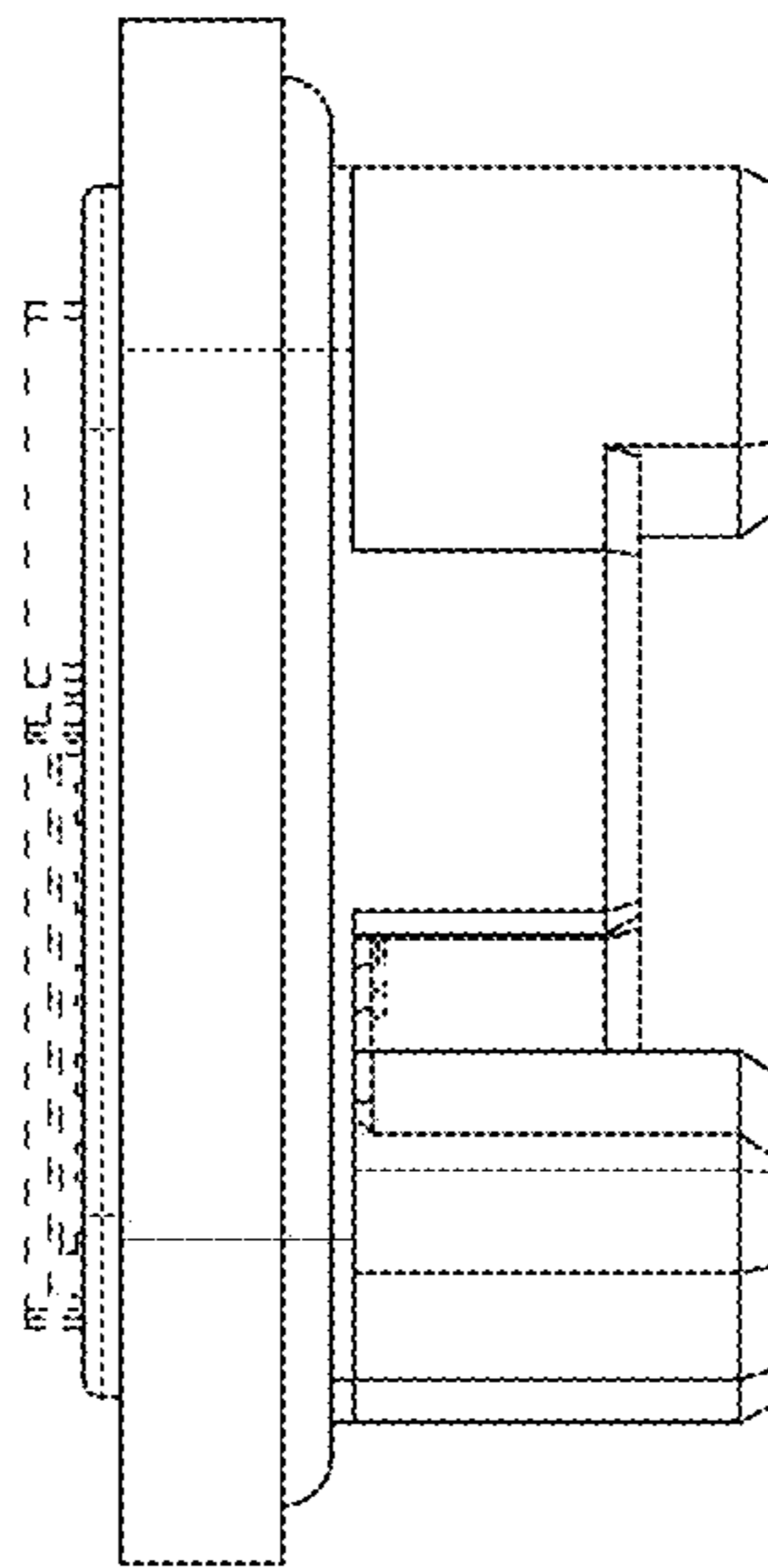


FIG. 7