



US00D922328S

(12) **United States Design Patent**
Tao

(10) **Patent No.:** **US D922,328 S**
(45) **Date of Patent:** **** Jun. 15, 2021**

(54) **SOCKET**

(71) Applicant: **Ningbo Litesun Electric Co., Ltd.**,
Zhejiang (CN)

(72) Inventor: **Jiahuan Tao**, Yuyao (CN)

(73) Assignee: **Ningbo Litesun Electric Co., Ltd.**,
Zhejiang (CN)

(**) Term: **15 Years**

(21) Appl. No.: **29/701,555**

(22) Filed: **Aug. 13, 2019**

(51) **LOC (13) Cl.** **13-03**

(52) **U.S. Cl.**
USPC **D13/137.2; D13/137.4**

(58) **Field of Classification Search**
USPC D13/103, 107, 108, 113, 118, 123, 133,
D13/137.1–137.4, 138.1, 138.2,
D13/139.1–139.7, 153, 154, 155;
D14/433, 434
CPC H01R 25/006; H01R 25/165; H01R 9/00;
H01R 9/22; H01R 9/226; H01R 13/00;
H01R 13/03; H01R 13/04; H01R 13/10;
H01R 13/35; H01R 13/502; H01R
13/631; H01R 13/6666; H01R 13/6675;
H05K 5/00; H05K 5/03
See application file for complete search history.

(56) **References Cited**

U.S. PATENT DOCUMENTS

D381,315 S *	7/1997	Harold	D13/139.4
D442,551 S *	5/2001	Stekelenburg	D13/137.4
D443,590 S *	6/2001	Vende	D13/137.4
D448,730 S *	10/2001	Lee	D13/137.4
D459,307 S *	6/2002	Nieto	D13/139.8
D464,624 S *	10/2002	Shim	D13/137.4
D469,064 S *	1/2003	Nieto	D13/137.2
D481,009 S *	10/2003	Stekelenburg	D13/137.4

D481,357 S *	10/2003	Stekelenburg	D13/139.8
D482,326 S *	11/2003	Stekelenburg	D13/137.4
D640,199 S *	6/2011	Wilson	D13/139.7

(Continued)

OTHER PUBLICATIONS

9 Outlet Protector, available date Dec. 20, 2019, [online], [site visited Sep. 17, 2020], Available from Internet URL: <https://www.amazon.com/9-Outlet-Protector-Charging-Extension-Compact/dp/B082Y87XHH>.*

(Continued)

Primary Examiner — Brandon M Rosati

(74) *Attorney, Agent, or Firm* — Greensfelder, Hemker & Gale, P.C.; Richard C. Himelhoch

(57) **CLAIM**

I claim the ornamental design for a socket, as shown and described.

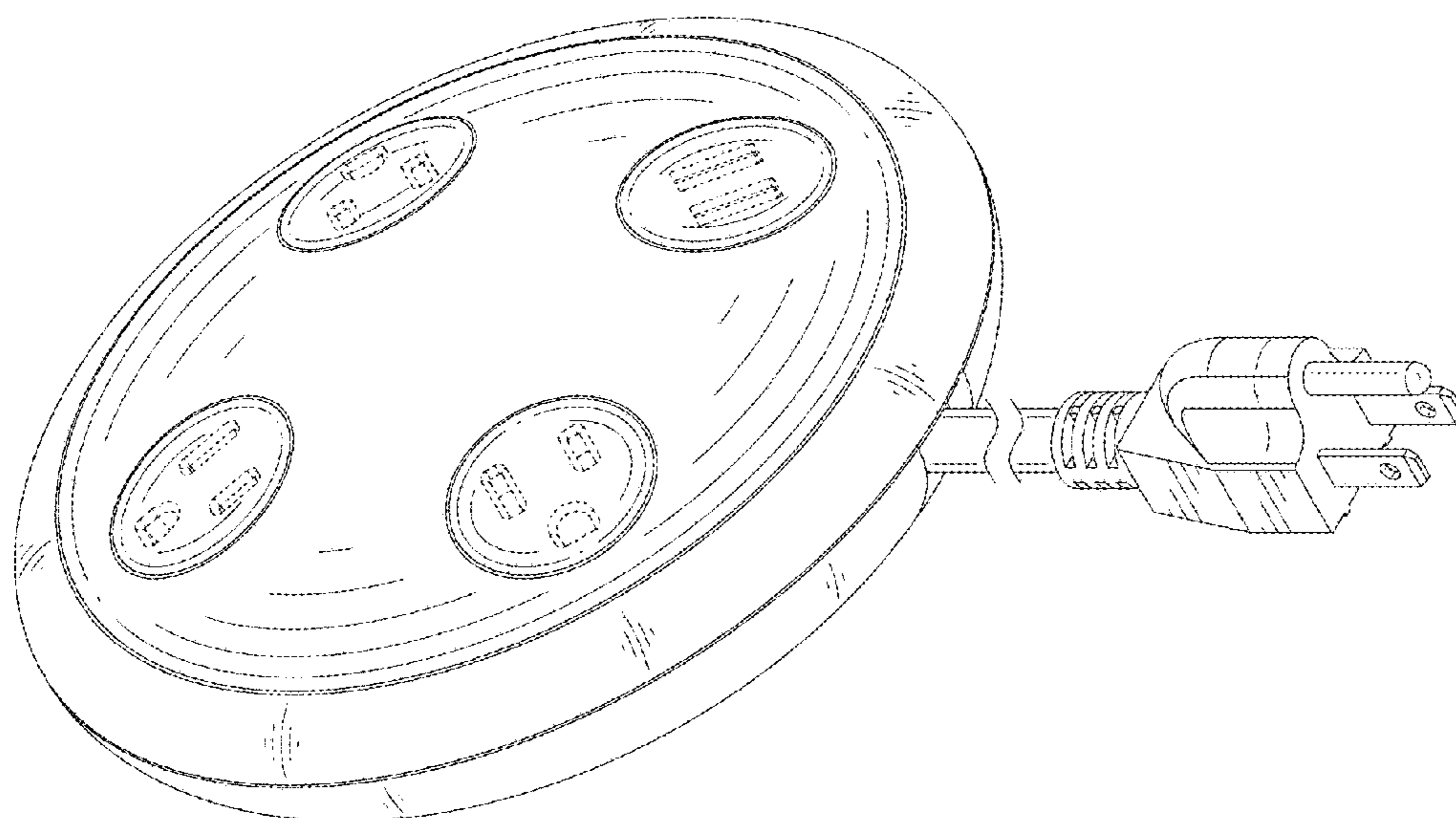
DESCRIPTION

FIG. 1 is a top perspective view of a socket in accordance with the present design;
FIG. 2 is a bottom perspective view of the socket of FIG. 1;
FIG. 3 is a top plan view of the socket of FIG. 1;
FIG. 4 is a bottom plan view of the socket of FIG. 1;
FIG. 5 is a back side elevational view of the socket of FIG. 1;
FIG. 6 is a front side elevational view of the socket of FIG. 1;
FIG. 7 is a right side elevational view of the socket of FIG. 1; and,
FIG. 8 is a left side elevational view of the socket of FIG. 1.

The broken lines shown in the drawings are for the purposes of illustrating portions of the article and form no part of the claimed design.

The broken away symbols in the drawings indicate the appearance of any portion of the article between the break lines forms no part of the claimed design.

1 Claim, 8 Drawing Sheets



(56)

References Cited

U.S. PATENT DOCUMENTS

D653,215 S *	1/2012	Lam	D13/139.8
D775,589 S *	1/2017	Softer	D13/139.1
D793,339 S *	8/2017	Dicks	D13/139.1
D794,029 S *	8/2017	Lin	D14/433
D794,557 S *	8/2017	Kim	D13/108
D795,182 S *	8/2017	Akana	D13/108
D796,442 S *	9/2017	Xu	D13/139.6
D845,902 S *	4/2019	Xu	D13/137.4
D846,500 S *	4/2019	Xu	D13/137.4
D872,015 S *	1/2020	Choi	D13/108
D874,399 S *	2/2020	Lockenwitz	D13/108

OTHER PUBLICATIONS

Travel Power Strip, available date Aug. 7, 2017, [online], [site visited Sep. 17, 2020], Available from Internet URL: <https://www.amazon.com/Poweradd-Outlet-Protector-Type-C-Retractable/dp/B074MPZ21B>.*

6 Outlet Round Strip, available date Aug. 30, 2016, [online], [site visited Sep. 17, 2020], Available from Internet URL: <https://www.amazon.com/Upgraded-BESTEK-Protector-6-Outlet-Charging/dp/B01L94ZOH4>.*

6 Round Power Center, available date Nov. 7, 2016, [online], [site visited Sep. 17, 2020], Available from Internet URL: <https://www.amazon.com/TP-Clear-Blue-Protector-RFI-Filter-SRA21PLUS/dp/B01MXHW9H3>.*

* cited by examiner

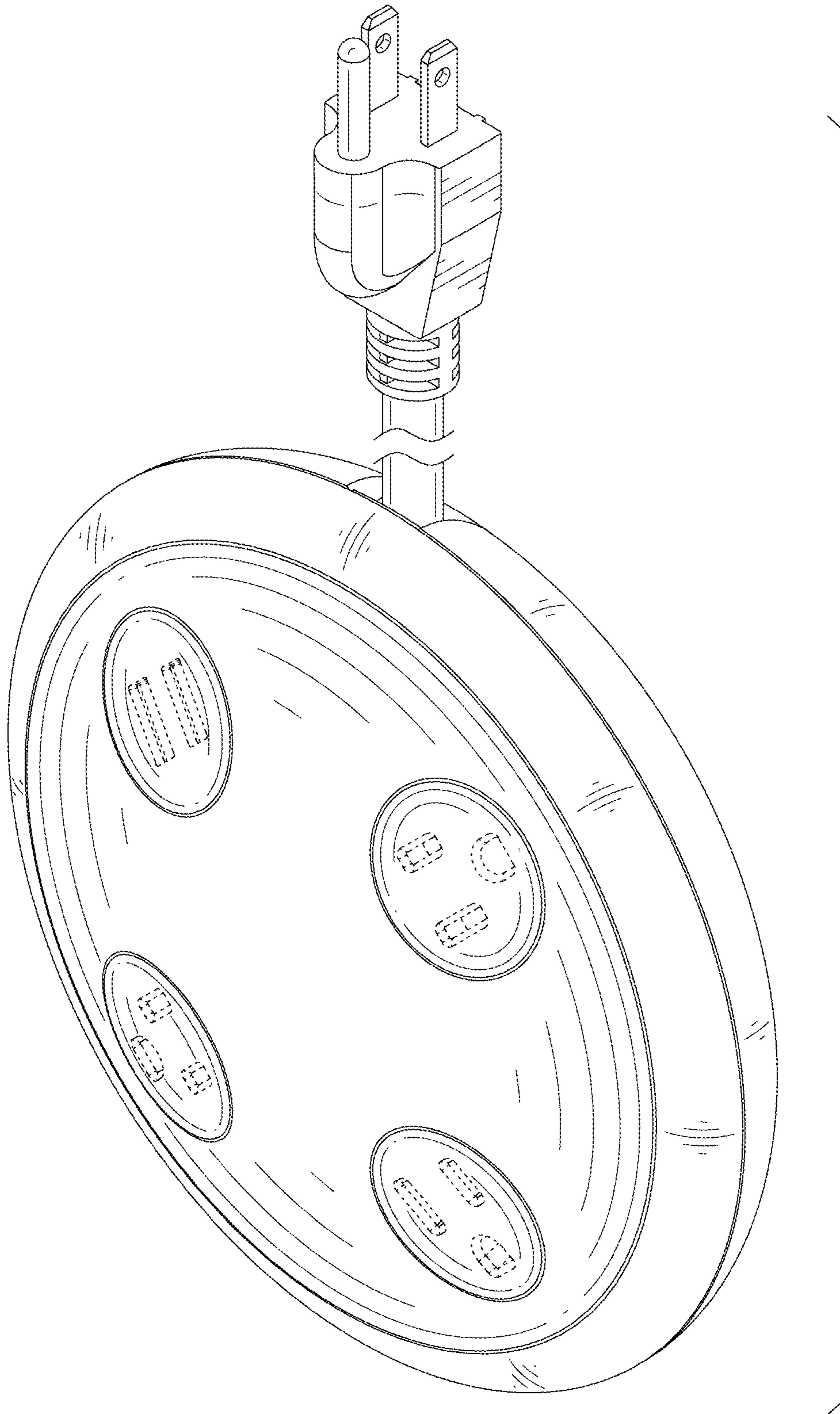


FIG.1

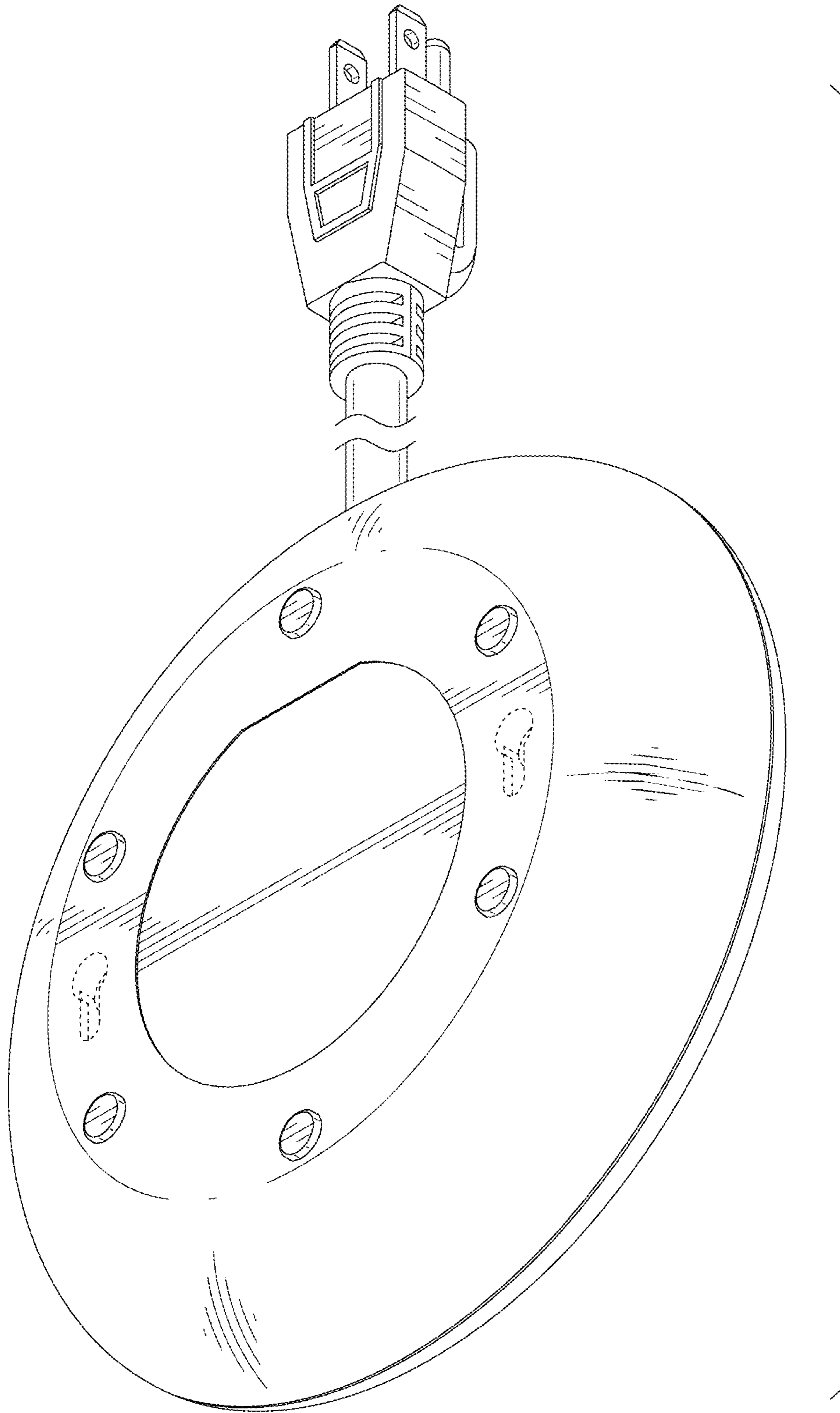


FIG.2

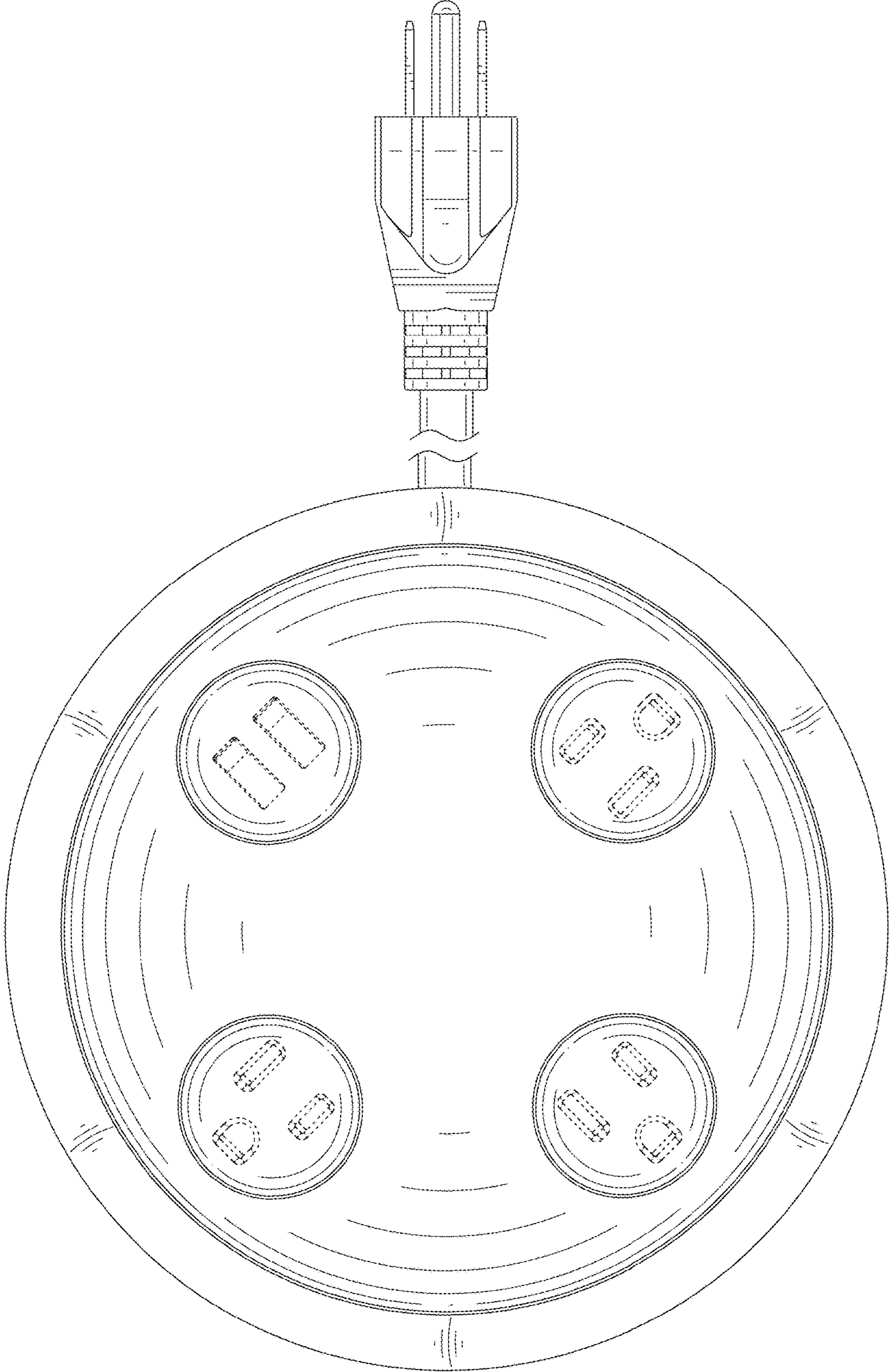


FIG.3

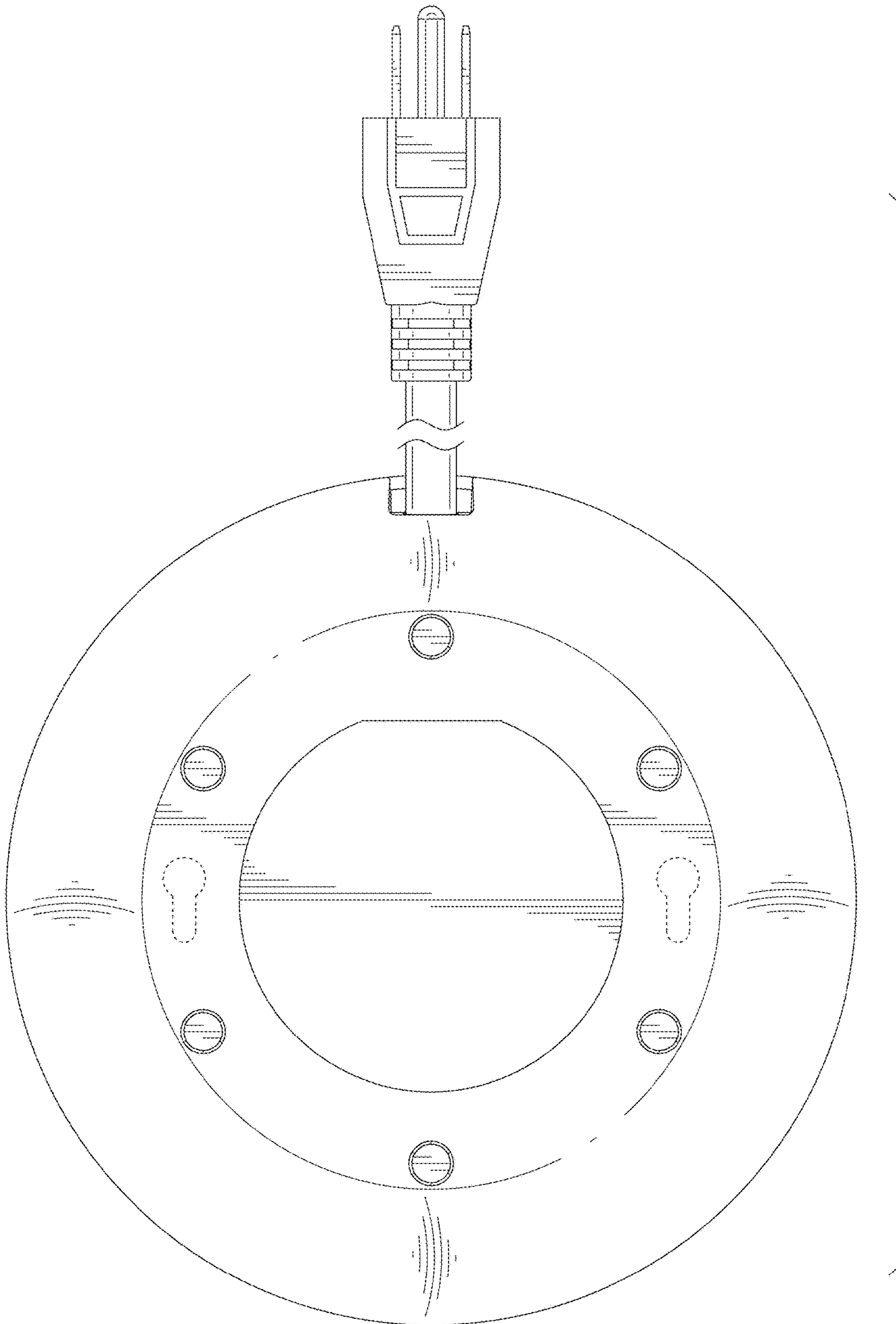


FIG.4

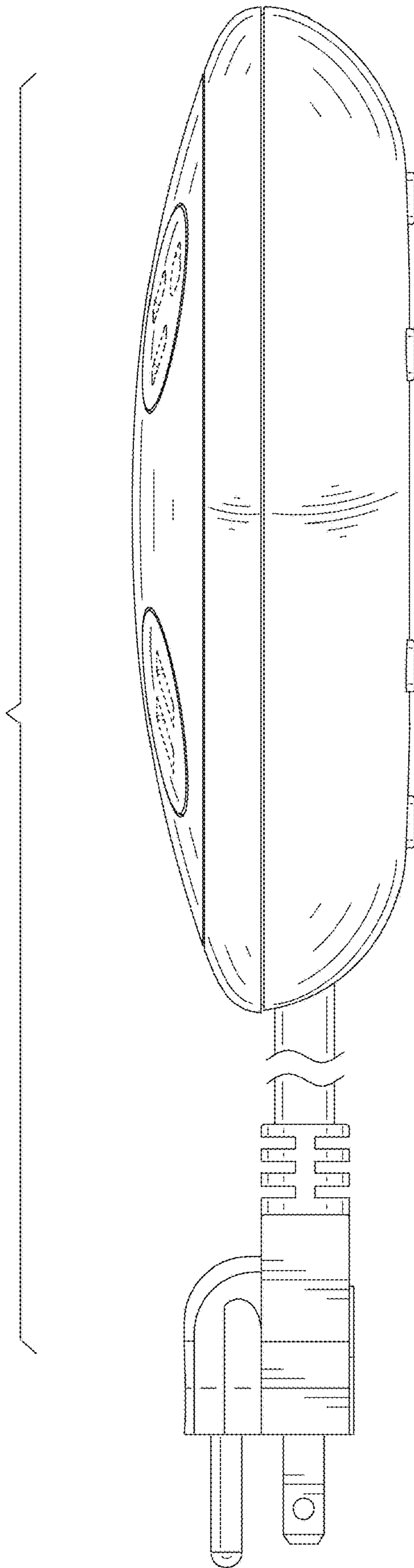


FIG. 5

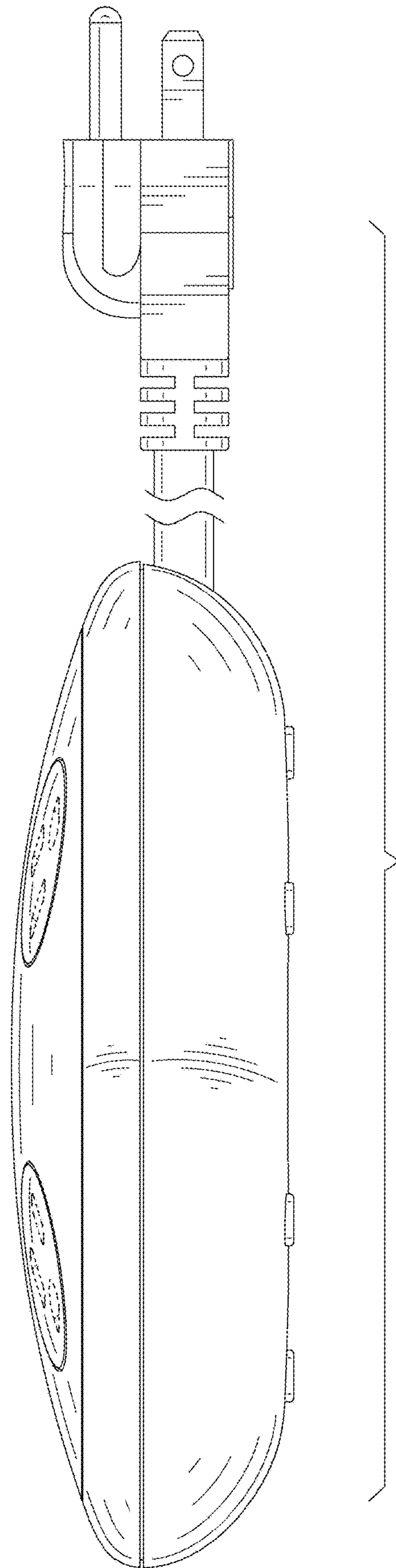


FIG.6

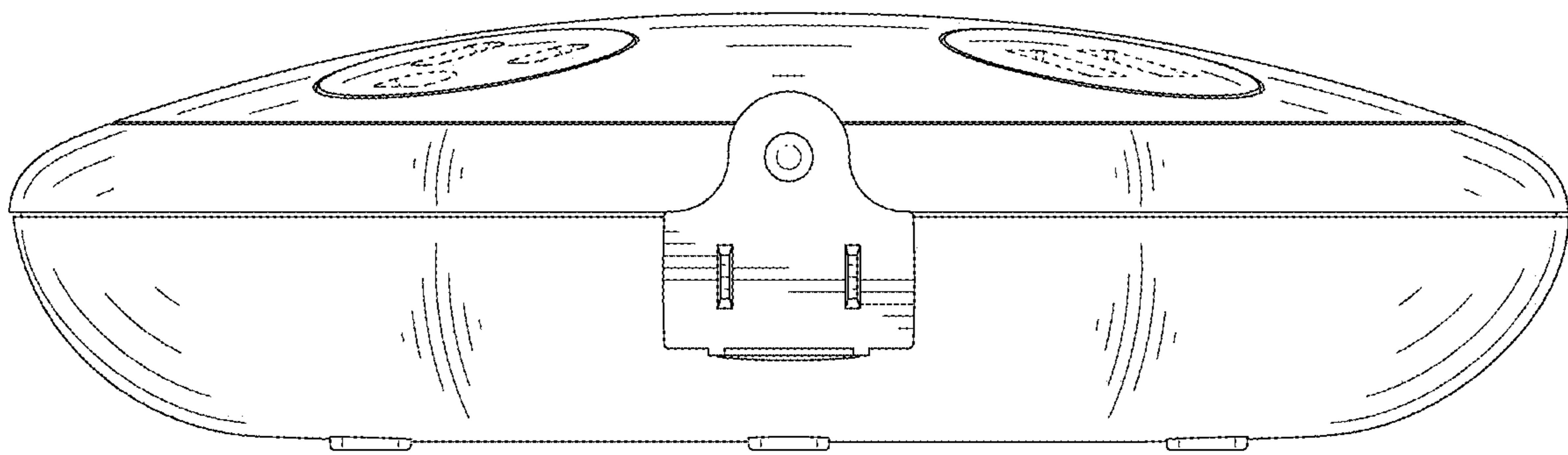


FIG.7

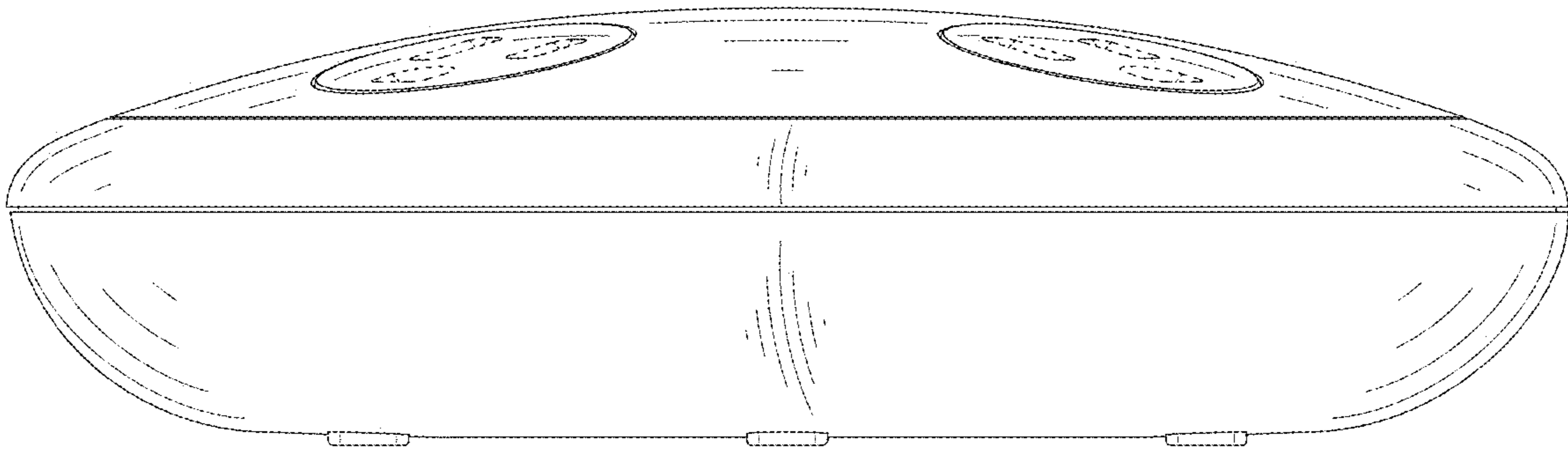


FIG.8