

US00D922320S

(12) **United States Design Patent** (10) **Patent No.:** **US D922,320 S**  
**Magyar** (45) **Date of Patent:** **\*\* Jun. 15, 2021**

(54) **CONVERTER WITH MOTOR**

- (71) Applicant: **WITTENSTEIN SE**, Igersheim (DE)
- (72) Inventor: **Mátyás Magyar**, Bad Mergentheim (DE)
- (73) Assignee: **WITTENSTEIN SE**, Igersheim (DE)
- (\*\*) Term: **15 Years**
- (21) Appl. No.: **29/711,428**
- (22) Filed: **Oct. 31, 2019**
- (51) **LOC (13) Cl.** ..... **13-02**
- (52) **U.S. Cl.**  
USPC ..... **D13/110**
- (58) **Field of Classification Search**  
USPC ..... D13/103, 104, 107, 110, 112, 119, 120, D13/133, 156  
CPC ..... H01R 13/641; H01M 2/1022; H01M 2/1027; H01M 2/1072; H01M 2/105; H01M 2/1077; H02B 1/20  
See application file for complete search history.

(56) **References Cited**

**U.S. PATENT DOCUMENTS**

D425,017 S *	5/2000	Leung	.....	D13/110
D489,682 S *	5/2004	Guillarme	.....	D13/110
D503,149 S *	3/2005	Teramae	.....	D13/110
D530,277 S *	10/2006	Lin	.....	D13/110
D638,793 S *	5/2011	Perin	.....	D13/110
D794,561 S *	8/2017	Schroedel	.....	D13/112
D809,039 S *	1/2018	Ebner	.....	D15/148
D821,470 S *	6/2018	Ebner	.....	D15/148
D854,498 S *	7/2019	Ebner	.....	D13/112
D879,715 S *	3/2020	Brendel	.....	D13/110
D883,207 S *	5/2020	Sakamoto	.....	D13/110
D906,984 S *	1/2021	Ganamukhi	.....	D13/147
2008/0084141 A1 *	4/2008	Schueren	.....	H02K 5/225 310/68 B
2010/0127602 A1 *	5/2010	Rueggen	.....	H02K 5/225 310/68 D

**OTHER PUBLICATIONS**

“Compact drive system” PresseBox., posted date Nov. 28, 2019 [online], [retrieved on Jan. 12, 2021], Retrieved from the Internet <URL: <https://www.pressebox.com/pressrelease/wittenstein-ag/Compact-drive-system-provides-decentralized-intelligence-directly-on-the-axis/boxid/983877>> (Year: 2019).\*

“Compact drive system” Automation Fair., posted date Nov. 21, 2019 [online], [retrieved on Jan. 12, 2021], Retrieved from the Internet <URL: <https://www.automation-fair.com/2019/12/21/compact-drive-system-provides-decentralized-intelligence-directly-on-the-axis/>> (Year: 2019).\*

(Continued)

*Primary Examiner* — Darlington Ly  
*Assistant Examiner* — Nasim Abdulaziz Ali  
 (74) *Attorney, Agent, or Firm* — Bachman & LaPointe, PC

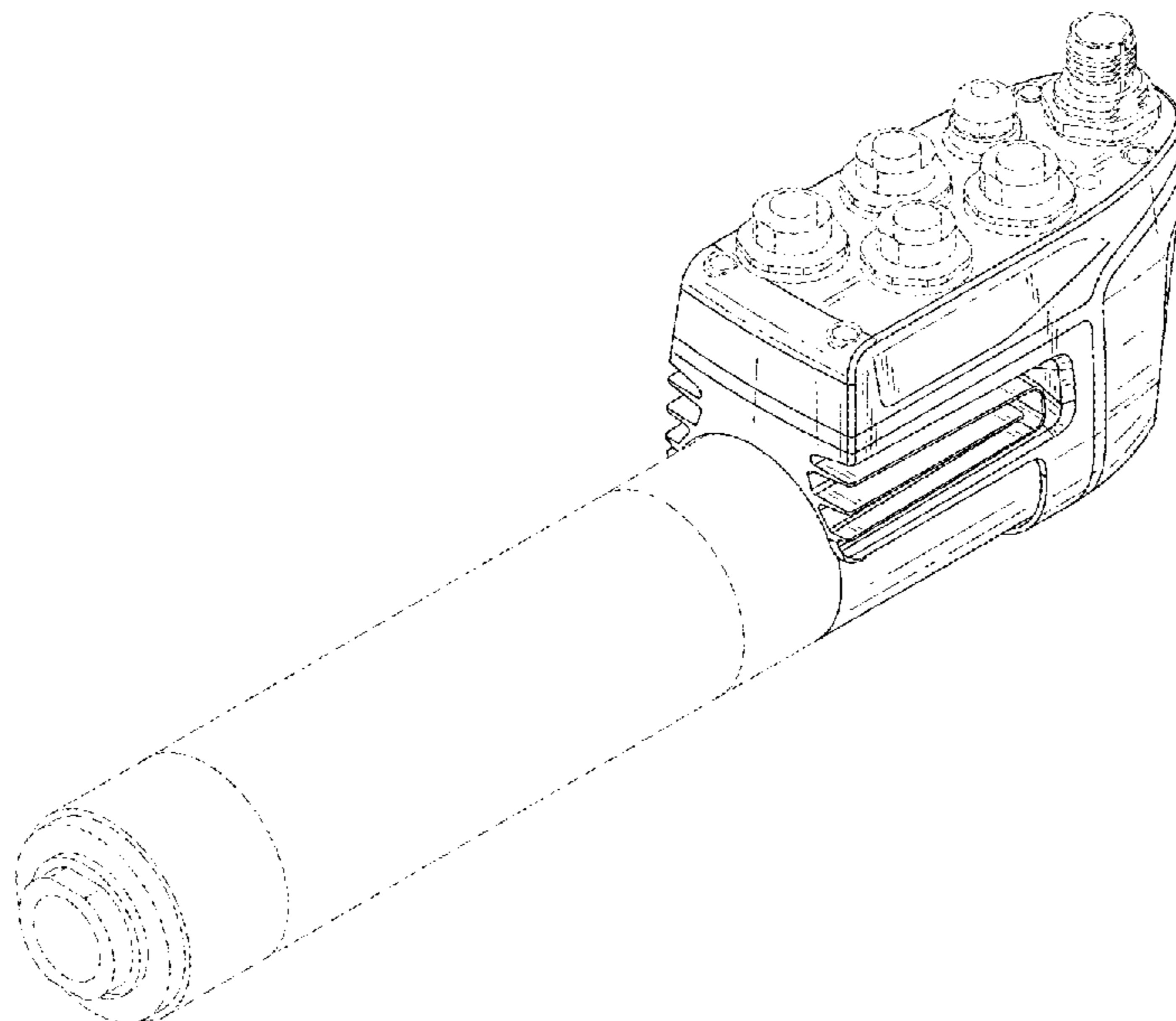
(57) **CLAIM**

The ornamental design for a converter with motor, as shown and described.

**DESCRIPTION**

FIG. 1 is a top, front, and right side perspective view of a converter with motor embodying my new design;  
 FIG. 2 is a bottom, rear, and right side perspective view thereof;  
 FIG. 3 is a front elevation view thereof;  
 FIG. 4 is a rear elevation view thereof;  
 FIG. 5 is a left side elevation view thereof;  
 FIG. 6 is a right side elevation view thereof;  
 FIG. 7 is a top plan view thereof; and,  
 FIG. 8 is a bottom plan view thereof.  
 The broken lines in the drawings illustrate portions of the converter with motor that form no part of the claimed design

**1 Claim, 3 Drawing Sheets**



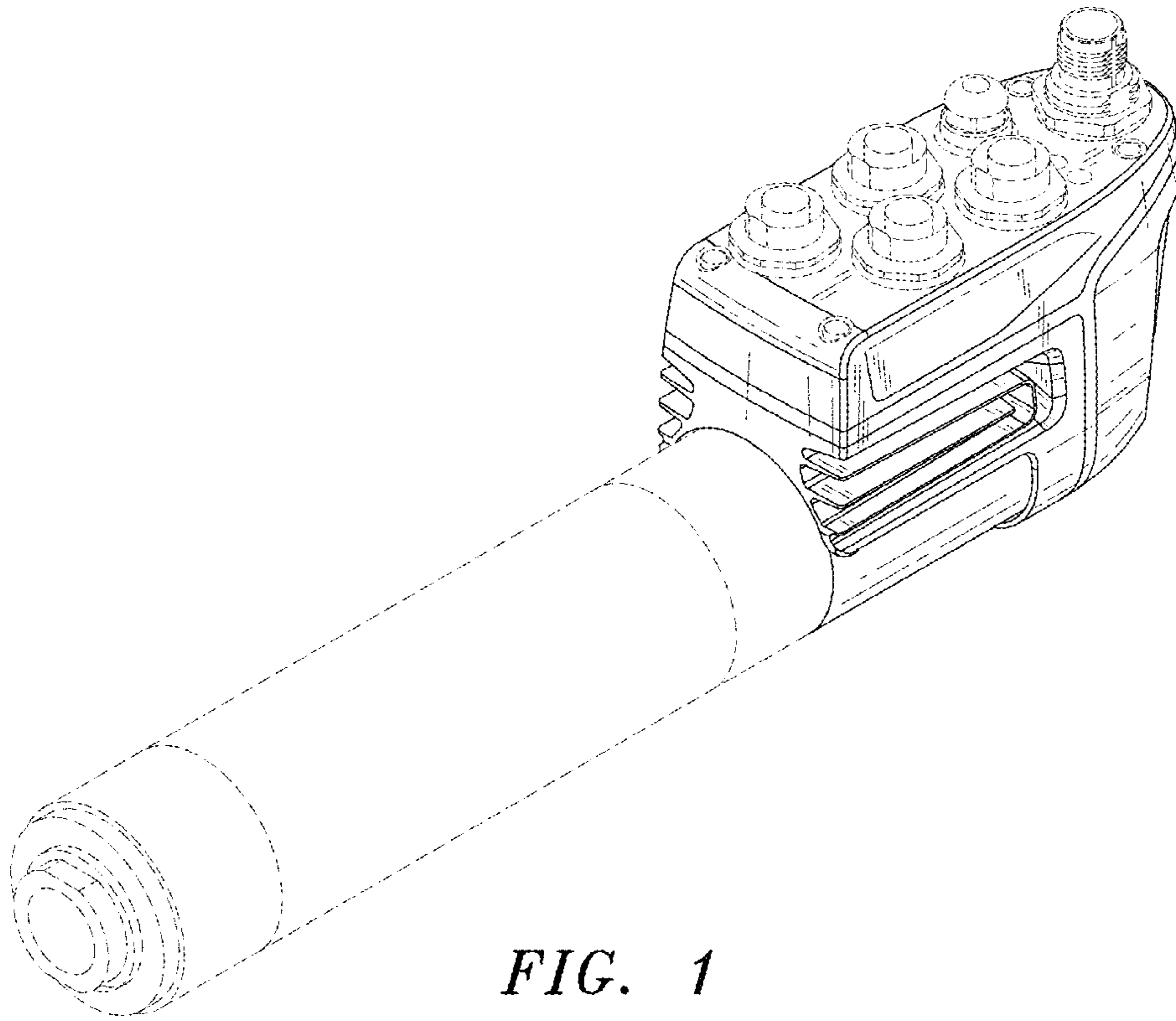
(56)

**References Cited**

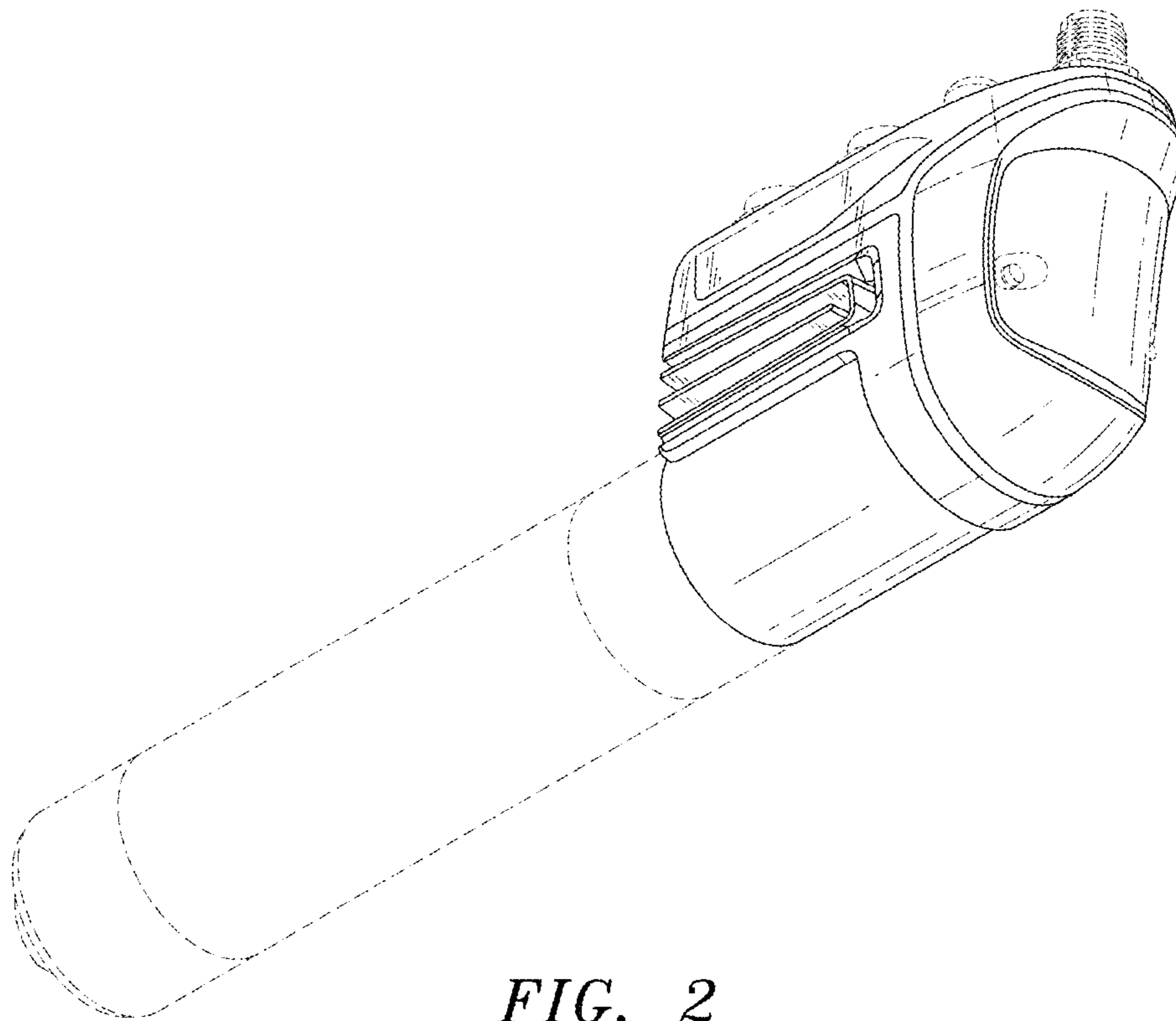
OTHER PUBLICATIONS

“Small servo drive system” ISSUU., posted date Nov. 6, 2019 [online], [retrieved on Jan. 12, 2021], Retrieved from the Internet <URL: <https://issuu.com/wittenstein-ag/docs/small-servo-drive-system-flyer-en>> (Year: 2019).\*

\* cited by examiner



*FIG. 1*



*FIG. 2*

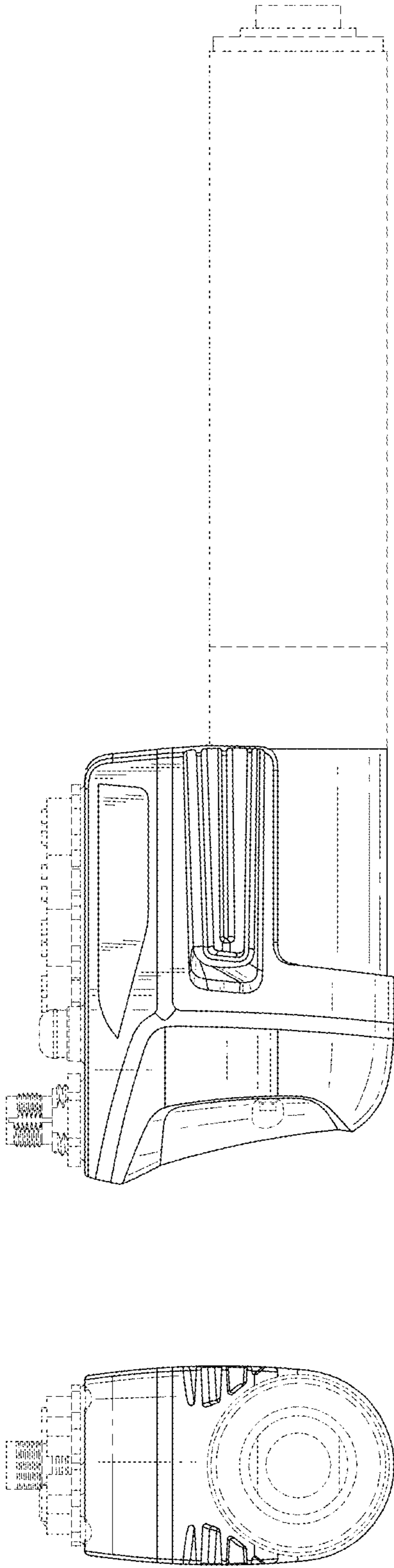


FIG. 5

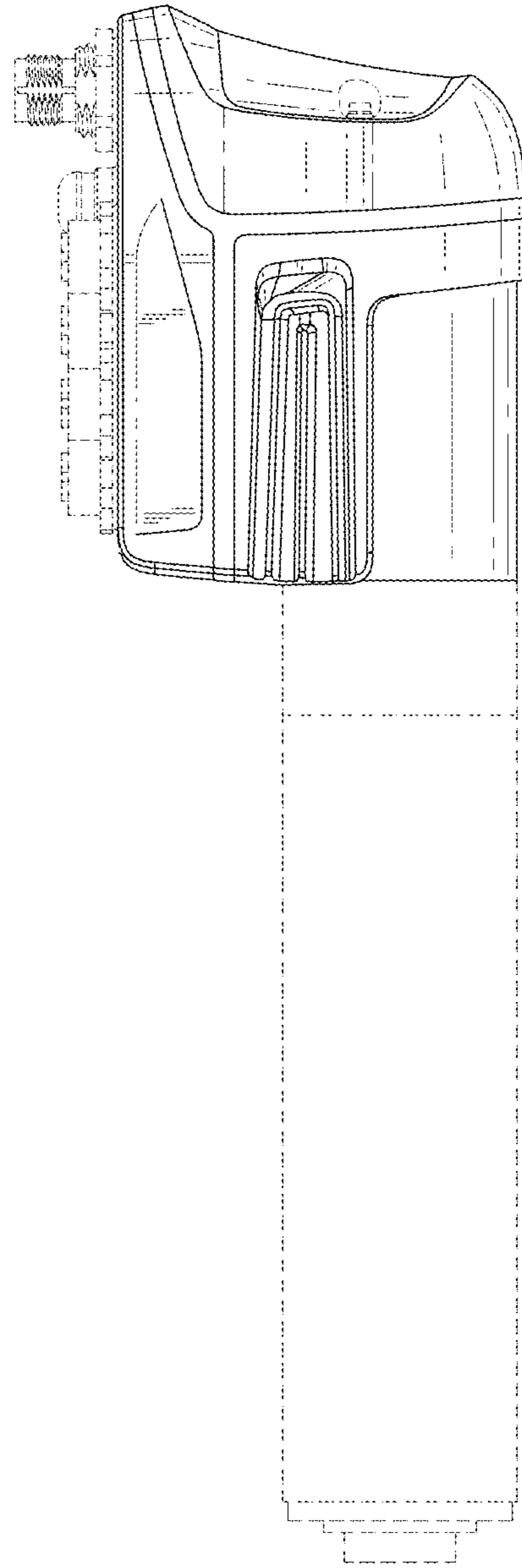


FIG. 6

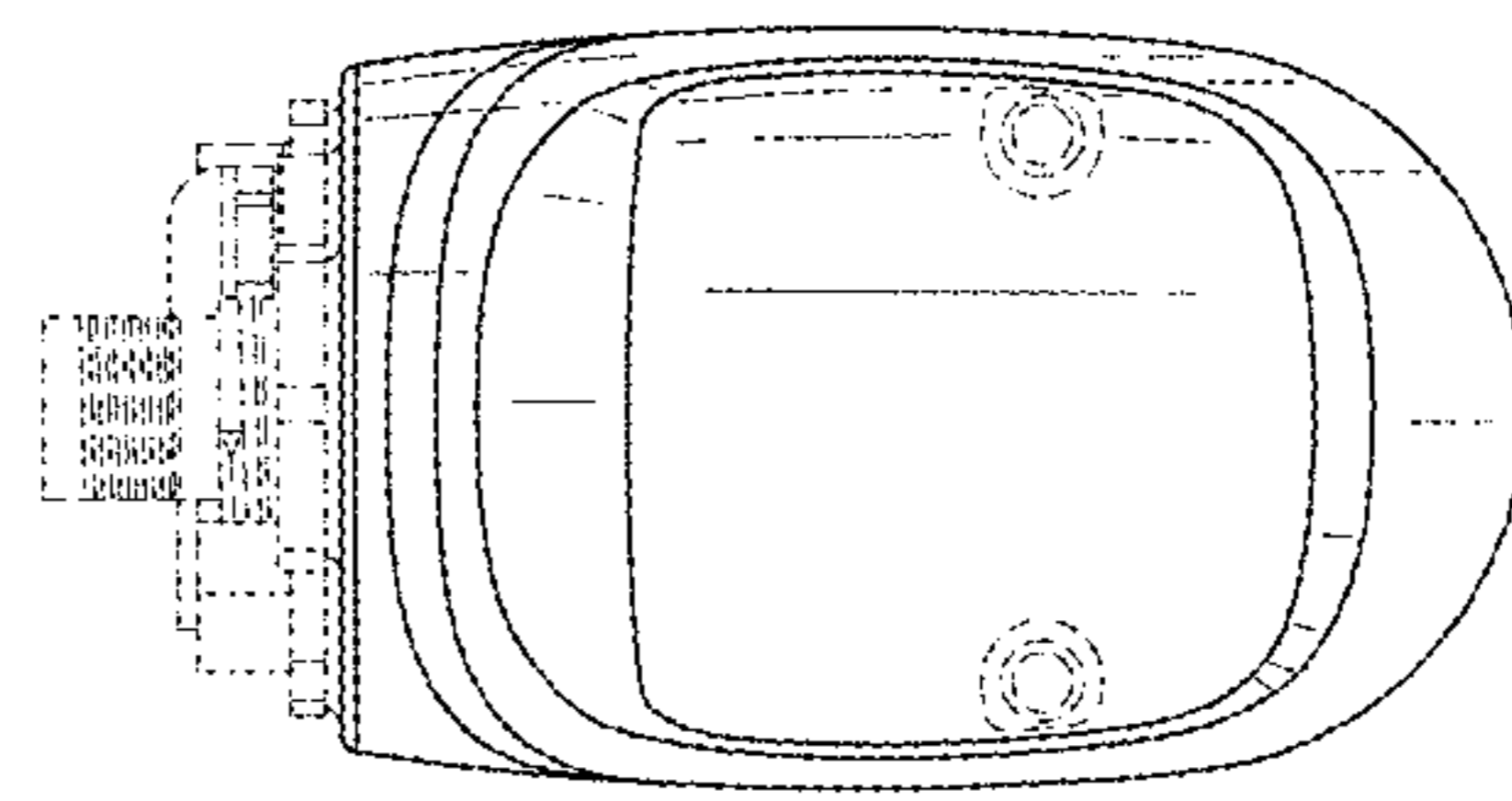


FIG. 4

FIG. 3

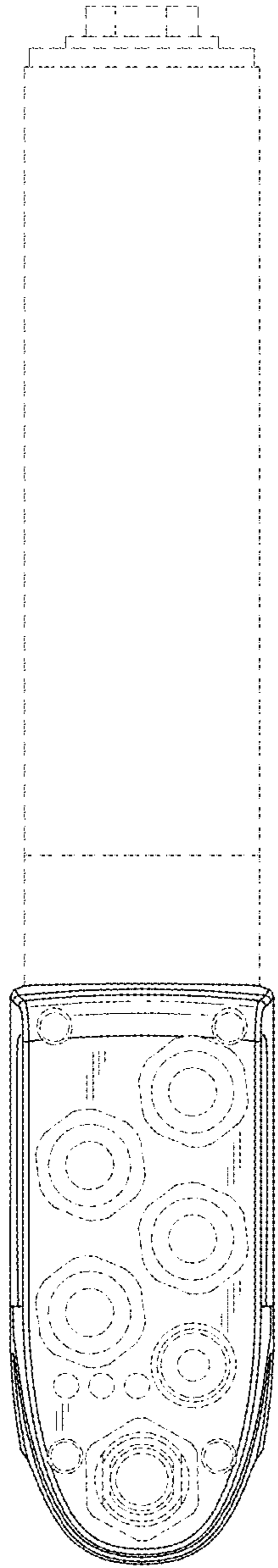


FIG. 7

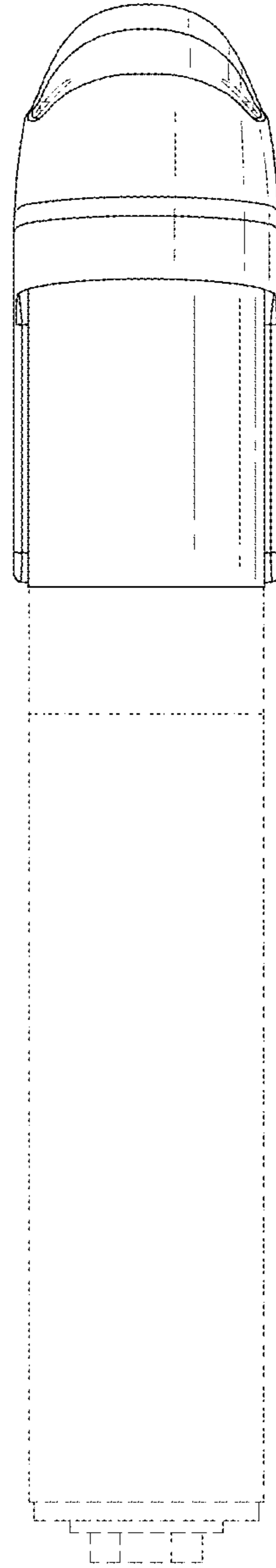


FIG. 8