



US00D922319S

(12) **United States Design Patent**
Miller et al.

(10) **Patent No.:** **US D922,319 S**
(45) **Date of Patent:** **** Jun. 15, 2021**

(54) **PORTABLE POWER CHARGER WITH
REMOVABLE CABLE CONNECTORS**

(71) Applicant: **Halo2Cloud, LLC**, Hartford, CT (US)

(72) Inventors: **Garold C. Miller**, Hartford, CT (US);
Nathan Daniel Weinstein, Hartford,
CT (US); **Troy Starkey**, Hartford, CT
(US)

(73) Assignee: **HALO2CLOUD, LLC**, Hartford, CT
(US)

(**) Term: **15 Years**

(21) Appl. No.: **29/717,057**

(22) Filed: **Dec. 13, 2019**

(51) **LOC (13) Cl.** **13-02**

(52) **U.S. Cl.**
USPC **D13/108**

(58) **Field of Classification Search**
USPC D13/103, 107-110, 118-119, 184, 199;
D14/251, 253, 432, 434
CPC .. H02J 50/00; H02J 50/10; H02J 50/12; H02J
50/80; H02J 7/025; H02J 7/005; H02J
7/0026; H02J 7/0044; H02J 7/0045; H02J
7/0013; H02J 7/0003; H02J 50/40; H02J
50/402

See application file for complete search history.

(56) **References Cited**

U.S. PATENT DOCUMENTS

D296,440 S	6/1988	Smith et al.	
D537,036 S	2/2007	Chen	
D587,267 S	2/2009	Wang	
D628,535 S *	12/2010	Cheng	D13/108
D662,050 S	6/2012	Tien	
D662,878 S	7/2012	Fahrendorff et al.	
D672,309 S	12/2012	Tien	
D674,748 S	1/2013	Ferber et al.	

D677,261 S	3/2013	Hsu et al.	
D682,196 S *	5/2013	Leung	D13/103
D682,197 S *	5/2013	Leung	D13/103
D686,153 S	7/2013	Qu	
D692,375 S	10/2013	Mamane	
D692,826 S	11/2013	Aida et al.	
D695,214 S	12/2013	Robets et al.	
D700,139 S	2/2014	Chan et al.	
D704,626 S	5/2014	Li	

(Continued)

Primary Examiner — Rosemary K Tarcza

(74) *Attorney, Agent, or Firm* — Lathrop GPM LLP

(57) **CLAIM**

The ornamental design for a portable power charger with removable cable connectors, as shown and described.

DESCRIPTION

FIG. 1 is a front, top perspective view of a portable power charger with removable cable connectors comprising a new, original and ornamental design;

FIG. 2 is a back, bottom perspective view thereof;

FIG. 3 is a front end view thereof;

FIG. 4 is a back end view thereof;

FIG. 5 is a left-hand side view thereof, with the right-hand side view being a mirror image thereof;

FIG. 6 is a top view thereof;

FIG. 7 is a bottom view thereof;

FIG. 8 is a front, top perspective view of a portable power charger with removable cable connectors comprising a second embodiment of a new, original and ornamental design with cables partially removed;

FIG. 9 is a back, bottom perspective view thereof;

FIG. 10 is a front end view thereof;

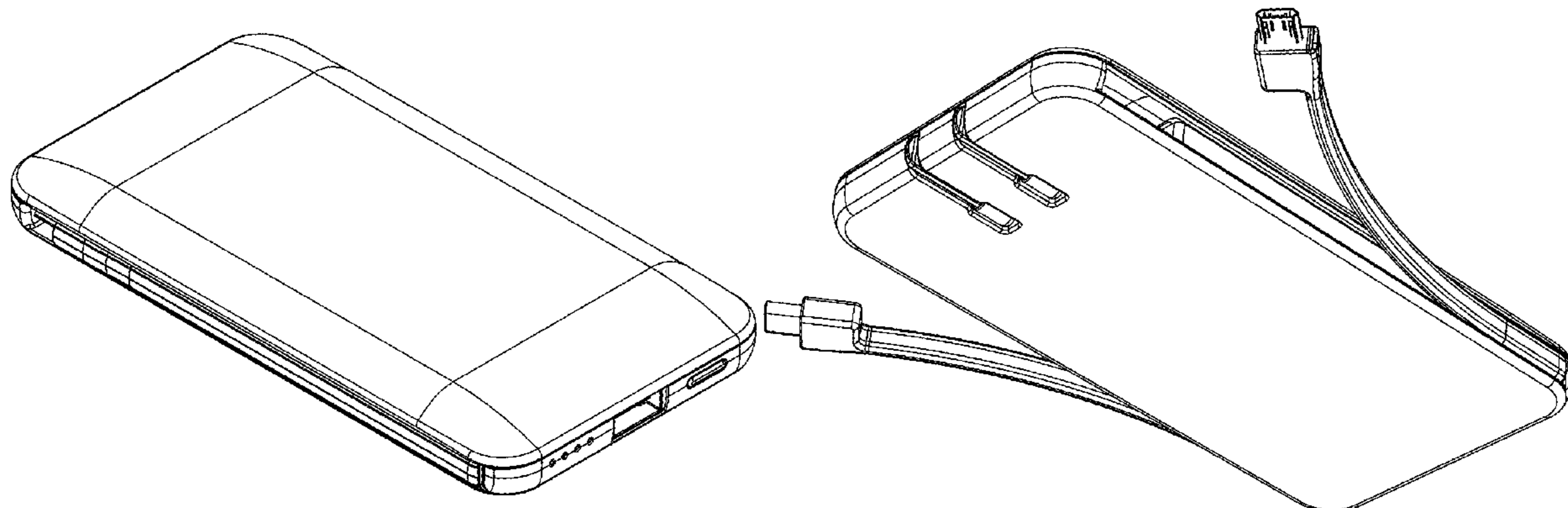
FIG. 11 is a back end view thereof;

FIG. 12 is a left-hand side view thereof, with the right-hand side view being a mirror image thereof;

FIG. 13 is a top view thereof; and,

FIG. 14 is a bottom view thereof.

1 Claim, 6 Drawing Sheets



(56)

References Cited

U.S. PATENT DOCUMENTS

D705,782 S	5/2014	McParland et al.	
D709,026 S	7/2014	Lee et al.	
D713,785 S	9/2014	Tehrani	
D713,786 S *	9/2014	Wen	D13/108
D721,646 S *	1/2015	Kim	D13/103
D722,961 S *	2/2015	Lin	D13/108
D727,257 S *	4/2015	Miller	D13/108
D742,311 S *	11/2015	Miller	D13/108
D742,312 S *	11/2015	Gupta	D13/108
9,197,087 B2	11/2015	Lai	
D749,596 S	2/2016	Khodapanah et al.	
D764,404 S *	8/2016	Lau	D13/103
D765,070 S	8/2016	Franklin	
D776,050 S	1/2017	Awad et al.	
D782,974 S	4/2017	Ju	
D783,525 S *	4/2017	Gupta	D13/108
D789,358 S	6/2017	Yang et al.	
9,689,527 B2	6/2017	Franklin	
D791,697 S	7/2017	Precheur	
D792,416 S	7/2017	Tsai	
D797,663 S *	9/2017	Miller	D13/107
D804,411 S	12/2017	Lentine	
D823,239 S *	7/2018	Gupta	D13/103
D836,543 S *	12/2018	Sun	D13/108
D853,322 S *	7/2019	Xu	D13/108
D853,959 S *	7/2019	Miller	D13/108
D877,070 S *	3/2020	Lemelson	D13/108
D886,050 S *	6/2020	Zhang	D13/108
D888,658 S *	6/2020	Urasini	D13/107
2006/0052144 A1	3/2006	Seil et al.	
2010/0078536 A1	4/2010	Galvin	
2010/0294818 A1	11/2010	LaFargue et al.	
2011/0291614 A1	12/2011	Yeh	
2013/0026983 A1	1/2013	Yamamoto et al.	
2013/0082543 A1	4/2013	Tang	
2013/0150134 A1	6/2013	Pliner et al.	
2013/0307470 A1	11/2013	Watanabe et al.	
2013/0320913 A1	12/2013	Chen	
2014/0111159 A1	4/2014	Siminoff et al.	
2014/0132206 A1	5/2014	Zhu	
2015/0015196 A1	1/2015	Ormesher et al.	
2015/0028797 A1 *	1/2015	Miller	H02J 7/0045 320/103
2016/0003270 A1	1/2016	Franklin	
2016/0072338 A1	3/2016	Makwinski et al.	
2016/0111692 A1	4/2016	Morita et al.	
2018/0269702 A1 *	9/2018	Miller	H02J 7/0068
2020/0259368 A1 *	8/2020	Miller	H02J 7/0042

* cited by examiner

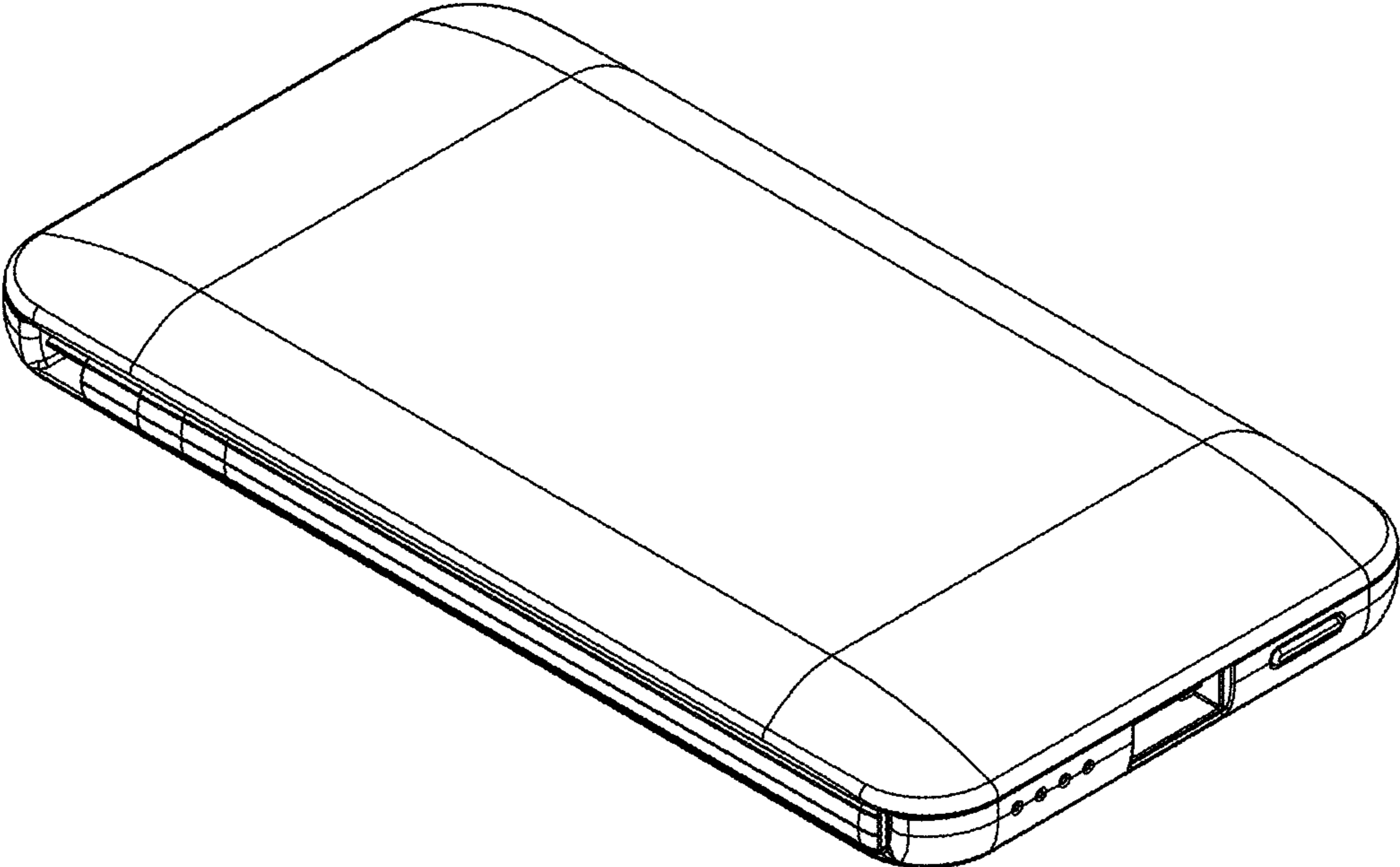


FIG. 1

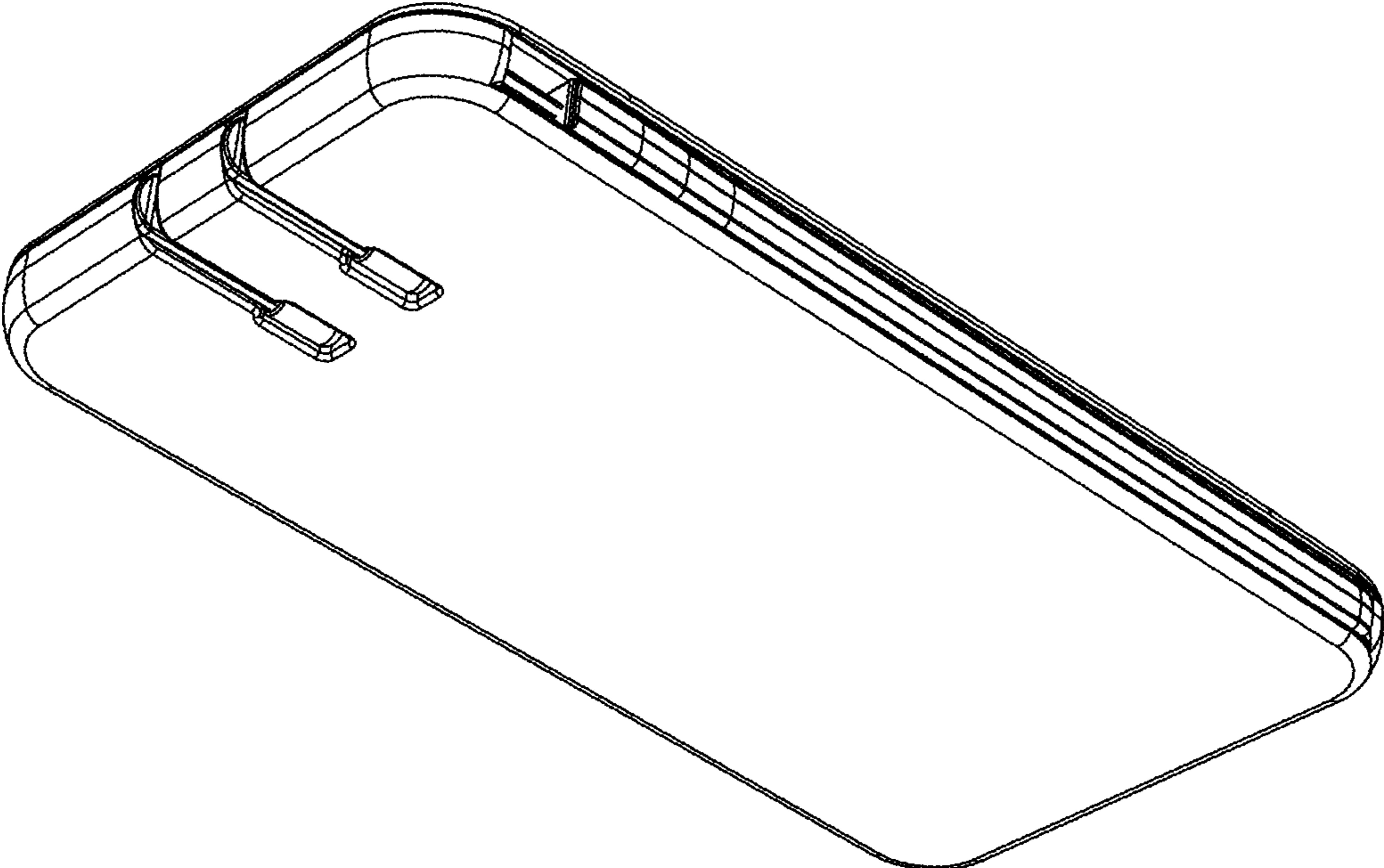


FIG. 2

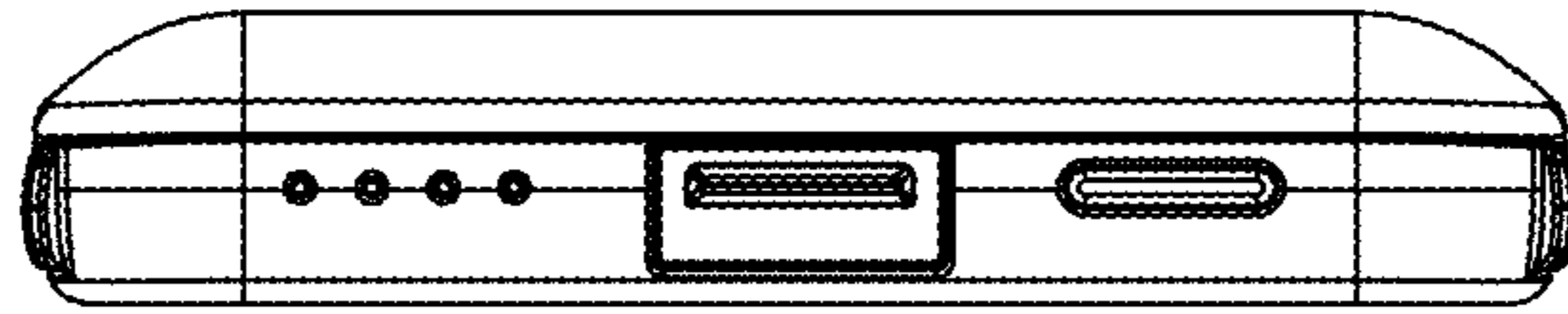


FIG. 3

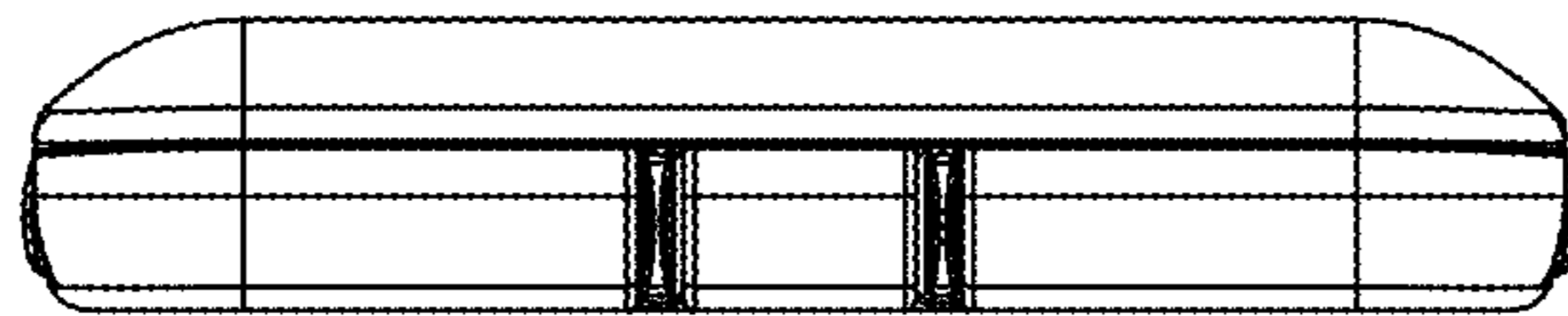


FIG. 4

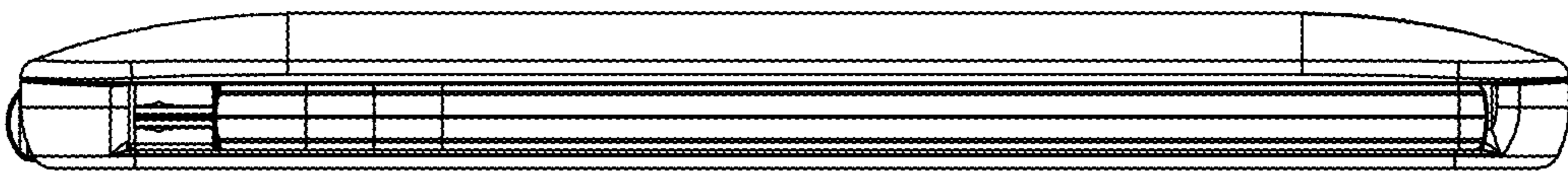


FIG. 5

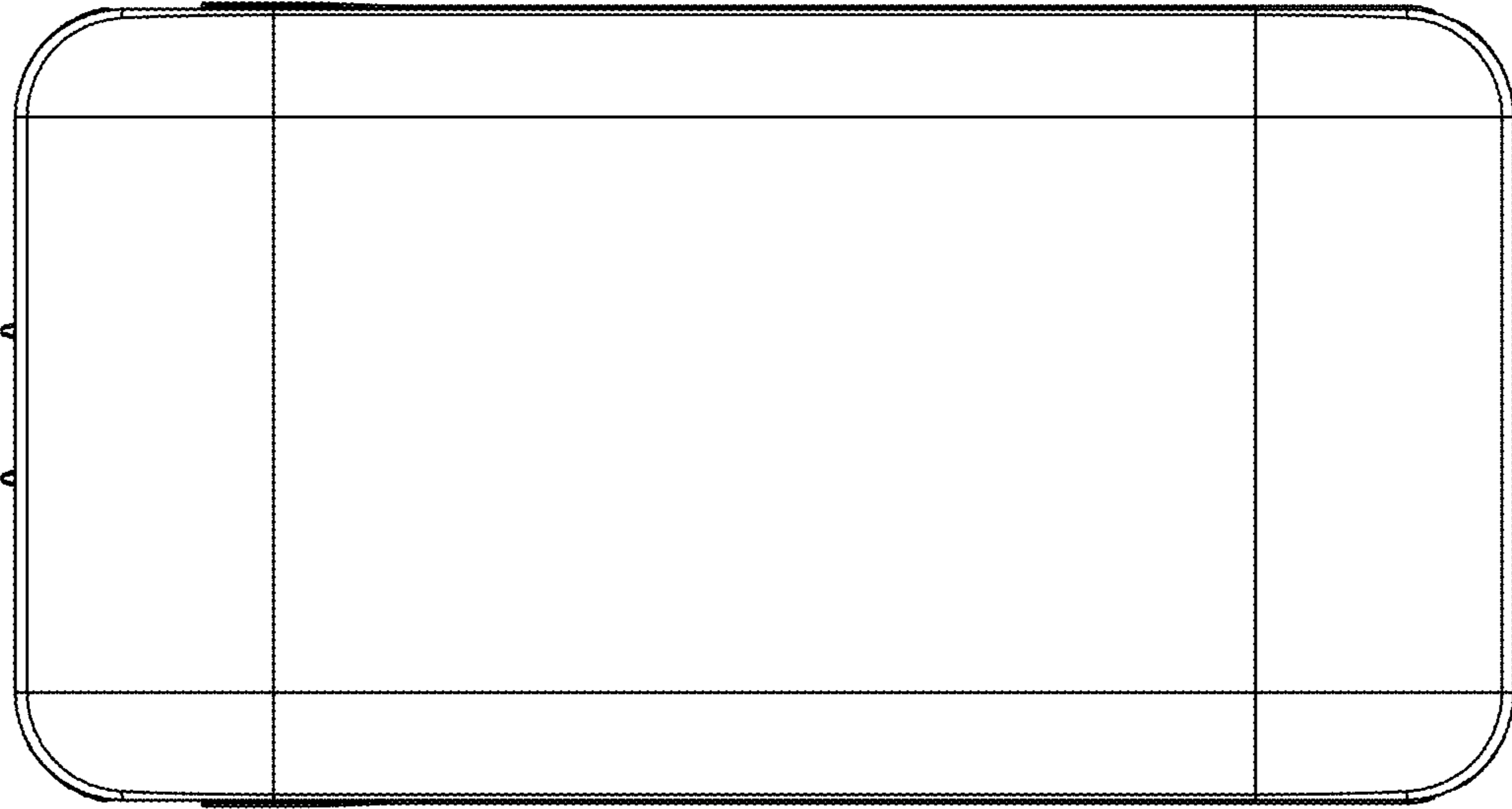


FIG. 6

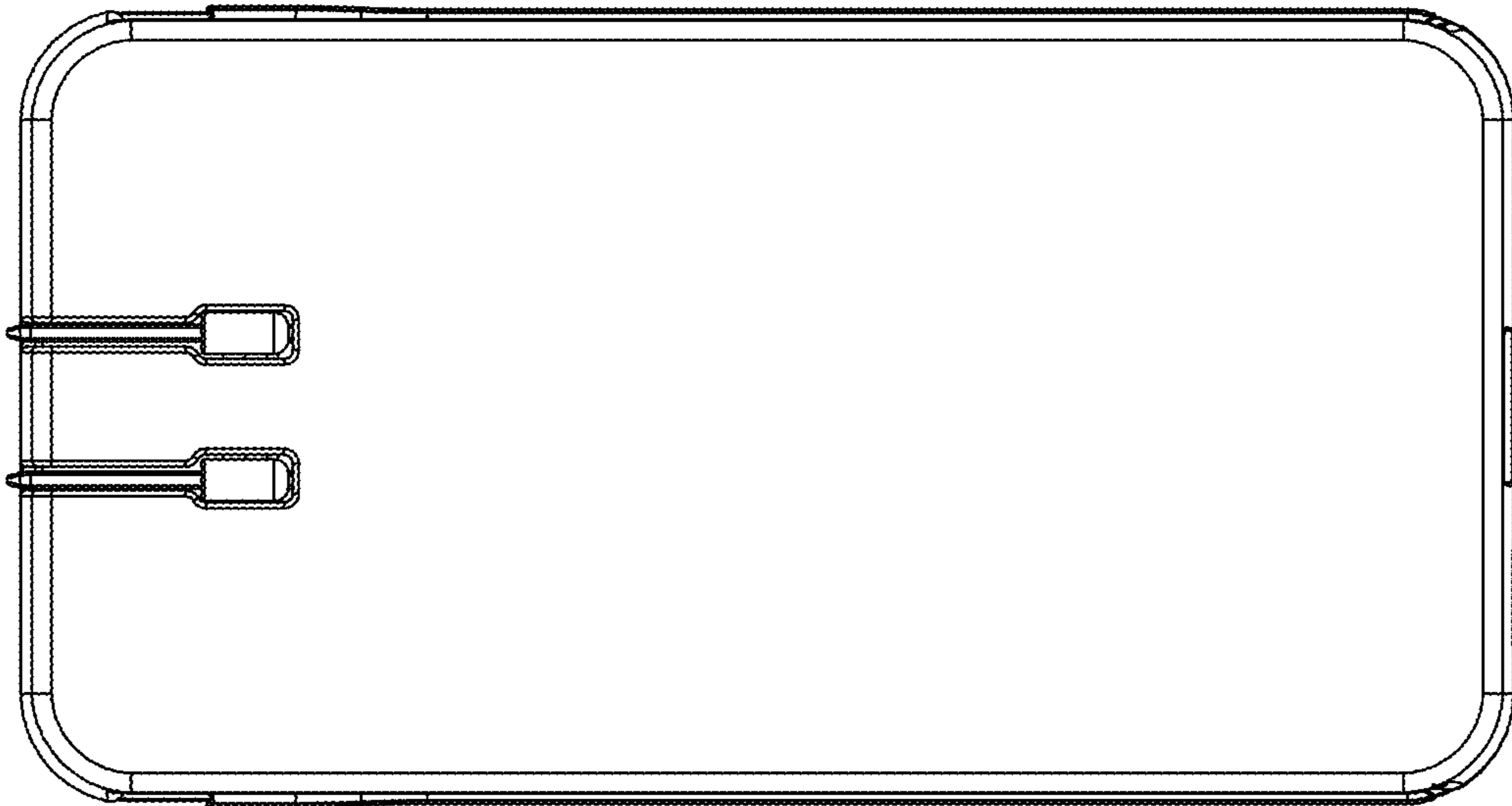


FIG. 7

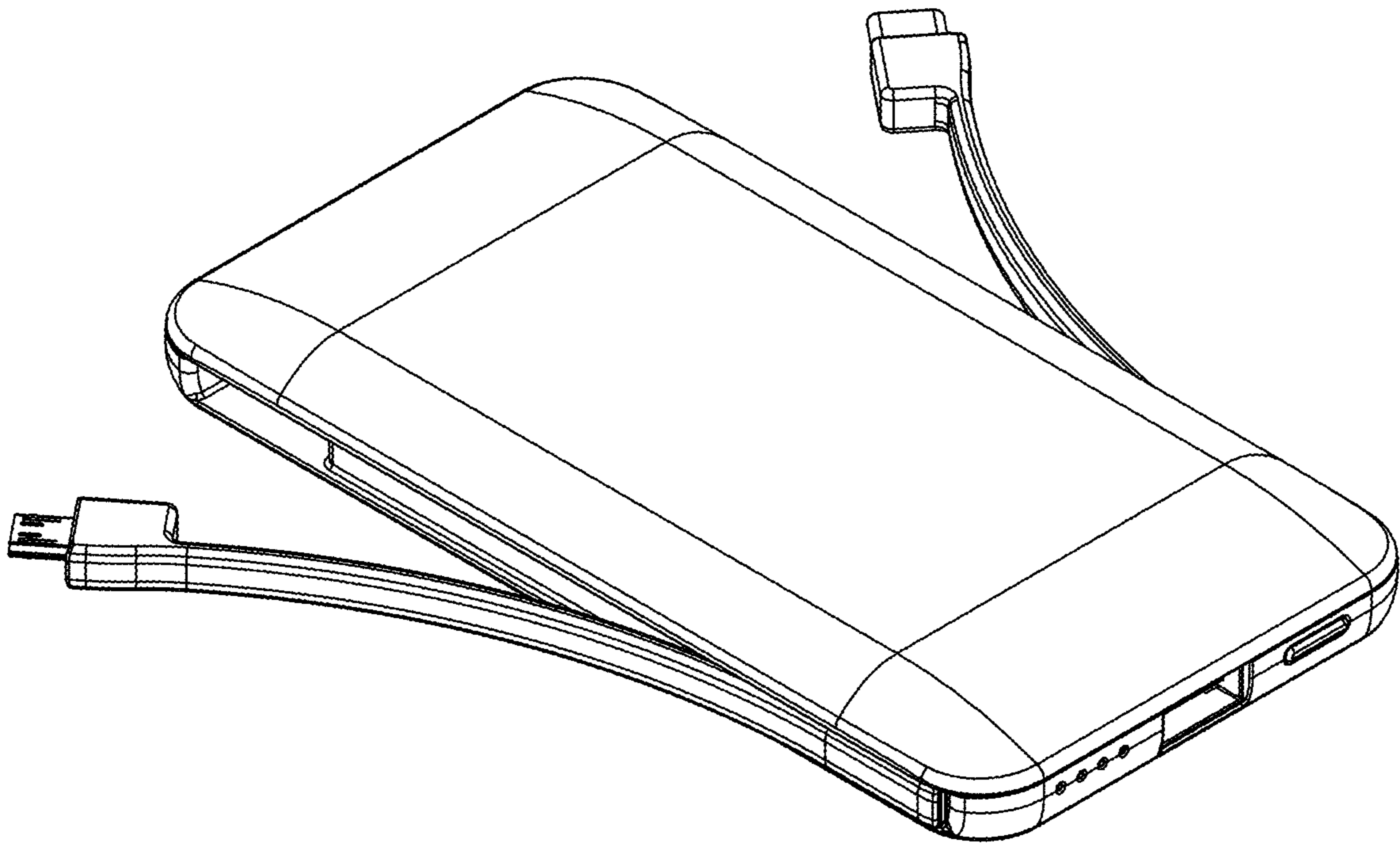


FIG. 8

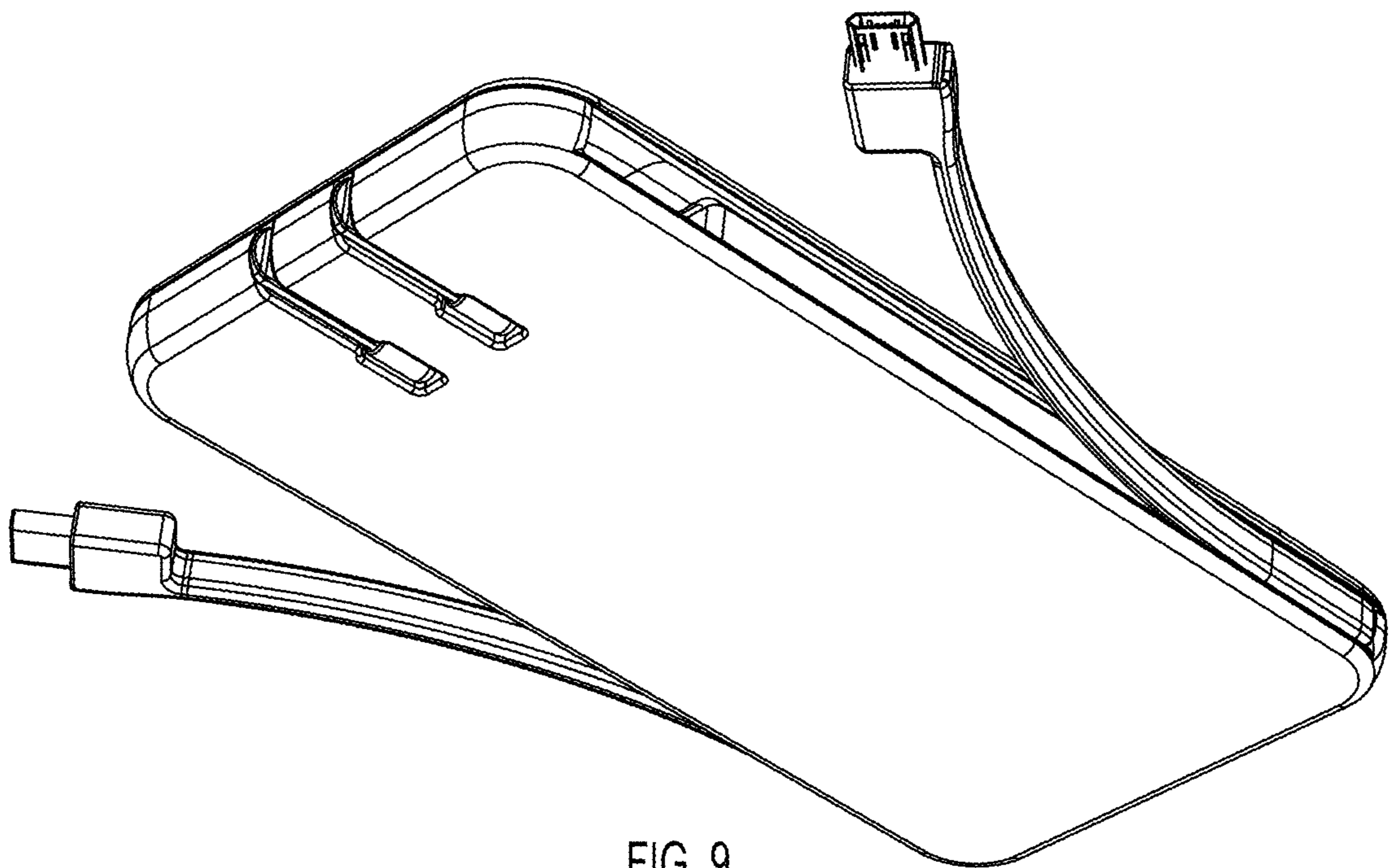


FIG. 9

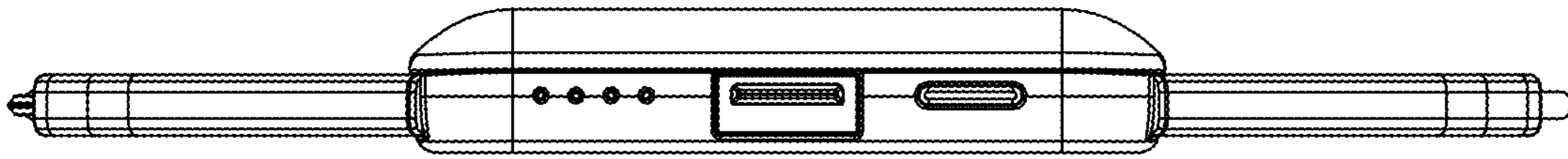


FIG. 10

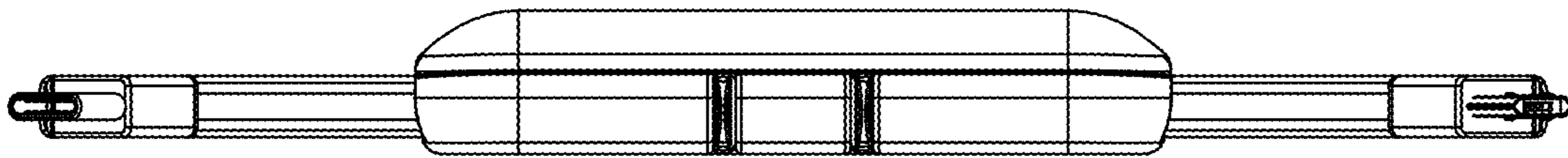


FIG. 11

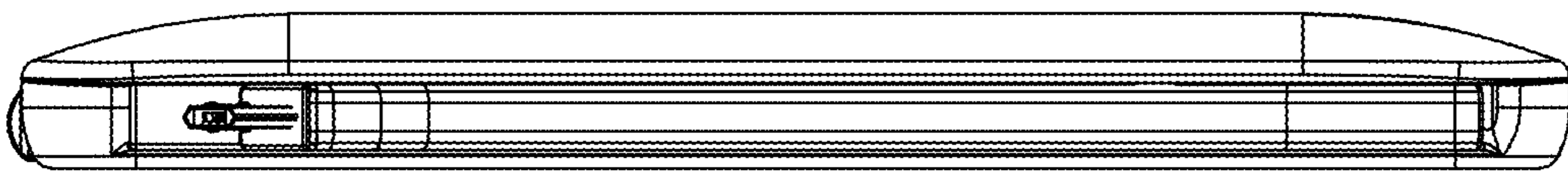


FIG. 12

