



US00D922317S

(12) **United States Design Patent**
Starkey et al.

(10) **Patent No.:** **US D922,317 S**

(45) **Date of Patent:** **** Jun. 15, 2021**

(54) **PORTABLE POWER CHARGER**

(71) Applicant: **Halo2Cloud, LLC**, Hartford, CT (US)

(72) Inventors: **Troy Starkey**, Hartford, CT (US);
Patrick Keenan, George Town (KY)

(73) Assignee: **HALO2CLOUD, LLC**, Hartford, CT (US)

(**) Term: **15 Years**

(21) Appl. No.: **29/716,884**

(22) Filed: **Dec. 12, 2019**

(51) **LOC (13) Cl.** **13-02**

(52) **U.S. Cl.**
USPC **D13/108**

(58) **Field of Classification Search**
USPC D13/103, 107-110, 118-119, 184, 199;
D14/251, 253, 432, 434
CPC .. H02J 50/00; H02J 50/10; H02J 50/12; H02J
50/80; H02J 7/025; H02J 7/005; H02J
7/0026; H02J 7/0044; H02J 7/0045; H02J
7/0013; H02J 7/0003; H02J 50/40; H02J
50/402

See application file for complete search history.

(56) **References Cited**

U.S. PATENT DOCUMENTS

D600,640 S *	9/2009	Stein	D13/103
D601,955 S	10/2009	Ekmekdje		
D634,707 S	3/2011	Hosler		
D645,818 S	9/2011	Guccione		
D656,151 S	3/2012	Maus		
D659,094 S	5/2012	Brand		
D680,063 S *	4/2013	Sasada	D13/103
D685,326 S	7/2013	Kim		
D694,706 S	12/2013	Kuo		
D701,489 S *	3/2014	Symons	D13/108
D711,822 S *	8/2014	Emano	D13/108
D725,591 S *	3/2015	Chien	D13/108

D751,985 S *	3/2016	Curry	D13/103
D760,647 S *	7/2016	Chen	D13/103
D763,792 S	8/2016	Park		
D782,977 S *	4/2017	Zhang	D13/108
D813,803 S *	3/2018	Massar	D13/108
D814,412 S *	4/2018	Georgiades	D13/108
D816,606 S *	5/2018	Georgiades	D13/108

(Continued)

Primary Examiner — Rosemary K Tarcza

(74) *Attorney, Agent, or Firm* — Lathrop GPM LLP

(57) **CLAIM**

The ornamental design for a portable power charger, as shown and described.

DESCRIPTION

FIG. 1 is a front, top, right-hand perspective view of a first embodiment of a portable power charger comprising a new, original and ornamental design;

FIG. 2 is a front, top, left-hand perspective view thereof;

FIG. 3 is a top view thereof;

FIG. 4 is a bottom view thereof;

FIG. 5 is a front end view thereof;

FIG. 6 is a back end view thereof;

FIG. 7 is a left-hand side view thereof;

FIG. 8 is a right-hand side view thereof;

FIG. 9 is a front, top, right-hand perspective view of a second embodiment of a portable power charger comprising a new, original and ornamental design;

FIG. 10 is a front, top, left-hand perspective view thereof;

FIG. 11 is a top view thereof;

FIG. 12 is a bottom view thereof;

FIG. 13 is a front end view thereof;

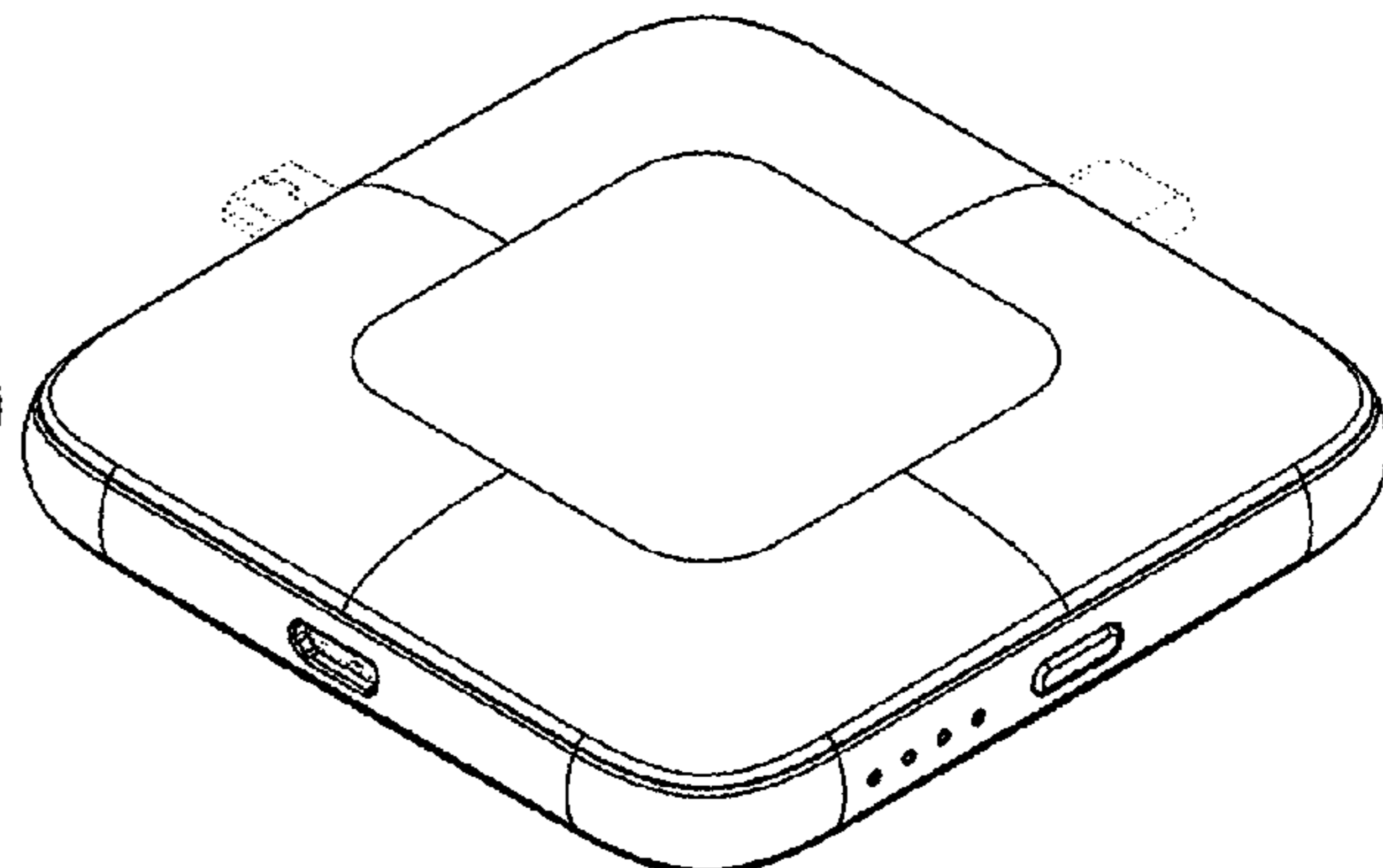
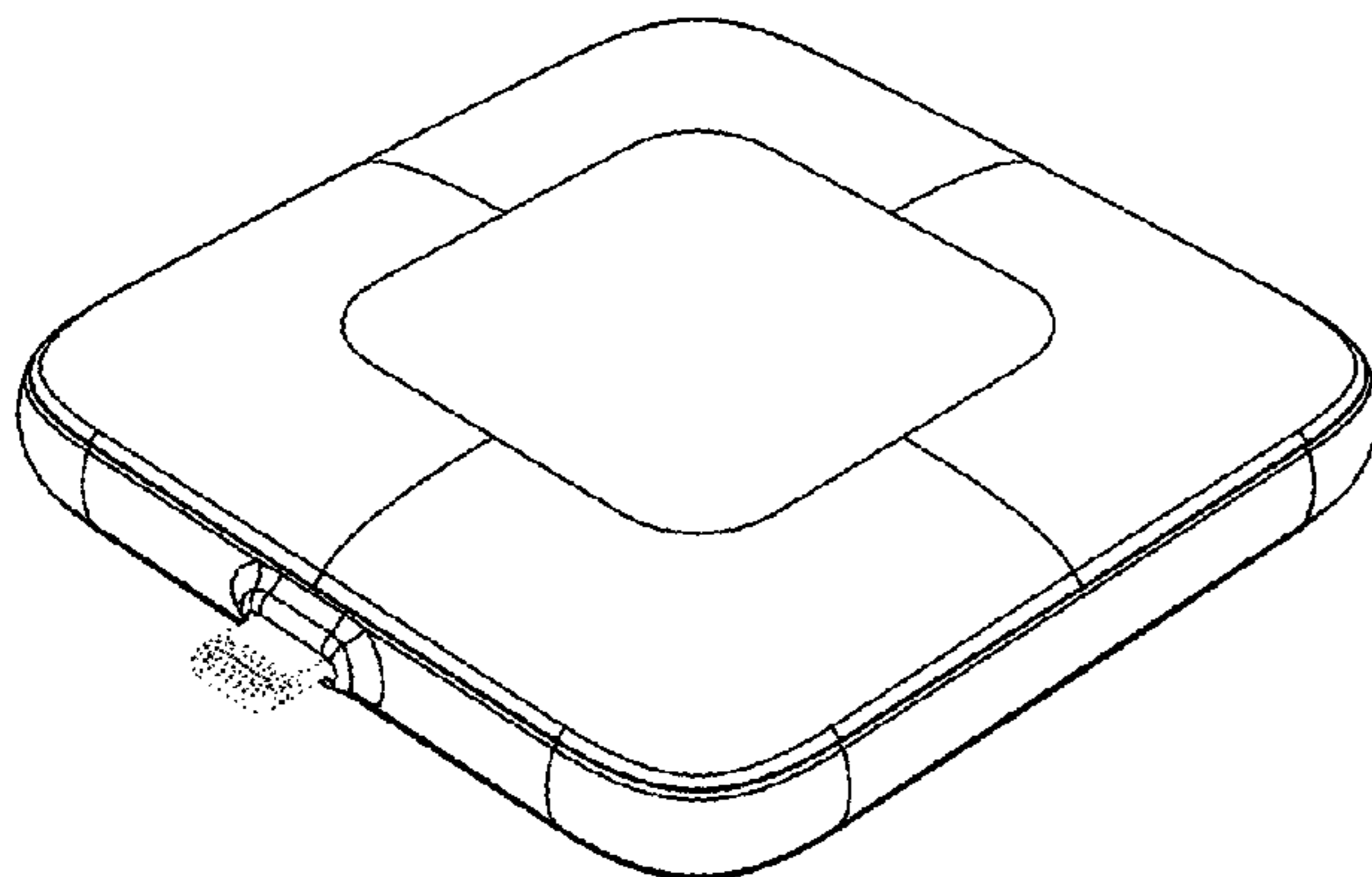
FIG. 14 is a back end view thereof;

FIG. 15 is a left-hand side view thereof; and,

FIG. 16 is a right-hand side view thereof.

The broken lines shown in the drawings are included to illustrate portions of the portable power charger that form no part of the claimed design.

1 Claim, 6 Drawing Sheets



(56)

References Cited

U.S. PATENT DOCUMENTS

D821,309 S	*	6/2018	Barnard	D13/108
D823,239 S	*	7/2018	Gupta	D13/103
D864,861 S	*	10/2019	Roberts	D13/108
D865,666 S	*	11/2019	Roberts	D13/108
D865,667 S	*	11/2019	Roberts	D13/108
D869,392 S	*	12/2019	Roberts	D13/108
D875,041 S	*	2/2020	Chen	D13/108
D881,121 S	*	4/2020	Roberts	D13/108
D883,209 S	*	5/2020	Liao	D13/110
D886,050 S	*	6/2020	Zhang	D13/108
D887,974 S	*	6/2020	Chen	D13/108
D897,287 S	*	9/2020	Georgiades	D13/108
D898,665 S	*	10/2020	Georgiades	D13/108
D906,959 S	*	1/2021	Turksu	D13/108

* cited by examiner

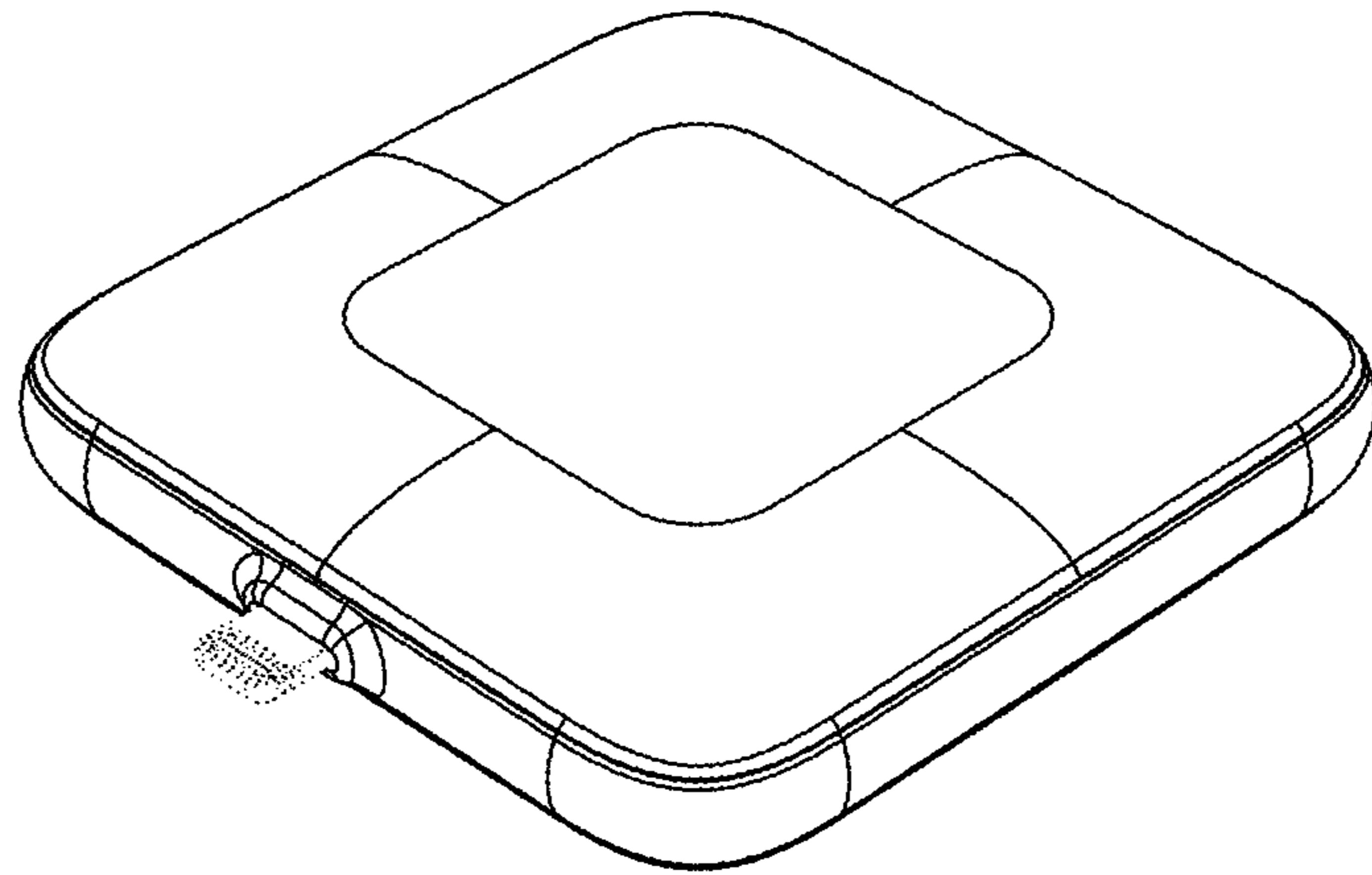


FIG. 1

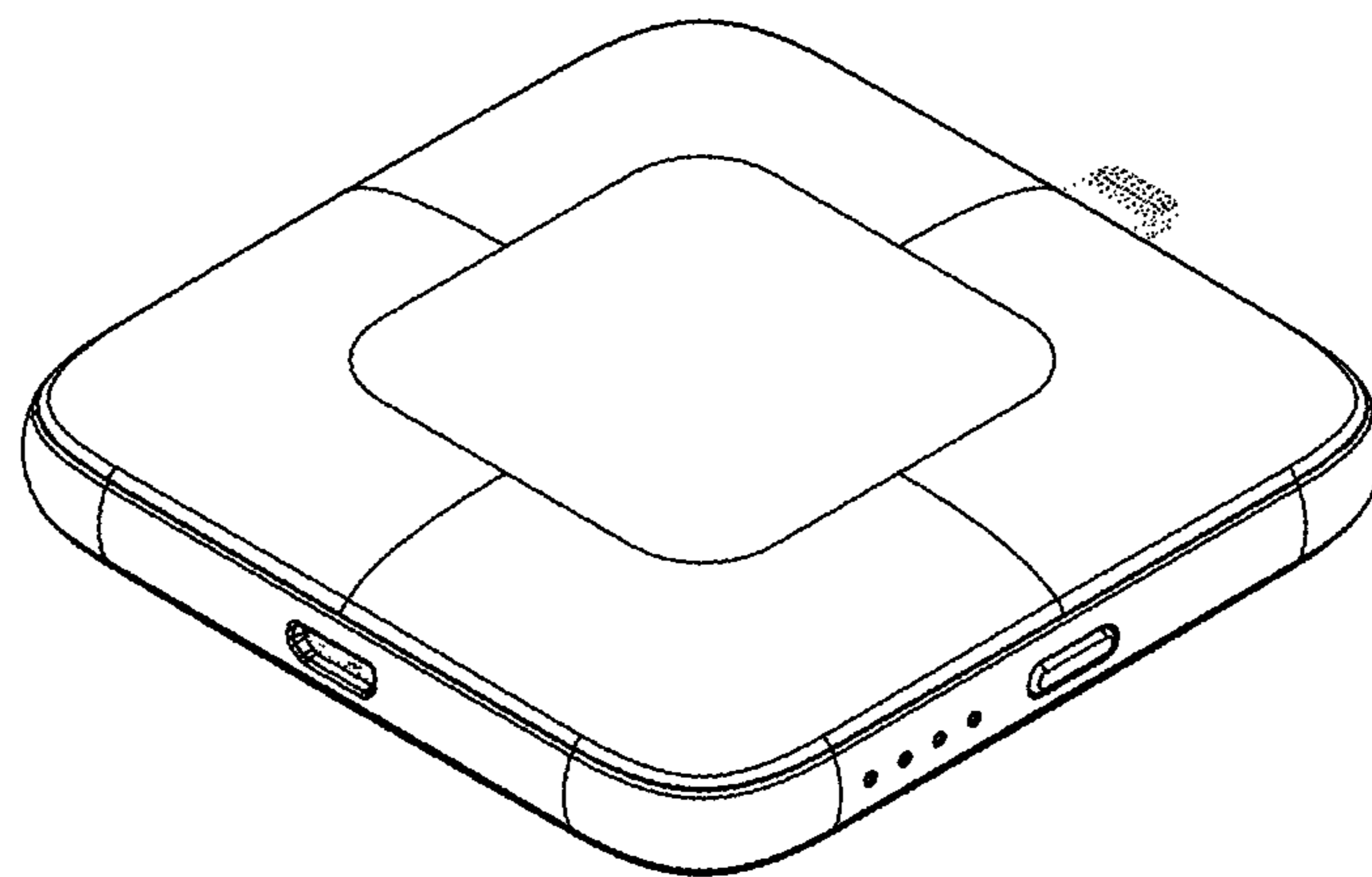


FIG. 2

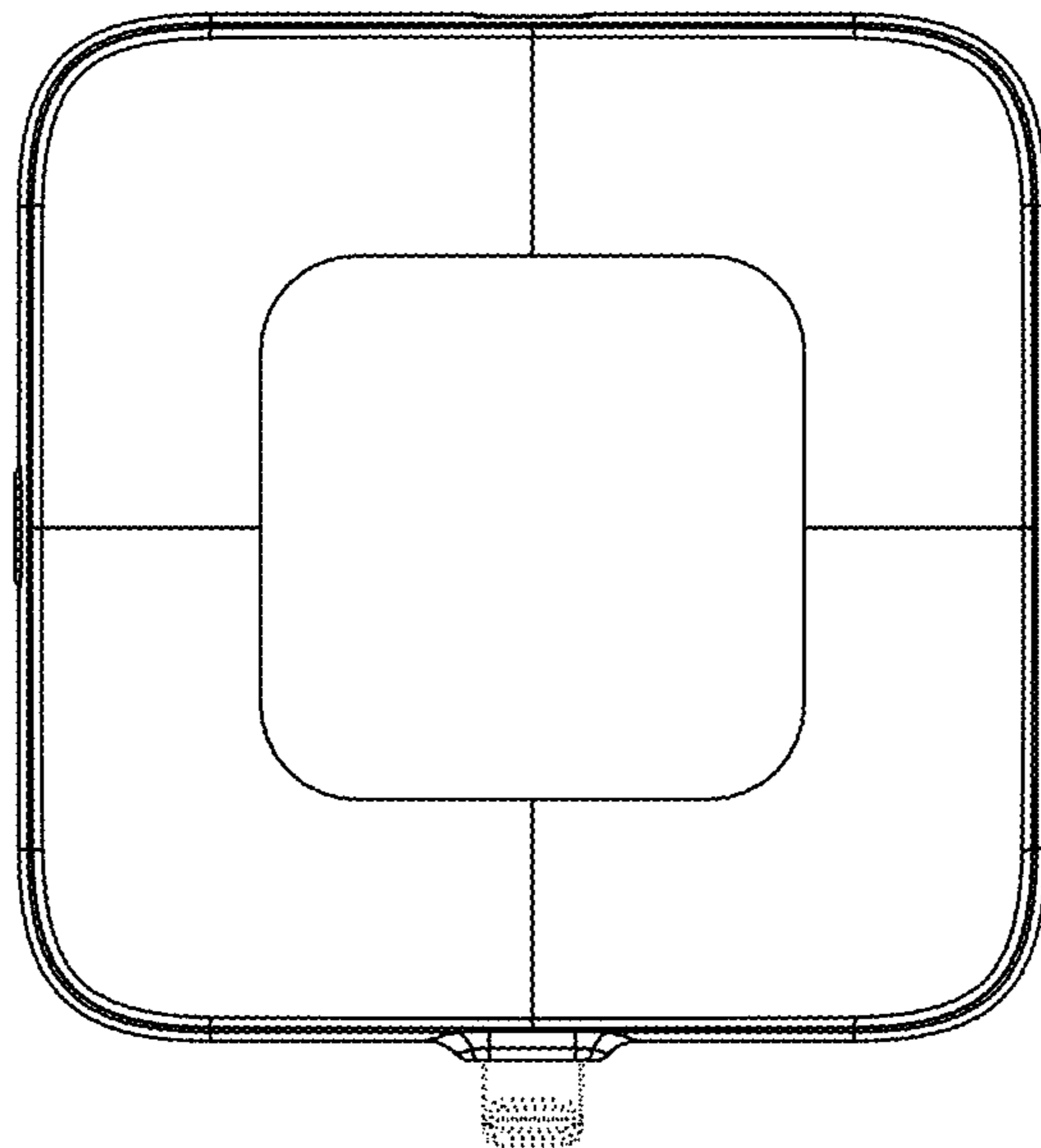


FIG. 3

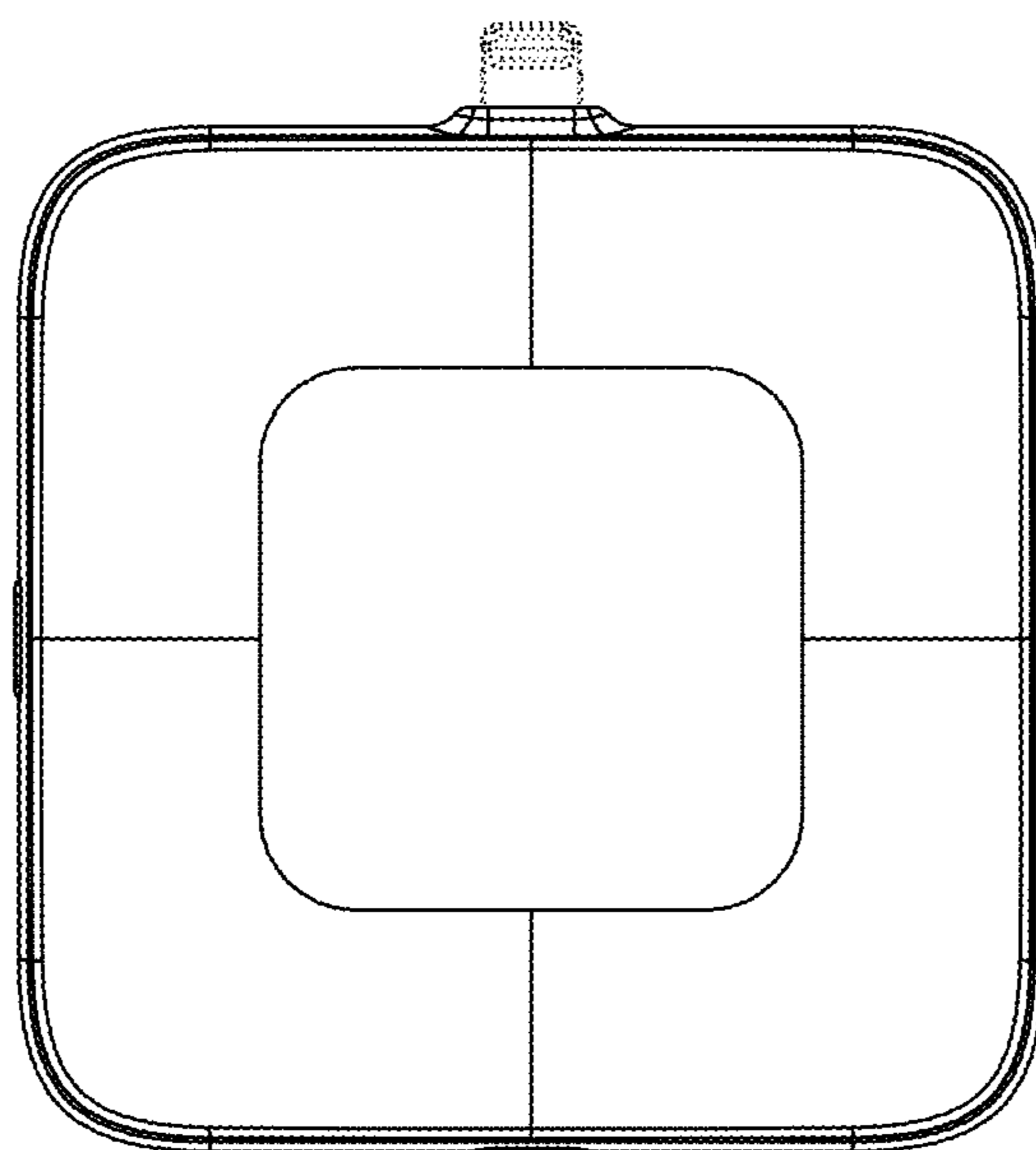


FIG. 4

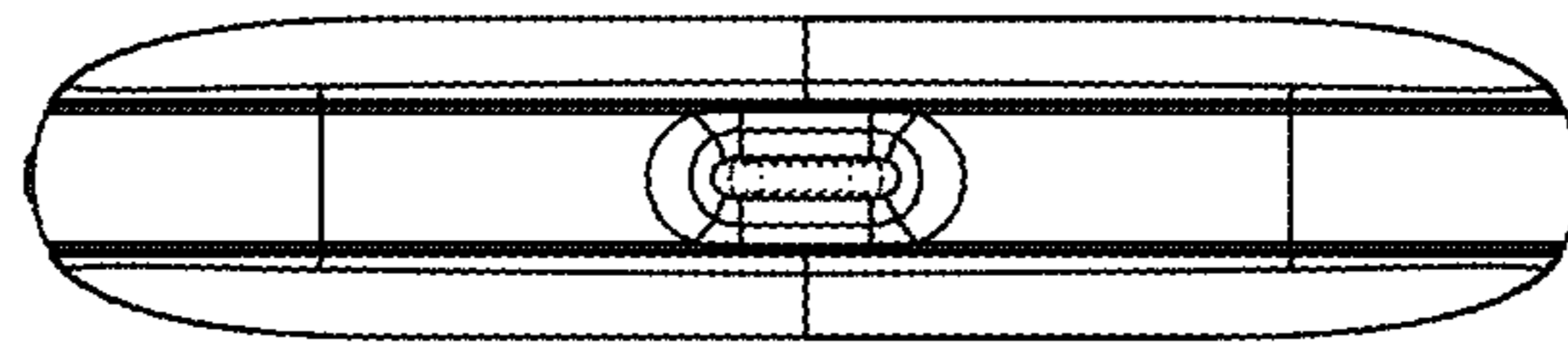


FIG. 5

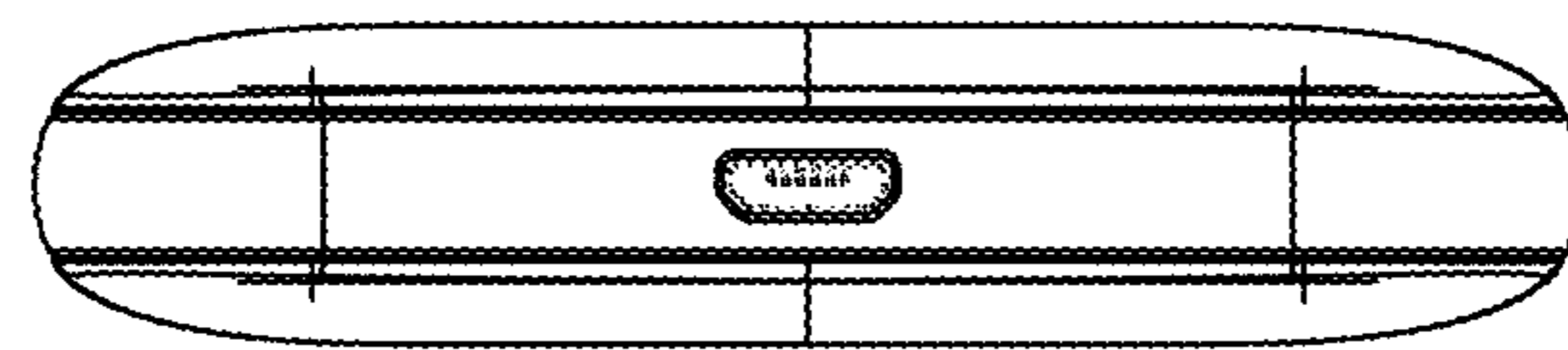


FIG. 6

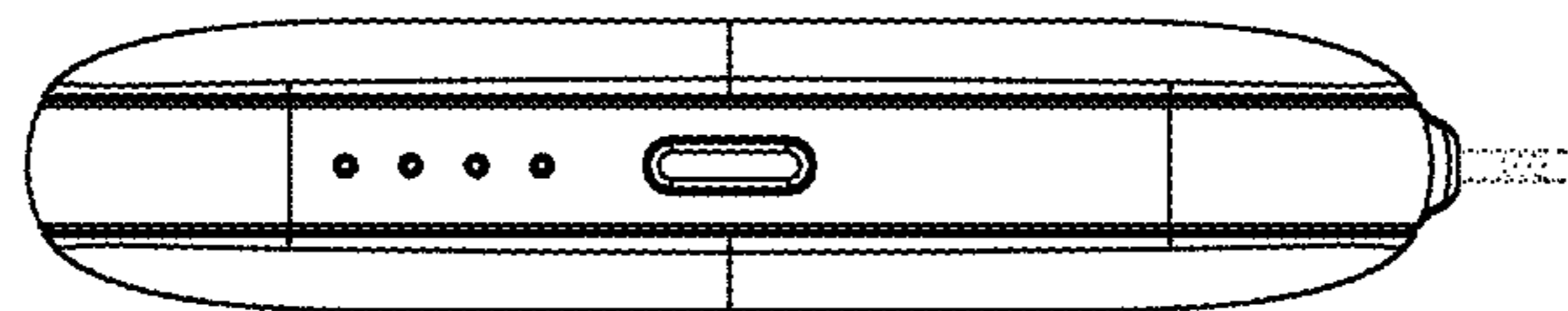


FIG. 7

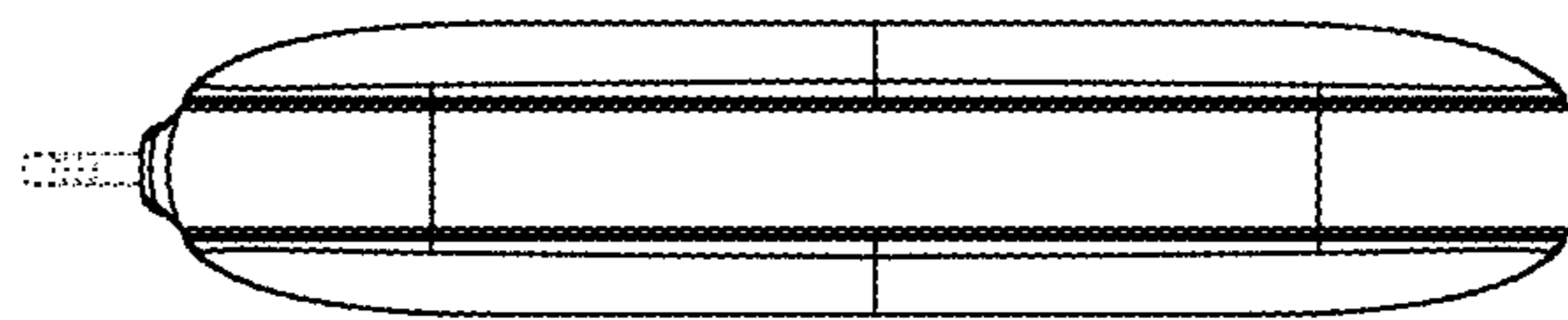


FIG. 8

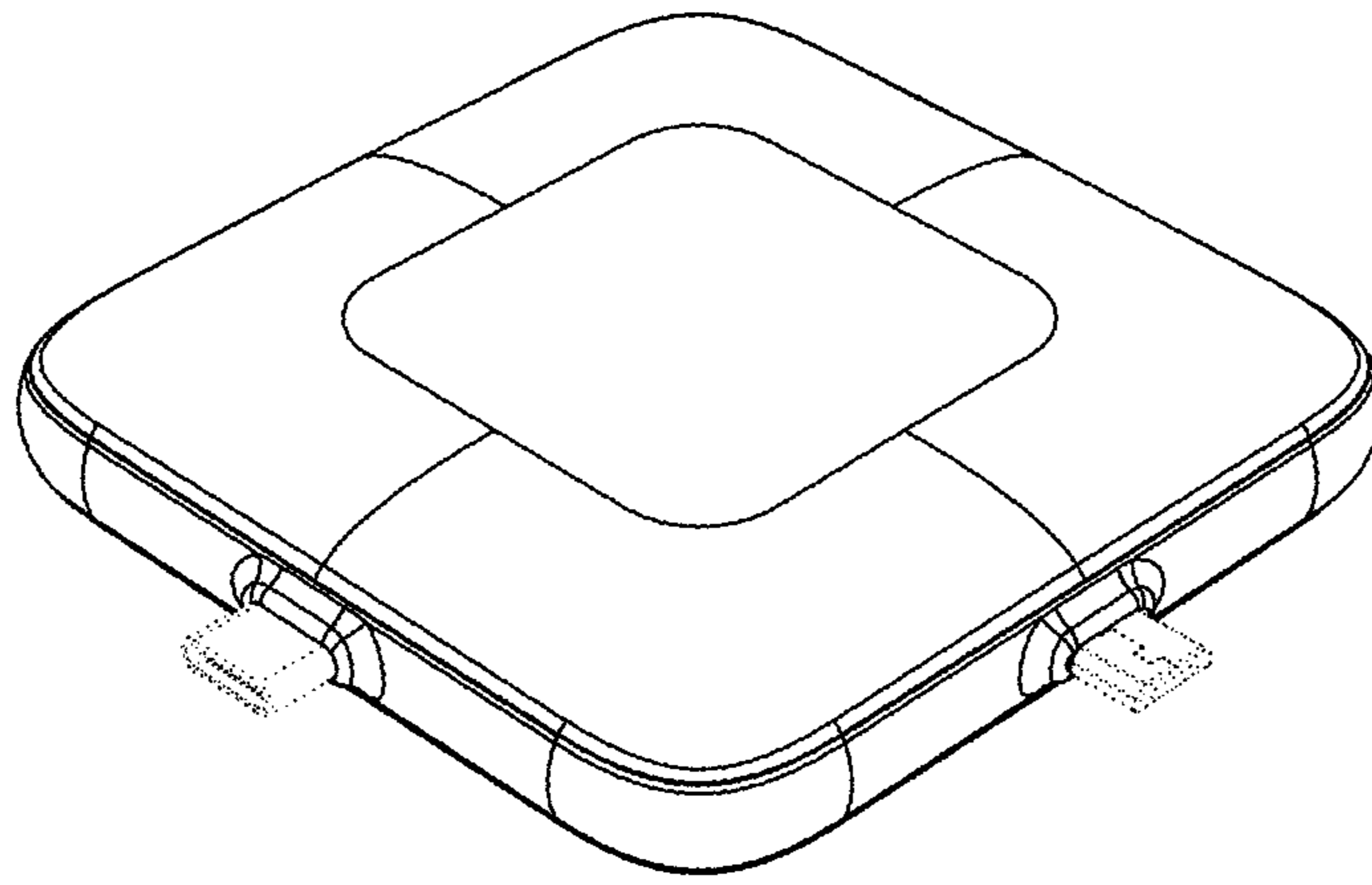


FIG. 9

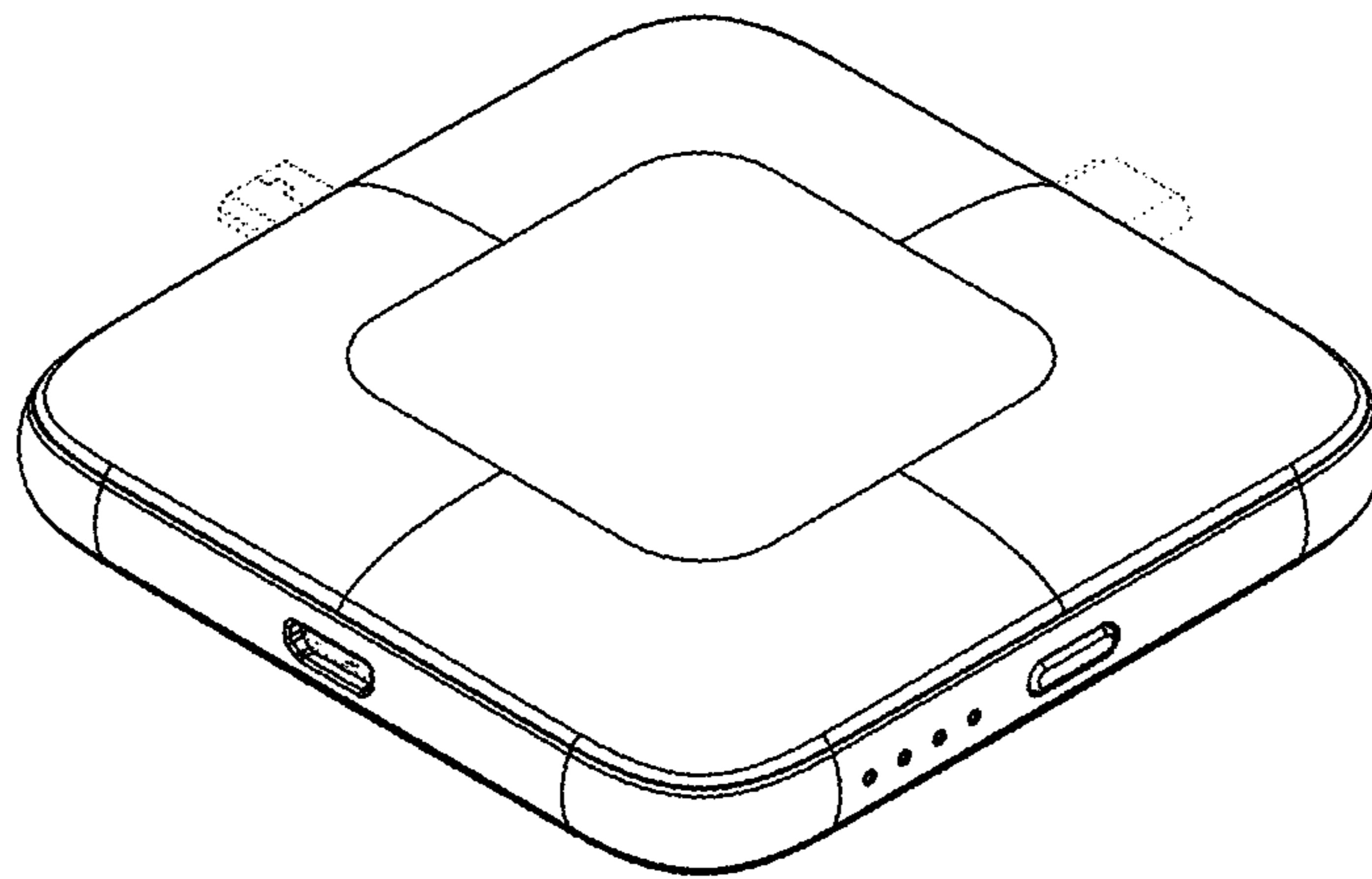


FIG. 10

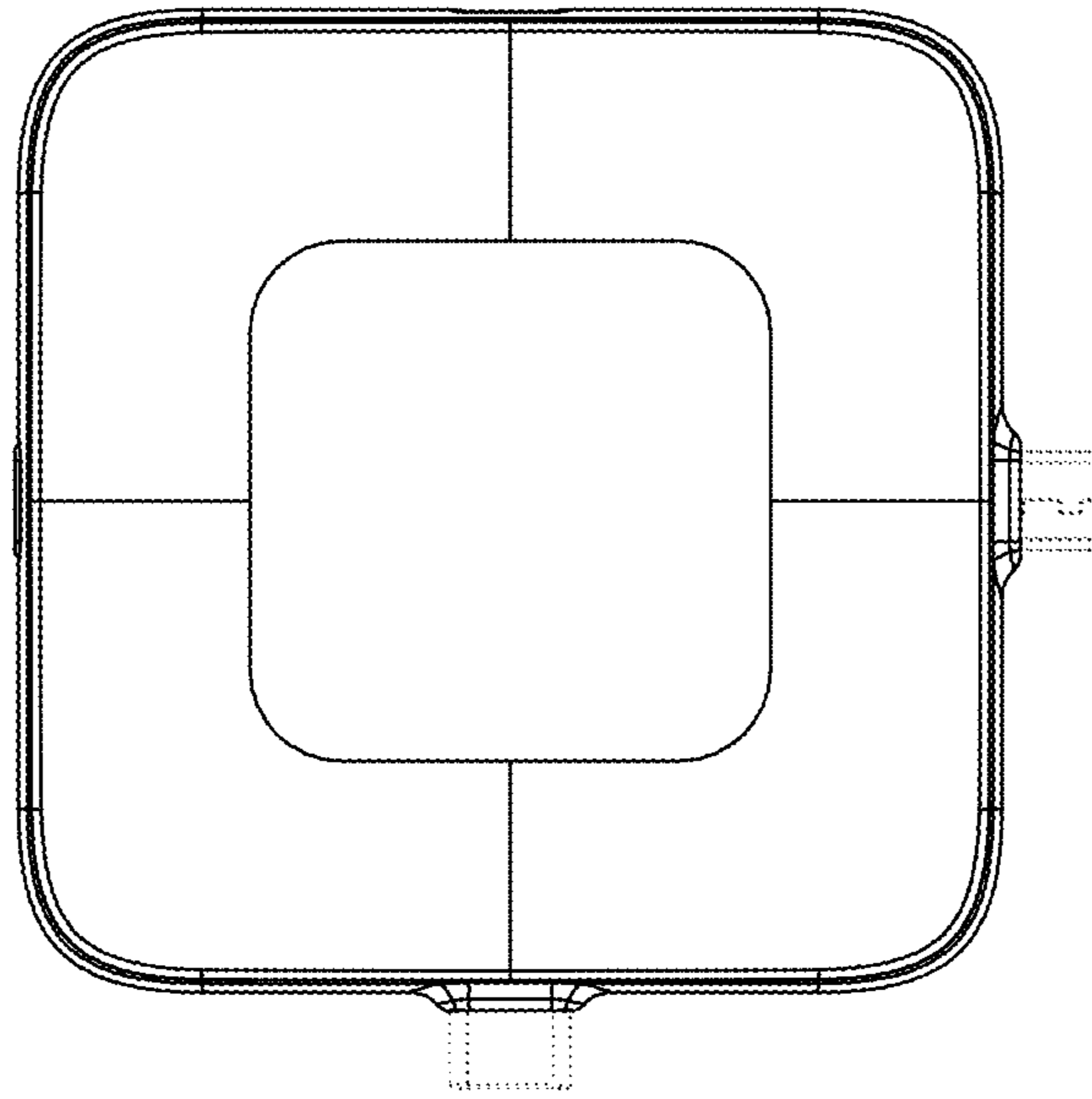


FIG. 11

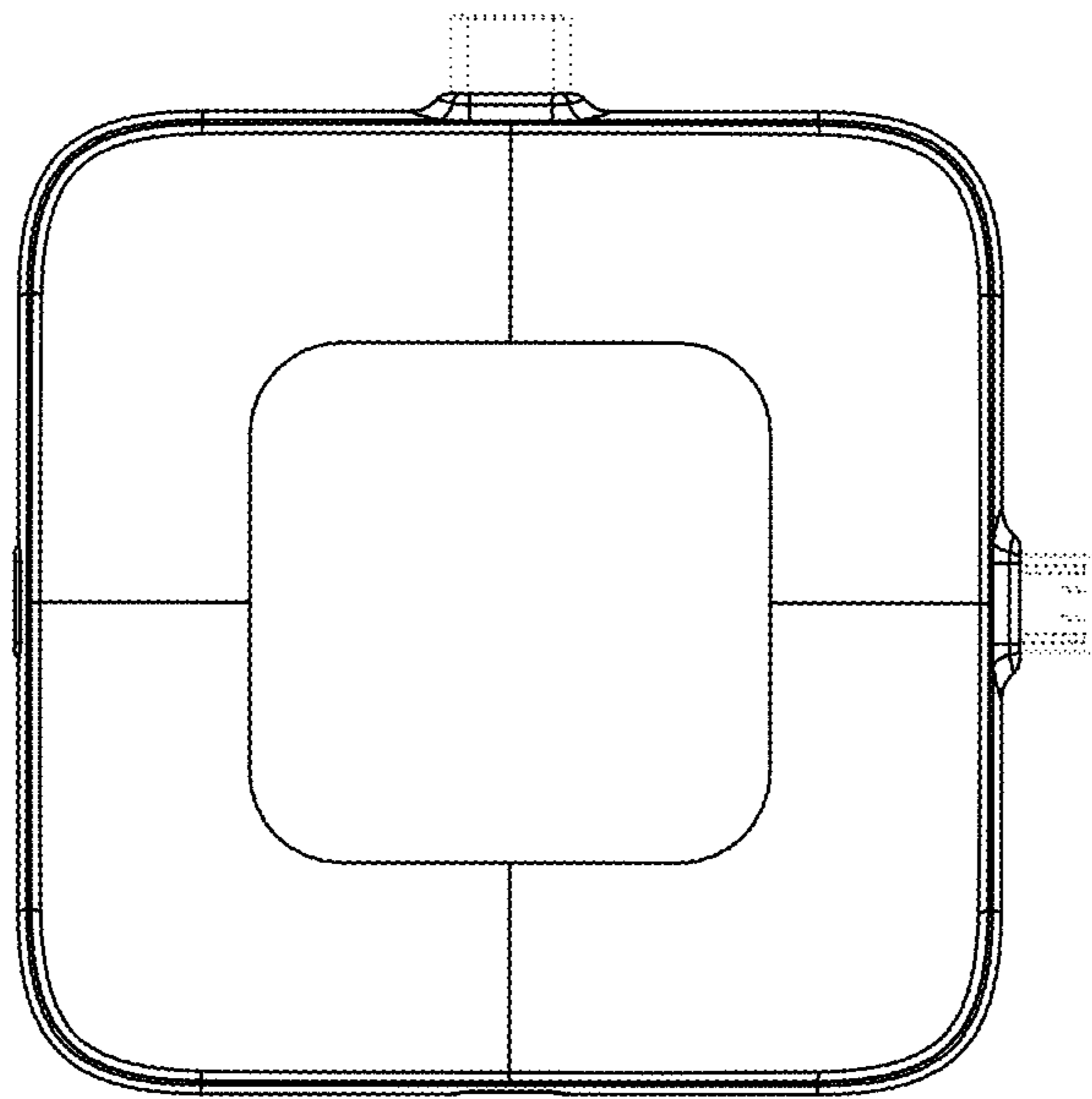


FIG. 12

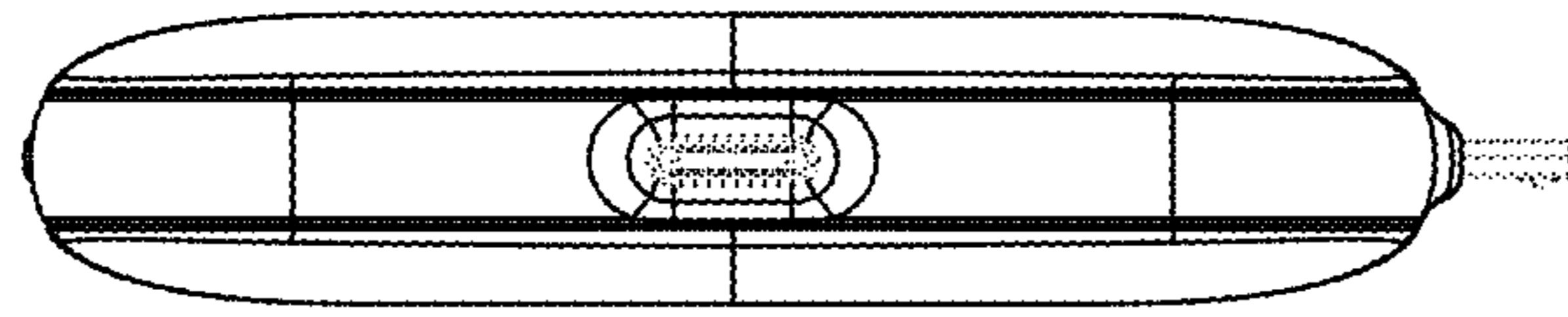


FIG. 13

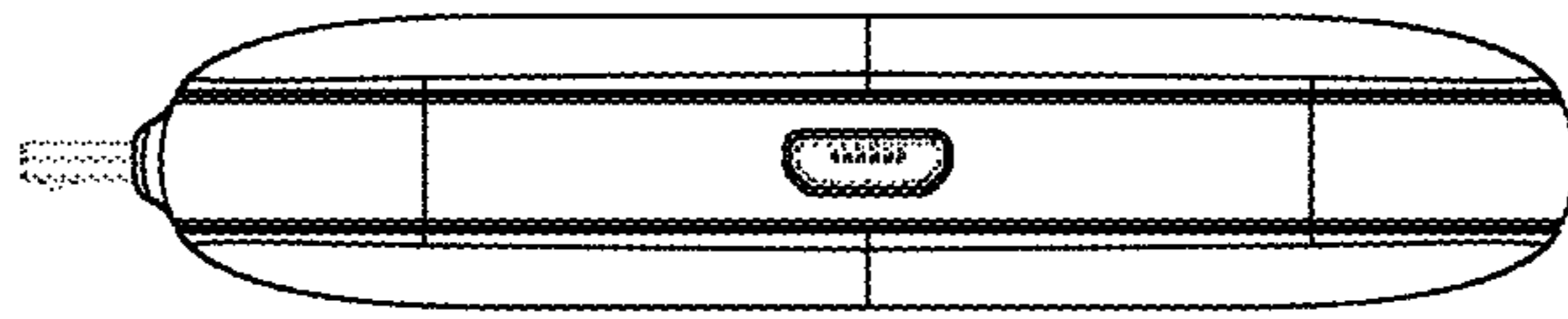


FIG. 14

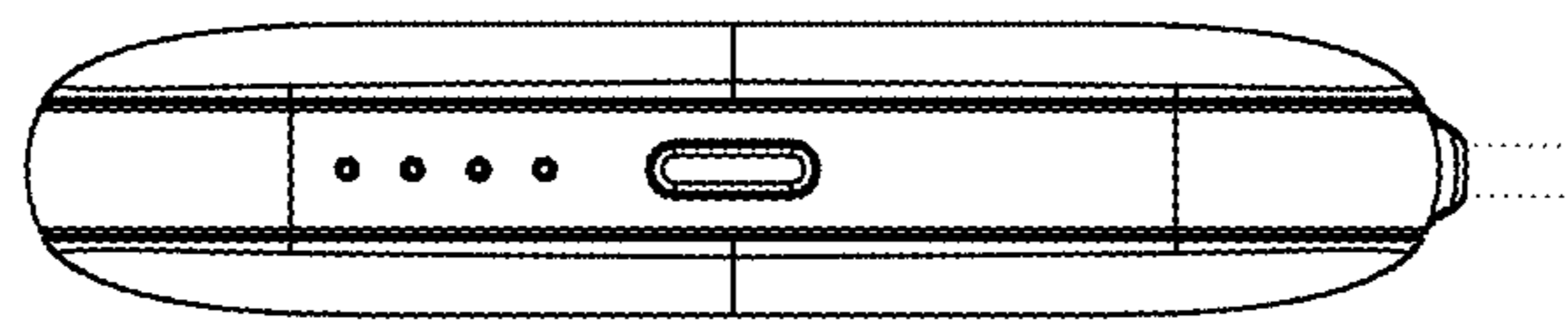


FIG. 15

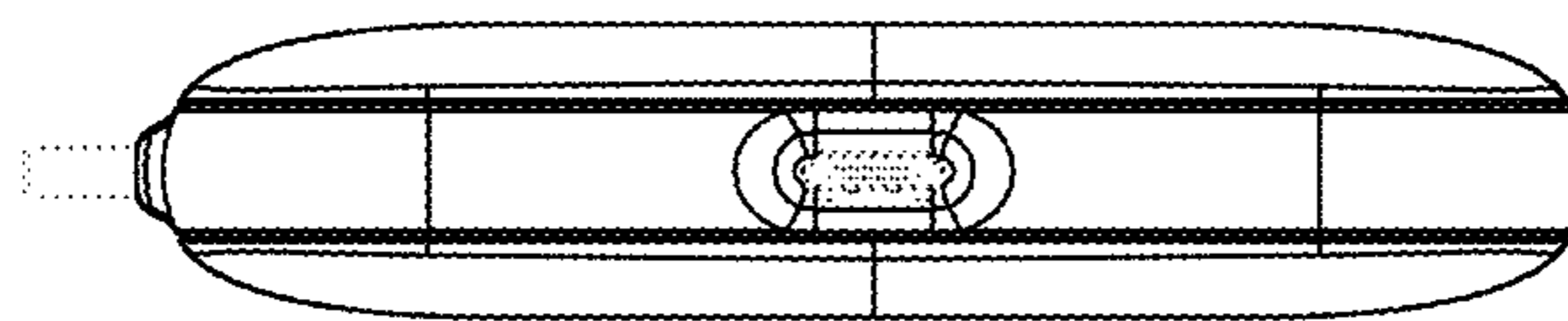


FIG. 16