



US00D922316S

(12) **United States Design Patent**  
**Starkey et al.**

(10) **Patent No.:** **US D922,316 S**

(45) **Date of Patent:** **\*\* Jun. 15, 2021**

- (54) **PORTABLE POWER CHARGER**
- (71) Applicant: **Halo2Cloud, LLC**, Hartford, CT (US)
- (72) Inventors: **Troy Starkey**, Hartford, CT (US);  
**Patrick Keenan**, George Town (KY)
- (73) Assignee: **HALO2CLOUD, LLC**, Hartford, CT (US)
- (\*\*) Term: **15 Years**
- (21) Appl. No.: **29/716,880**
- (22) Filed: **Dec. 12, 2019**
- (51) **LOC (13) Cl.** ..... **13-02**
- (52) **U.S. Cl.**  
USPC ..... **D13/108**
- (58) **Field of Classification Search**  
USPC ..... D13/103, 107–110, 118–119, 184, 199;  
D14/251, 253, 432, 434  
CPC .. H02J 50/00; H02J 50/10; H02J 50/12; H02J  
50/80; H02J 7/025; H02J 7/005; H02J  
7/0026; H02J 7/0044; H02J 7/0045; H02J  
7/0013; H02J 7/0003; H02J 50/40; H02J  
50/402  
See application file for complete search history.

- (56) **References Cited**  
U.S. PATENT DOCUMENTS  
D600,640 S \* 9/2009 Stein ..... D13/103  
D601,955 S 10/2009 Ekmekdje  
D634,707 S 3/2011 Hosler  
D645,818 S 9/2011 Guccione  
D656,151 S 3/2012 Maus  
D659,094 S 5/2012 Brand  
D680,063 S \* 4/2013 Sasada ..... D13/103  
D685,326 S 7/2013 Kim  
D694,706 S 12/2013 Kuo  
D701,489 S \* 3/2014 Symons ..... D13/108  
D711,822 S \* 8/2014 Emano ..... D13/108  
D725,591 S \* 3/2015 Chien ..... D13/108

- D751,985 S \* 3/2016 Curry ..... D13/103
- D760,647 S \* 7/2016 Chen ..... D13/103
- D763,792 S 8/2016 Park
- D782,977 S \* 4/2017 Zhang ..... D13/108
- D813,803 S \* 3/2018 Massar ..... D13/108
- D814,412 S \* 4/2018 Georgiades ..... D13/108
- D816,606 S \* 5/2018 Georgiades ..... D13/108

(Continued)

*Primary Examiner* — Rosemary K Tarcza  
(74) *Attorney, Agent, or Firm* — Lathrop GPM LLP

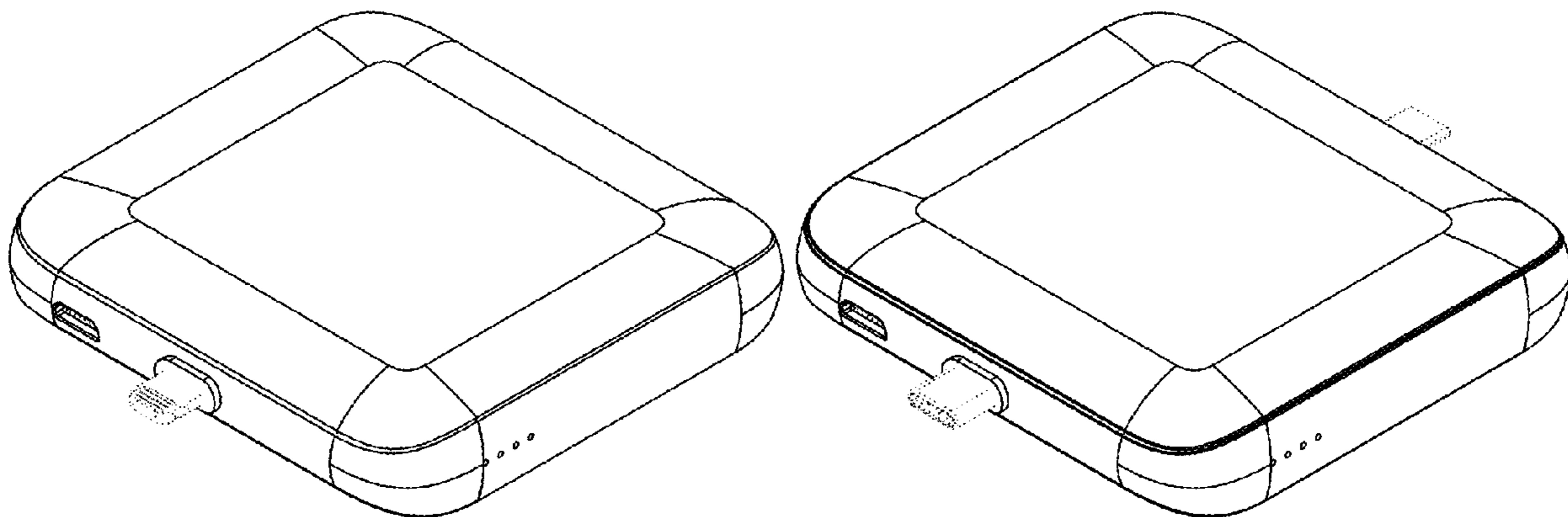
(57) **CLAIM**

The ornamental design for a portable power charger, as shown and described.

**DESCRIPTION**

FIG. 1 is a front, top perspective view of a first embodiment of a portable power charger comprising a new, original and ornamental design;  
 FIG. 2 is a back, top perspective view thereof;  
 FIG. 3 is a top view thereof;  
 FIG. 4 is a bottom view thereof;  
 FIG. 5 is a front end view thereof;  
 FIG. 6 is a back end view thereof;  
 FIG. 7 is a left-hand side view thereof;  
 FIG. 8 is a right-hand side view thereof;  
 FIG. 9 is a front, top perspective view of a second embodiment of a portable power charger comprising a new, original and ornamental design;  
 FIG. 10 is a back, top perspective view thereof;  
 FIG. 11 is a top view thereof;  
 FIG. 12 is a bottom view thereof;  
 FIG. 13 is a front end view thereof;  
 FIG. 14 is a back end view thereof;  
 FIG. 15 is a left-hand side view thereof; and,  
 FIG. 16 is a right-hand side view thereof.  
 The broken lines shown in the drawings are included to illustrate portions of the portable power charger that form no part of the claimed design.

**1 Claim, 6 Drawing Sheets**



(56)

**References Cited**

U.S. PATENT DOCUMENTS

D821,309 S	*	6/2018	Barnard .....	D13/108
D823,239 S	*	7/2018	Gupta .....	D13/103
D864,861 S	*	10/2019	Roberts .....	D13/108
D865,666 S	*	11/2019	Roberts .....	D13/108
D865,667 S	*	11/2019	Roberts .....	D13/108
D869,392 S	*	12/2019	Roberts .....	D13/108
D875,041 S	*	2/2020	Chen .....	D13/108
D881,121 S	*	4/2020	Roberts .....	D13/108
D883,209 S	*	5/2020	Liao .....	D13/110
D886,050 S	*	6/2020	Zhang .....	D13/108
D887,974 S	*	6/2020	Chen .....	D13/108
D897,287 S	*	9/2020	Georgiades .....	D13/108
D898,665 S	*	10/2020	Georgiades .....	D13/108
D906,959 S	*	1/2021	Turksu .....	D13/108

\* cited by examiner

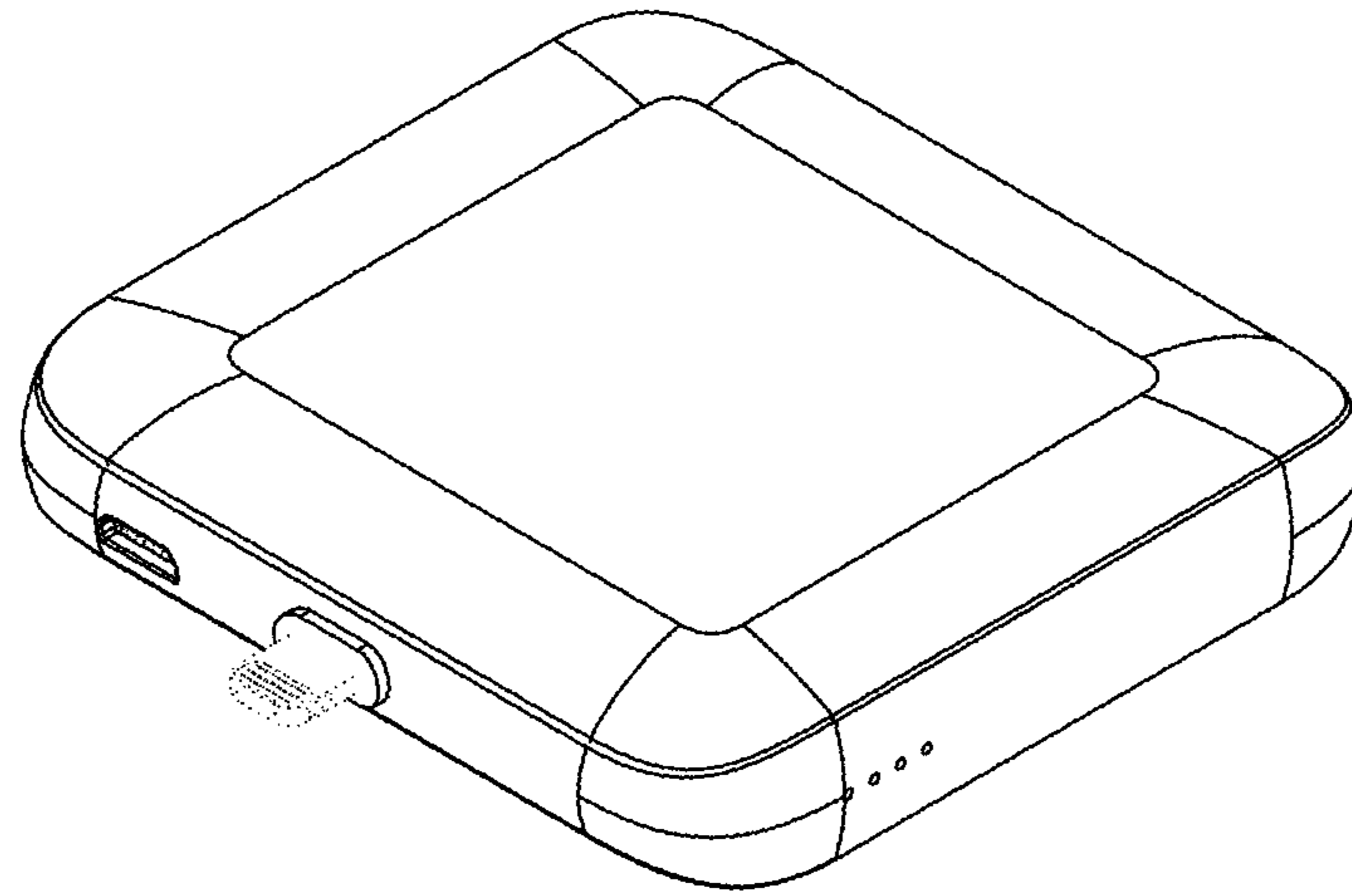


FIG. 1

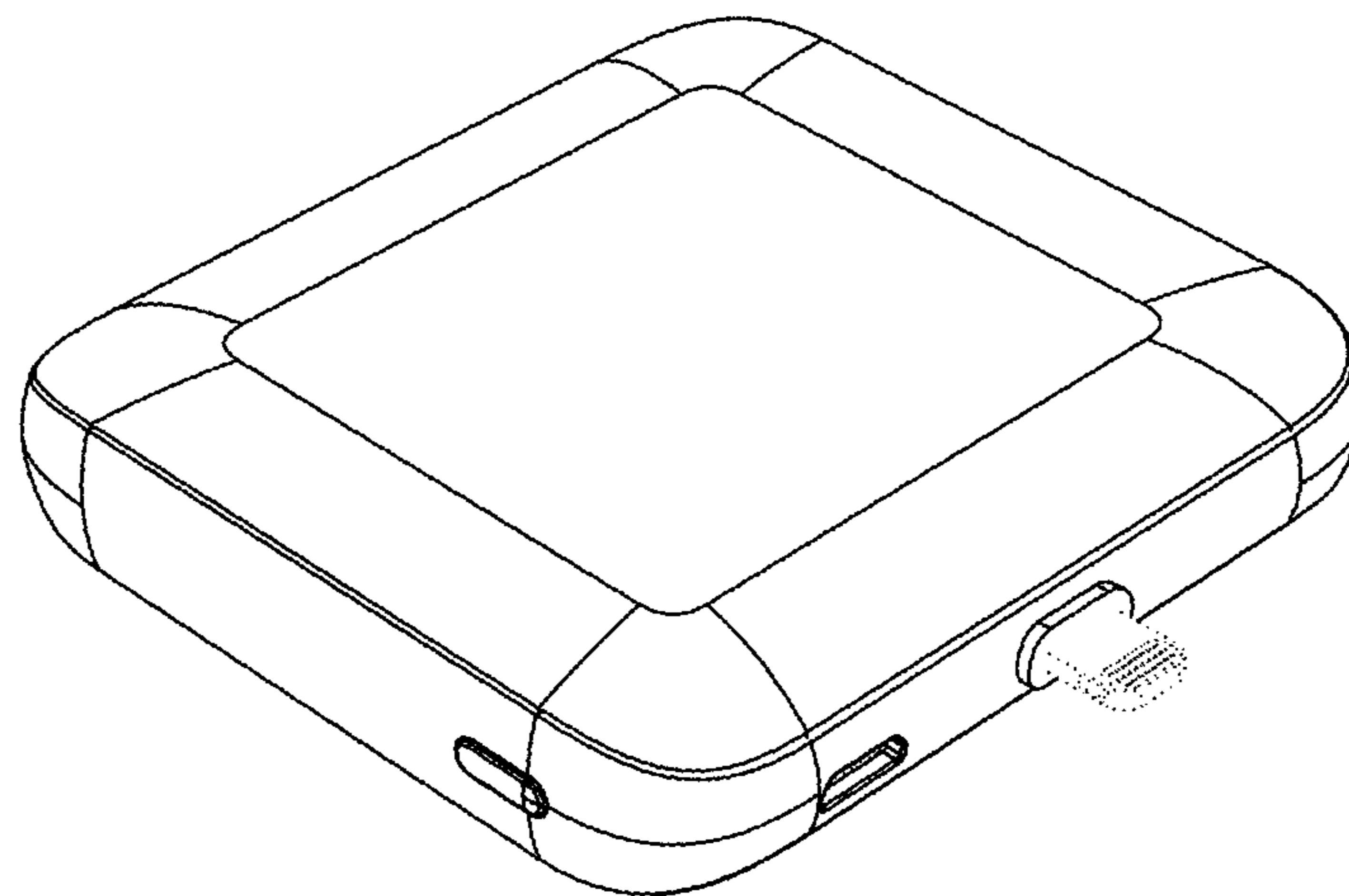


FIG. 2

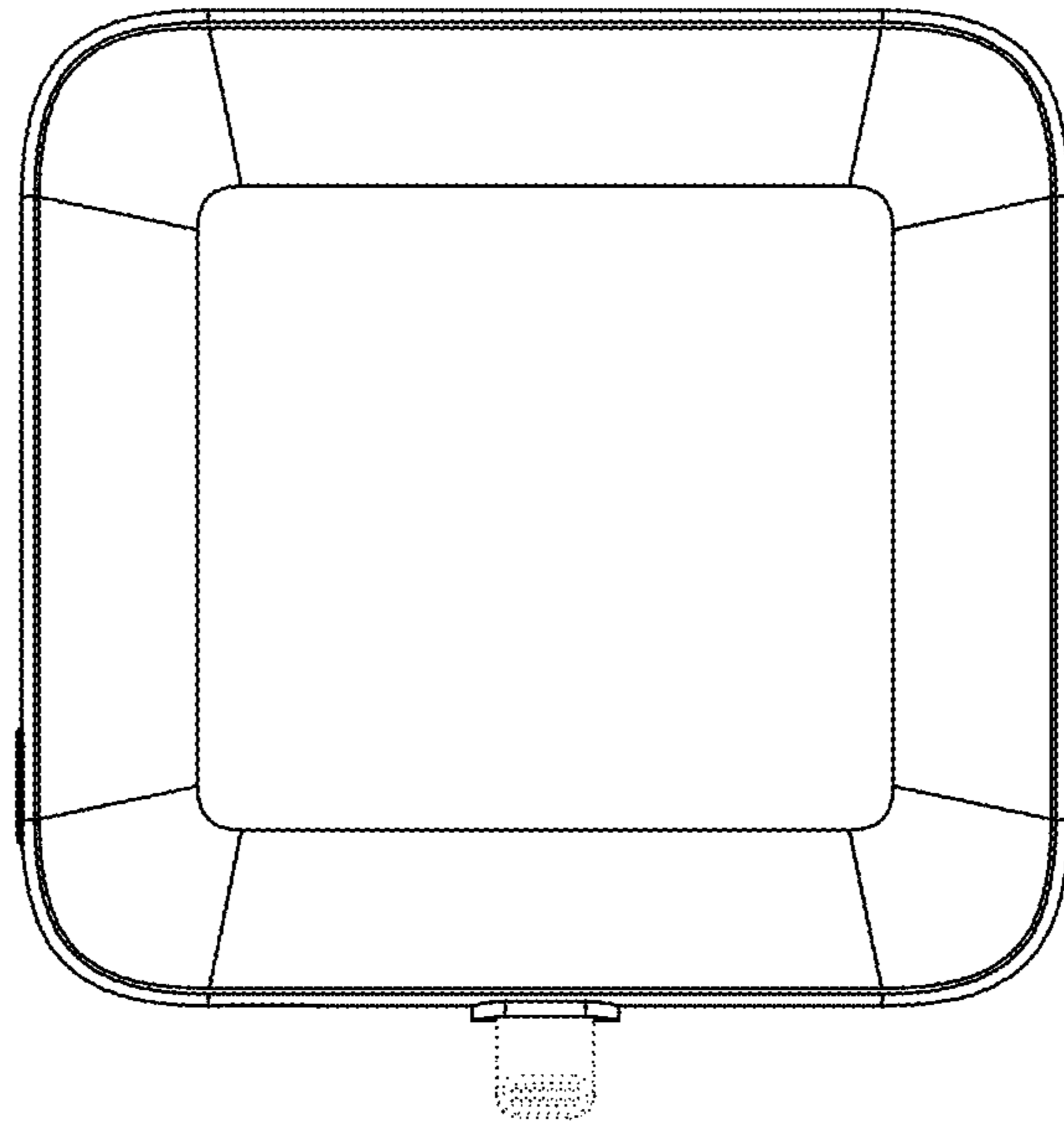


FIG. 3

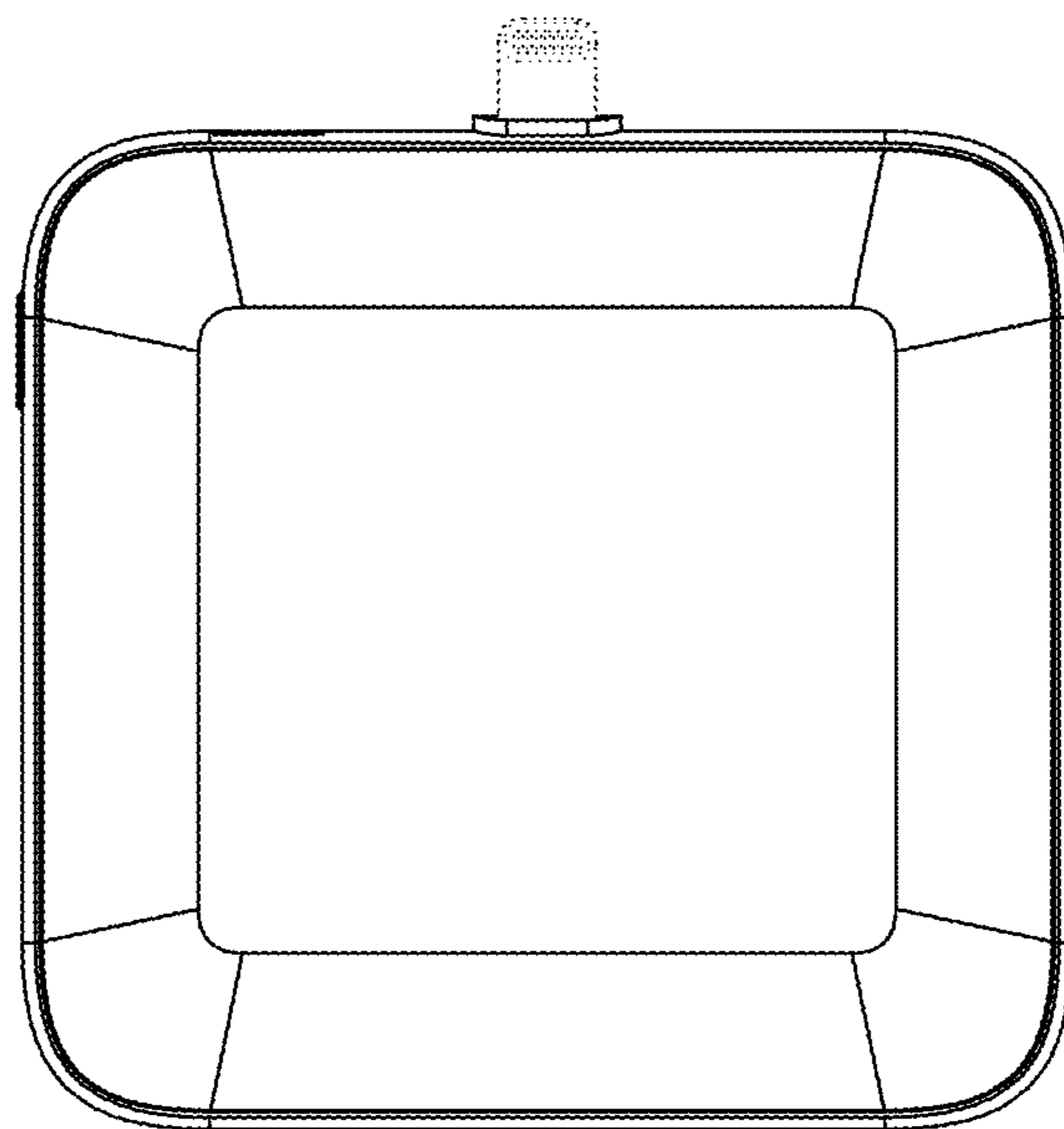


FIG. 4

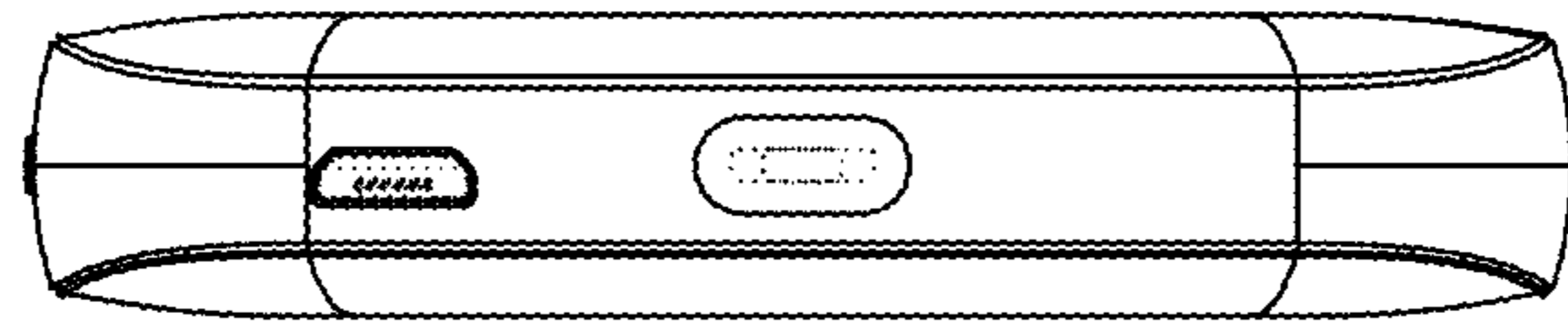


FIG. 5

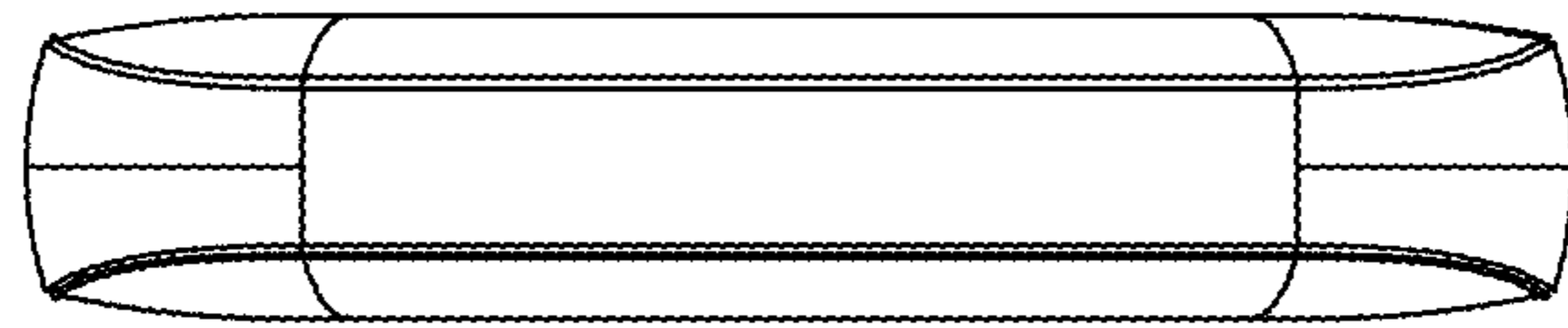


FIG. 6



FIG. 7

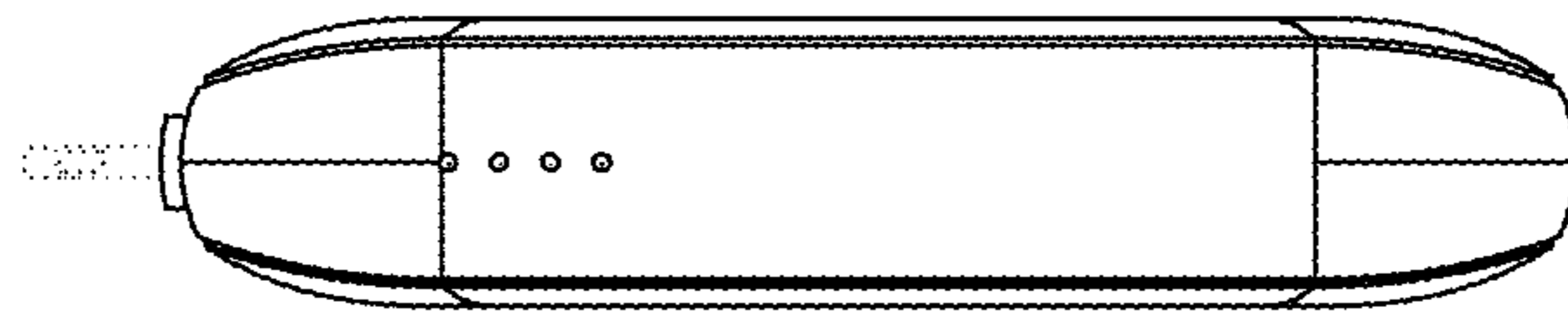


FIG. 8

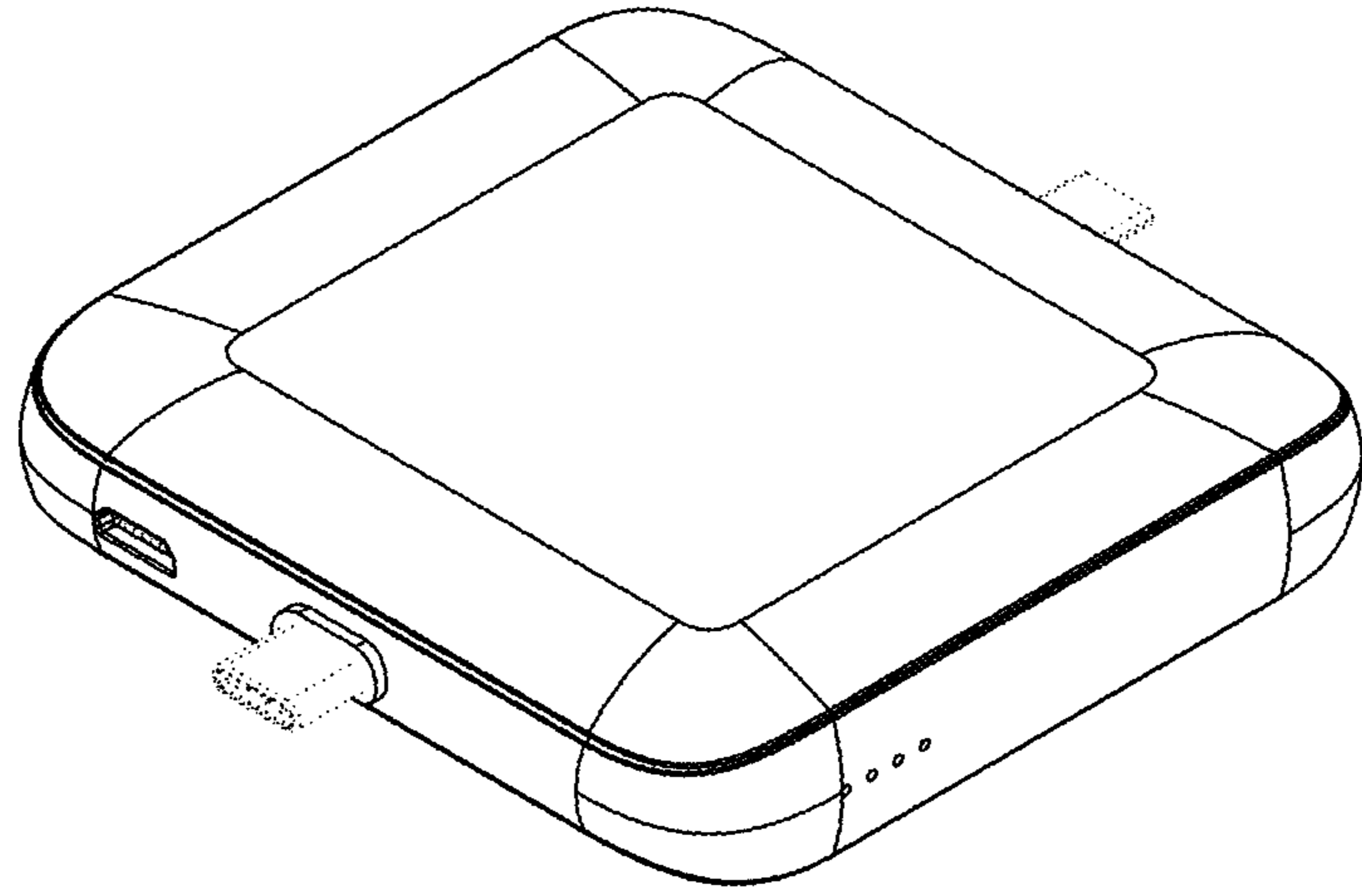


FIG. 9

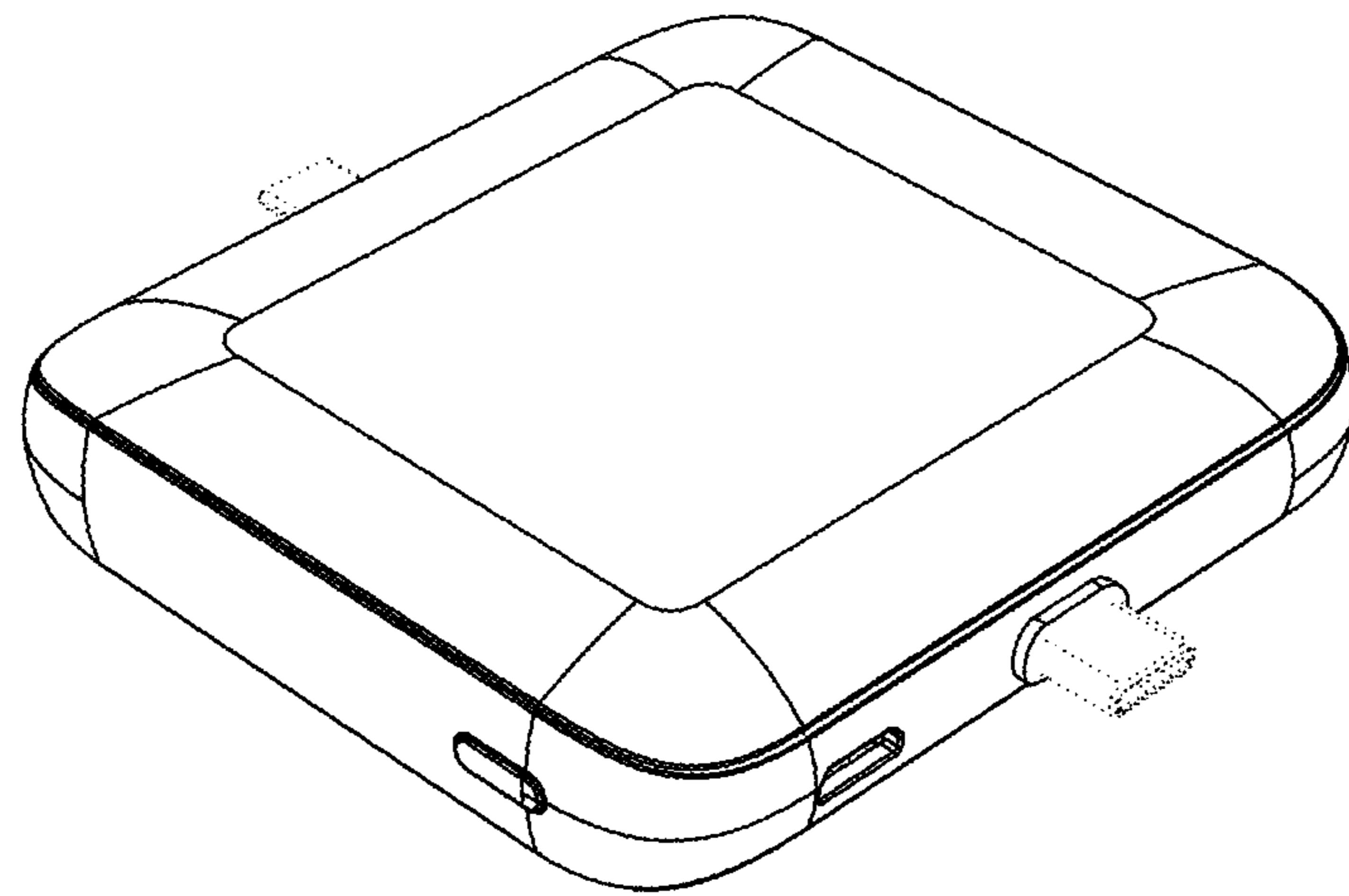


FIG. 10

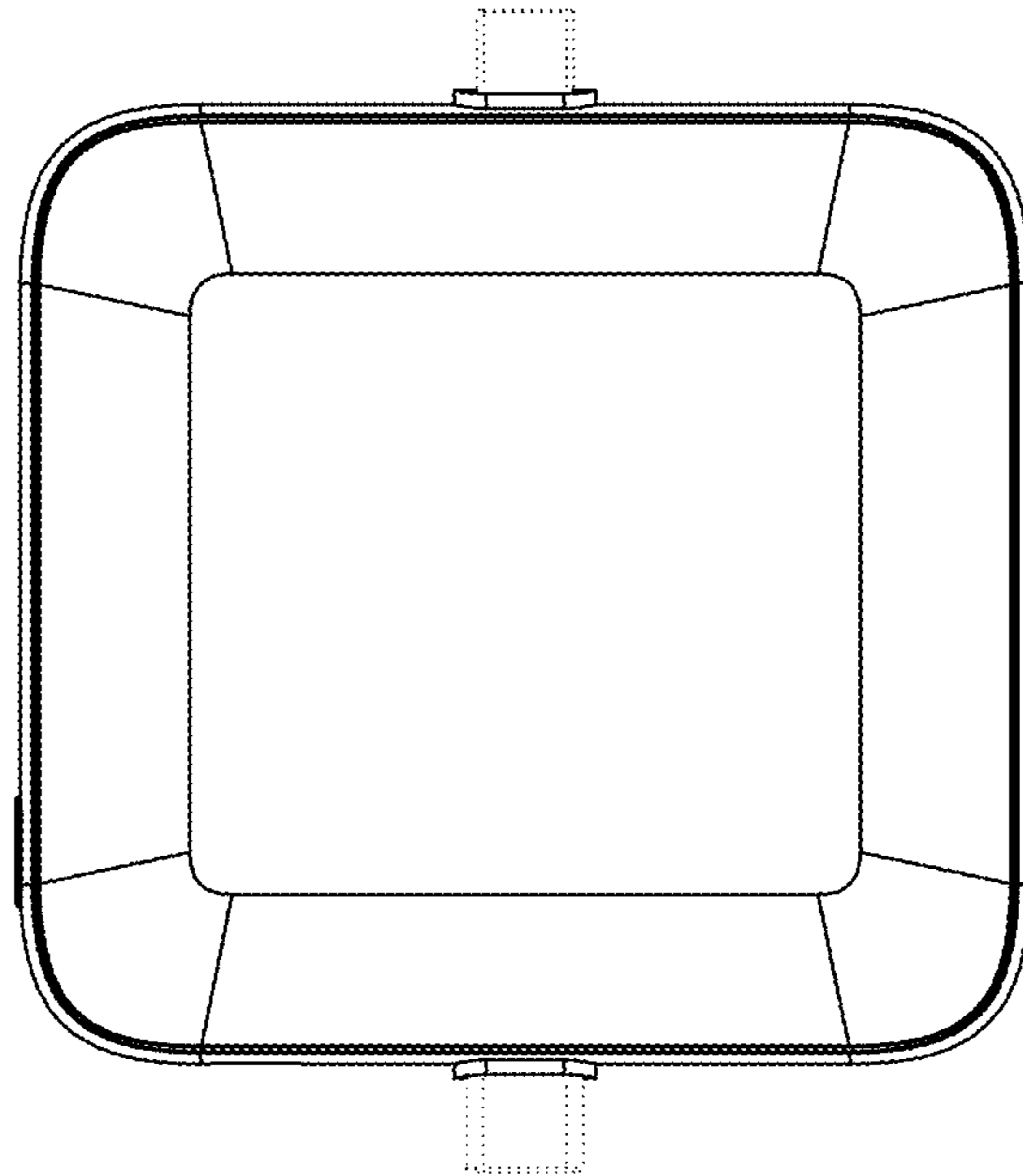


FIG. 11

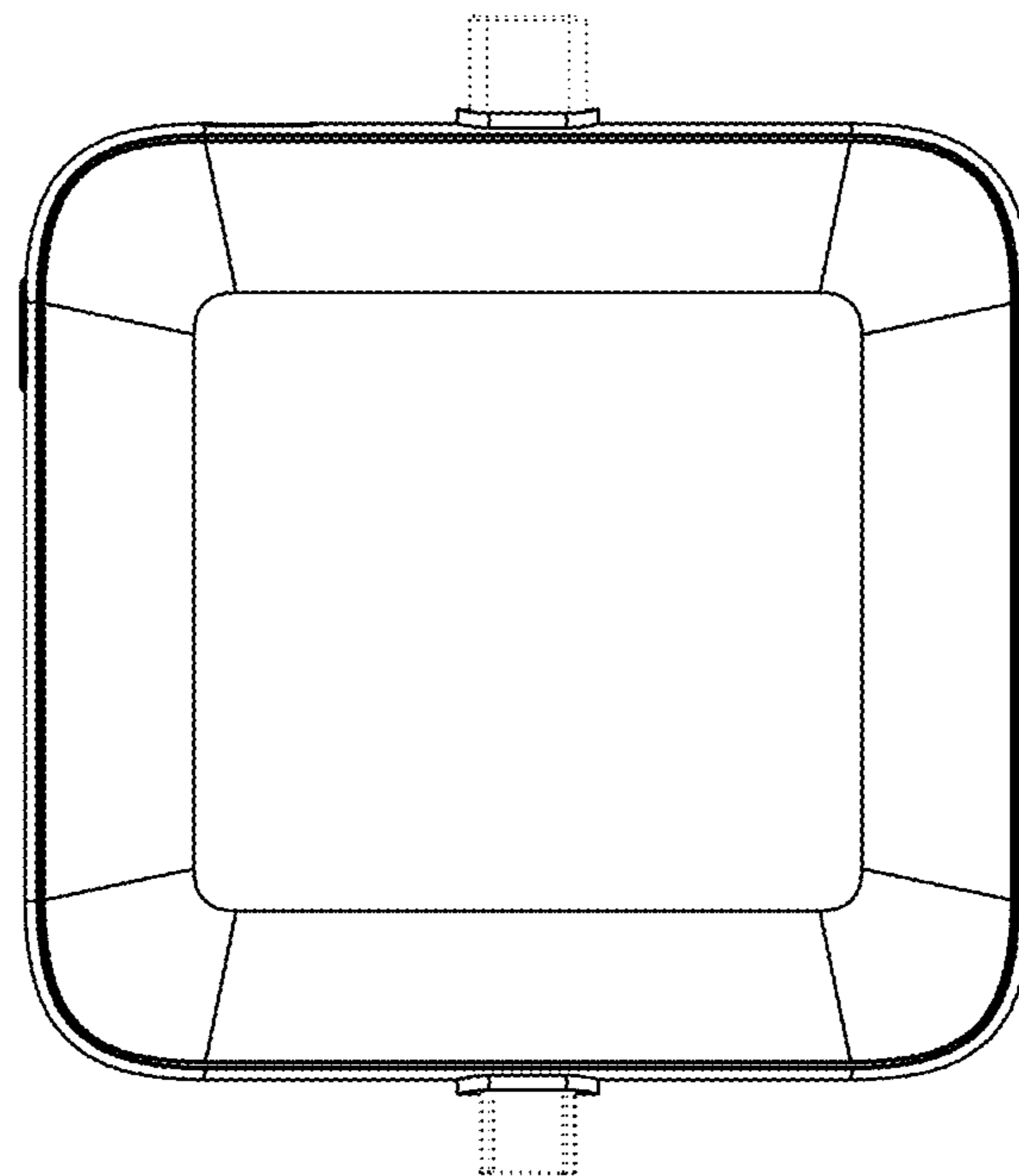


FIG. 12

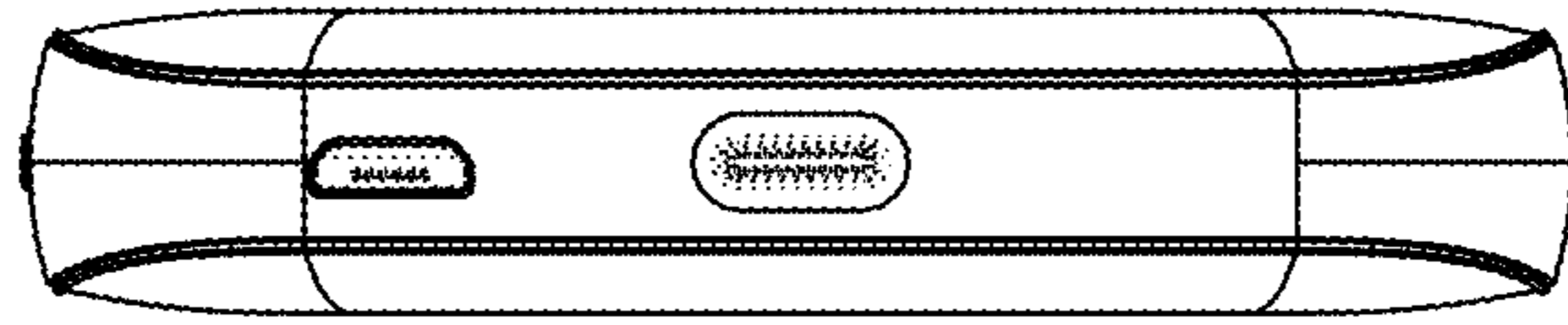


FIG. 13

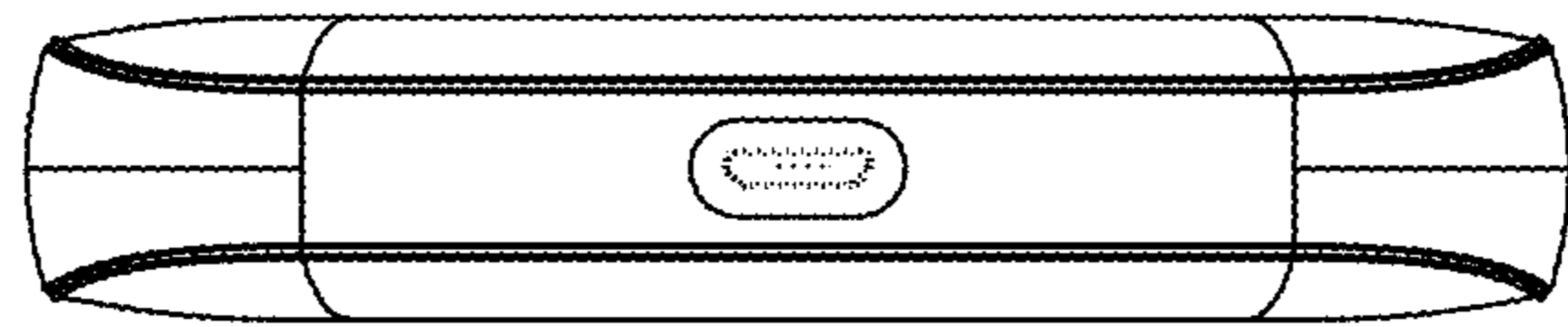


FIG. 14

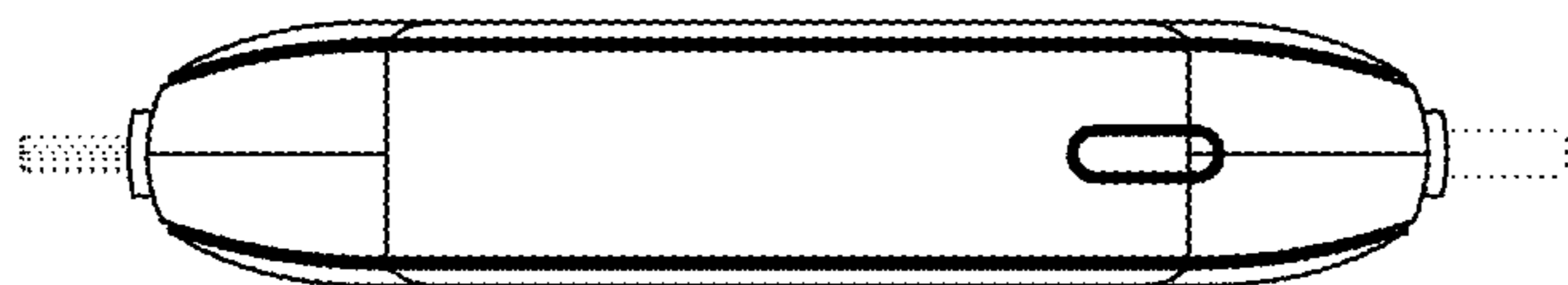


FIG. 15

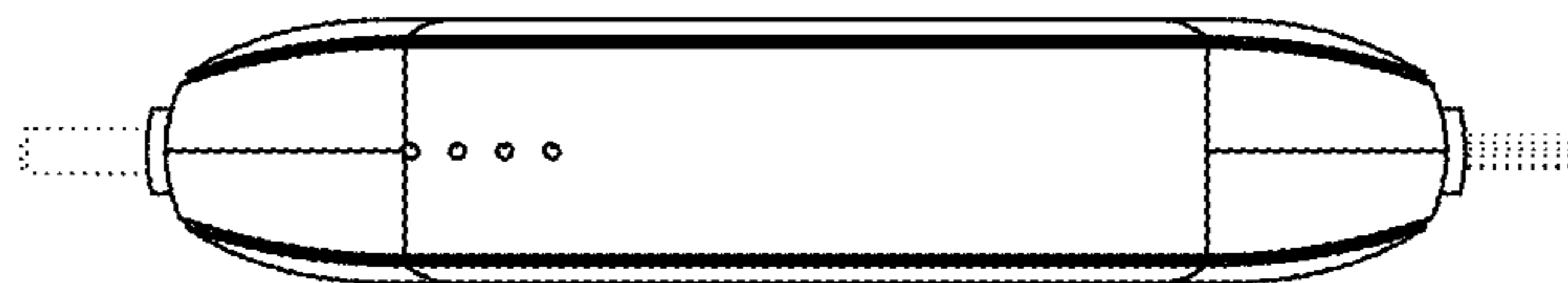


FIG. 16