



US00D922307S

(12) **United States Design Patent**
Qin et al.

(10) **Patent No.:** **US D922,307 S**

(45) **Date of Patent:** **** Jun. 15, 2021**

(54) **TIRE FOR VEHICLE**

CPC B60C 3/06; B60C 9/17; B60C 11/0304
See application file for complete search history.

(71) Applicant: **Qingdao Sentury Tire Co., Ltd.**,
Shandong (CN)

(56) **References Cited**

(72) Inventors: **Long Qin**, Shandong (CN); **Wenlong Lin**, Shandong (CN); **Yixin Zhang**, Shandong (CN); **Dongyan Zhu**, Shandong (CN); **Li Liu**, Shandong (CN)

U.S. PATENT DOCUMENTS

D901,372 S * 11/2020 Moia D12/517

* cited by examiner

Primary Examiner — Robert M. Spear

(74) *Attorney, Agent, or Firm* — Houtteman Law LLC

(73) Assignee: **Qingdao Sentury Tire Co., Ltd.**,
Shandong (CN)

(57) **CLAIM**

The ornamental design for a tire for vehicle, as shown and described.

(**) Term: **15 Years**

DESCRIPTION

(21) Appl. No.: **29/708,822**

FIG. 1 is a perspective view of a tire for vehicle showing my new design;

(22) Filed: **Oct. 9, 2019**

FIG. 2 is a side view of tire for vehicle shown in FIG. 1;

(51) **LOC (13) Cl.** **12-15**

FIG. 3 is a front side view of the tire for vehicle shown in FIG. 1; and,

(52) **U.S. Cl.**

FIG. 4 is an enlarged view of a portion of the tire for vehicle shown in FIG. 1.

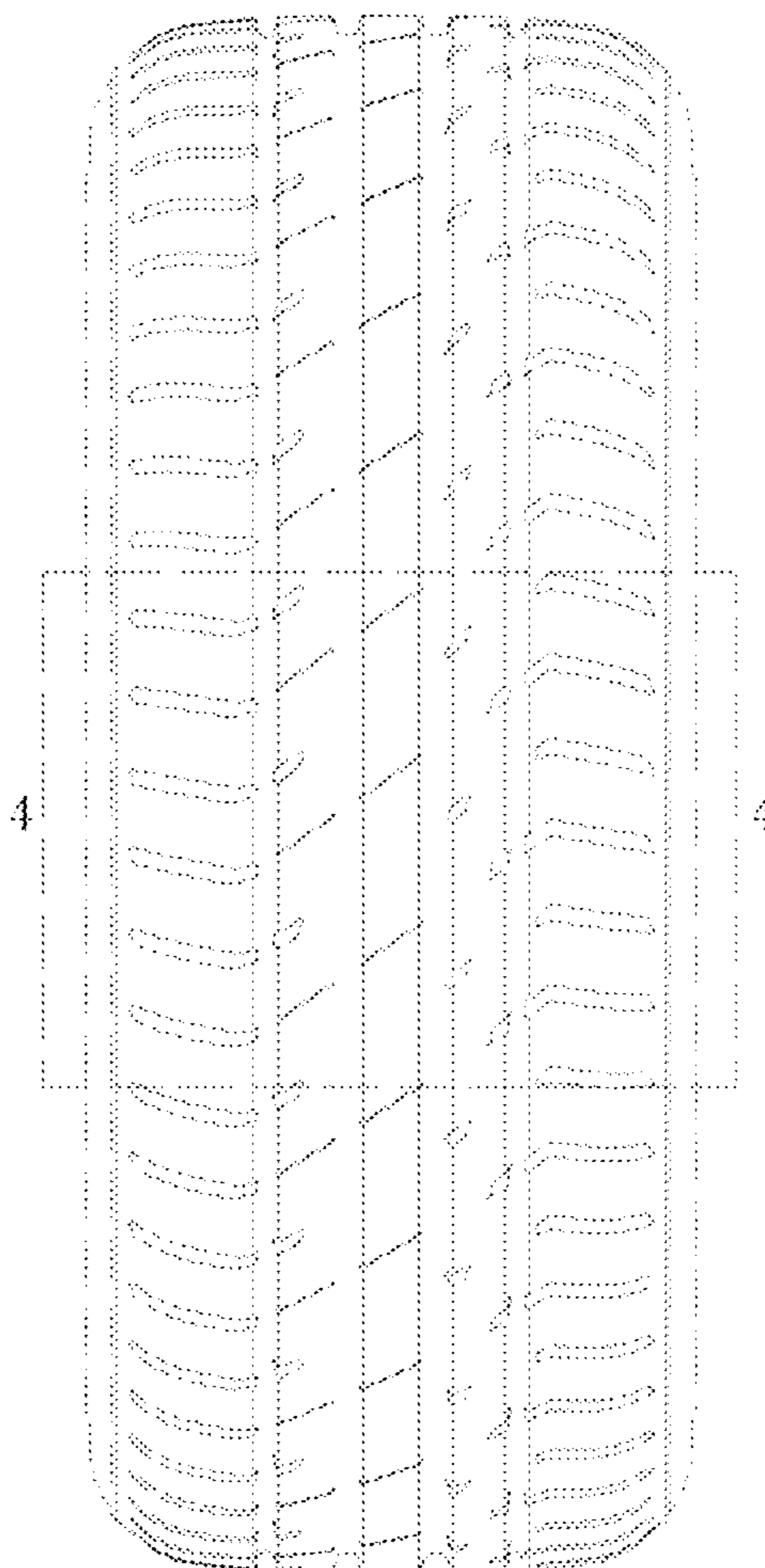
USPC **D12/517**

(58) **Field of Classification Search**

The broken lines in the drawings depict environment and form no part of the claim.

USPC D12/515, 517, 518, 519, 520, 521, 523,
D12/524, 527, 528, 531, 532

1 Claim, 4 Drawing Sheets



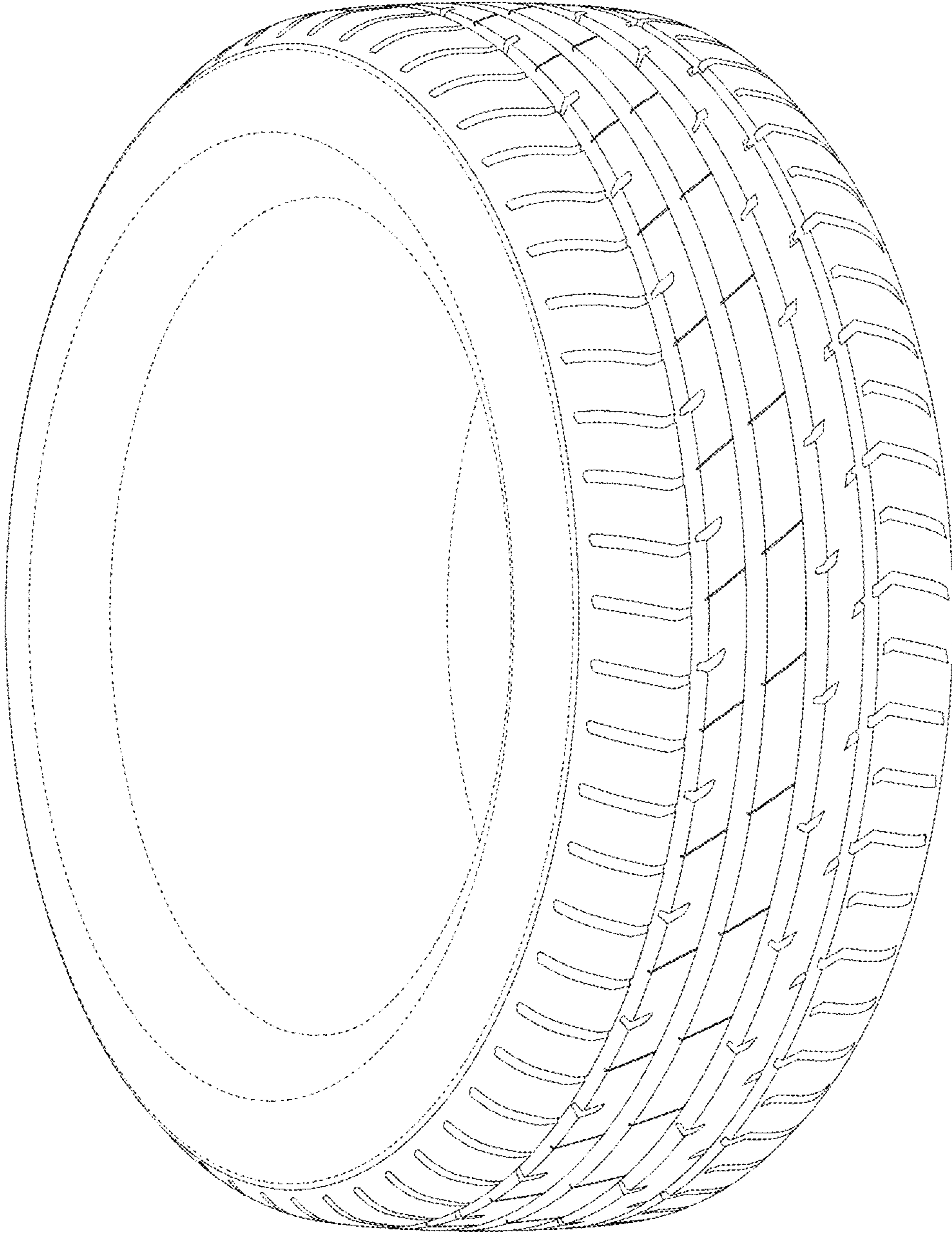


FIG. 1

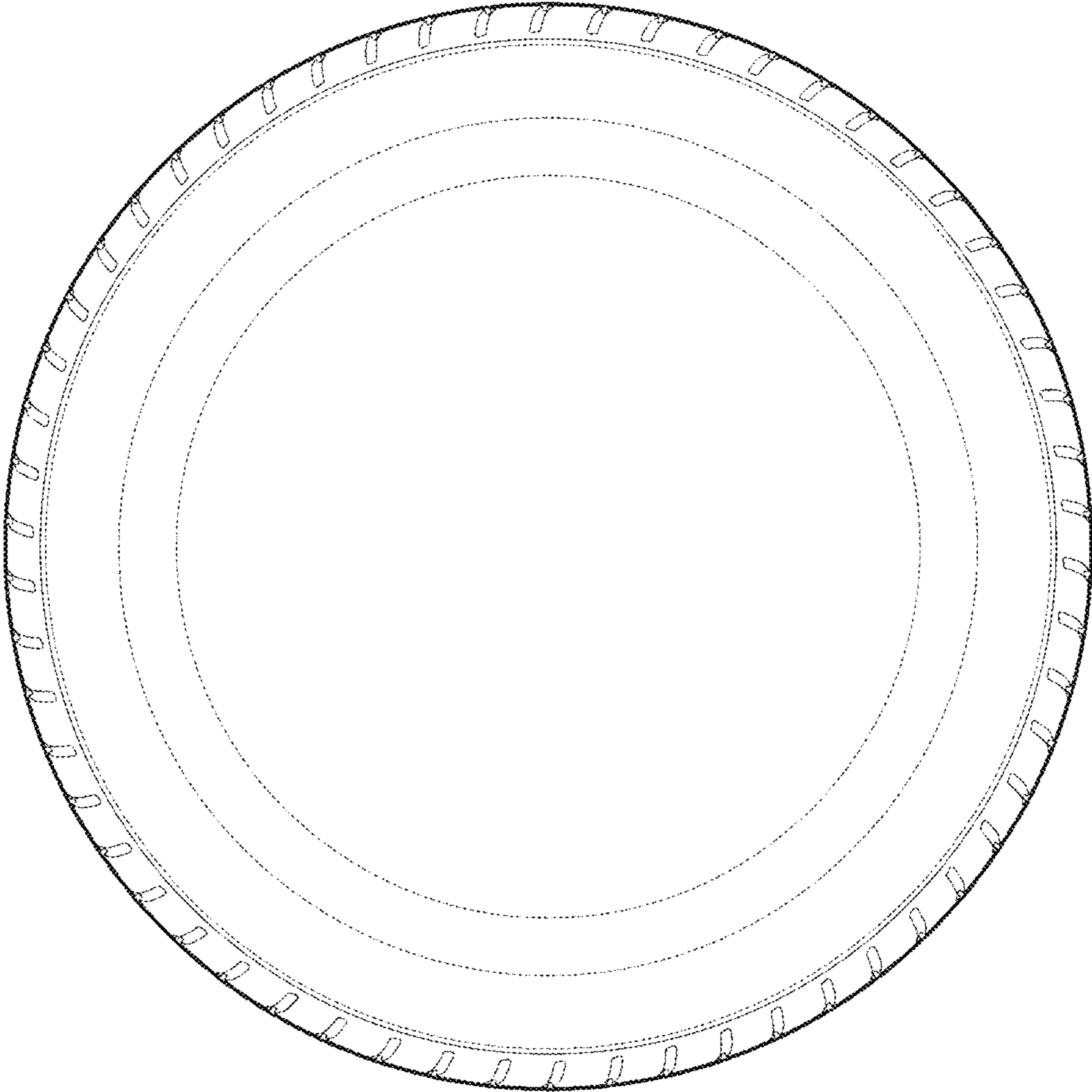


FIG. 2

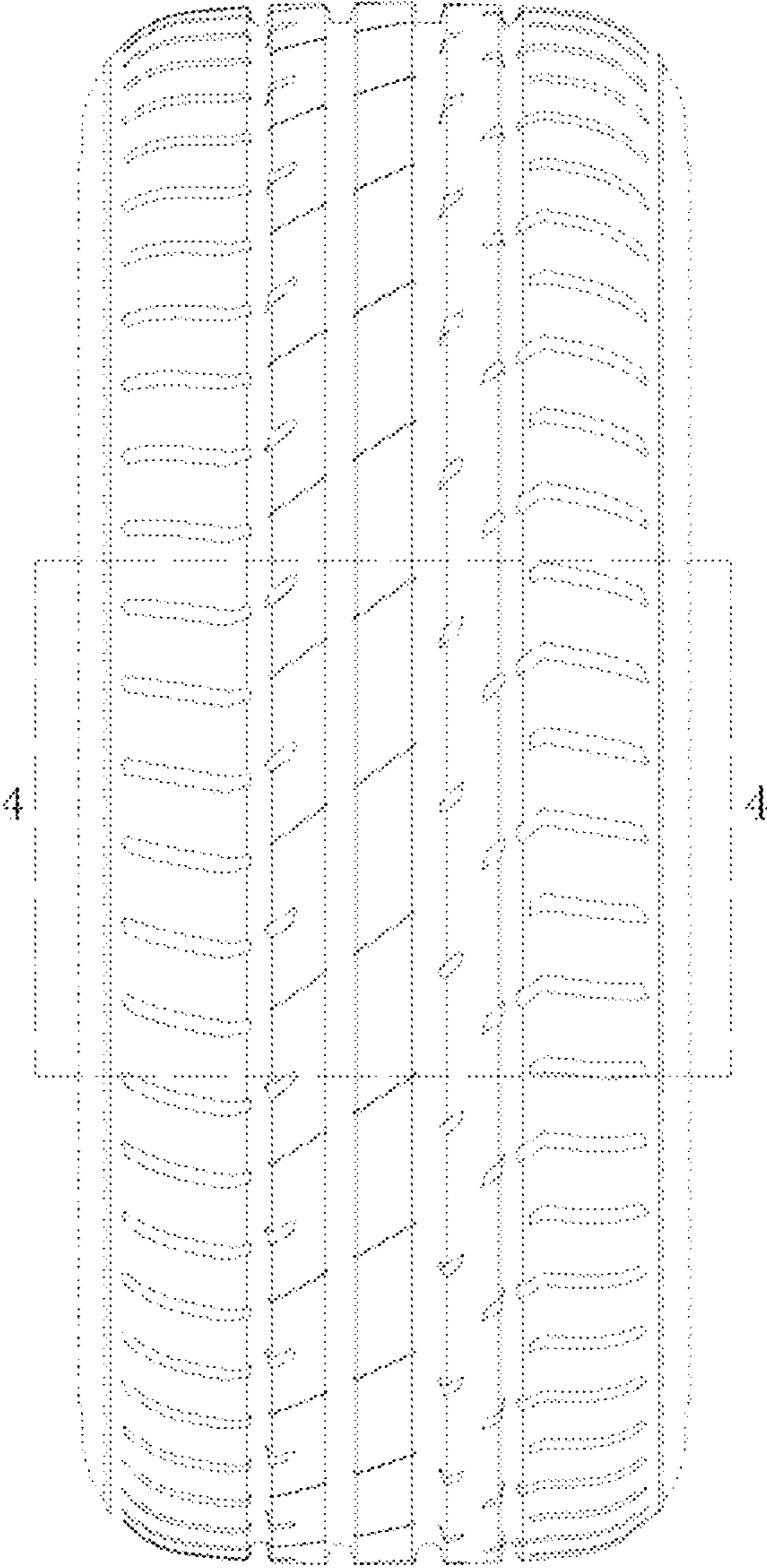


FIG. 3

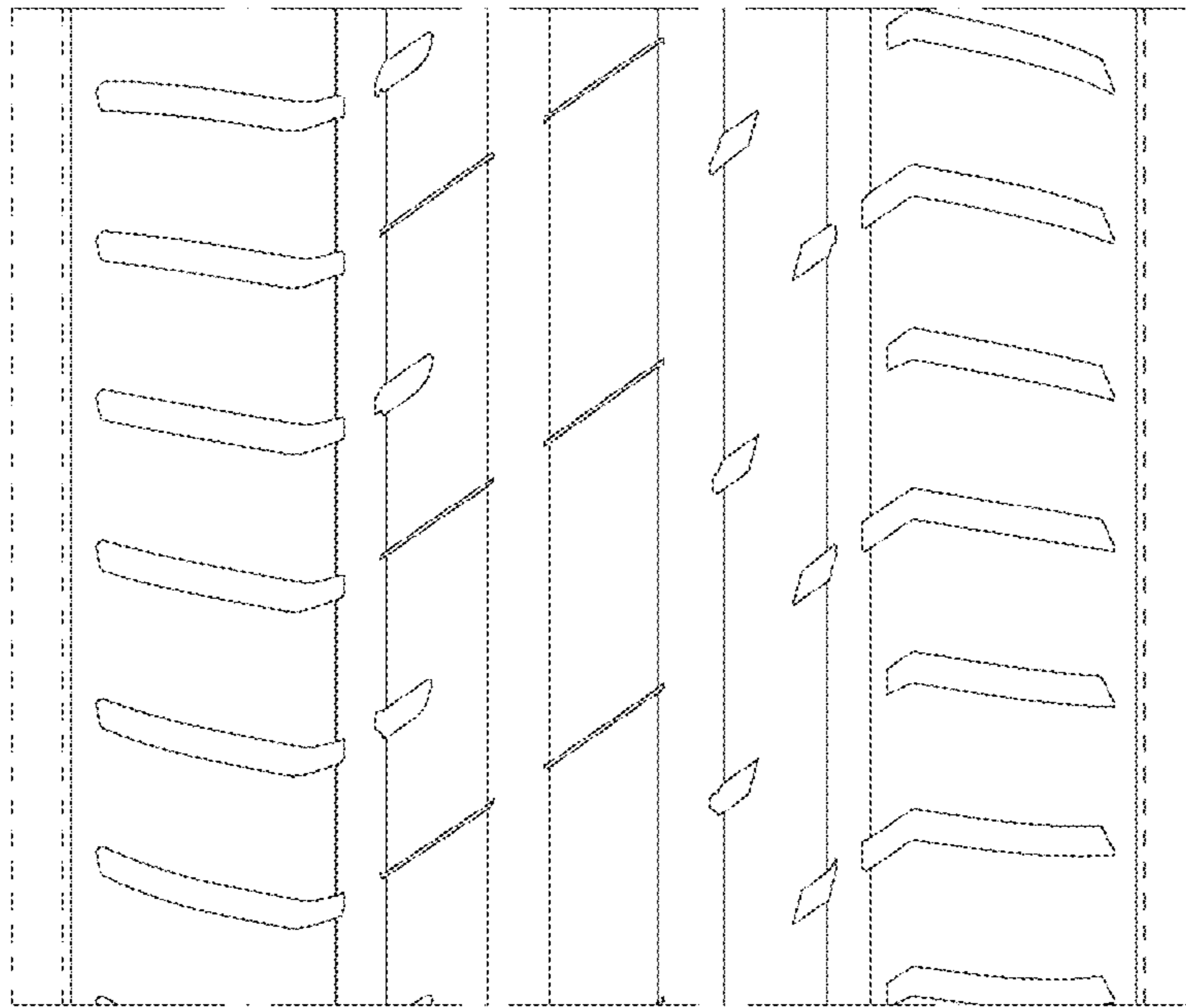


FIG. 4