



US00D922306S

(12) **United States Design Patent** (10) **Patent No.:** **US D922,306 S**
Dongfang et al. (45) **Date of Patent:** **** Jun. 15, 2021**

(54) **ELECTRIC SCOOTER**
(71) Applicant: **Neutron Holdings, Inc.**, San Francisco, CA (US)
(72) Inventors: **Cao Dongfang**, San Francisco, CA (US); **Shi Yi**, San Francisco, CA (US); **Huang Honglu**, San Francisco, CA (US)
(73) Assignee: **NEUTRON HOLDINGS, INC.**, San Francisco, CA (US)
(**) Term: **15 Years**
(21) Appl. No.: **35/507,941**
(22) Filed: **Aug. 23, 2019**

D692,963 S *	11/2013	Radtke	D21/423
D710,949 S *	8/2014	Huang	D21/423
D717,881 S *	11/2014	Radtke	D21/423
D756,464 S *	5/2016	Edlauer	D21/423
D806,176 S *	12/2017	Peng	D21/423
D815,215 S *	4/2018	Desberg	D21/423
D827,036 S *	8/2018	Sebban	D21/423
D837,303 S *	1/2019	Desberg	D21/423
D839,358 S *	1/2019	Cao	D21/423
D846,654 S *	4/2019	Van Eyndhoven	D21/423
D858,646 S *	9/2019	Yang	D21/423
D873,349 S *	1/2020	Huang	D21/423
D877,257 S *	3/2020	Cao	D21/423
D877,258 S *	3/2020	Cao	D21/423
D883,395 S *	5/2020	Yang	D21/423
D886,907 S *	6/2020	Gao	D21/423
D889,557 S *	7/2020	Cao	D21/423
D890,852 S *	7/2020	Yang	D21/423

* cited by examiner

(80) **Hague Agreement Data**
Int. Filing Date: **Aug. 23, 2019**
Int. Reg. No.: **DM/204256**
Int. Reg. Date: **Aug. 23, 2019**
Int. Reg. Pub. Date: **Nov. 29, 2019**

Primary Examiner — George D. Kirschbaum
Assistant Examiner — Joseph J Kukella
(74) *Attorney, Agent, or Firm* — Dentons US LLP

(51) **LOC (13) Cl.** **12-11**
(52) **U.S. Cl.**
USPC **D12/423**
(58) **Field of Classification Search**
USPC D12/107, 109-113; D21/419, 423, 563, D21/760, 763-765, 771, 779
CPC ... B62K 3/00; B62K 3/02; B62K 3/04; B62K 3/06; B62K 3/08; B62K 3/10; B62K 9/00; B62K 11/00; B62K 11/007; B62K 11/10; B62D 51/00; B62D 51/001; B62D 51/02; B62D 61/00; B62D 61/02
See application file for complete search history.

(57) **CLAIM**

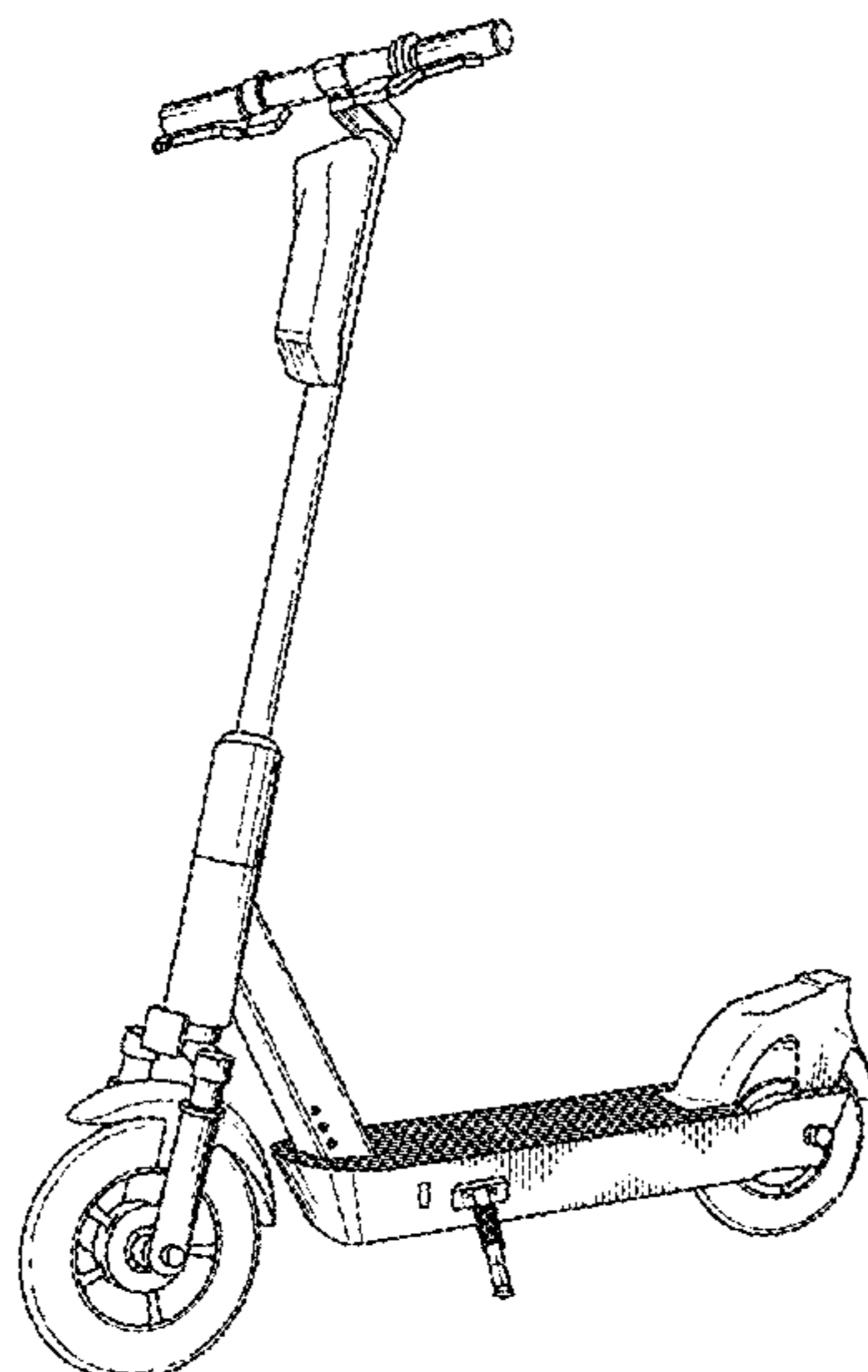
The ornamental design for an electric scooter, as shown and described.

DESCRIPTION

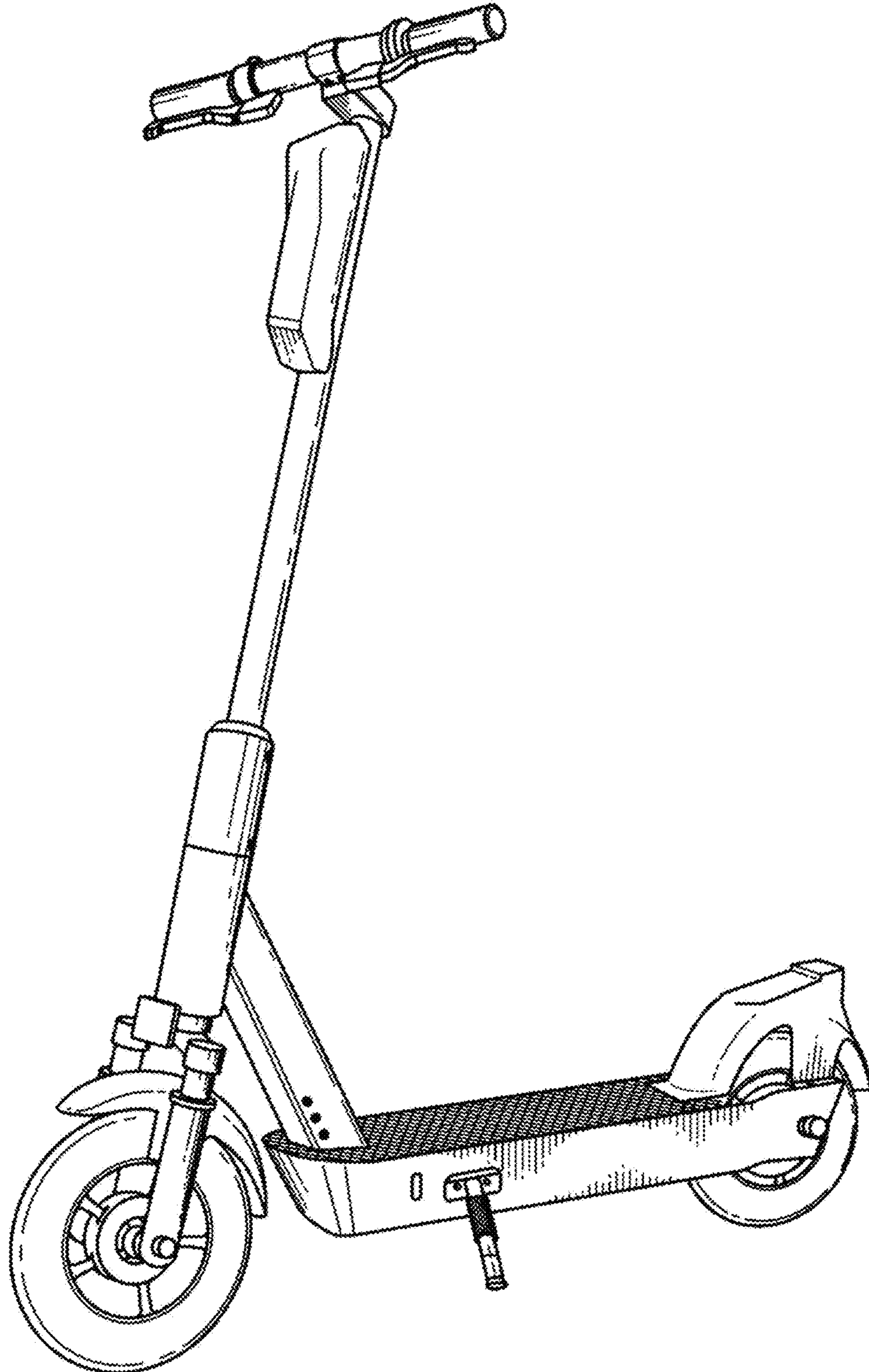
- 1. Electric scooter
- 1.1 : Perspective
- 1.2 : Left
- 1.3 : Right
- 1.4 : Front
- 1.5 : Back
- 1.6 : Top
- 1.7 : Bottom

(56) **References Cited**
U.S. PATENT DOCUMENTS
D497,397 S * 10/2004 Sramek D21/423
D684,217 S * 6/2013 Hadley D21/423

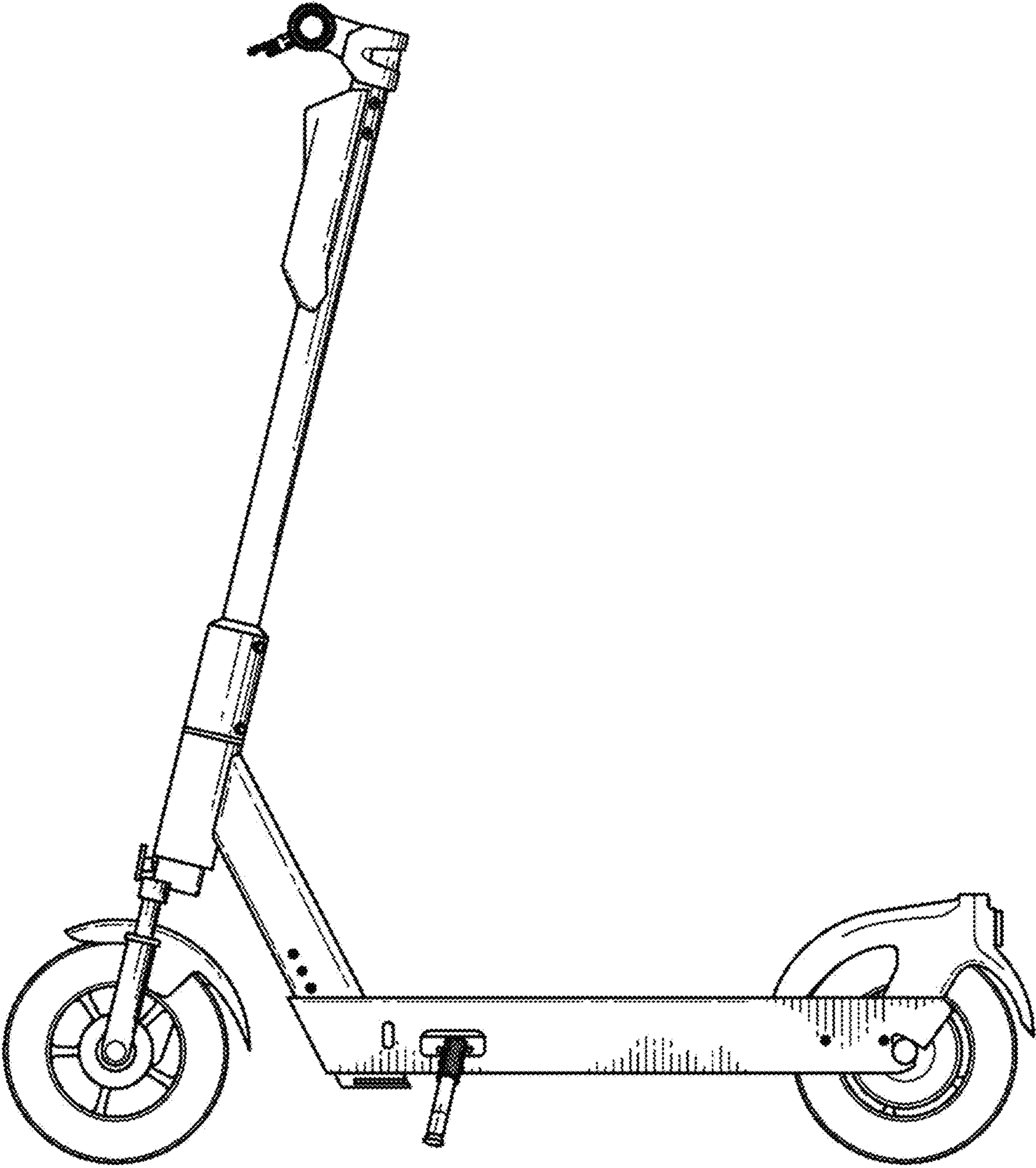
1 Claim, 7 Drawing Sheets



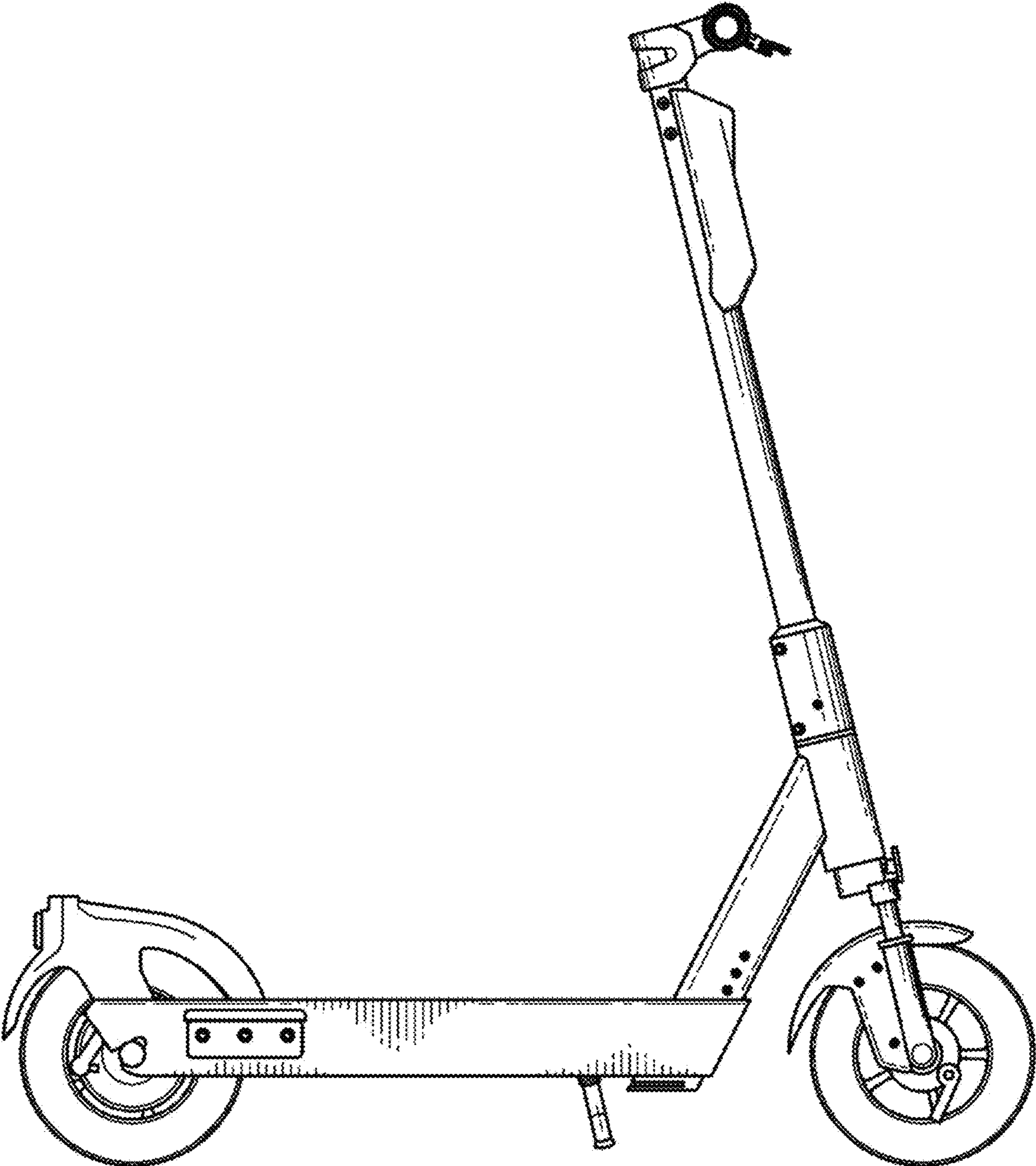
1.1



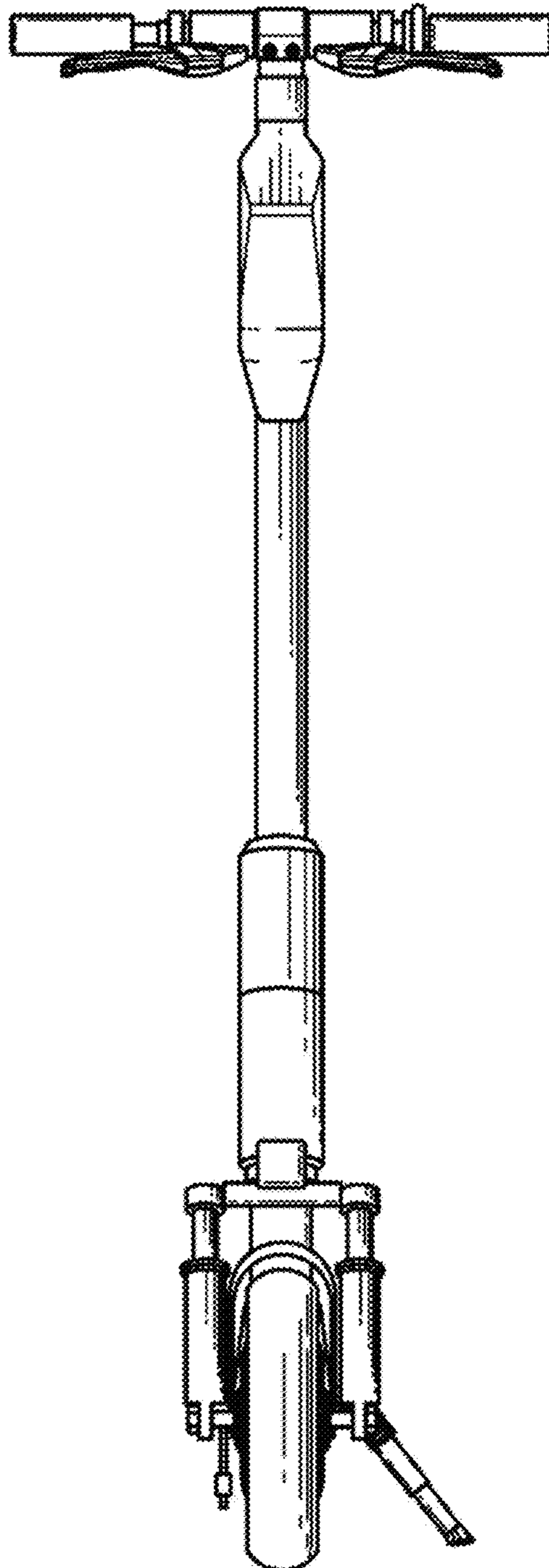
1.2



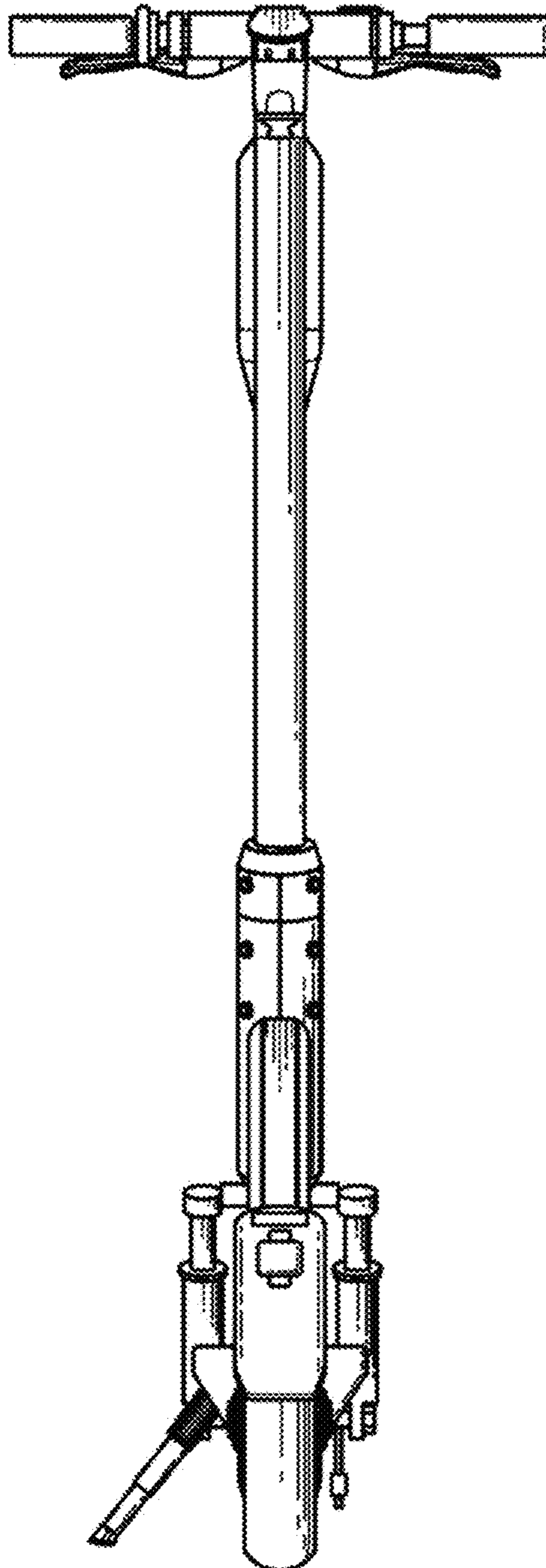
1.3



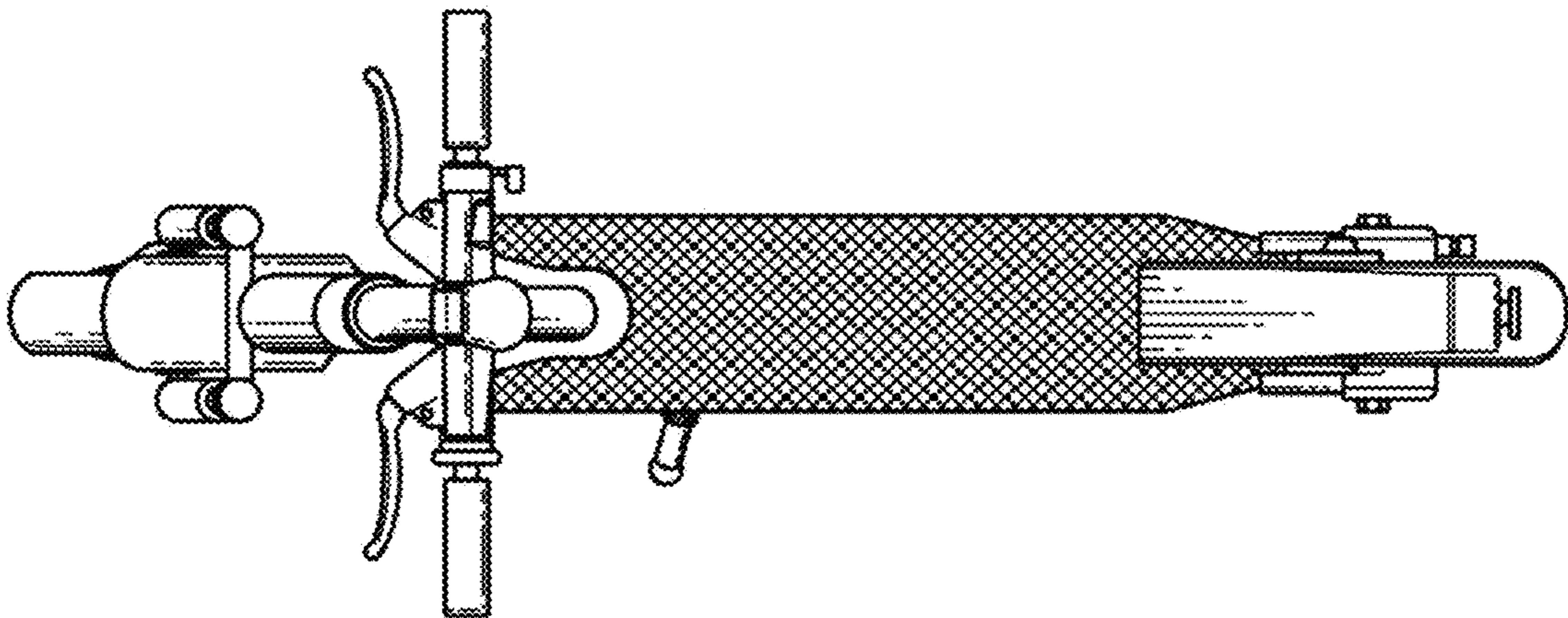
1.4



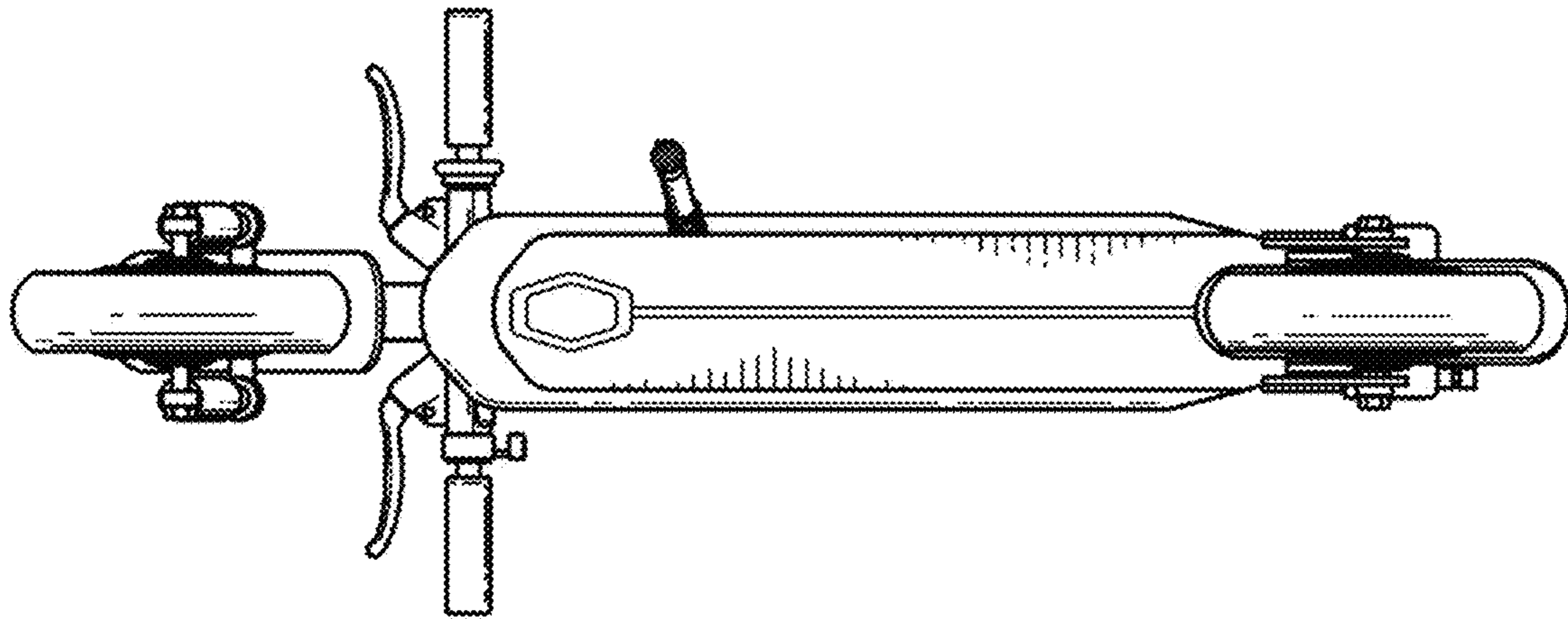
1.5



1.6



1.7



UNITED STATES PATENT AND TRADEMARK OFFICE
CERTIFICATE OF CORRECTION

PATENT NO. : D922,306 S
APPLICATION NO. : 35/507941
DATED : June 15, 2021
INVENTOR(S) : Dongfang et al.

Page 1 of 1

It is certified that error appears in the above-identified patent and that said Letters Patent is hereby corrected as shown below:

On the Title Page

Column 1 Please INSERT foreign application priority data Item (30) as follows:

-- (30) Foreign Application Priority Data

Jul. 17, 2019 (CN) 201930381846 --

Signed and Sealed this
Twenty-seventh Day of August, 2024



Katherine Kelly Vidal
Director of the United States Patent and Trademark Office