



US00D922305S

(12) **United States Design Patent** (10) **Patent No.:** **US D922,305 S**
Yuhasz (45) **Date of Patent:** **** Jun. 15, 2021**

(54) **DESK SURFACE FOR A VEHICLE**

(71) Applicant: **Allan D. Yuhasz**, Bolivia, NC (US)

(72) Inventor: **Allan D. Yuhasz**, Bolivia, NC (US)

(**) Term: **15 Years**

(21) Appl. No.: **29/721,421**

(22) Filed: **Jan. 21, 2020**

(51) **LOC (13) Cl.** **12-16**

(52) **U.S. Cl.**
USPC **D12/419**

(58) **Field of Classification Search**
USPC D12/192, 415–426; 296/37.1, 37.8,
296/37.13, 70, 24.3; 280/752, DIG. 5;
224/42.11, 926, 540–542; 180/190
CPC B60R 7/00; B60R 7/04; B60R 7/08; B60R
7/06; B60K 35/00; B60K 37/00; B60K
37/02; B60K 37/04; B64D 11/06; B64D
11/0007

See application file for complete search history.

(56) **References Cited**

U.S. PATENT DOCUMENTS

D224,673	S *	8/1972	Brooks	D12/419
D342,170	S *	12/1993	Palmer	D12/419
D358,956	S *	6/1995	Mitjans	D6/716.2
6,015,198	A	1/2000	Stair		
D427,139	S *	6/2000	Noval	D12/419
6,109,580	A	8/2000	Stern et al.		
6,220,660	B1	4/2001	Bedro et al.		
6,426,869	B1	7/2002	White		
6,732,990	B2	5/2004	Hudson		
7,198,327	B2	4/2007	Bergin		
7,681,852	B2	3/2010	Magee		

8,807,051	B2	8/2014	Johnson		
D766,669	S	9/2016	Jansma		
10,363,853	B1	7/2019	Baker		
D874,386	S *	2/2020	Smith	D12/421
D883,901	S *	5/2020	McMurrin	D12/419
2003/0141424	A1	7/2003	Thomas		
2008/0083351	A1	4/2008	Lippert et al.		

* cited by examiner

Primary Examiner — Abraham Bahta

(74) *Attorney, Agent, or Firm* — Carla Gannon Law

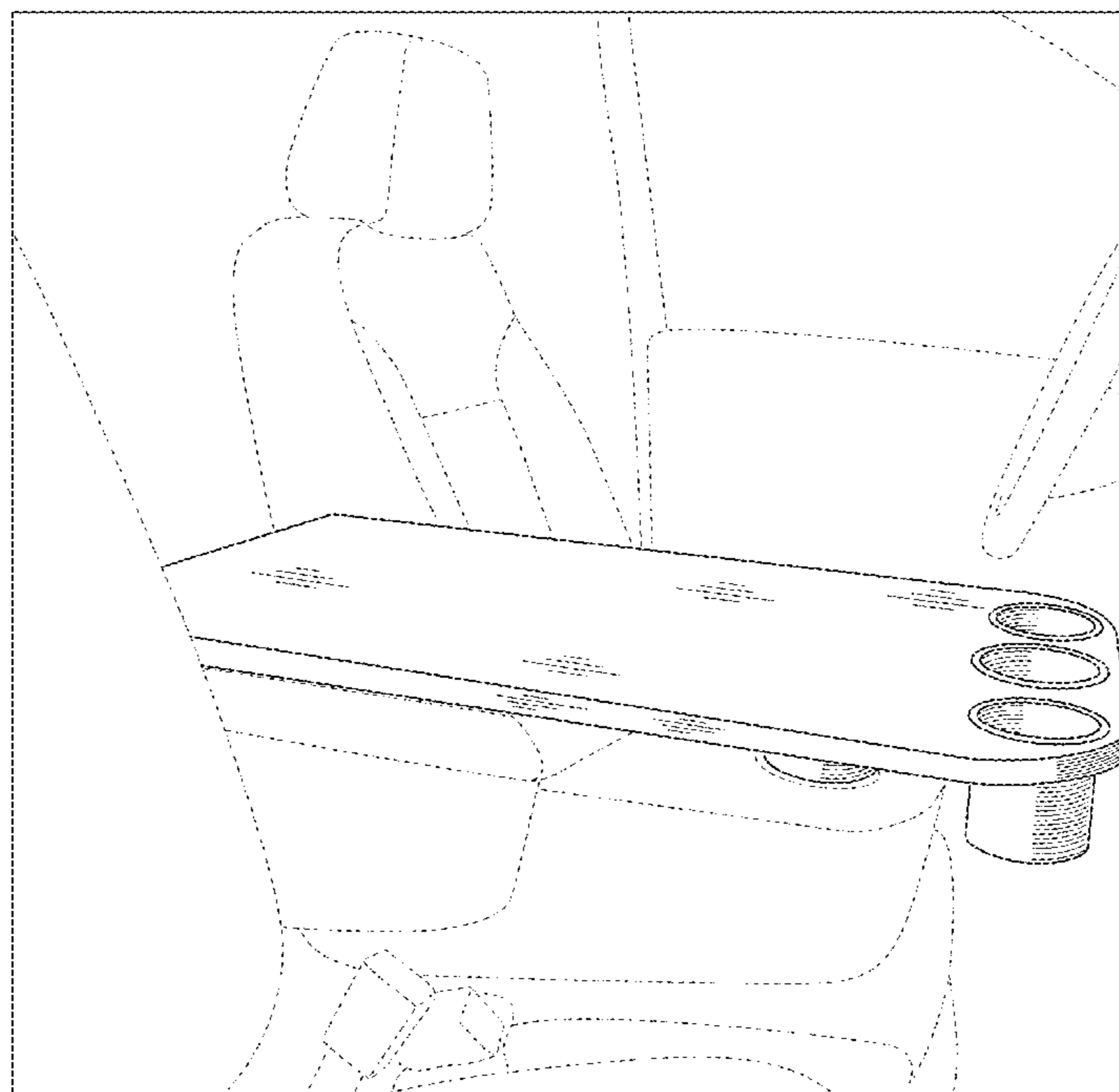
(57) **CLAIM**

I claim the ornamental design for a desk surface for a vehicle, as shown and described.

DESCRIPTION

FIG. 1 is a top view of the desk surface for a vehicle; FIG. 2 is the bottom view of the desk surface of FIG. 1; FIG. 3 is the left side view of the desk surface of FIG. 1; FIG. 4 is the right side view of the desk surface of FIG. 1; FIG. 5 is a front side view of the desk surface of FIG. 1; FIG. 6 is a rear side view of the desk surface of FIG. 1; FIG. 7 is a top perspective view of the desk surface of FIG. 1; FIG. 8 is a bottom perspective view of the desk surface of FIG. 1; FIG. 9 is a view of the desk surface of FIG. 1 positioned in a vehicle in normal use; and, FIG. 10 is a view of the desk surface of FIG. 1 aligned with a vehicle's center console for normal use. The broken lines showing the vehicle and console in FIG. 9, and the broken lines showing the console and alignment of desk surface with console in FIG. 10 are included for purposes of illustrating the desk surface in normal use, and form no part of the claimed invention.

1 Claim, 8 Drawing Sheets



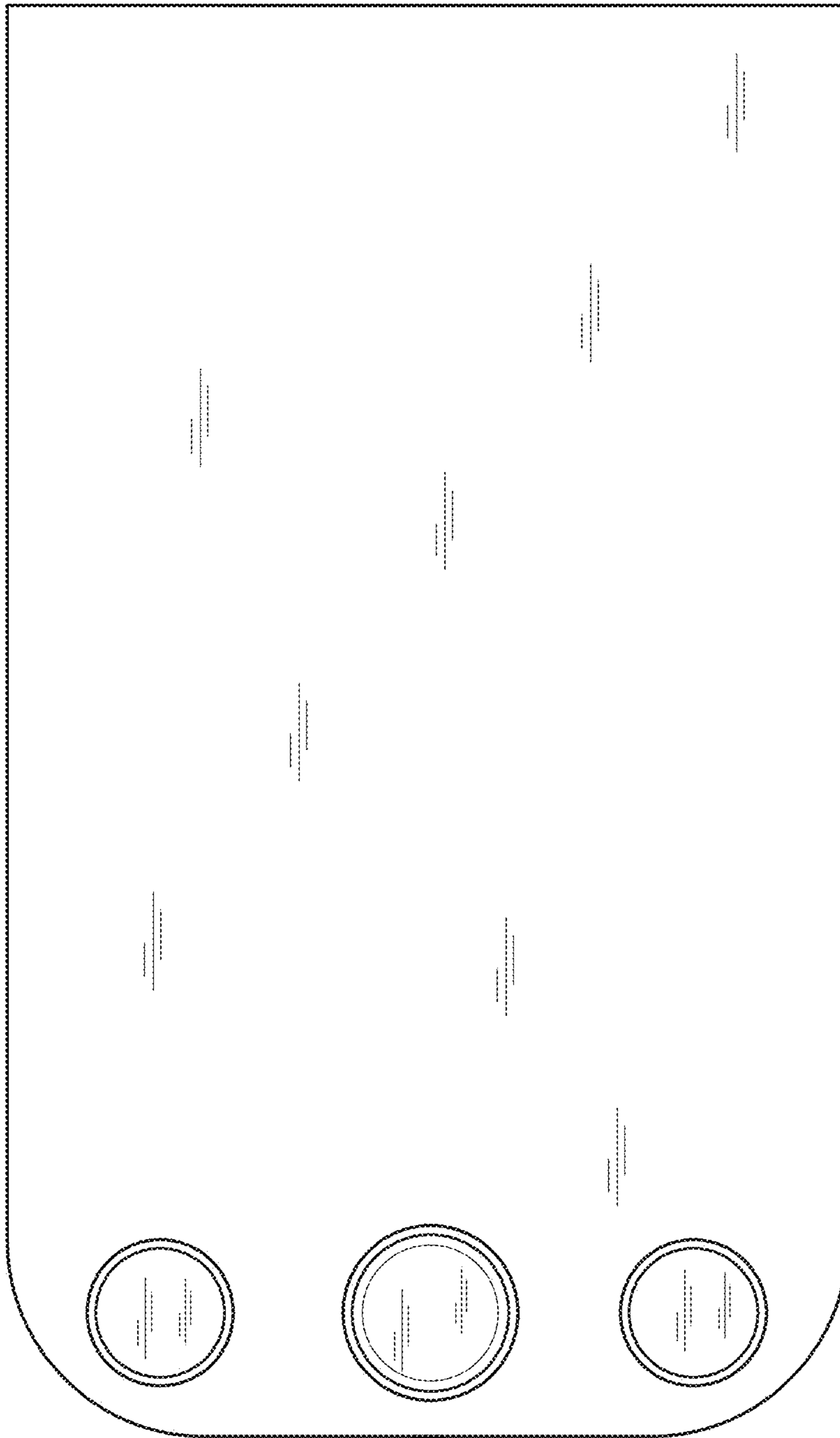


FIG. 1

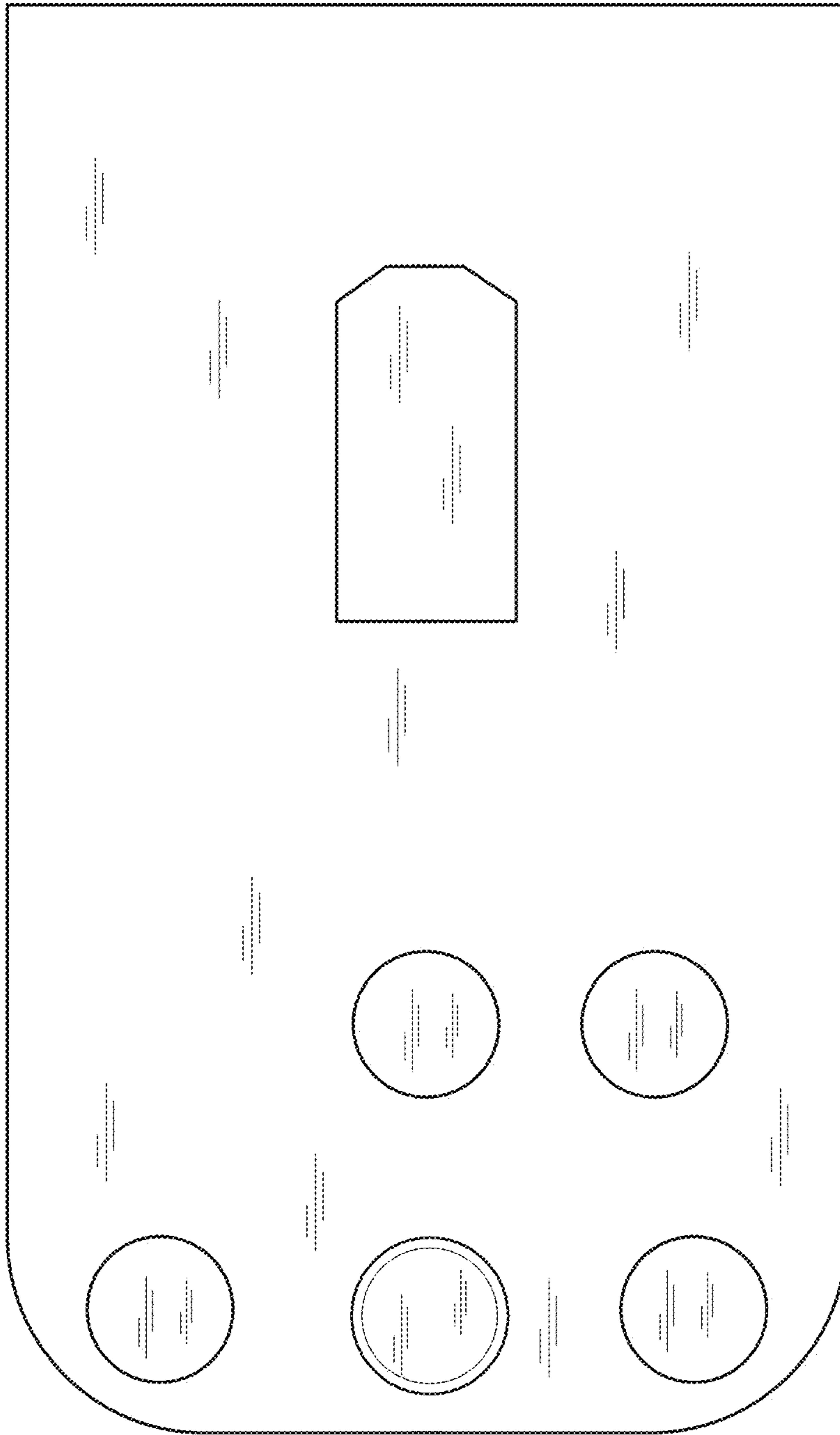
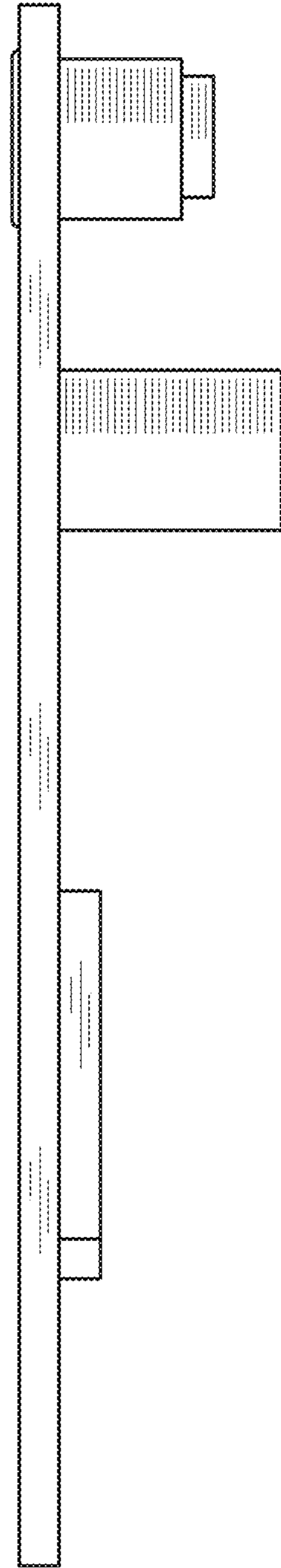
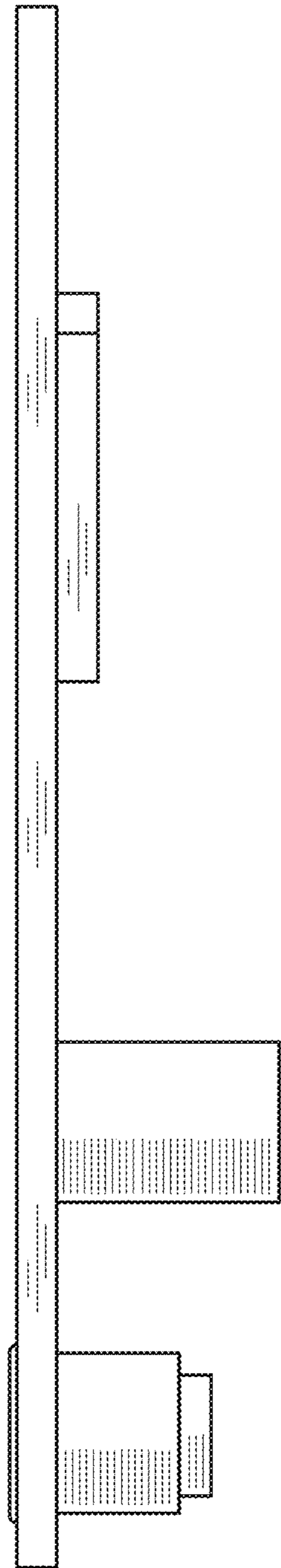


FIG. 2



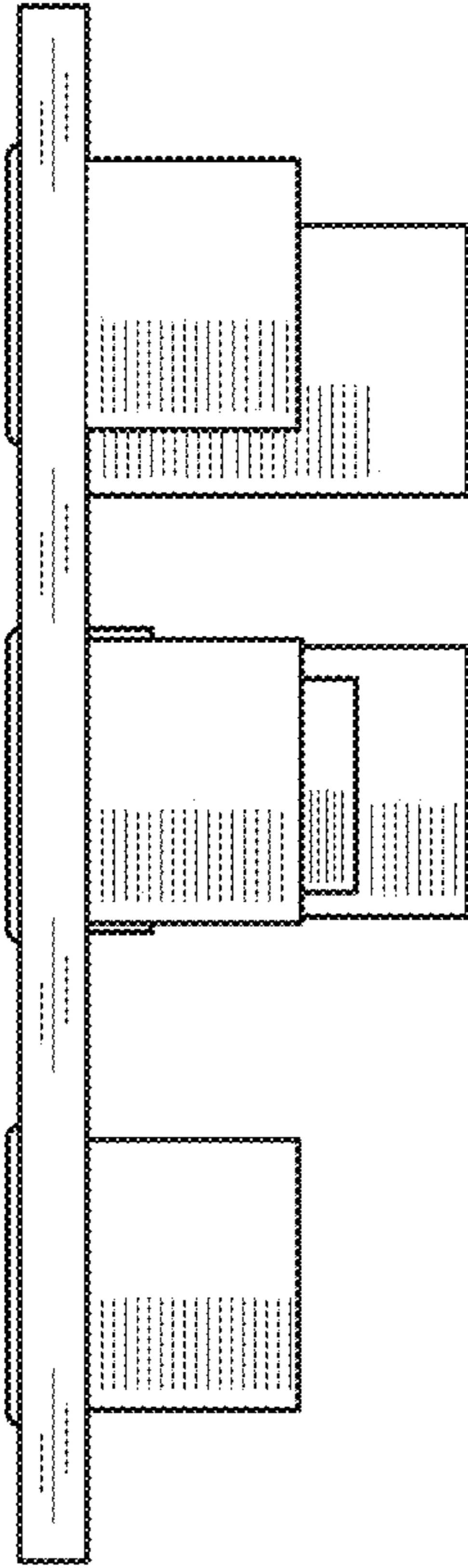


FIG. 5

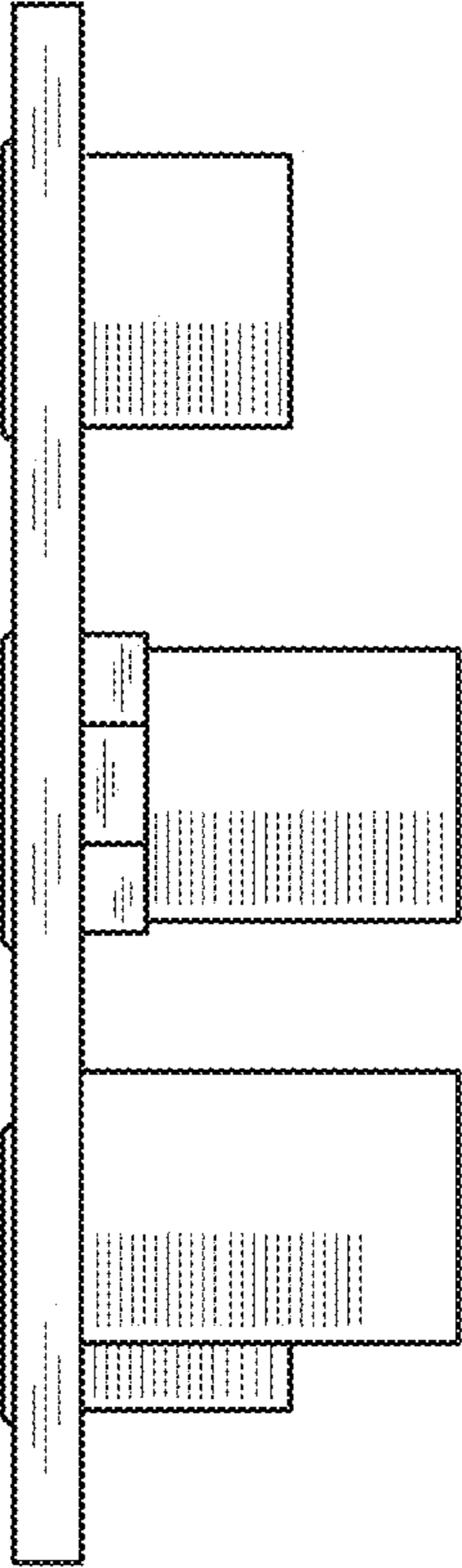


FIG. 6

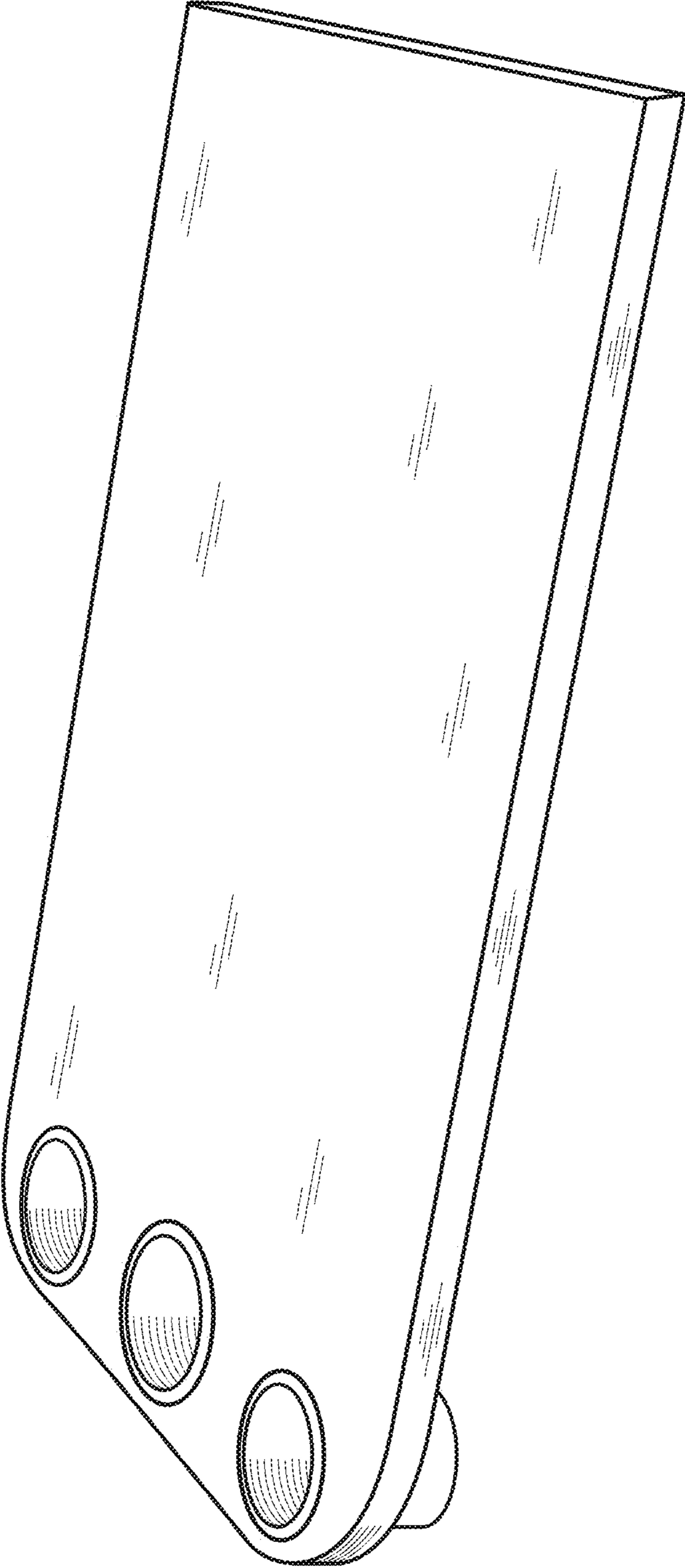


FIG. 7

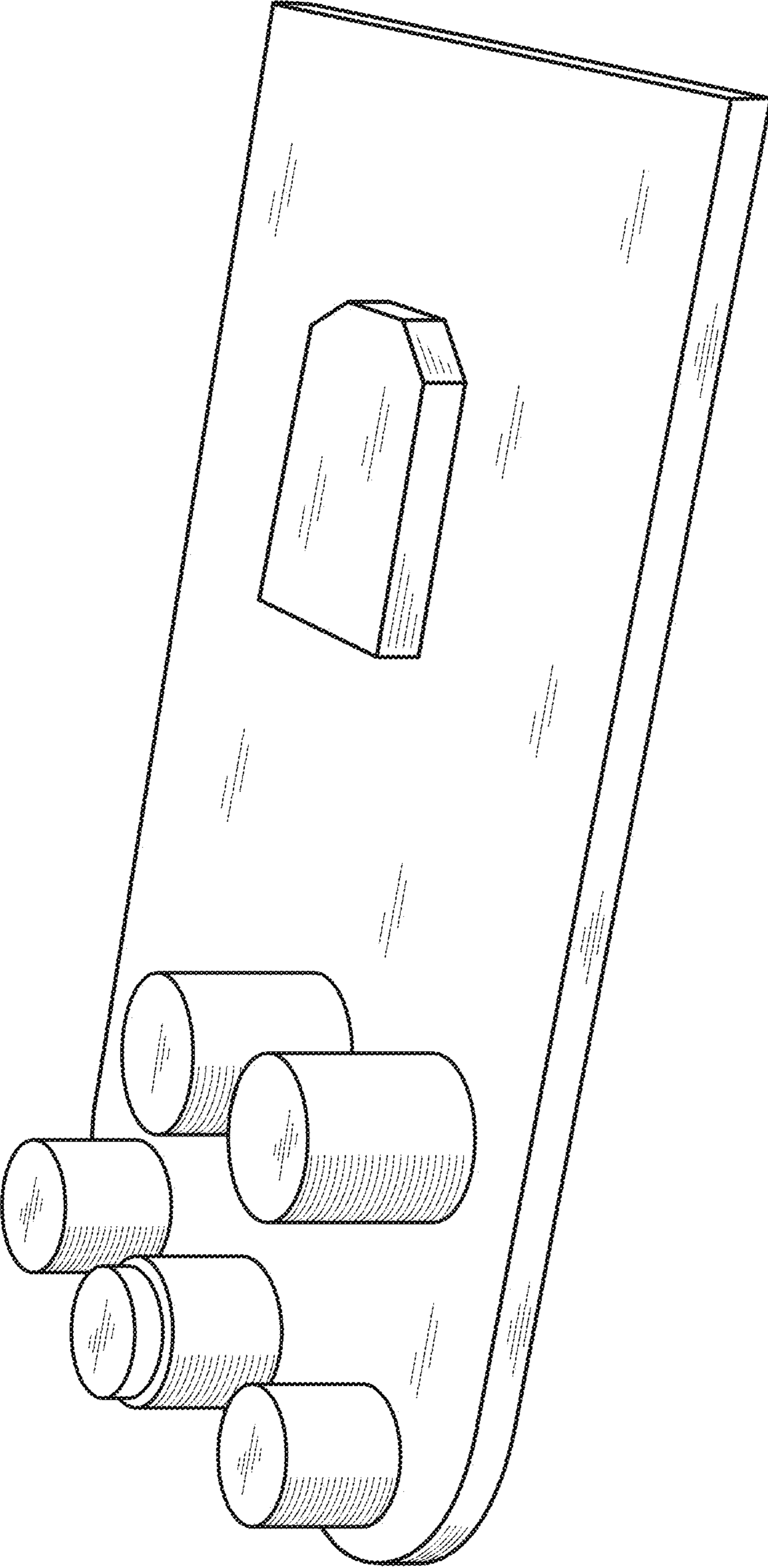


FIG. 8

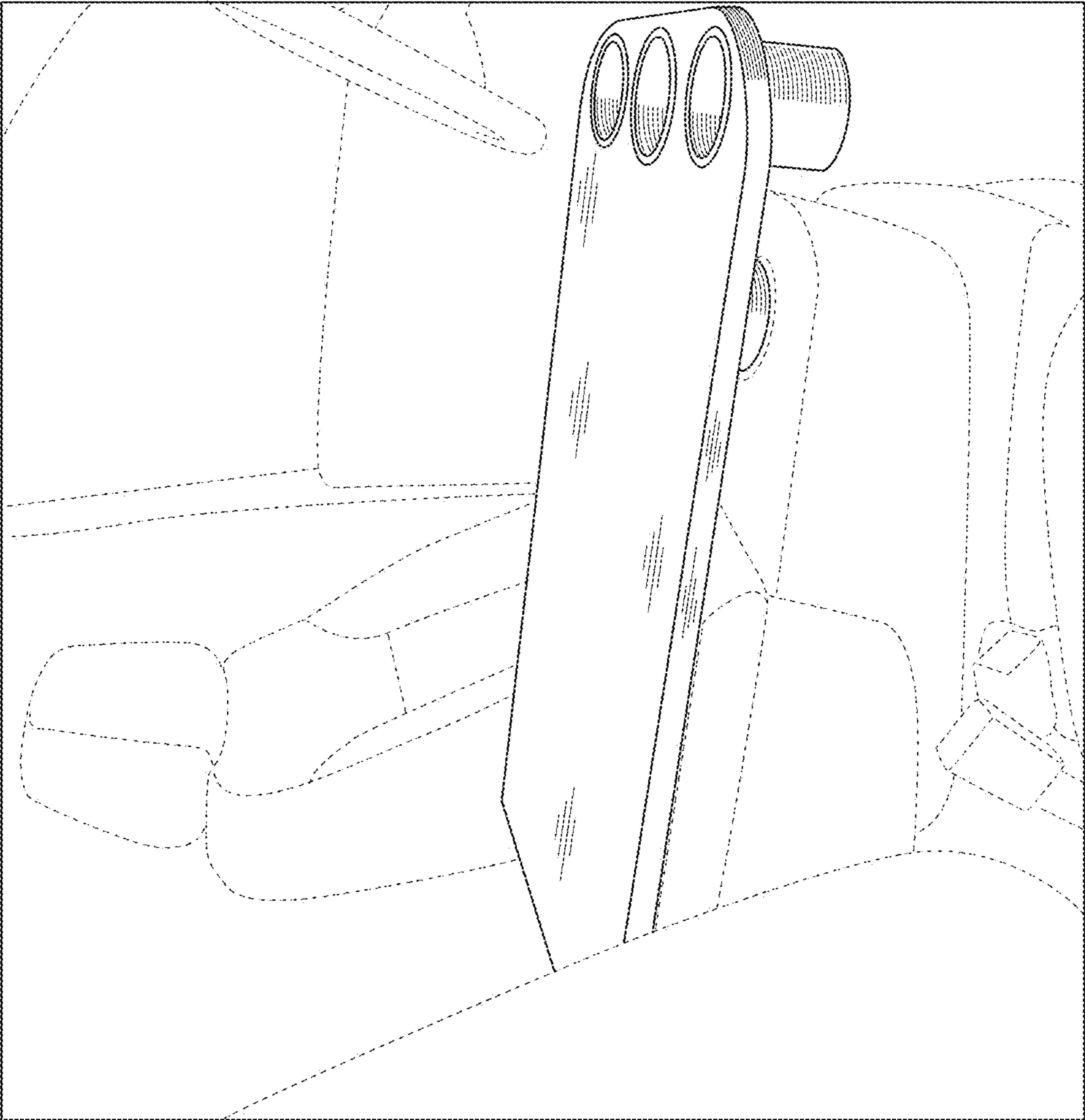


FIG. 9

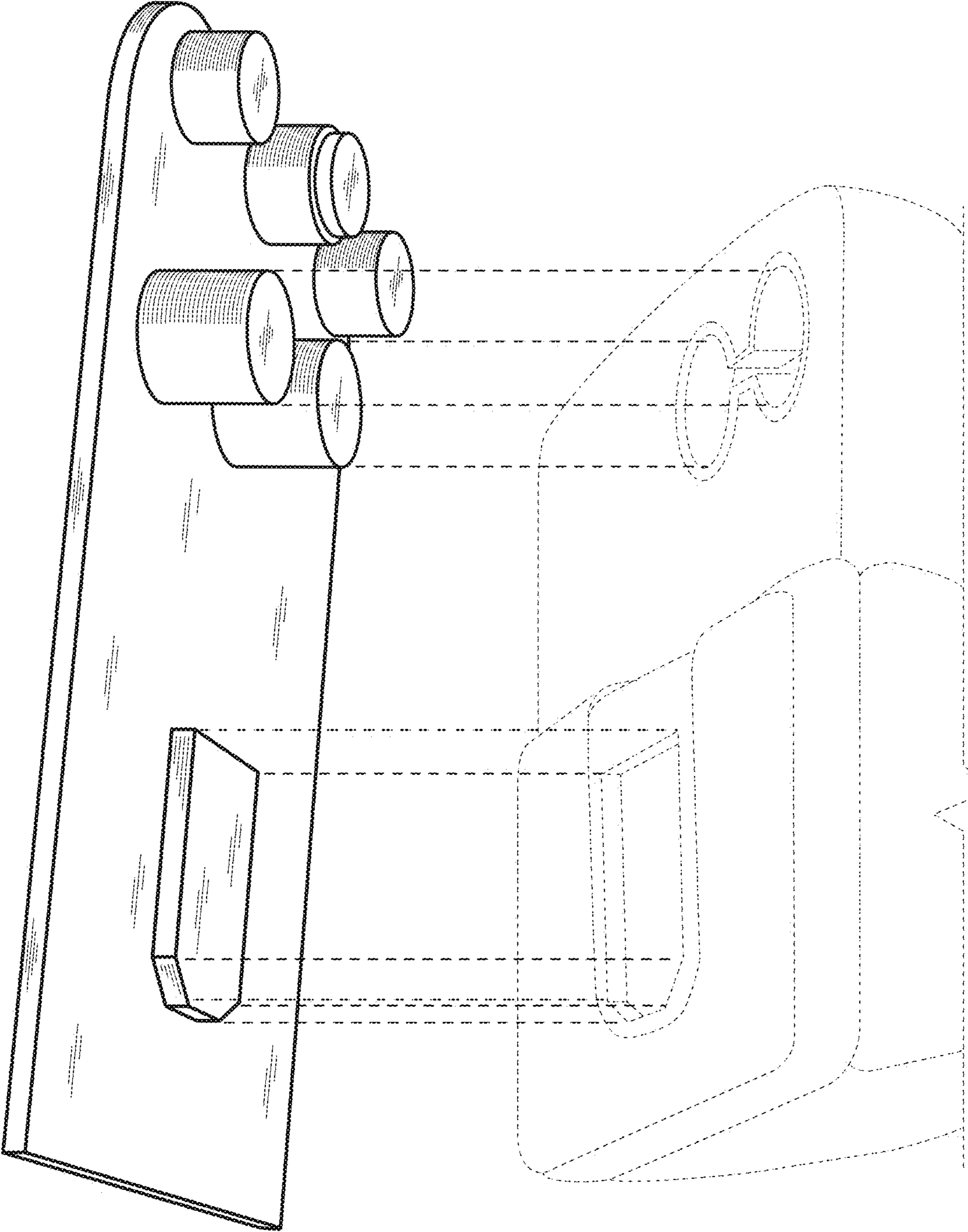


FIG. 10