

US00D922303S

(12) **United States Design Patent** (10) **Patent No.:** **US D922,303 S**
Park et al. (45) **Date of Patent:** **** Jun. 15, 2021**

(54) **CENTER CONSOLE FOR AUTOMOBILE**
(71) Applicant: **LG Electronics Inc.**, Seoul (KR)
(72) Inventors: **Sangmin Park**, Seoul (KR); **Hansoo Kim**, Seoul (KR); **Seunghwan Song**, Seoul (KR); **Sewon Chun**, Seoul (KR)
(73) Assignee: **LG ELECTRONICS INC.**, Seoul (KR)
(**) Term: **15 Years**

D672,307 S * 12/2012 von Holzhausen D12/415
D672,706 S * 12/2012 Okumura D12/415
8,322,768 B2 * 12/2012 Carnevali B60R 13/0262
296/24.34
D718,218 S * 11/2014 Tanaka D12/424
8,915,531 B2 * 12/2014 Horton B60R 7/04
296/37.8
D724,521 S * 3/2015 Ashley D12/419
D742,299 S * 11/2015 Williams D12/415
D742,300 S * 11/2015 Fontaeus D12/415
9,199,562 B2 * 12/2015 Skapof B60R 7/04
9,199,579 B2 * 12/2015 Gillis B60R 7/04
D758,284 S * 6/2016 Ringer D12/415
D766,811 S * 9/2016 Shouno D12/419

(Continued)

(21) Appl. No.: **35/508,738**
(22) Filed: **Jun. 19, 2019**

Primary Examiner — Darlington Ly
(74) *Attorney, Agent, or Firm* — Birch, Stewart, Kolasch & Birch LLP

(80) **Hague Agreement Data**
Int. Filing Date: **Jun. 19, 2019**
Int. Reg. No.: **DM/206174**
Int. Reg. Date: **Jun. 19, 2019**
Int. Reg. Pub. Date: **Mar. 6, 2020**

(57) **CLAIM**
The ornamental design for a center console for automobile, as shown and described.

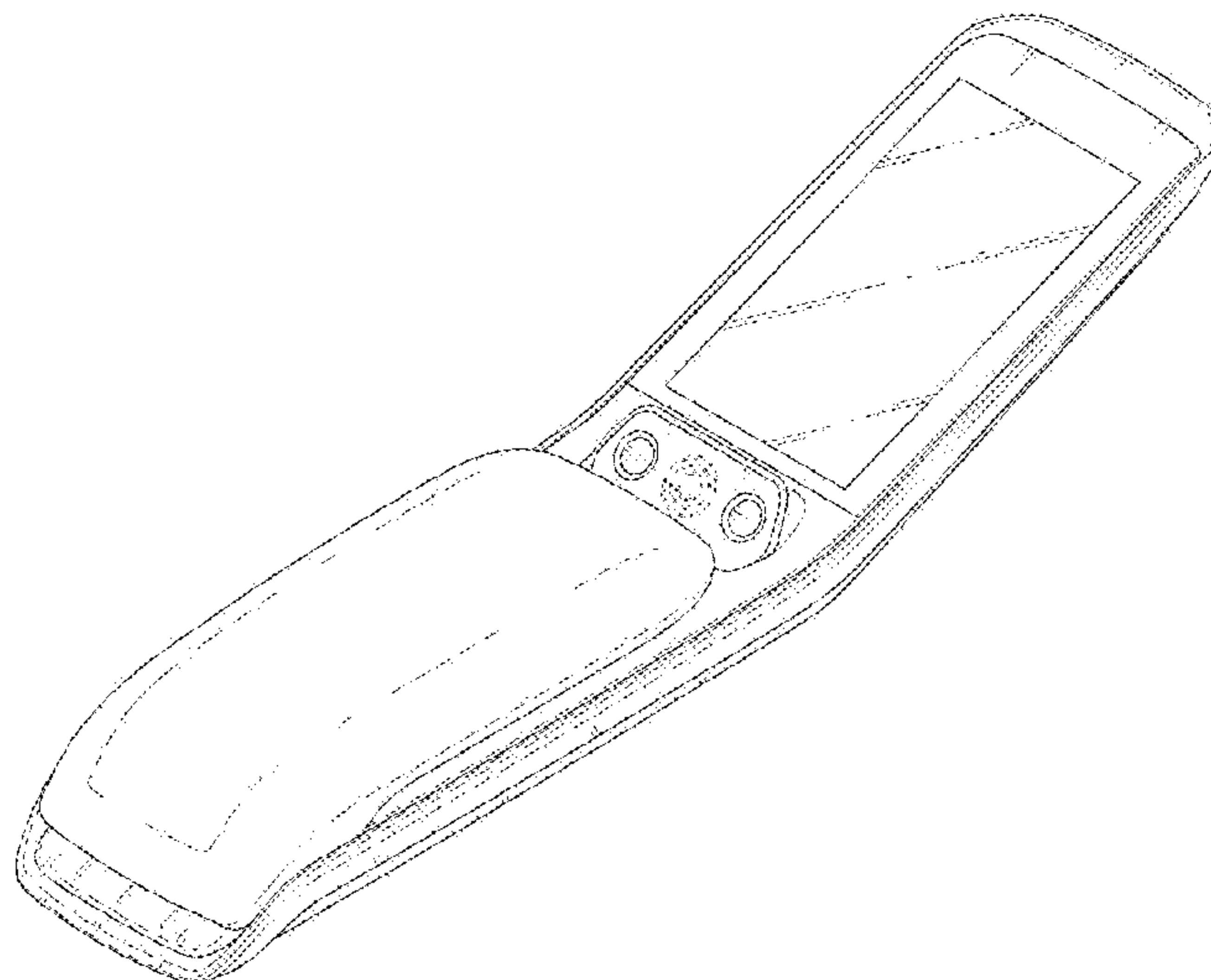
(30) **Foreign Application Priority Data**
Dec. 19, 2018 (KR) 30-2018-0060106
(51) **LOC (13) Cl.** **12-16**
(52) **U.S. Cl.**
USPC **D12/415**
(58) **Field of Classification Search**
USPC D12/96, 99, 106, 191, 195, 345, 400,
D12/415, 416, 417, 418, 419, 420, 421;
D15/619.1-625, 701
CPC B60R 7/04; B60R 7/06; B60R 7/08; B60R
11/00; B60N 3/10
See application file for complete search history.

DESCRIPTION

1. Center console for automobile
1.1 is a top, front, and right side perspective view of a center console for automobile showing our new design;
1.2 is a front elevation view thereof;
1.3 is a rear elevation view thereof;
1.4 is a left side elevation view thereof;
1.5 is a top plan view thereof;
1.6 is a bottom plan view thereof;
1.7 is a top, front, and right side perspective view thereof as installed into an exemplary automobile; and
1.8 is a top, front, and right side perspective view thereof with an exemplary mobile device attached.
The broken line showing portions of the center console for automobile do not form part of the claimed design. The broken line showings of the automobile interior and mobile phone device are provided for the purpose of illustrating environmental structures and also form no part of the claimed design.

(56) **References Cited**
U.S. PATENT DOCUMENTS
D522,957 S * 6/2006 Miyashita D12/415
D568,232 S * 5/2008 Motozaki D12/421

1 Claim, 8 Drawing Sheets



(56)

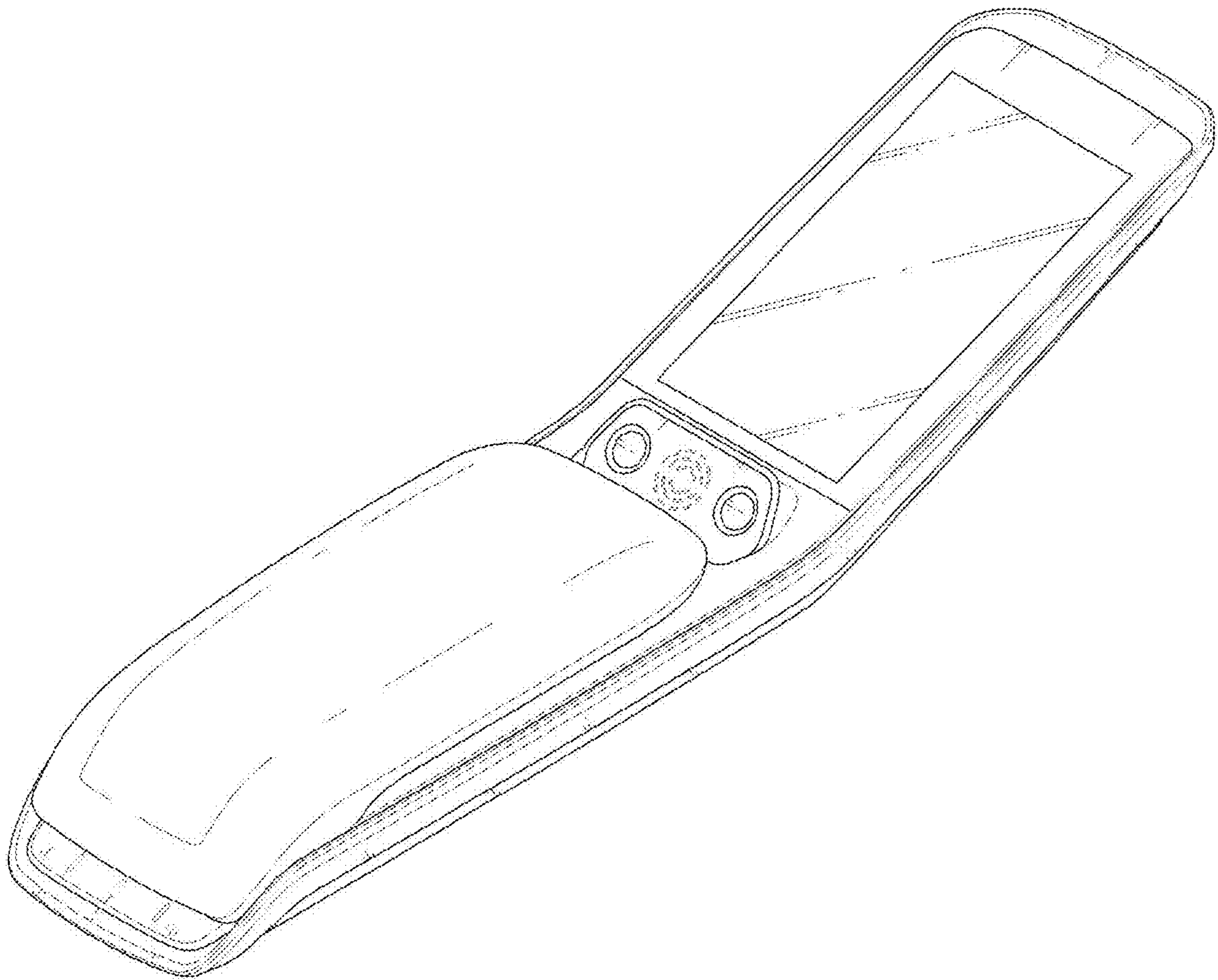
References Cited

U.S. PATENT DOCUMENTS

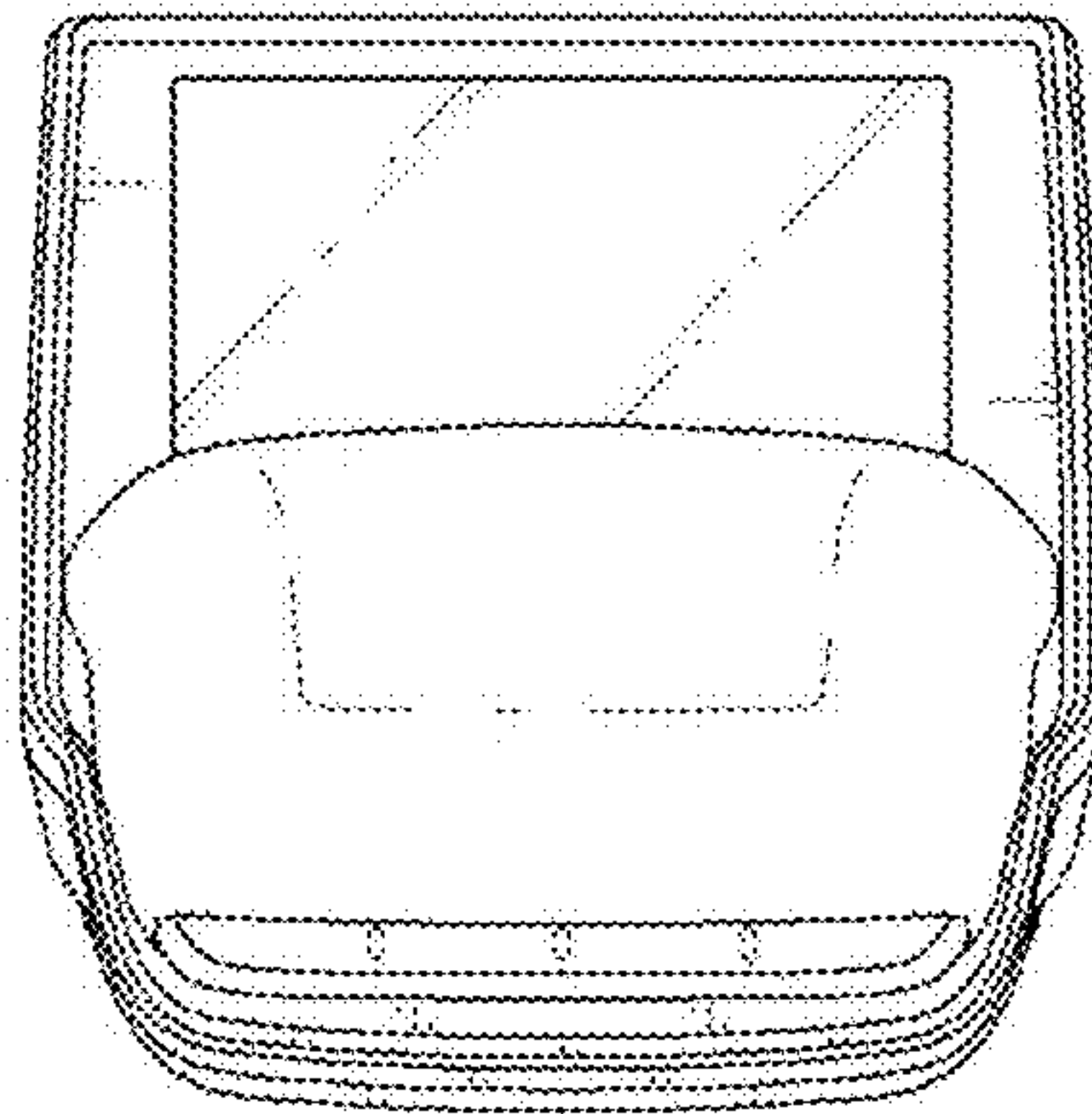
D766,812	S	*	9/2016	Kabata	D12/423
D770,968	S	*	11/2016	Willis	D12/415
D784,909	S	*	4/2017	Lee	D12/419
D786,171	S	*	5/2017	Smallhorn	D12/345
D787,420	S	*	5/2017	Smallhorn	D12/345
D788,020	S	*	5/2017	Yaguchi	D12/415
D804,393	S	*	12/2017	Yoo	D12/415
D807,277	S	*	1/2018	Lee	D12/415
D825,437	S	*	8/2018	Hilton	D12/415
D826,838	S	*	8/2018	Boyes	D12/415
D830,950	S	*	10/2018	Lee	D12/415
D836,059	S	*	12/2018	Takagi	D12/415
D836,060	S	*	12/2018	Takagi	D12/415
10,175,802	B2	*	1/2019	Boggs	G02F 1/13338
D869,380	S	*	12/2019	Kabata	D12/415
D876,318	S	*	2/2020	Ray	D12/415
D876,994	S	*	3/2020	Collins	D12/133
D887,954	S	*	6/2020	Xu	D12/415
D890,078	S	*	7/2020	Nakao	D12/415
D897,271	S	*	9/2020	Shikano	D12/415
10,761,617	B2	*	9/2020	Tsukamoto	G06F 3/03547
D908,073	S	*	1/2021	Warner	D12/415

* cited by examiner

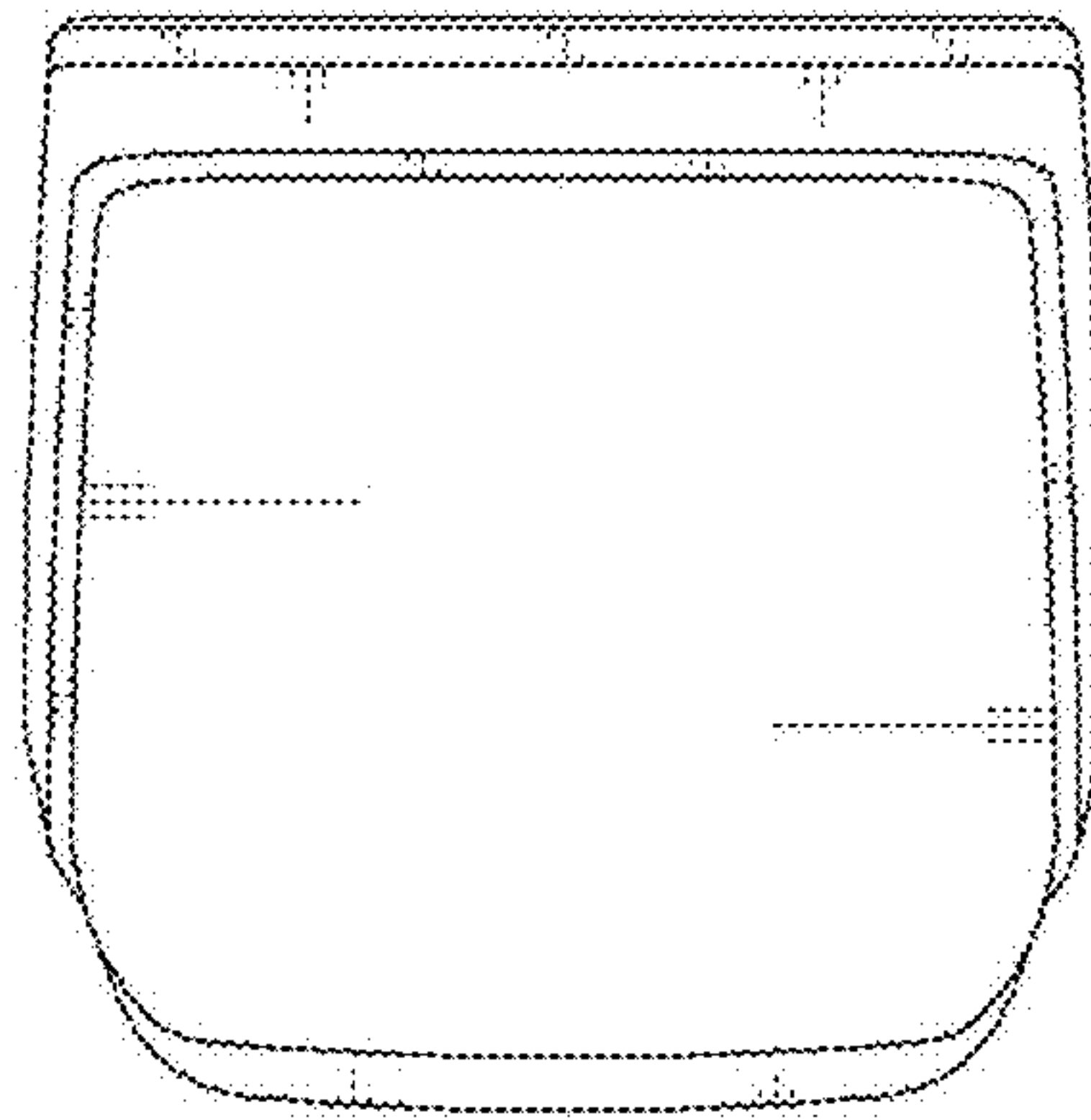
1.1



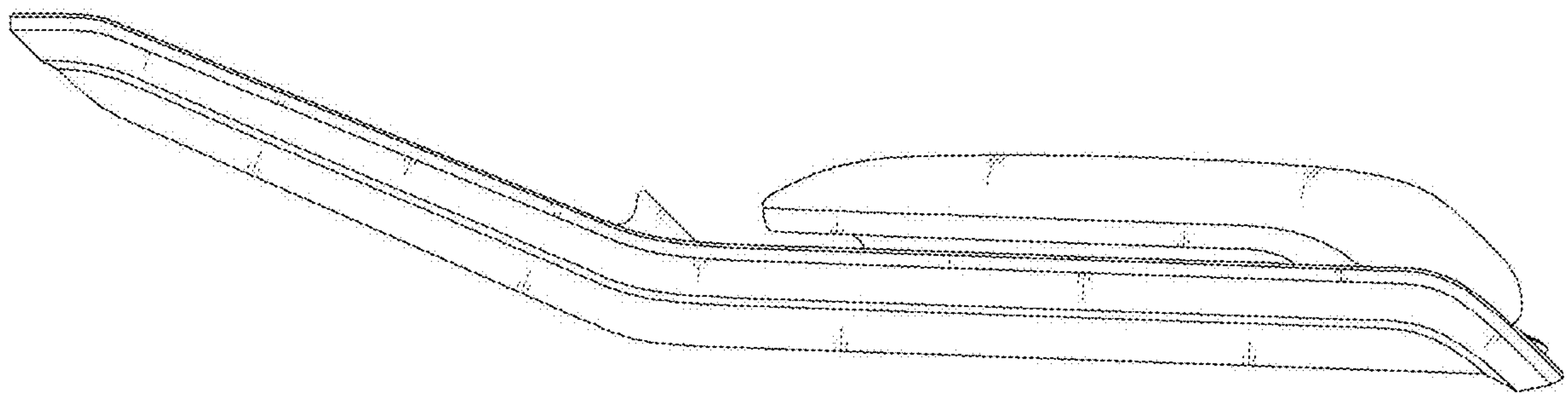
1.2



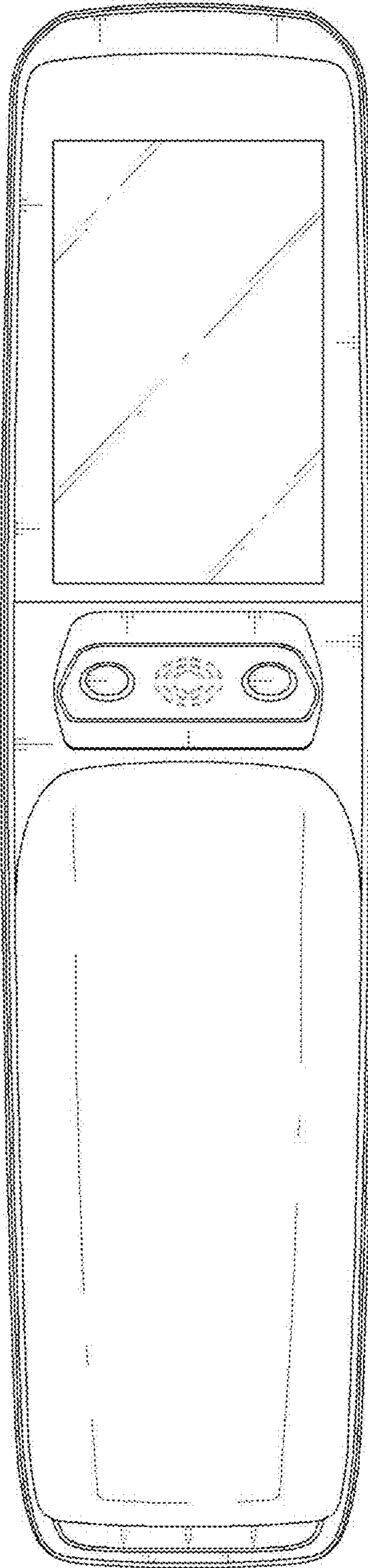
1.3



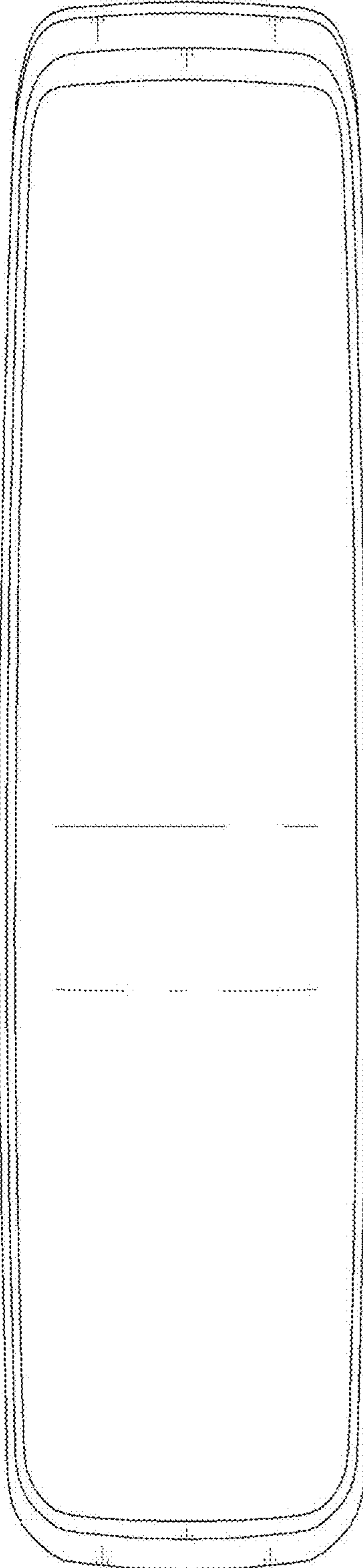
1.4



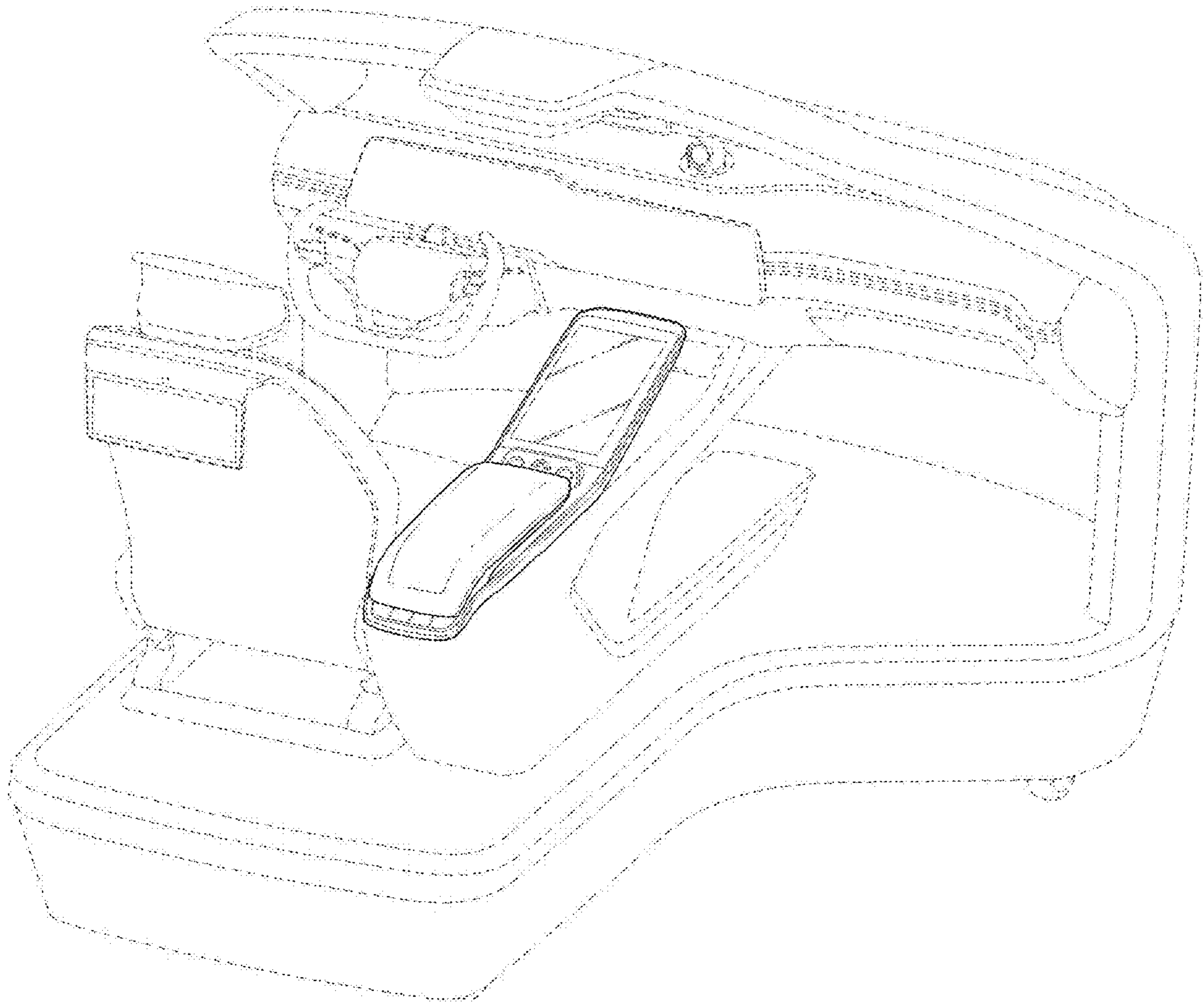
1.5



1.6



1.7



1.8

