



US00D922301S

(12) **United States Design Patent** (10) **Patent No.:** **US D922,301 S**
Engle (45) **Date of Patent:** **** Jun. 15, 2021**

(54) **UNDERWATER ROBOTIC VEHICLE**

(71) Applicant: **RJE Ocean Robotics LLC**, Irvine, CA (US)

(72) Inventor: **Ryan Engle**, San Diego, CA (US)

(73) Assignee: **RJE Oceanbotics LLC**, Irvine, CA (US)

(**) Term: **15 Years**

(21) Appl. No.: **29/640,317**

(22) Filed: **Mar. 13, 2018**

(51) **LOC (13) Cl.** **12-06**

(52) **U.S. Cl.**
USPC **D12/308**

(58) **Field of Classification Search**
USPC D12/308; D21/545
CPC B63G 8/00; B63G 8/001; B63G 8/002;
B63G 8/004; B63G 8/005; B63G 8/41;
B63G 8/42; B63B 3/13; G03B 17/08
See application file for complete search history.

2015/0136012 A1* 5/2015 Williams B25J 9/08
114/312

2015/0225049 A1* 8/2015 Fairfield B63G 8/001
89/1.13

2016/0114887 A1* 4/2016 Zhou H04N 5/265
348/148

2016/0229503 A1* 8/2016 Sheard B63G 8/22

2017/0088242 A1* 3/2017 Oledzki B63G 8/001

2018/0203449 A1* 7/2018 Tavares B64D 47/08

2018/0251199 A1* 9/2018 Radford B25J 9/0087

2018/0312023 A1* 11/2018 Braithwaite B29C 64/209

2019/0011335 A1* 1/2019 Tavares G01N 1/12

2019/0351985 A1* 11/2019 Adamson G06F 3/0346

2020/0398958 A1* 12/2020 Gao B63C 11/52

* cited by examiner

Primary Examiner — Cynthia M. Chin
 (74) *Attorney, Agent, or Firm* — BakerHostetler

(57) **CLAIM**
 I claim the ornamental design for an underwater robotic vehicle, as shown and described.

DESCRIPTION

FIG. 1 is a perspective view of an underwater robotic vehicle showing my new design of the present invention;
 FIG. 2 is a front view thereof;
 FIG. 3 is a rear view thereof;
 FIG. 4 is a left side view thereof;
 FIG. 5 is a right side view thereof;
 FIG. 6 is a top plan view thereof; and,
 FIG. 7 is bottom plan view thereof.
 The broken lines are for the purpose of illustrating portions of the underwater robotic vehicle that form no part of the claim.

(56) **References Cited**

U.S. PATENT DOCUMENTS

D306,425 S * 3/1990 Walker D12/308

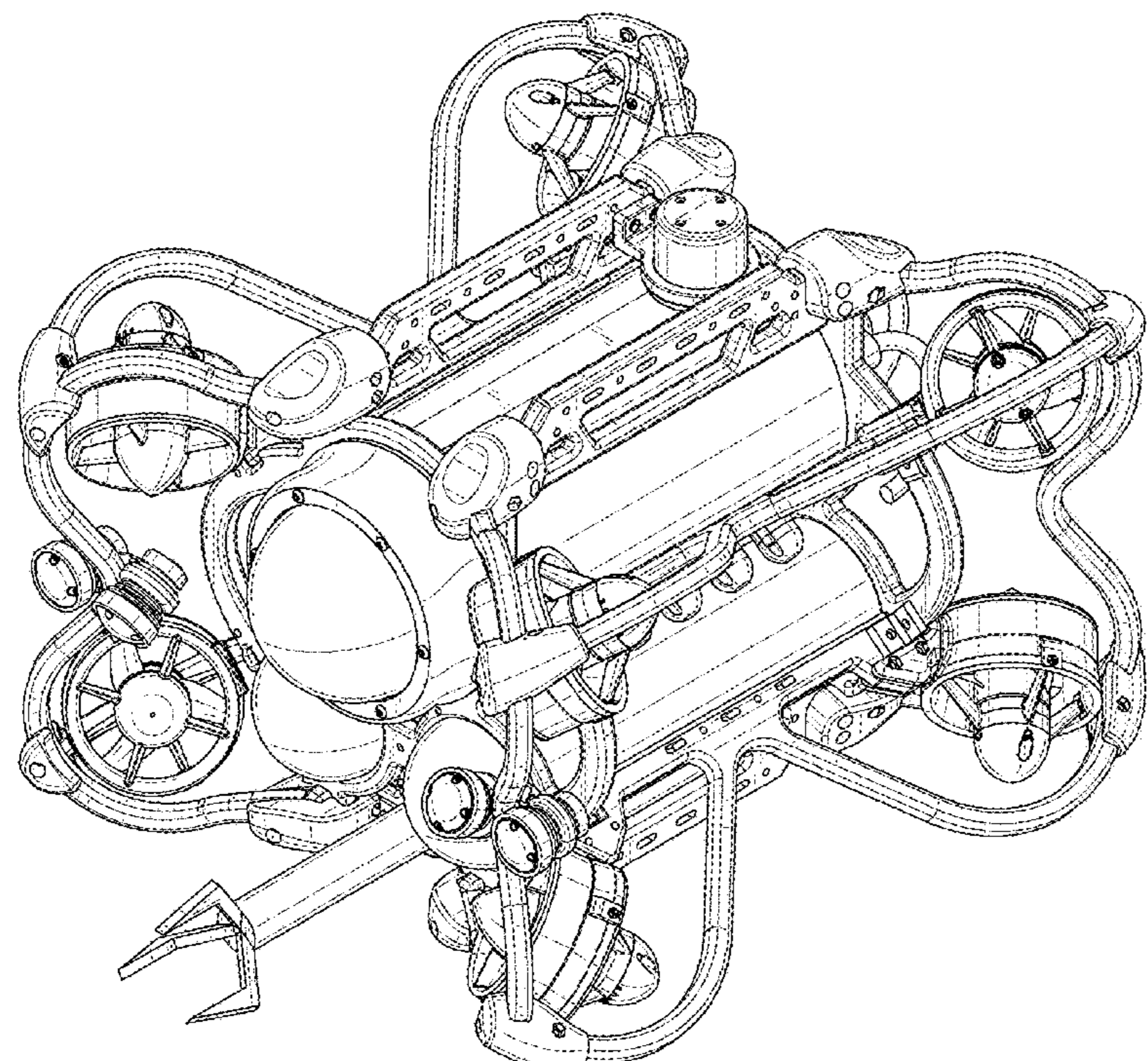
5,097,780 A * 3/1992 Winchester B63C 11/52
114/330

5,995,882 A * 11/1999 Patterson B63C 11/42
114/312

D865,633 S * 11/2019 Chen D12/308

2013/0269585 A1* 10/2013 Kim B63G 8/08
114/331

1 Claim, 7 Drawing Sheets



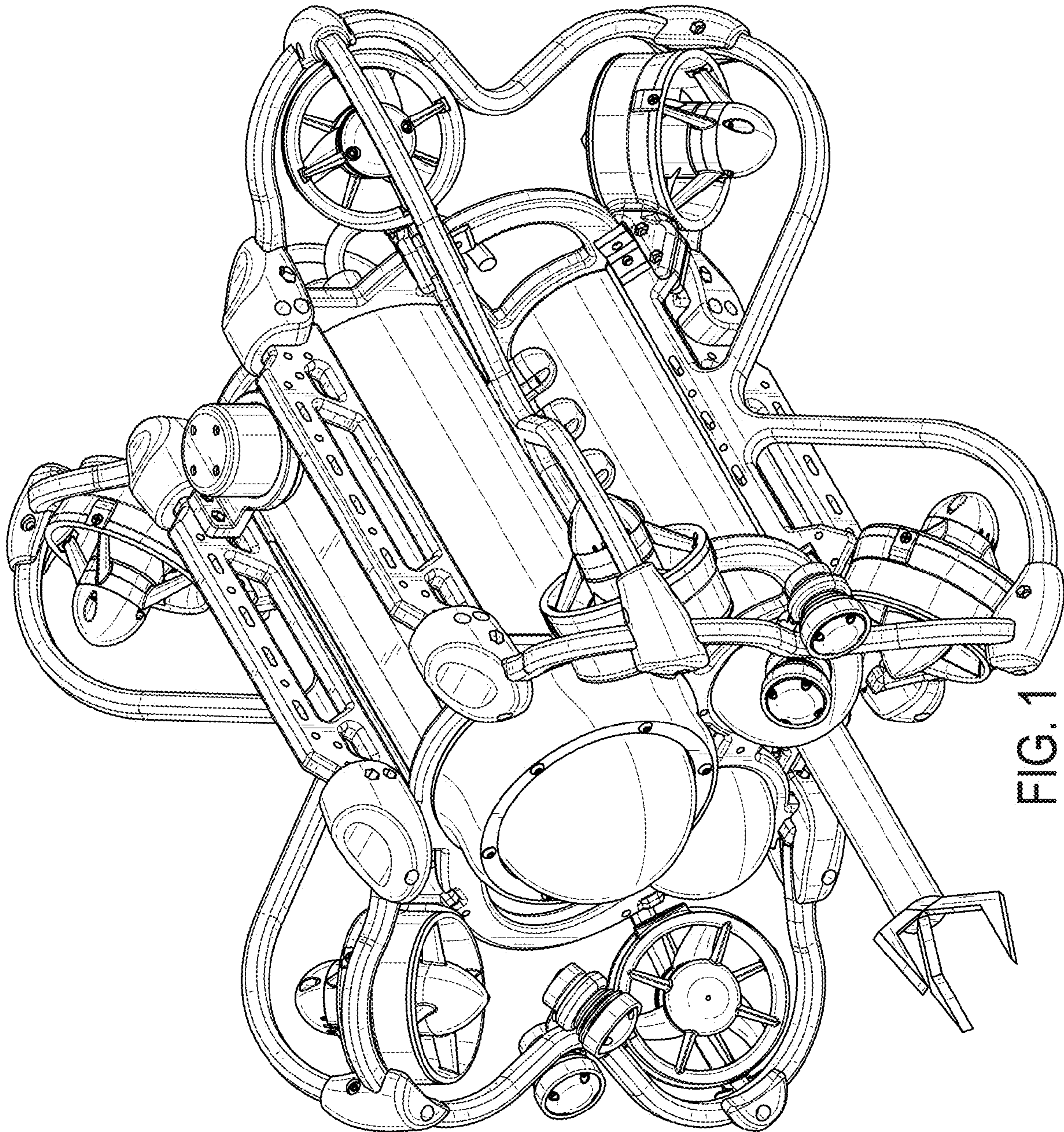


FIG. 1

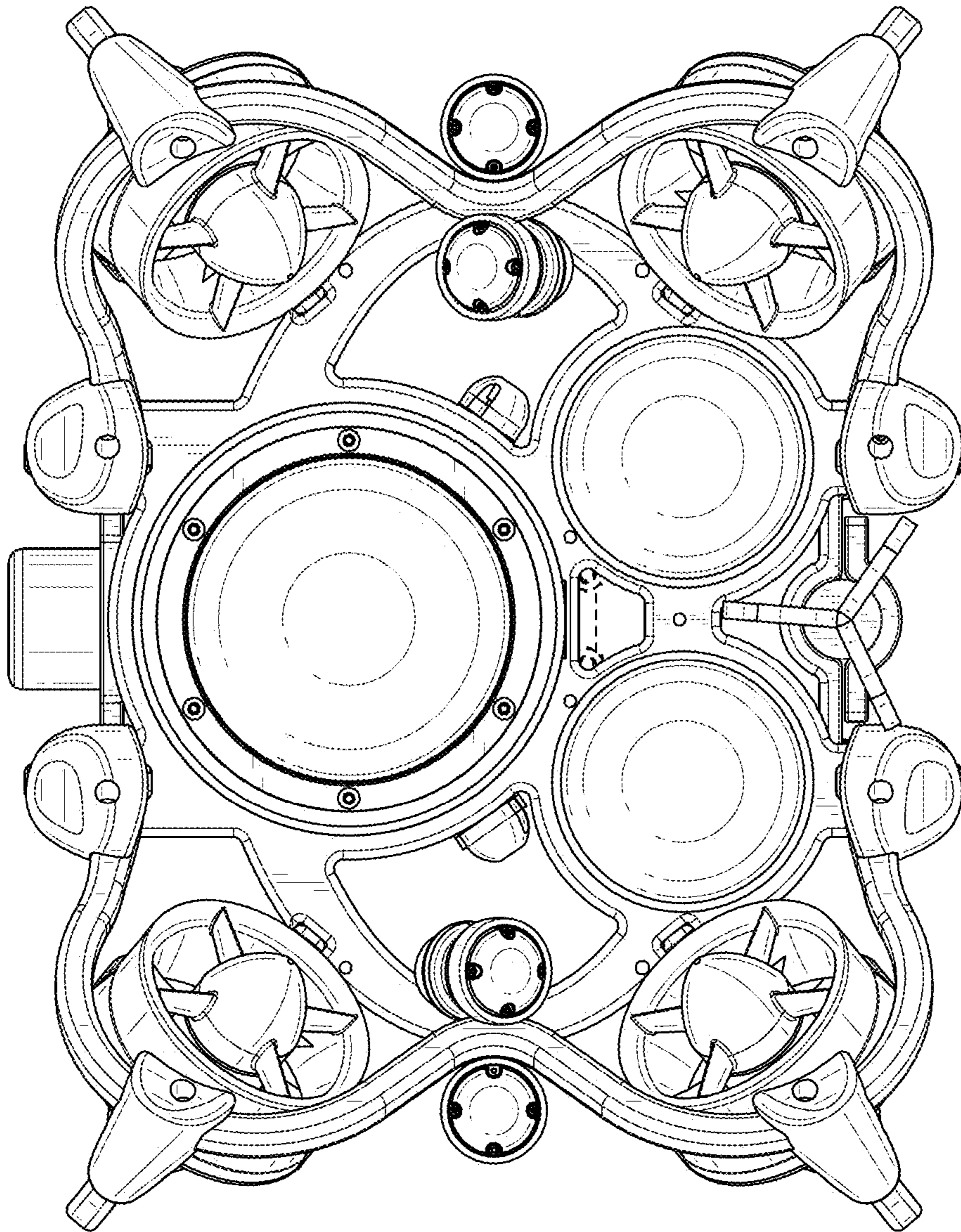


FIG. 2

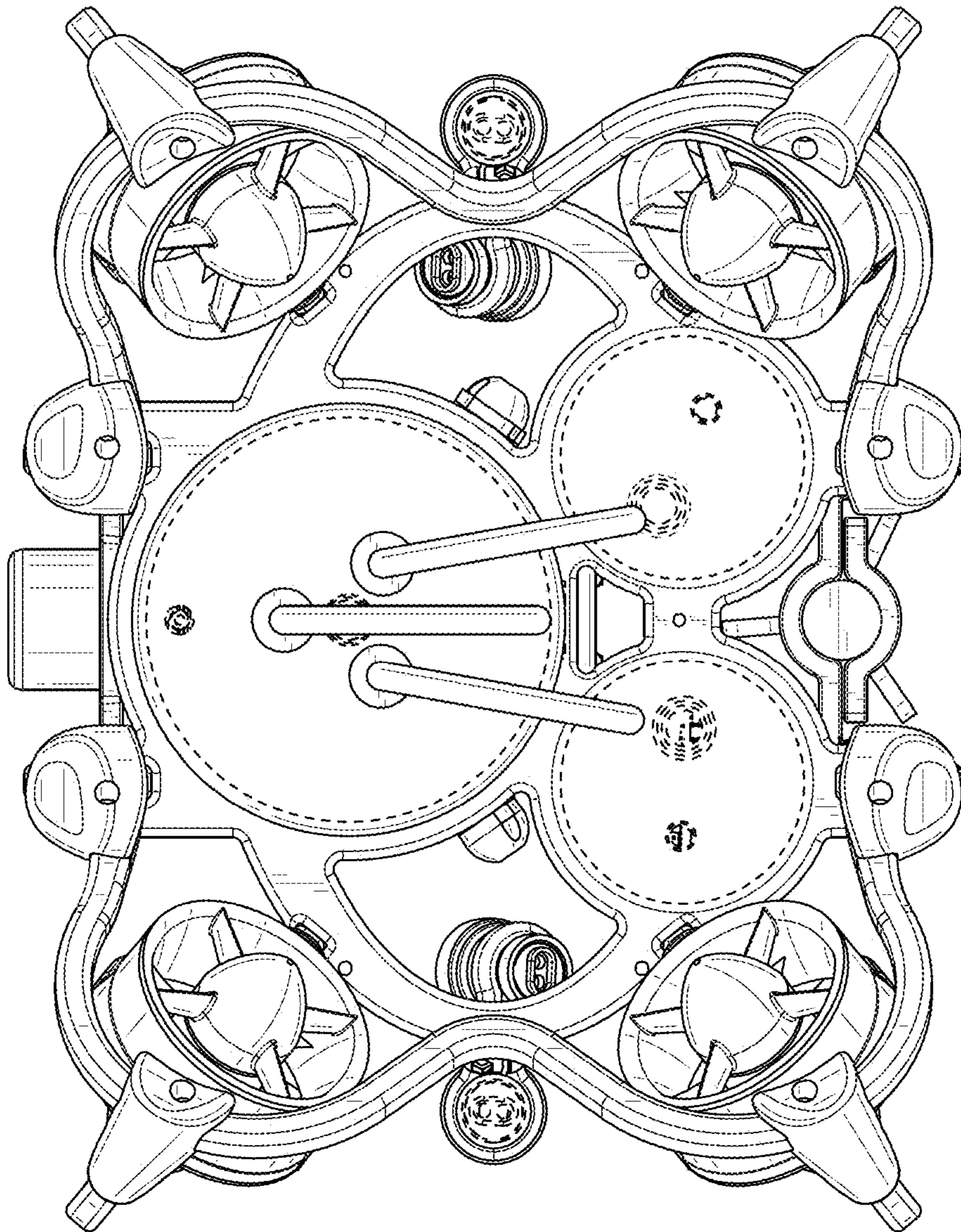


FIG. 3

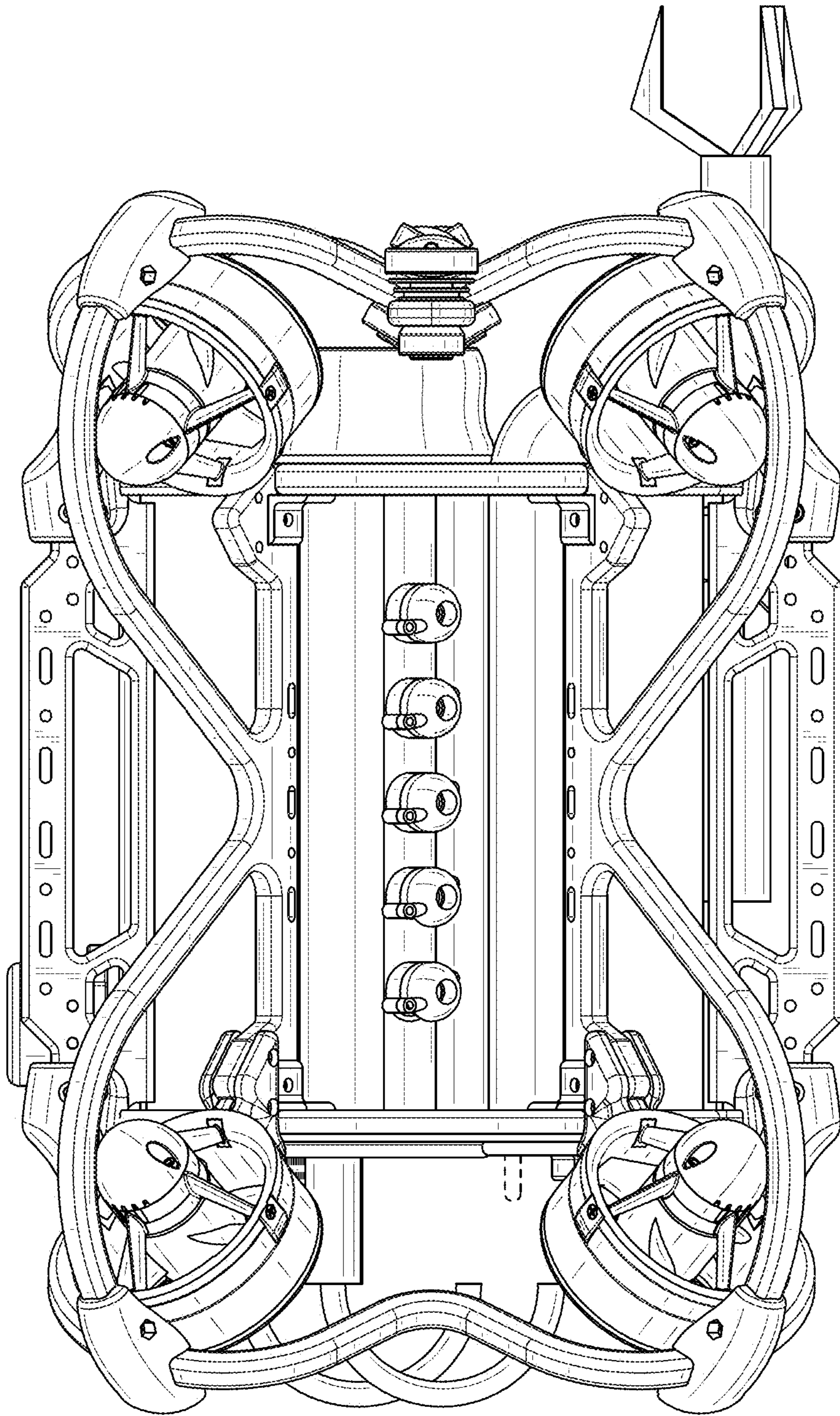


FIG. 4

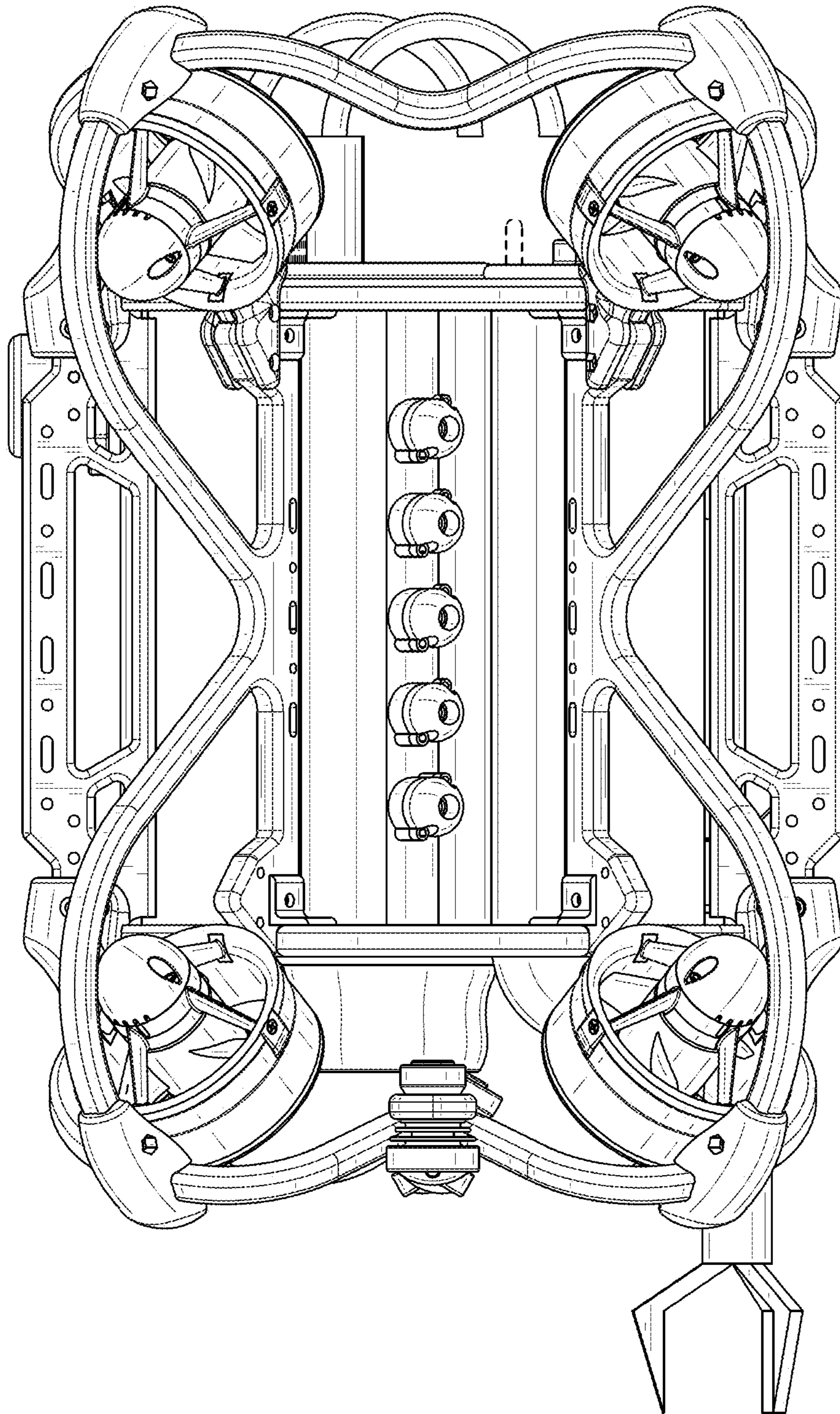


FIG. 5

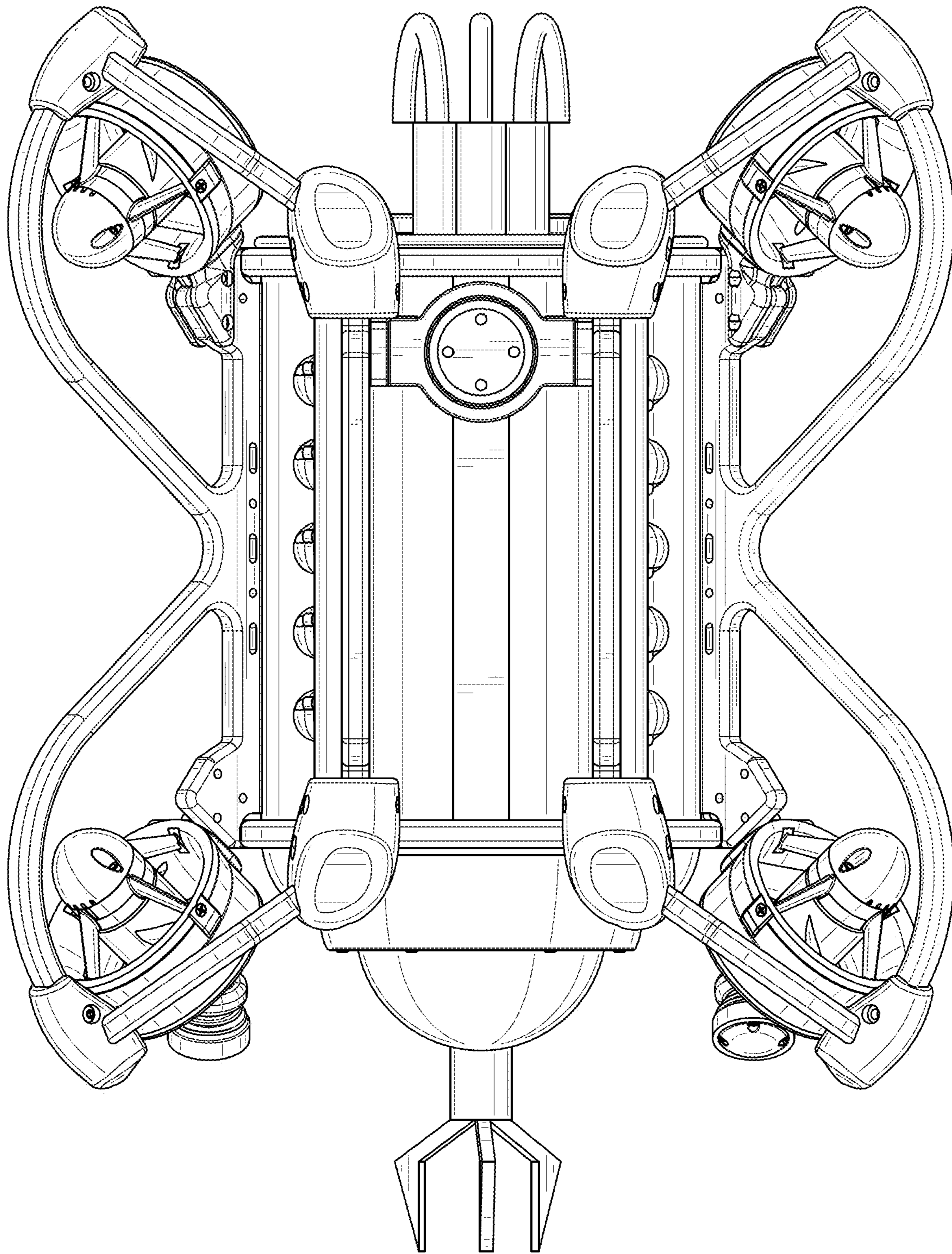


FIG. 6

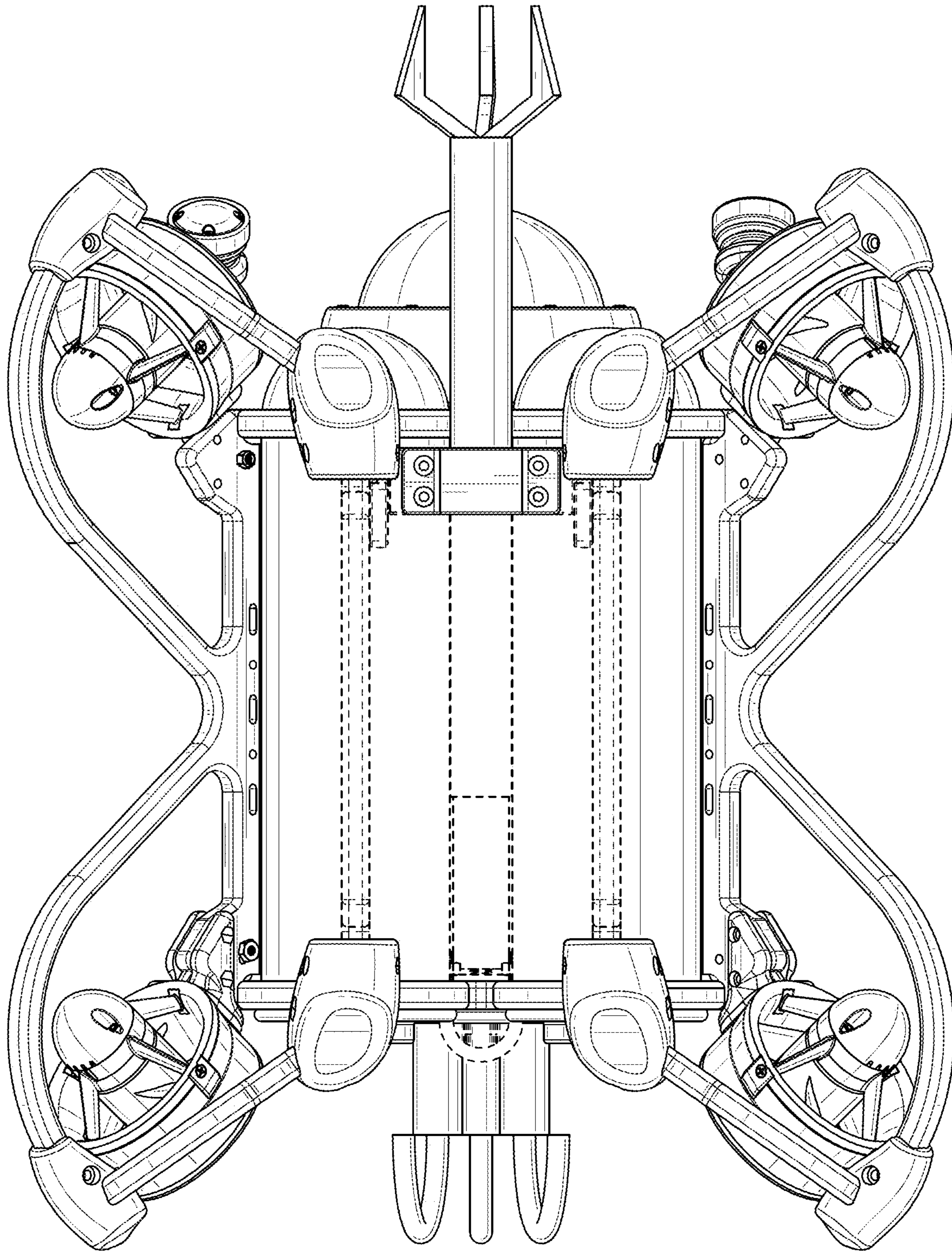


FIG. 7