



US00D922300S

(12) **United States Design Patent**  
**Brunkhurst et al.**

(10) **Patent No.:** **US D922,300 S**

(45) **Date of Patent:** **\*\* Jun. 15, 2021**

(54) **DIFFERENTIAL REINFORCEMENT BRACKET**

(71) Applicants: **Brayton Wayne Brunkhurst**, Palmyra, PA (US); **Charles Louis Capuano**, Harrisburg, PA (US)

(72) Inventors: **Brayton Wayne Brunkhurst**, Palmyra, PA (US); **Charles Louis Capuano**, Harrisburg, PA (US)

(\*\*) Term: **15 Years**

(21) Appl. No.: **29/718,895**

(22) Filed: **Dec. 30, 2019**

(51) **LOC (13) Cl.** ..... **12-16**

(52) **U.S. Cl.**  
USPC ..... **D12/223**

(58) **Field of Classification Search**  
USPC ..... D12/400, 159, 160, 223, 114, 162;  
D8/14, 349, 354, 382, 499; D15/143  
CPC .... F16H 48/38; F16H 2048/387; F16H 48/40;  
F16H 48/42; F16H 48/08; F16H 57/02;  
F16H 2057/02026; F16H 57/037; B62D  
21/11; B60D 1/02; B60G 7/02  
See application file for complete search history.

(56) **References Cited**

U.S. PATENT DOCUMENTS

D210,620 S *	3/1968	Harmsen	.....	D8/380
D279,570 S *	7/1985	Gentile	.....	D12/160
D375,284 S *	11/1996	Kass	.....	D12/162
D418,094 S *	12/1999	Schmidt	.....	D12/162
D435,211 S *	12/2000	Rusch	.....	D8/349
6,675,676 B2 *	1/2004	Beutler	.....	B60K 17/16 277/637
D495,629 S *	9/2004	Chelgren	.....	D12/133
D536,243 S *	2/2007	McNichol	.....	D8/499
D656,391 S *	3/2012	McClain	.....	D8/382
D682,750 S *	5/2013	Smith	.....	D12/162
D690,246 S *	9/2013	Giordano	.....	D12/187

8,776,937 B2 *	7/2014	Kim	.....	B60K 17/165 180/292
D777,793 S *	1/2017	Singh	.....	D15/7
D821,957 S *	7/2018	Wan	.....	D12/400
D823,096 S	7/2018	Kennelly		
D826,340 S *	8/2018	Ewing	.....	D21/561
D847,911 S *	5/2019	Wood	.....	D21/495
D847,912 S *	5/2019	Wood	.....	D21/495
D857,481 S *	8/2019	Lentine	.....	D8/354
10,443,705 B1 *	10/2019	Banks, III	.....	F16H 57/0417
D866,683 S *	11/2019	Ewing	.....	D21/561
D867,260 S	11/2019	Brunkhurst		

(Continued)

*Primary Examiner* — Holly E Thurman

*Assistant Examiner* — Ieisha N Price

(74) *Attorney, Agent, or Firm* — Quickpatents, LLC;  
Kevin Prince

(57) **CLAIM**

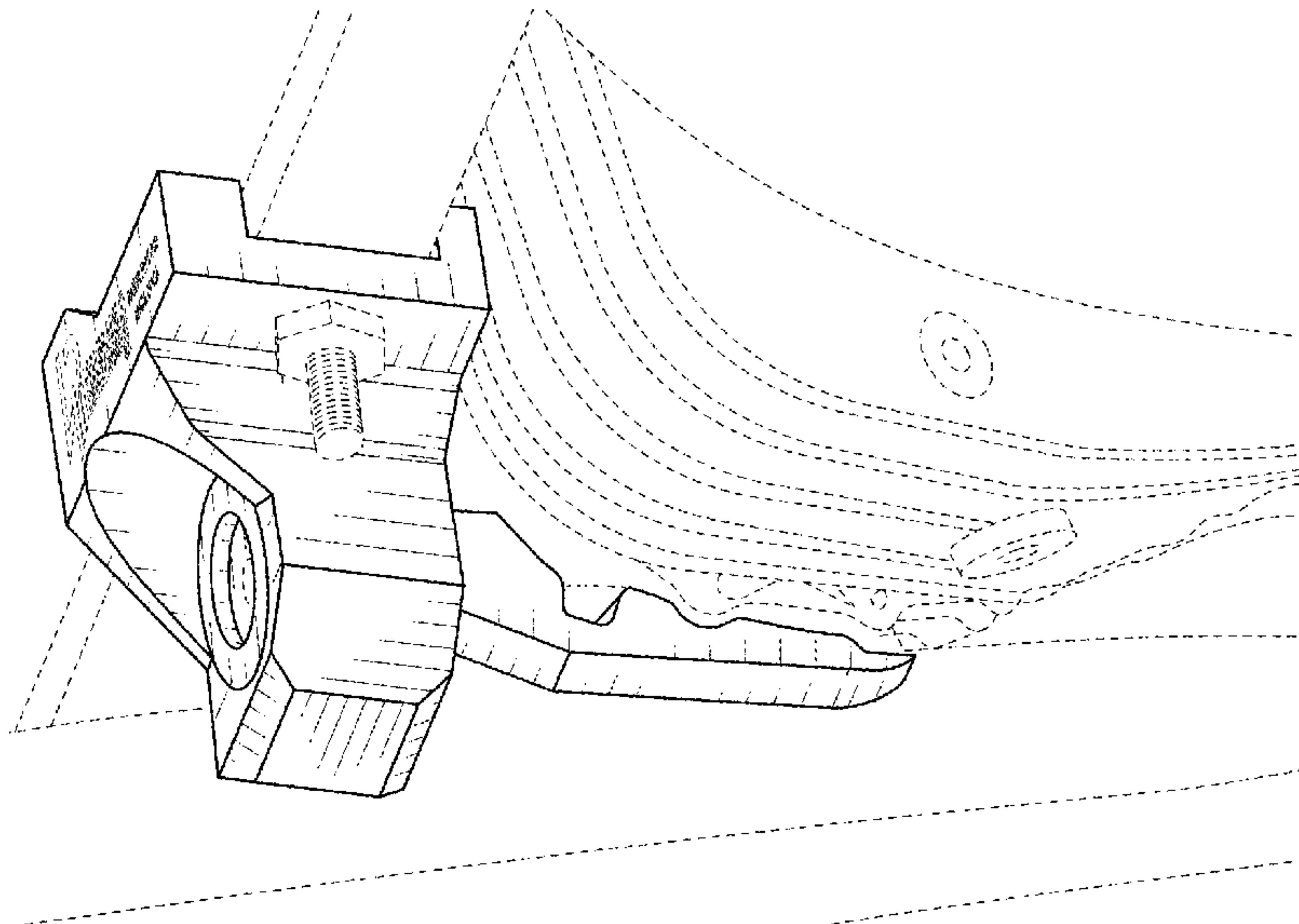
The ornamental design for a differential reinforcement bracket, as shown and described.

**DESCRIPTION**

FIG. 1 is a bottom perspective view of a differential reinforcement bracket, showing our new design; FIG. 2 is a top perspective view thereof; FIG. 3 is a rear perspective view thereof; FIG. 4 is a front elevational view thereof; FIG. 5 is a rear elevational view thereof; FIG. 6 is a left-side elevational view thereof; FIG. 7 is a right-side elevational view thereof; FIG. 8 is a top plan view thereof; and, FIG. 9 is a bottom plan view thereof.

The broken lines showing a vehicle differential in FIG. 1 depict environmental matter and form no part of the claimed design. The broken lines showing a logo with text in FIGS. 2 and 4, and a bushing in FIG. 4, depict portions of the differential reinforcement bracket that form no part of the claimed design.

**1 Claim, 5 Drawing Sheets**



(56)

**References Cited**

U.S. PATENT DOCUMENTS

D880,278 S \* 4/2020 Jaramillo ..... D8/354  
D880,375 S \* 4/2020 McGaughy ..... D12/160  
D891,998 S \* 8/2020 Smith ..... D12/159  
D893,581 S \* 8/2020 Roth ..... D16/242  
D905,538 S \* 12/2020 Parihar ..... D8/354  
D907,064 S \* 1/2021 Kencevski ..... D15/5  
2005/0245342 A1 \* 11/2005 Pontanari ..... F16H 48/08  
475/230  
2008/0188343 A1 \* 8/2008 Pan ..... F16H 48/08  
475/230  
2012/0235375 A1 \* 9/2012 Kudla ..... B62D 21/11  
280/124.109  
2017/0356536 A1 \* 12/2017 Bordner ..... F16H 48/40  
2018/0186206 A1 7/2018 Wilson  
2018/0251053 A1 9/2018 Kemp  
2018/0299003 A1 \* 10/2018 Deir ..... F16H 57/037  
2018/0372204 A1 \* 12/2018 Hildebrand ..... F16H 48/40

\* cited by examiner

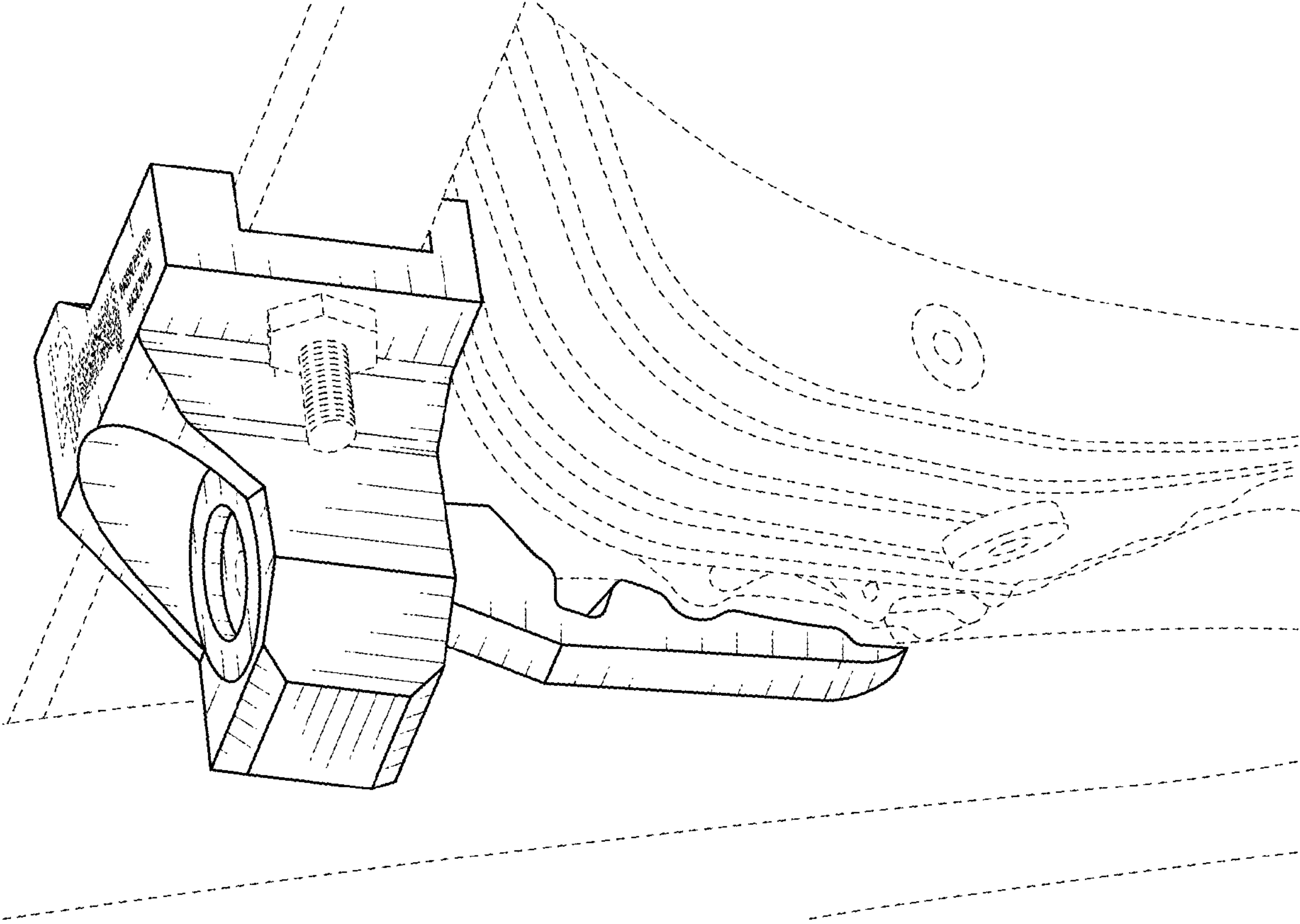


FIG. 1

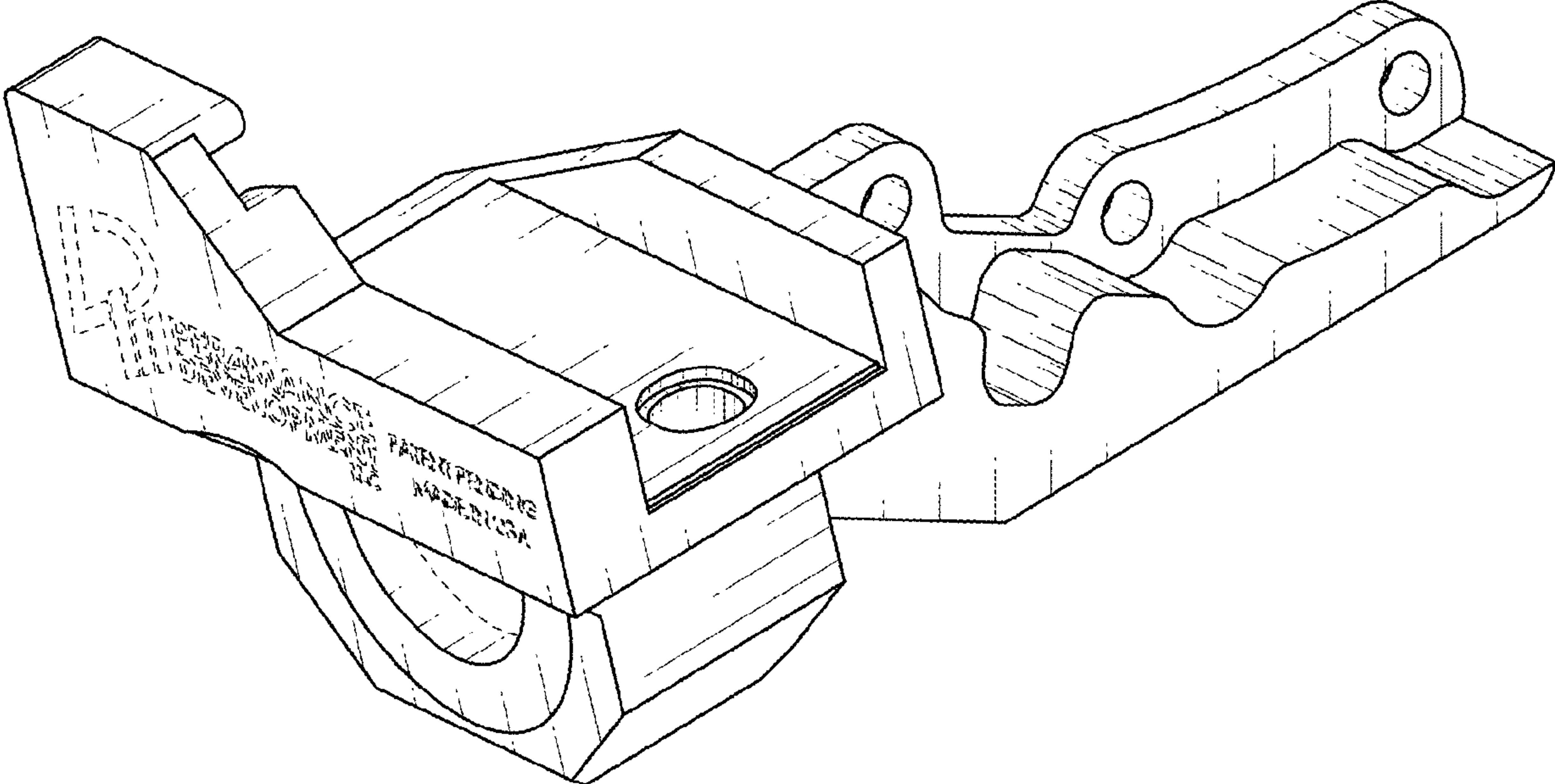


FIG. 2

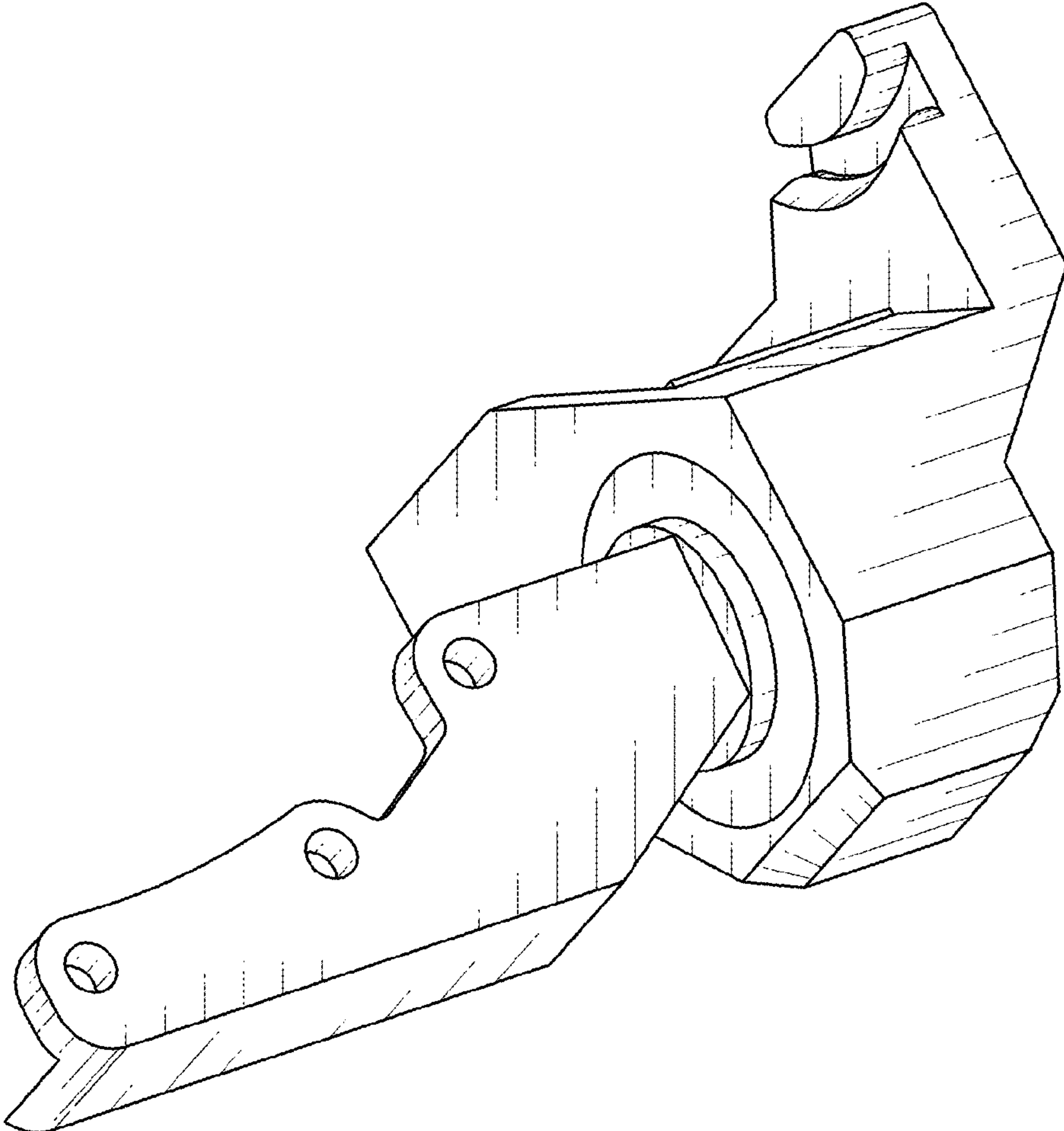


FIG. 3



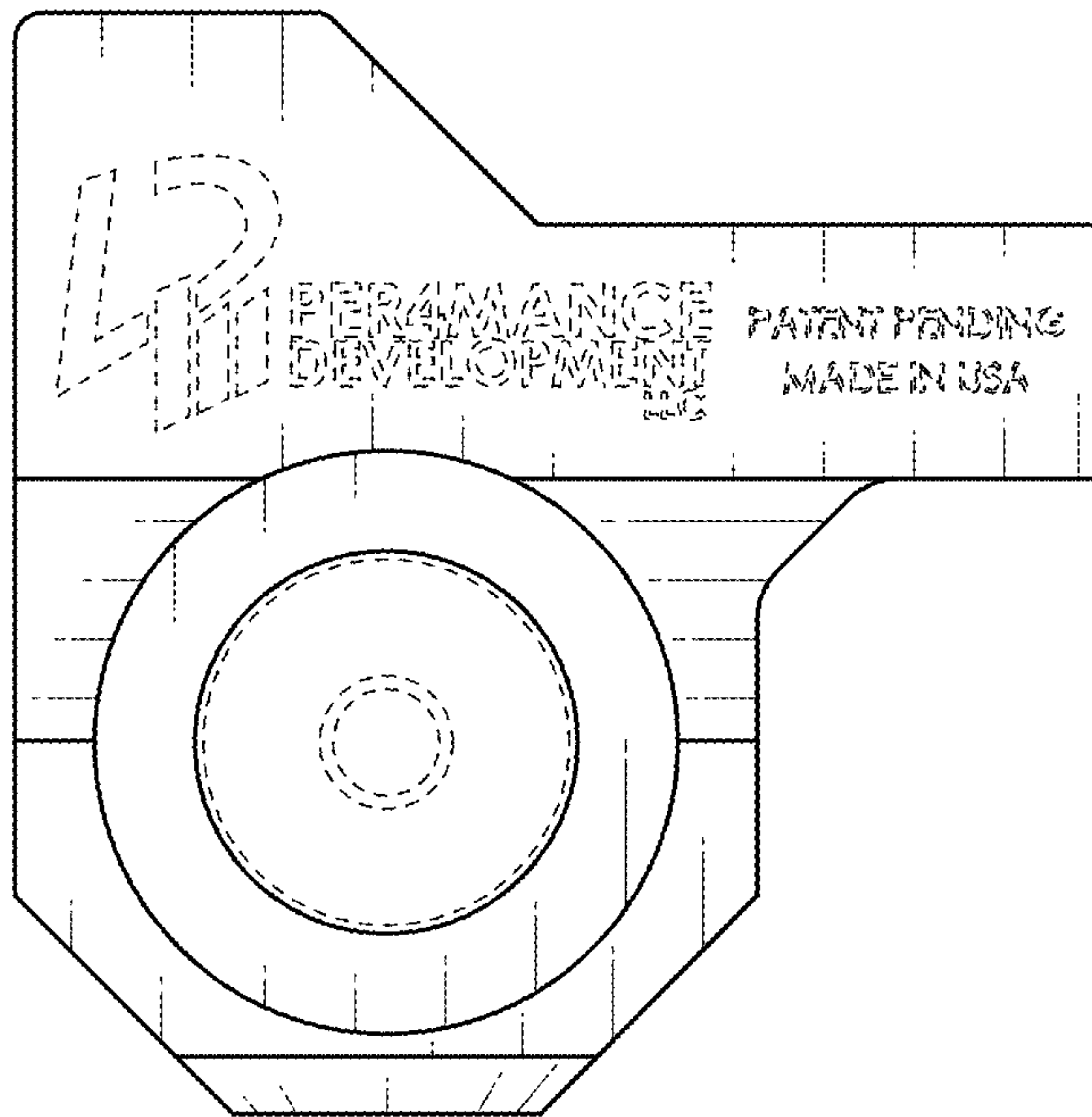


FIG. 4

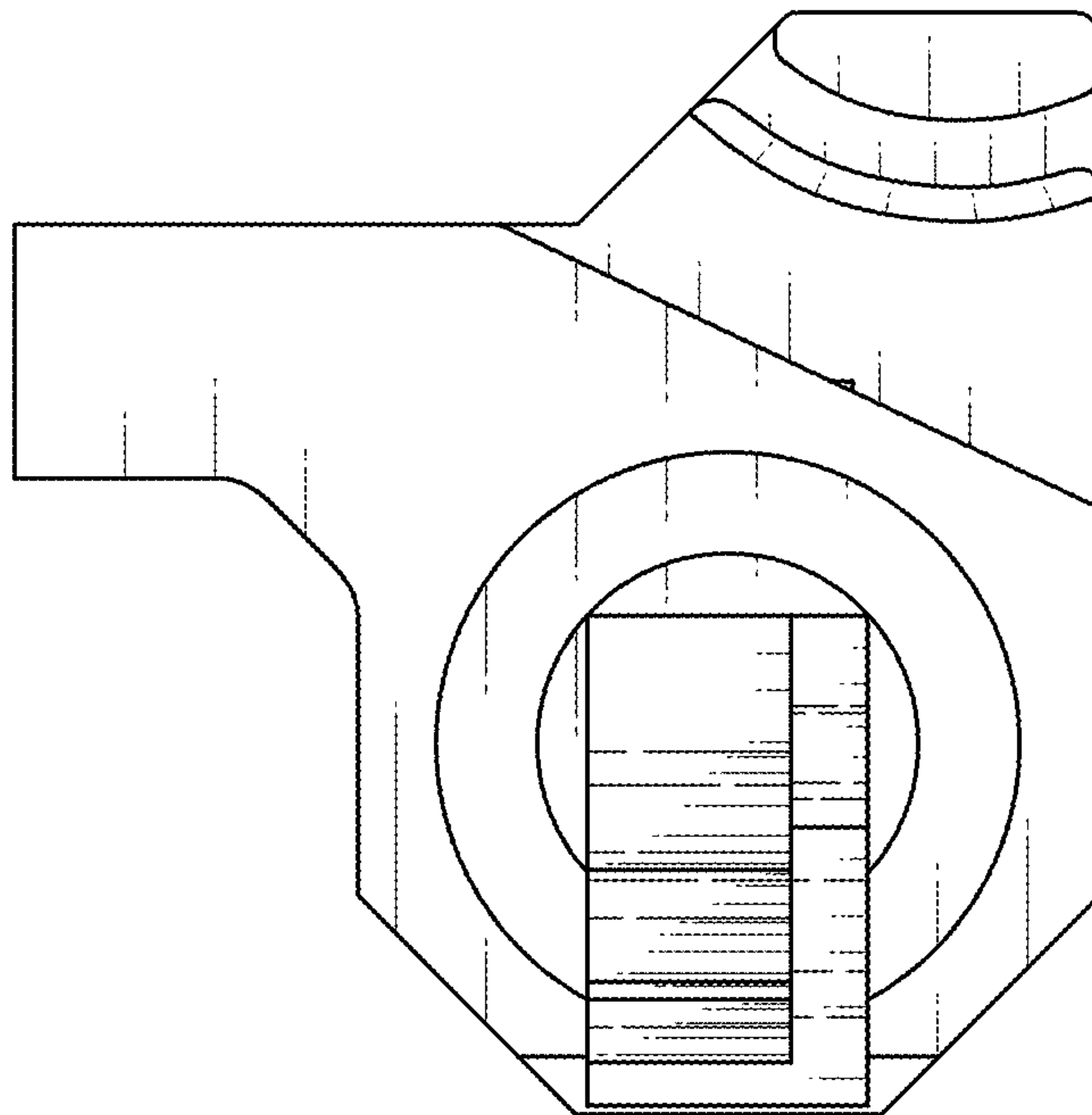


FIG. 5

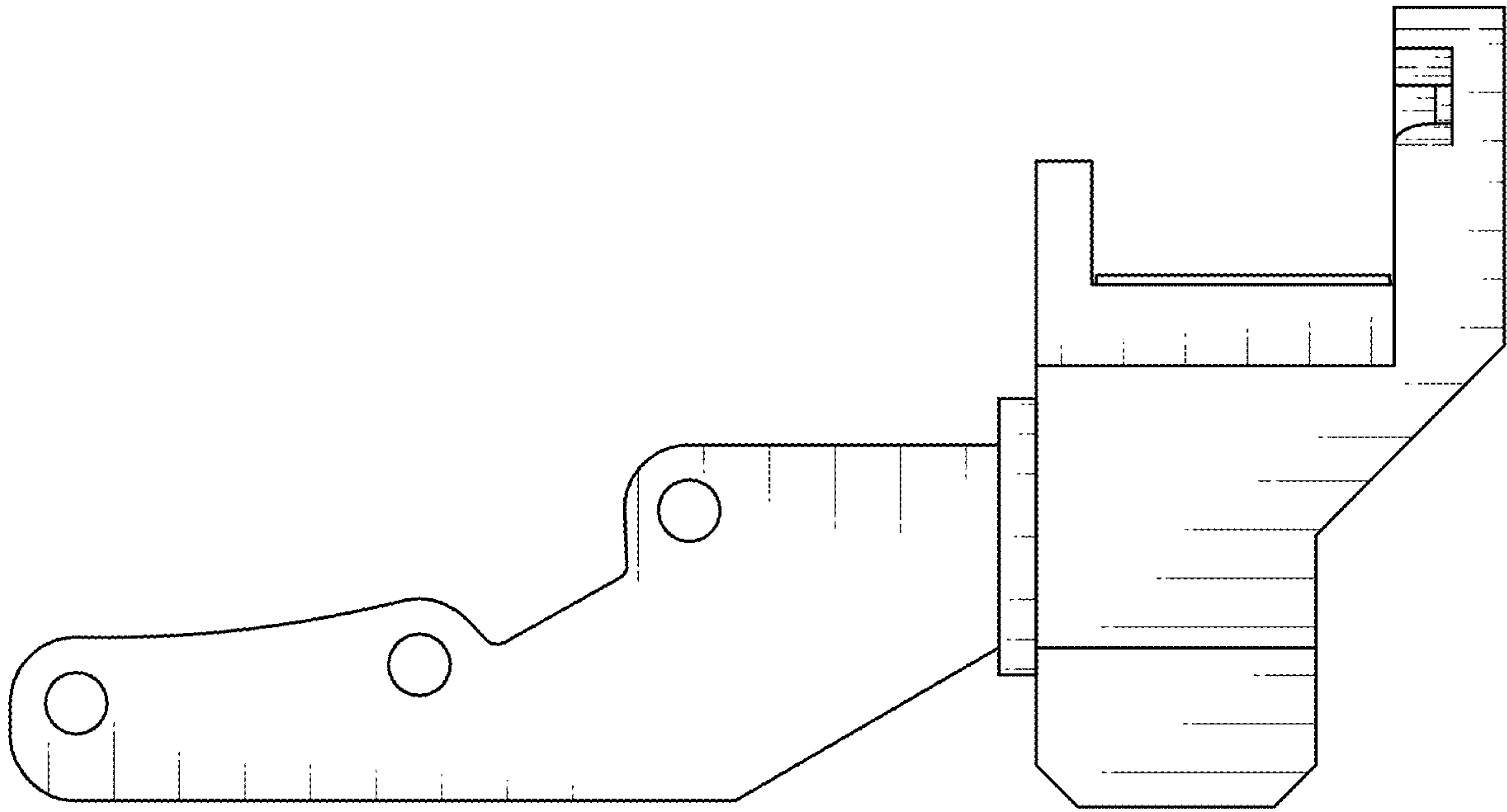


FIG. 6

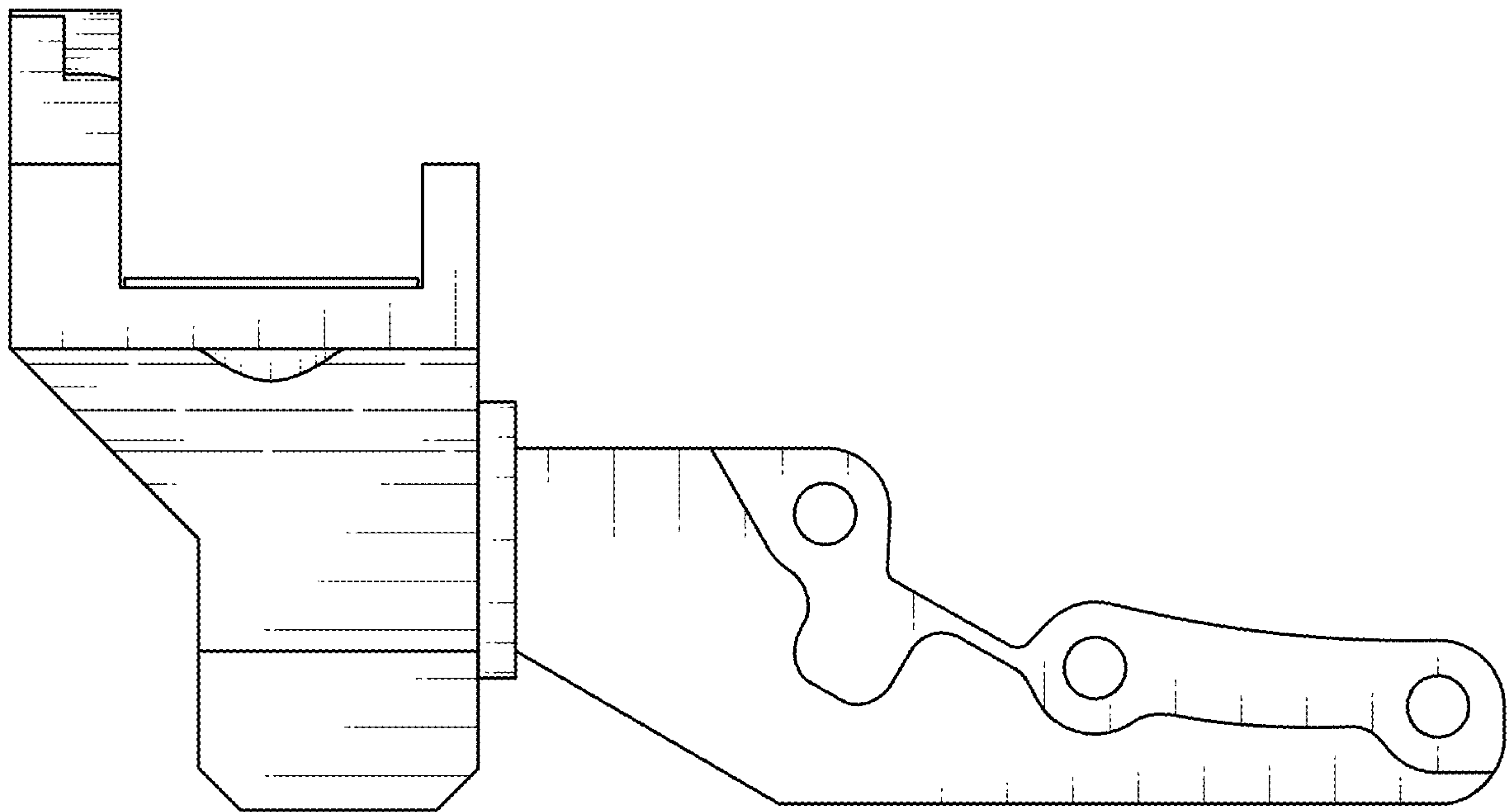


FIG. 7

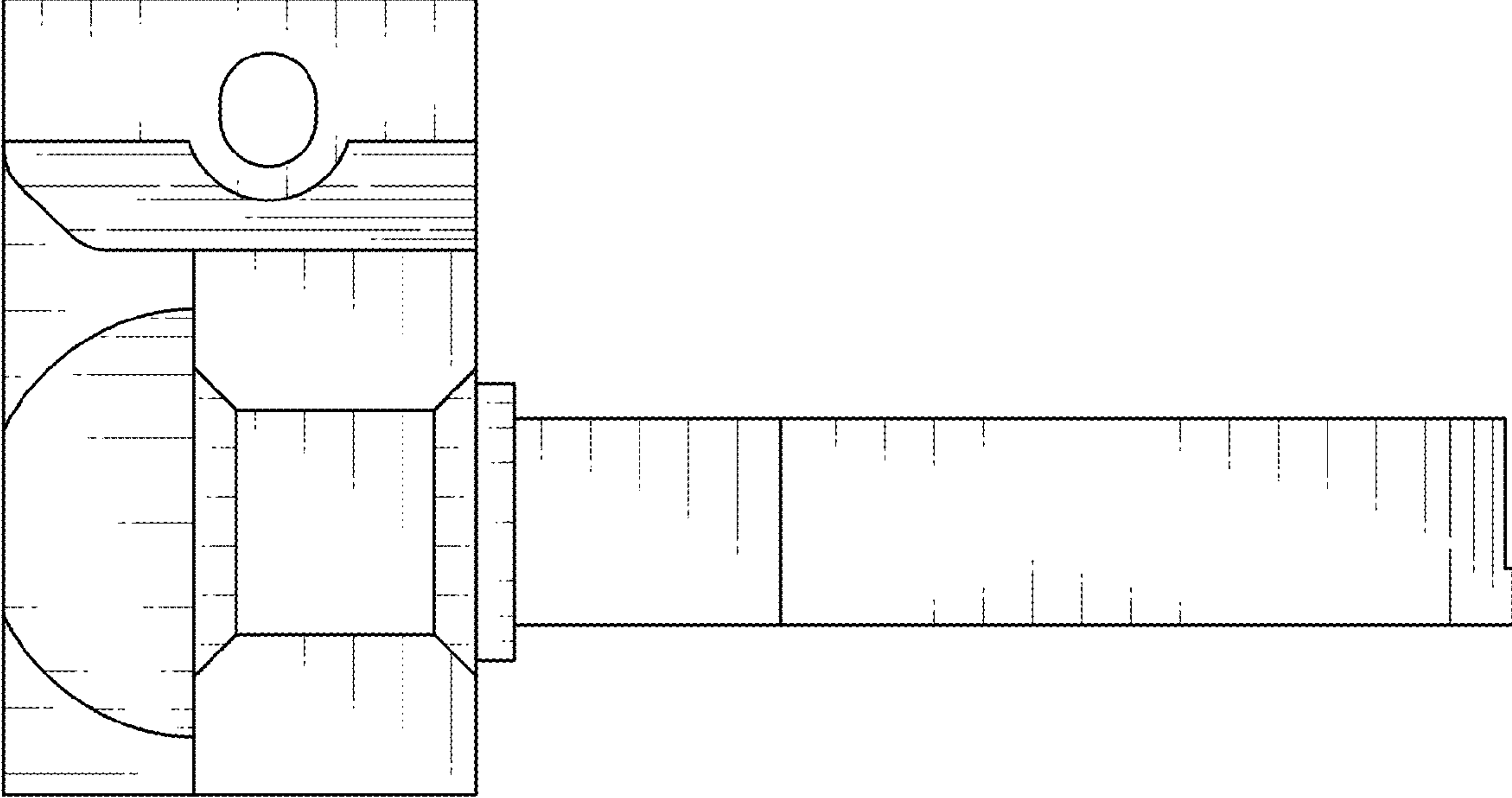


FIG. 9

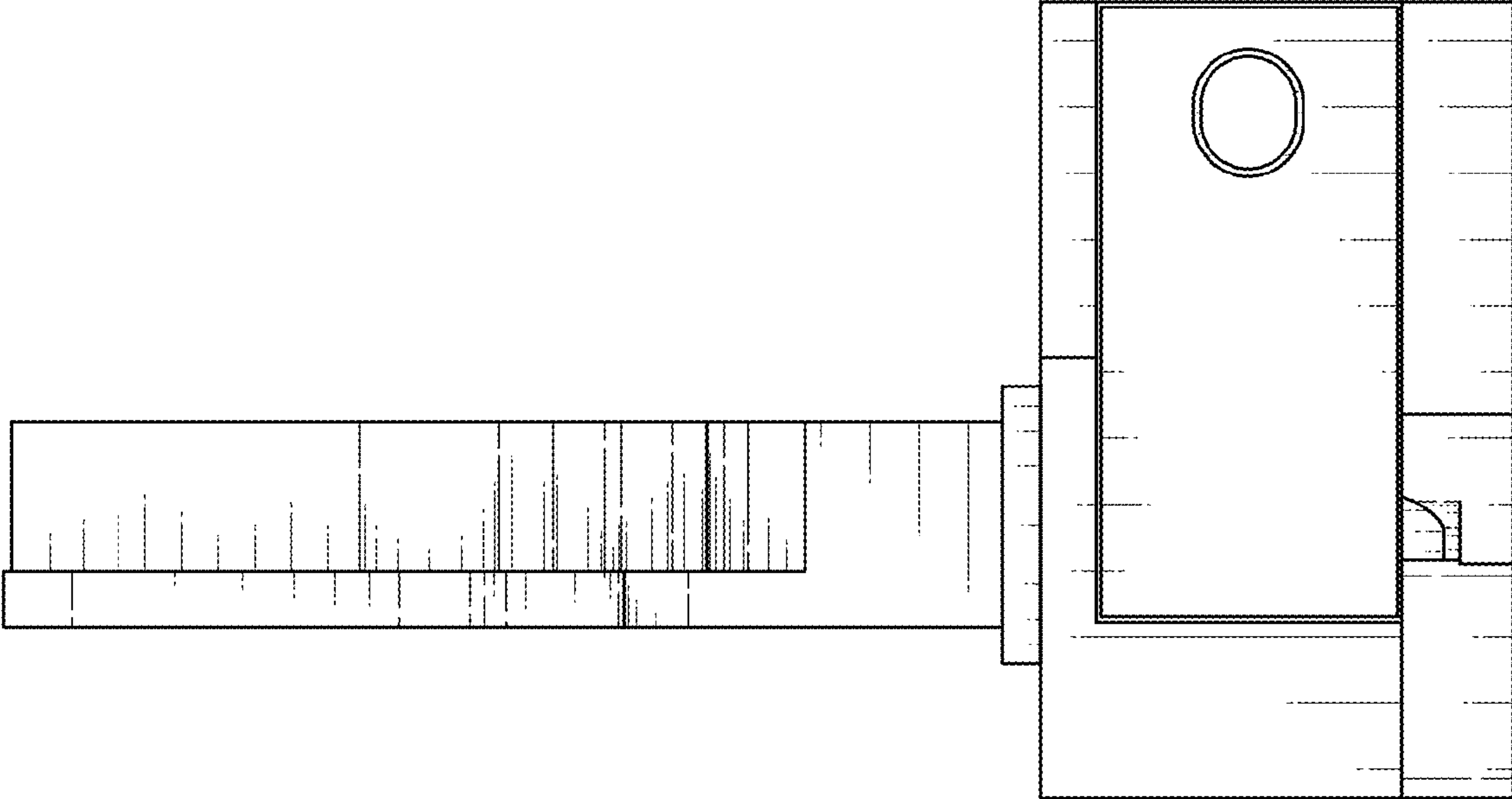


FIG. 8

UNITED STATES PATENT AND TRADEMARK OFFICE  
**CERTIFICATE OF CORRECTION**

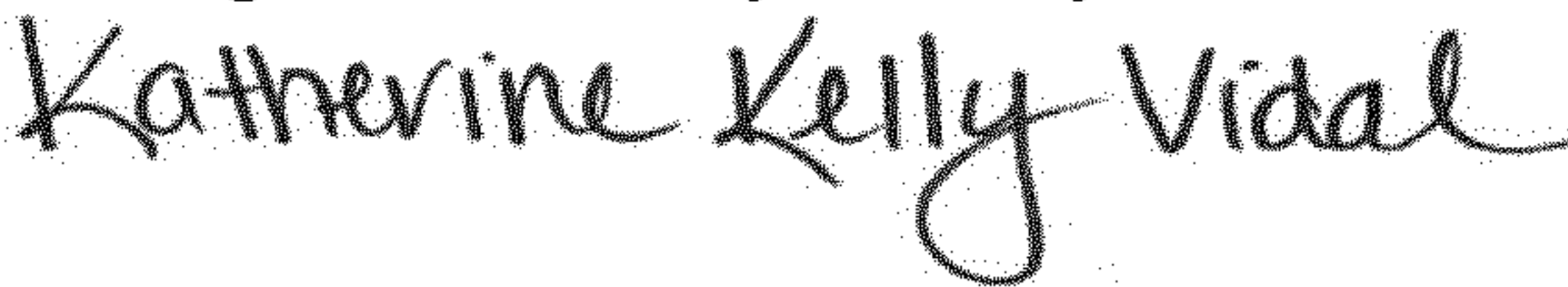
PATENT NO. : D922,300 S  
APPLICATION NO. : 29/718895  
DATED : June 15, 2021  
INVENTOR(S) : Brayton Wayne Brunkhurst

Page 1 of 2

It is certified that error appears in the above-identified patent and that said Letters Patent is hereby corrected as shown below:

On the Title Page

1. Column 1, item (56), under 'U.S. PATENT DOCUMENTS', Cite No. 3, after "Kass" insert -- et al. --.
2. Column 1, item (56), under 'U.S. PATENT DOCUMENTS', Cite No. 4, after "Schmidt" insert --, et al. --.
3. Column 1, item (56), under 'U.S. PATENT DOCUMENTS', Cite No. 9, after "McClain" insert --, et al. --.
4. Column 2, item (56), under 'U.S. PATENT DOCUMENTS', Cite No. 1, after "Kim" insert --, et al. --.
5. Column 2, item (56), under 'U.S. PATENT DOCUMENTS', Cite No. 2, after "Singh" insert --, et al. --.
6. Column 2, item (56), under 'U.S. PATENT DOCUMENTS', Cite No. 3, after "Wan" insert --, et al. --.
7. Column 2, item (56), under 'U.S. PATENT DOCUMENTS', Cite No. 5, after "Ewing" insert --, et al. --.
8. Column 2, item (56), under 'U.S. PATENT DOCUMENTS', Cite No. 8, after "Lentine" insert --, et al. --.
9. Column 2, item (56), under 'U.S. PATENT DOCUMENTS', Cite No. 10, after "Ewing" insert --, et al. --.
10. Column 2, item (57), under 'DESCRIPTION', Line 12, delete "enviommental" and insert -- environmental --, therefor.
11. On the Page 2, Column 1, item (56), under 'U.S. PATENT DOCUMENTS', Cite No. 5, after "Parihar" insert --, et al. --.
12. On the Page 2, Column 1, item (56), under 'U.S. PATENT DOCUMENTS', Cite No. 7, after "Pontanari" insert --, et al. --.
13. On the Page 2, Column 1, item (56), under 'U.S. PATENT DOCUMENTS', Cite No. 8, after "Pan" insert --, et al. --.
14. On the Page 2, Column 1, item (56), under 'U.S. PATENT DOCUMENTS', Cite No. 9, after "Kudla" insert --, et al. --.

Signed and Sealed this  
Eighteenth Day of July, 2023  
  
Katherine Kelly Vidal  
Director of the United States Patent and Trademark Office



15. On the Page 2, Column 1, item (56), under 'U.S. PATENT DOCUMENTS', Cite No. 10, after "Bordner" insert -- , et al. --.

16. On the Page 2, Column 1, item (56), under 'U.S. PATENT DOCUMENTS', Cite No. 11, after "Wilson" insert -- , et al. --.

17. On the Page 2, Column 1, item (56), under 'U.S. PATENT DOCUMENTS', Cite No. 12, after "Kemp" insert -- , et al. --.

18. On the Page 2, Column 1, item (56), under 'U.S. PATENT DOCUMENTS', Cite No. 13, after "Deir" insert -- , et al. --.

19. On the Page 2, Column 1, item (56), under 'U.S. PATENT DOCUMENTS', Cite No. 14, after "Hildebrand" insert -- , et al. --.