



US00D922299S

(12) **United States Design Patent**
Welsh

(10) **Patent No.:** **US D922,299 S**
(45) **Date of Patent:** **** Jun. 15, 2021**

- (54) **TIE DOWN DEVICE**
- (71) Applicant: **Michael Welsh**, Brighton, CO (US)
- (72) Inventor: **Michael Welsh**, Brighton, CO (US)
- (**) Term: **15 Years**
- (21) Appl. No.: **29/693,849**
- (22) Filed: **Jun. 5, 2019**
- (51) **LOC (13) Cl.** **12-16**
- (52) **U.S. Cl.**
USPC **D12/223**
- (58) **Field of Classification Search**
USPC D12/223; D8/349, 354, 368, 382, 383;
D29/101.1, 101.4, 101.5, 122; D30/151,
D30/152, 153; D2/933, 976, 626, 943;
D24/194, 195; D3/207, 208; D11/200,
D11/201, 206
CPC .. A01K 1/0272; A01K 1/0263; A01K 27/003;
A01K 27/005; A01K 27/007; A01K
27/002; A62B 35/0043; A62B 35/0006;
B60P 3/079; B60P 7/0823; B60P 7/0807;
B60P 7/08; B60P 7/0876; B60P 7/10;
B60P 7/083; B60P 7/0846; B65D 63/00;
B65D 63/10; B65D 63/1018; F16G
11/00; Y10T 24/31; Y10T 24/316; Y10T
24/318; Y10T 24/34
See application file for complete search history.

(56) **References Cited**

U.S. PATENT DOCUMENTS

- 556,383 A * 3/1896 Teeter B65D 63/10
24/17 R
- 1,181,377 A * 5/1916 Dowell B60P 7/0823
410/97
- 1,295,622 A * 2/1919 Simonsen A01K 27/005
119/772
- 2,372,967 A * 4/1945 Martin B64D 9/00
410/97

- 2,735,377 A * 2/1956 Elsner B63B 25/28
410/105
- 2,840,412 A * 6/1958 Lancaster A47G 25/902
294/3.6
- 3,791,050 A * 2/1974 Egtvedt A43B 13/12
36/28
- 4,252,084 A * 2/1981 Willow A01K 27/003
119/771
- D267,598 S * 1/1983 Lyer D29/101.1
- D308,746 S * 6/1990 McKinsty D2/970
- D351,021 S * 9/1994 Martin D23/309
- 5,440,790 A * 8/1995 Chou B60P 7/0823
24/302

(Continued)

Primary Examiner — Sandra Snapp

Assistant Examiner — Ieisha N Price

(74) *Attorney, Agent, or Firm* — Suiter Swantz pc llo

(57) **CLAIM**

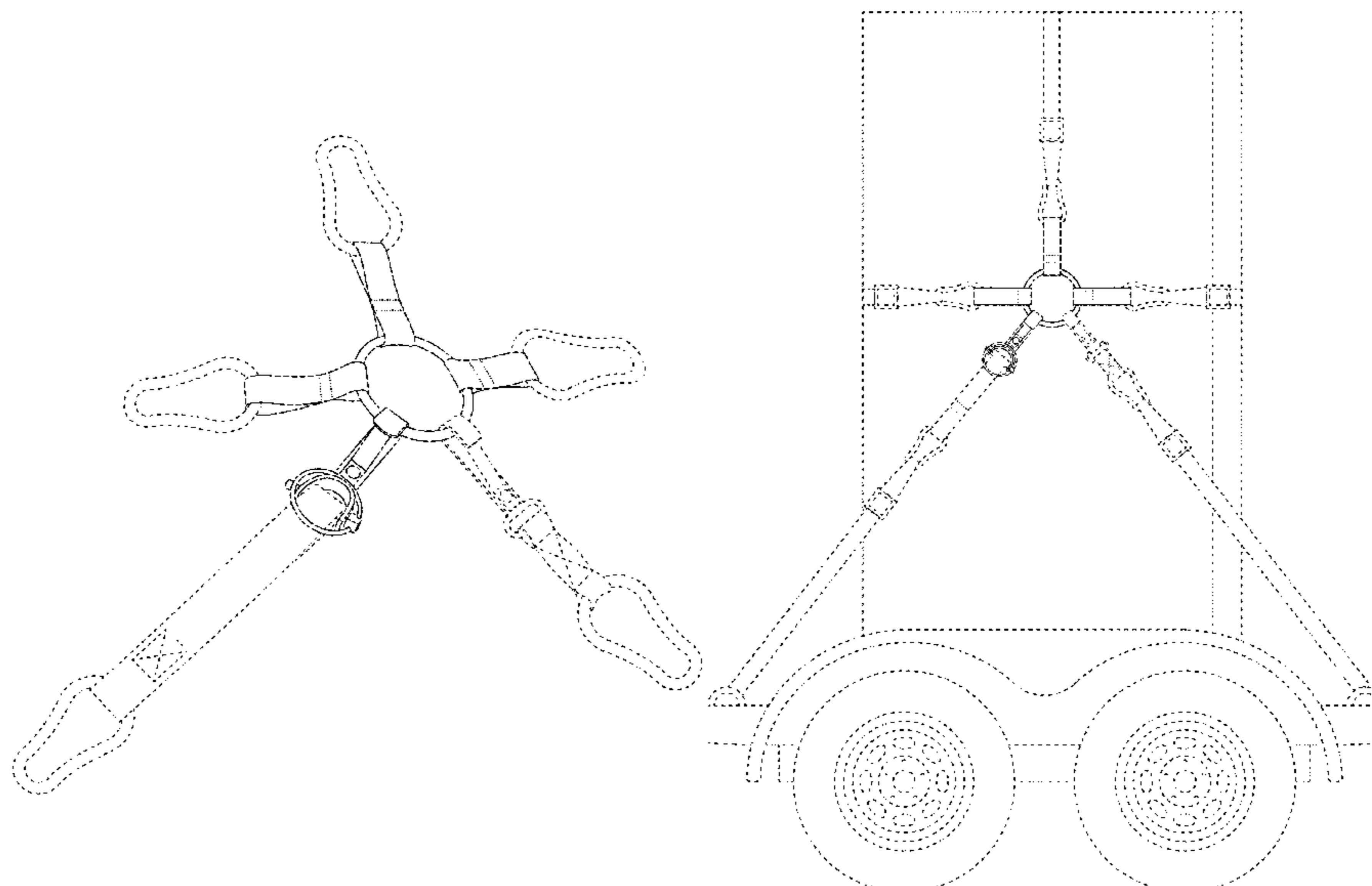
The ornamental design for a tie down device, as shown and described.

DESCRIPTION

FIG. 1 is a front perspective view of a tie down device.
 FIG. 2 is a top plan view of the tie down device.
 FIG. 3 is a front elevational view of the tie down device.
 FIG. 4 is a right side elevational view of the tie down device.
 FIG. 5 is a bottom plan view of the tie down device.
 FIG. 6 is a left side elevational view of the tie down device.
 FIG. 7 is a rear elevational view of the tie down device.
 FIG. 8 is a back perspective view of the tie down device;
 and,
 FIG. 9 is a top plan view of the tie down device utilized to secure an object.

The broken lines shown in the figures represent portions of the tie down device, connectors, and an object secured by the tie down device and connectors that form no part of the claimed design.

1 Claim, 7 Drawing Sheets



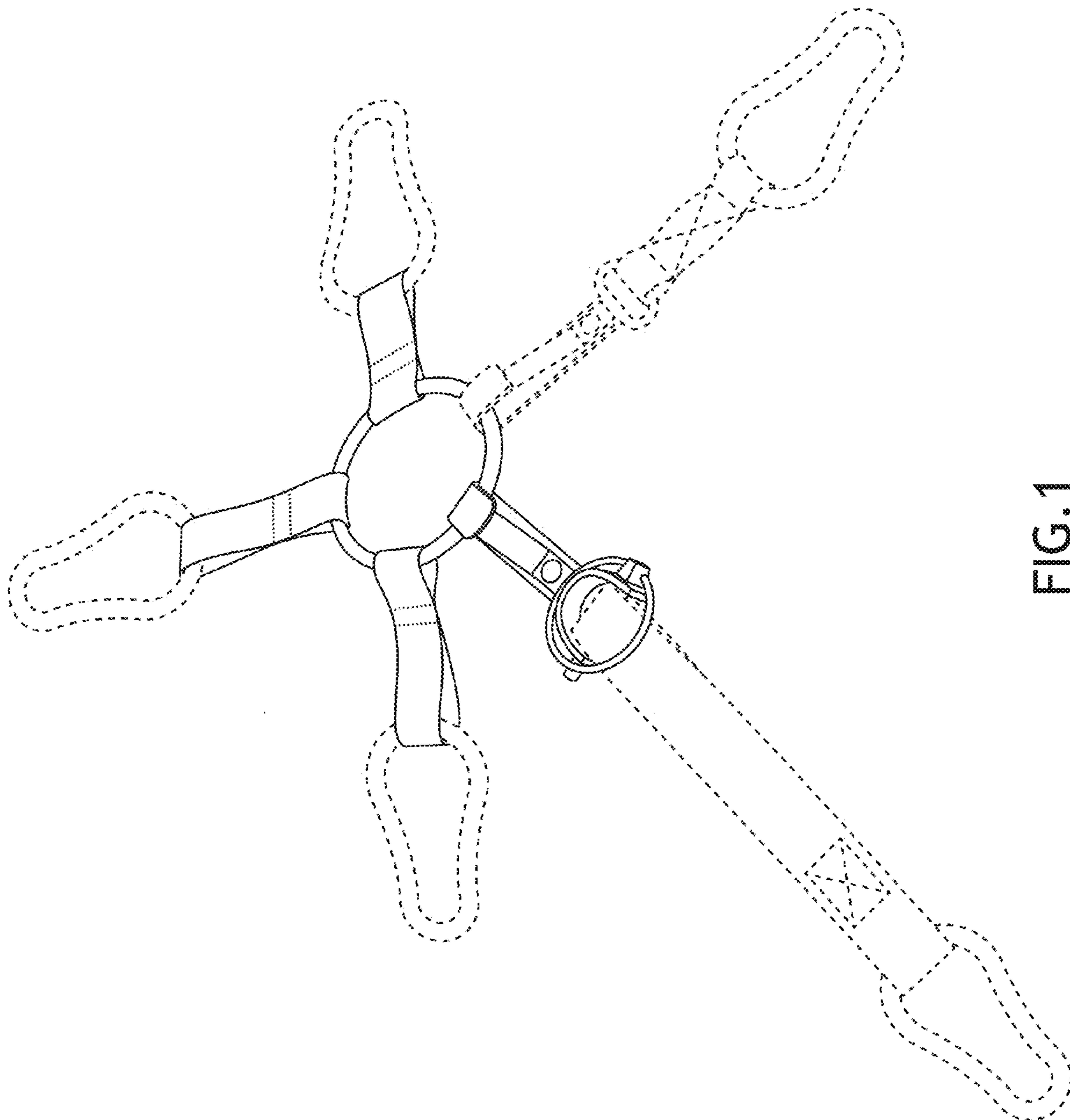


FIG. 1

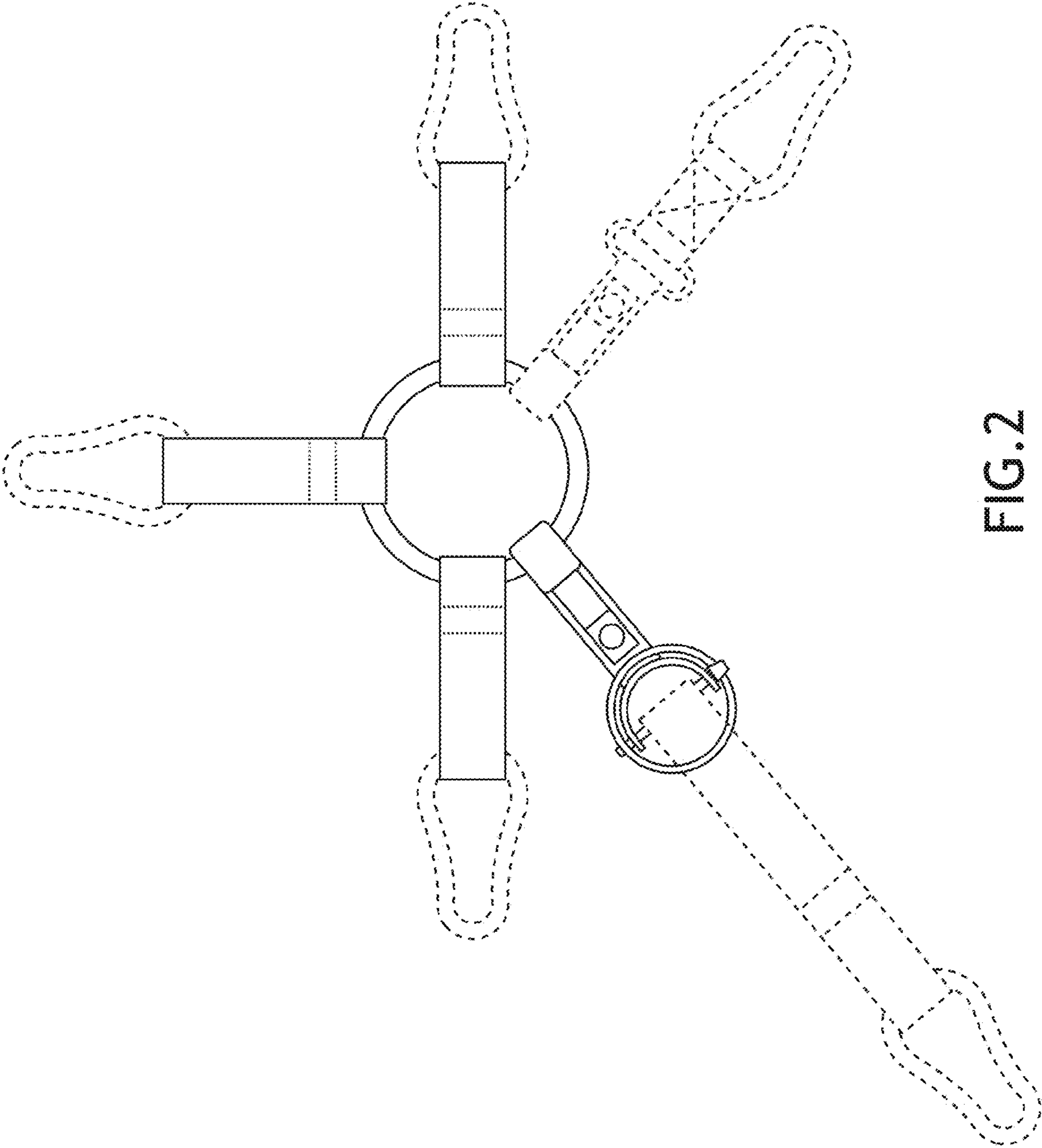


FIG. 2

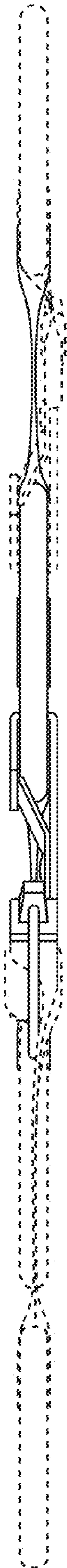


FIG. 3

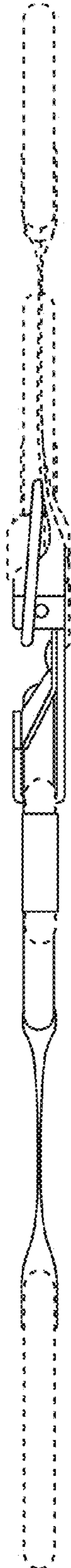


FIG. 4

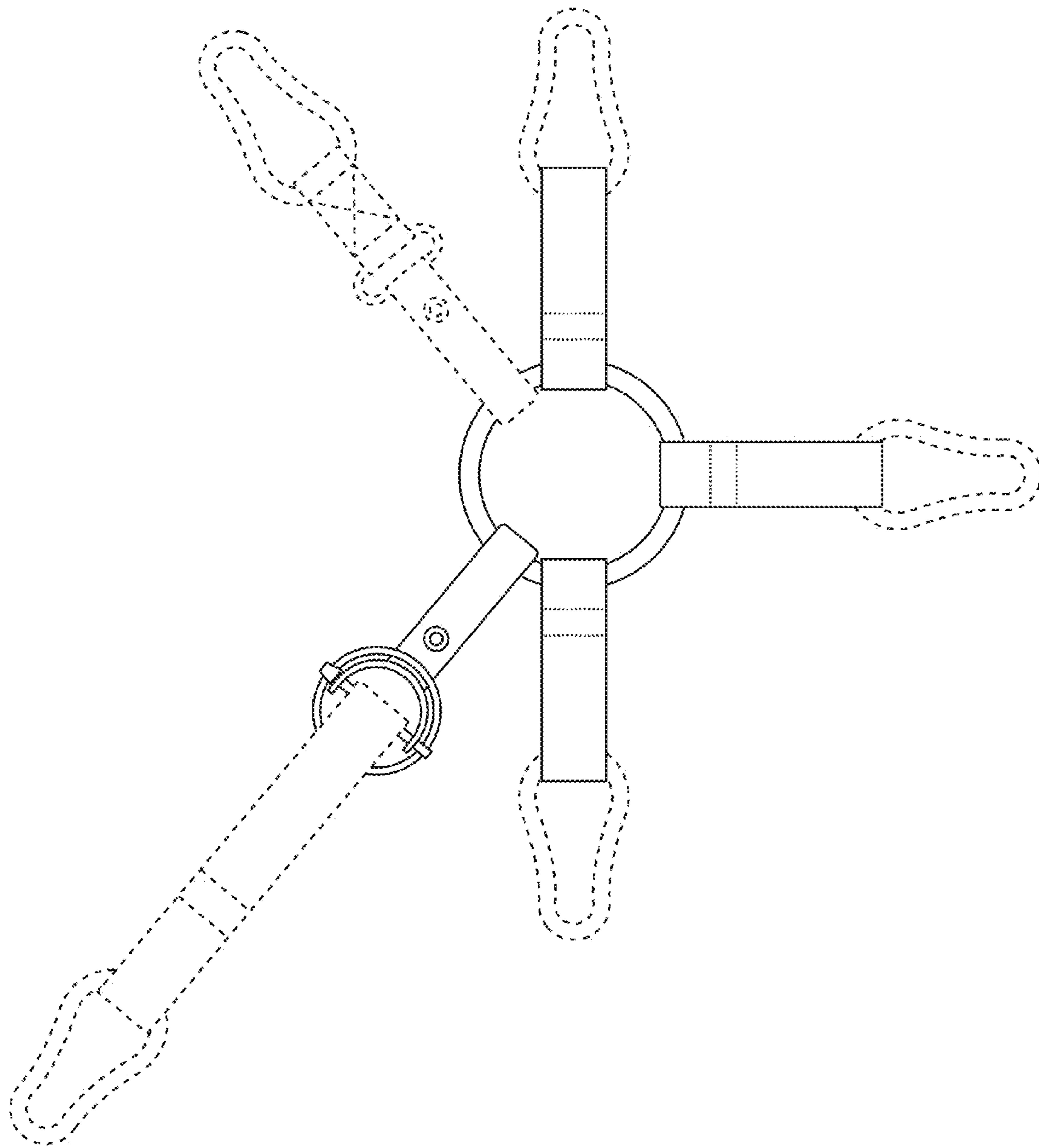


FIG. 5

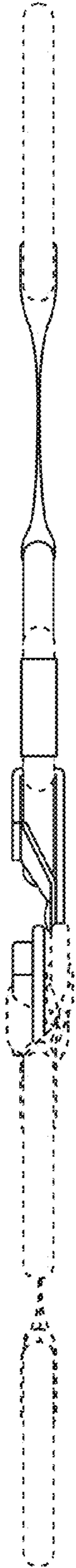


FIG. 6

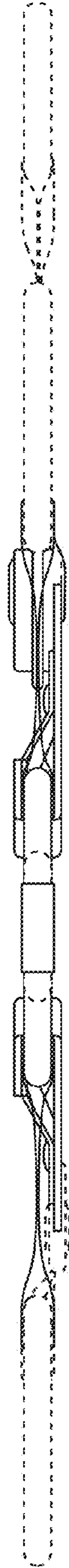


FIG. 7

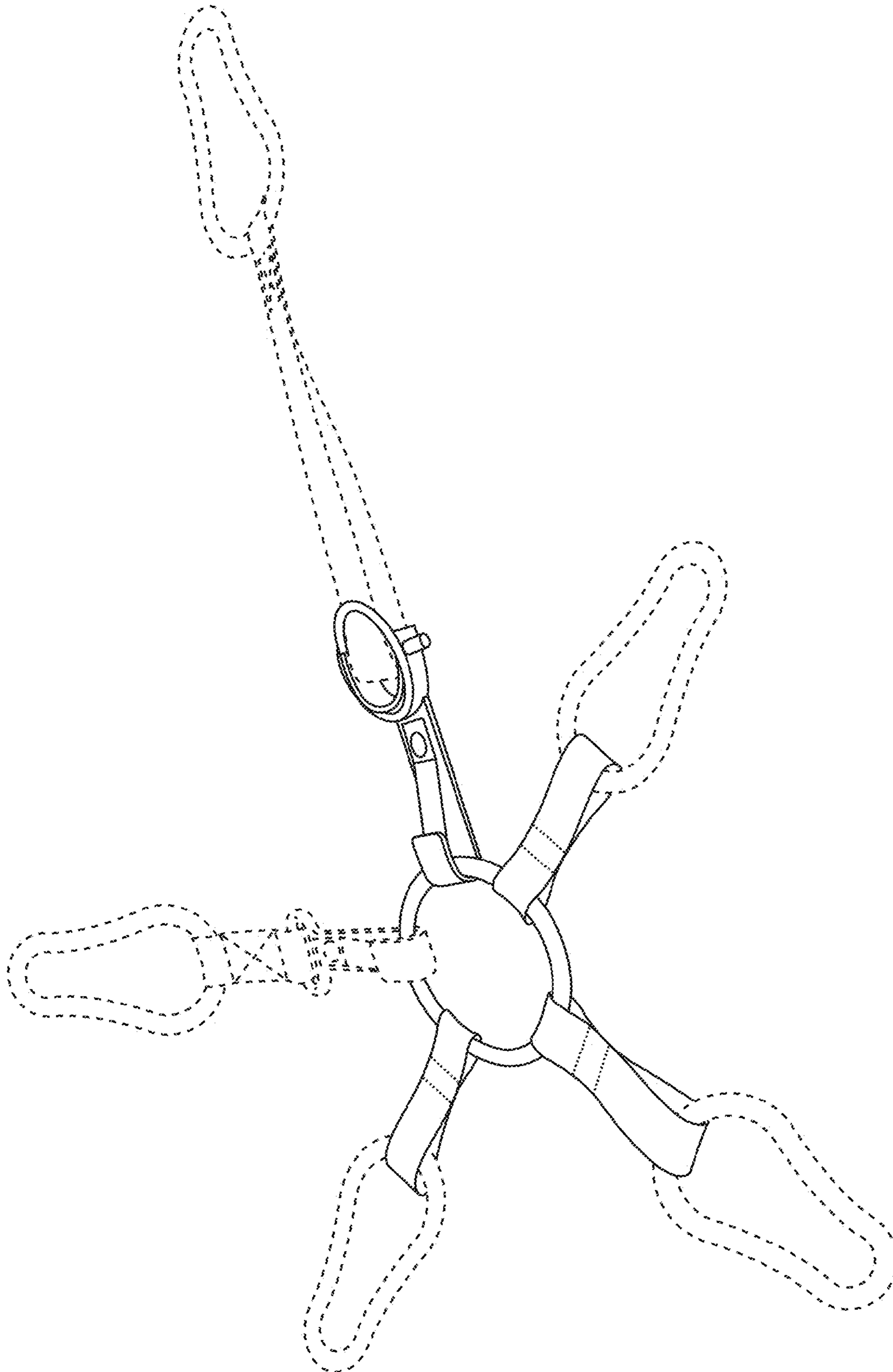


FIG. 8

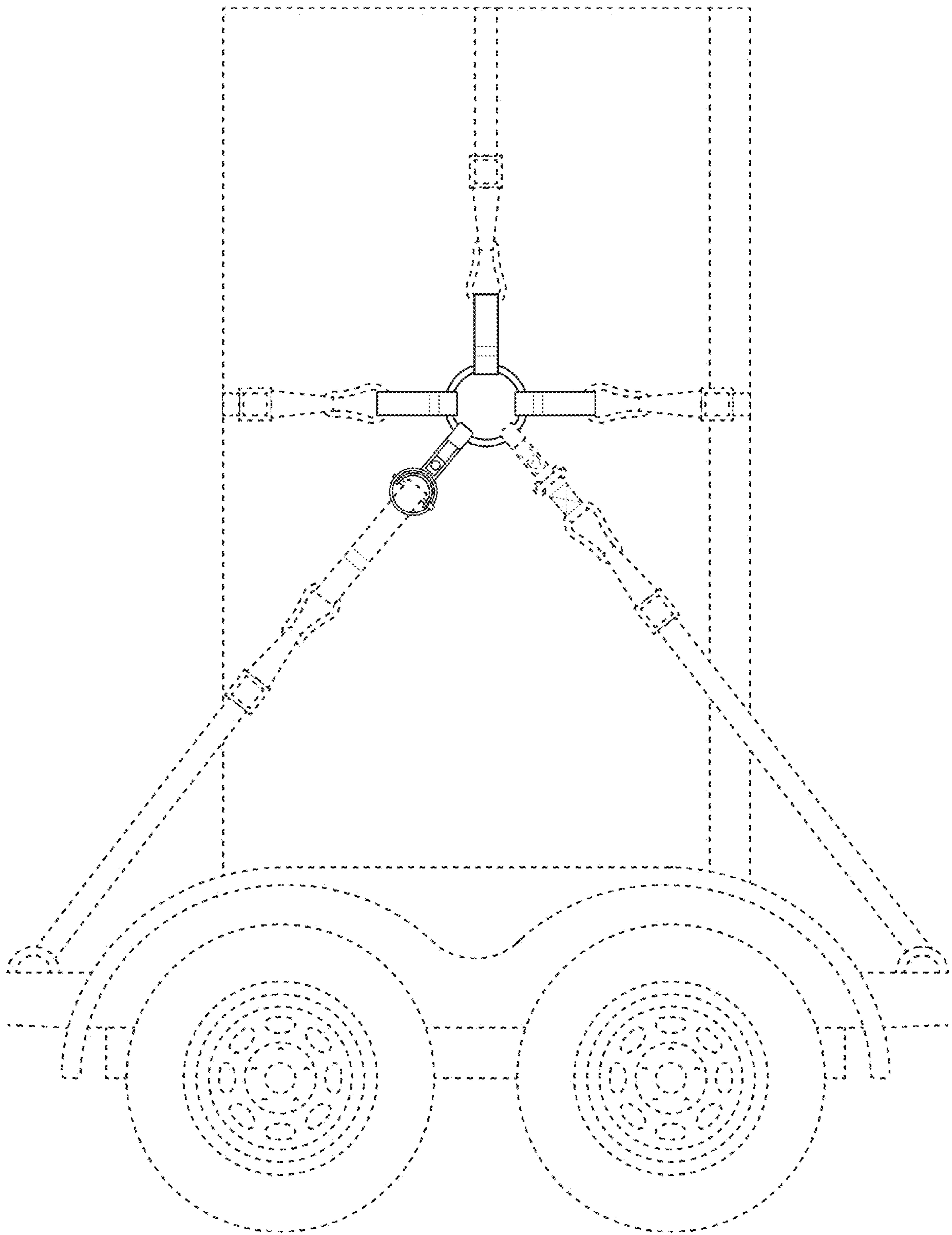


FIG. 9