



US00D922295S

(12) **United States Design Patent**
Grand et al.

(10) **Patent No.:** **US D922,295 S**

(45) **Date of Patent:** **** Jun. 15, 2021**

(54) **WHEEL**

(71) Applicant: **Jaguar Land Rover Limited**, Whitley
Coventry (GB)

(72) Inventors: **Simon Grand**, Whitley Coventry (GB);
Andy Wheel, Whitley Coventry (GB)

(73) Assignee: **JAGUAR LAND ROVER LIMITED**,
Whitley Coventry (GB)

(**) Term: **15 Years**

(21) Appl. No.: **29/724,652**

(22) Filed: **Feb. 18, 2020**

(30) **Foreign Application Priority Data**

Sep. 5, 2019 (EM) 006818167

(51) **LOC (13) Cl.** **12-16**

(52) **U.S. Cl.**
USPC **D12/209**

(58) **Field of Classification Search**

USPC D12/204-213; D21/563

CPC B60B 7/00; B60B 7/02; B60B 7/04; B60B

7/01; B60B 7/06; B60B 3/02; B60B 3/04;

B60B 3/06; B60B 3/10; B60B 1/00;

B60B 1/08; B60B 1/10; B60B 1/12

See application file for complete search history.

(56) **References Cited**

U.S. PATENT DOCUMENTS

D203,931 S * 3/1966 Hibbard D12/211

D268,261 S * 3/1983 Boyer D12/211

D345,338 S *	3/1994	Gabath	D12/209
D374,648 S *	10/1996	Pfeiffer	D12/209
D408,775 S *	4/1999	Shikado	D12/209
D441,708 S *	5/2001	Pfeiffer	D12/211
D454,827 S *	3/2002	Pfeiffer	D12/211
D502,136 S *	2/2005	Pfeiffer	D12/211
D531,559 S *	11/2006	Schuster	D12/209
D658,106 S *	4/2012	Thurner	D12/211
D658,562 S *	5/2012	Junghanns	D12/211
D722,936 S *	2/2015	Futschik	D12/209
D751,487 S *	3/2016	Harriton	D12/211
D763,770 S *	8/2016	Johnson	D12/211
D764,998 S *	8/2016	Woodhouse	D12/204
D820,185 S *	6/2018	Mielke	D12/211
D838,646 S *	1/2019	Harriton	D12/209
D866,435 S *	11/2019	Interrante	D12/209
D892,021 S *	8/2020	Sahara	D12/211

* cited by examiner

Primary Examiner — Stacia A Cadmus

(74) *Attorney, Agent, or Firm* — Reising Ethington P.C.

(57) **CLAIM**

The ornamental design for a wheel, as shown and described.

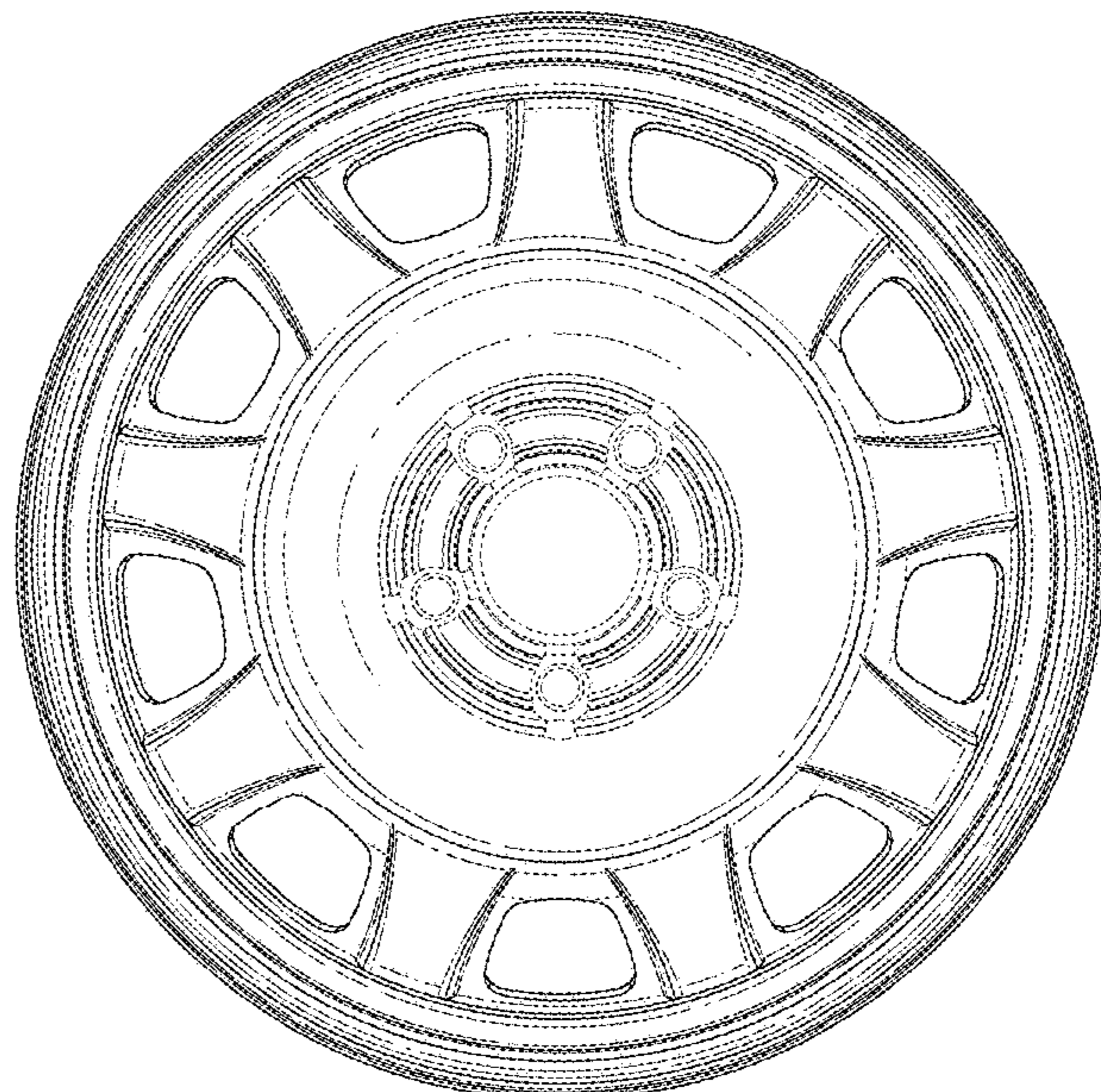
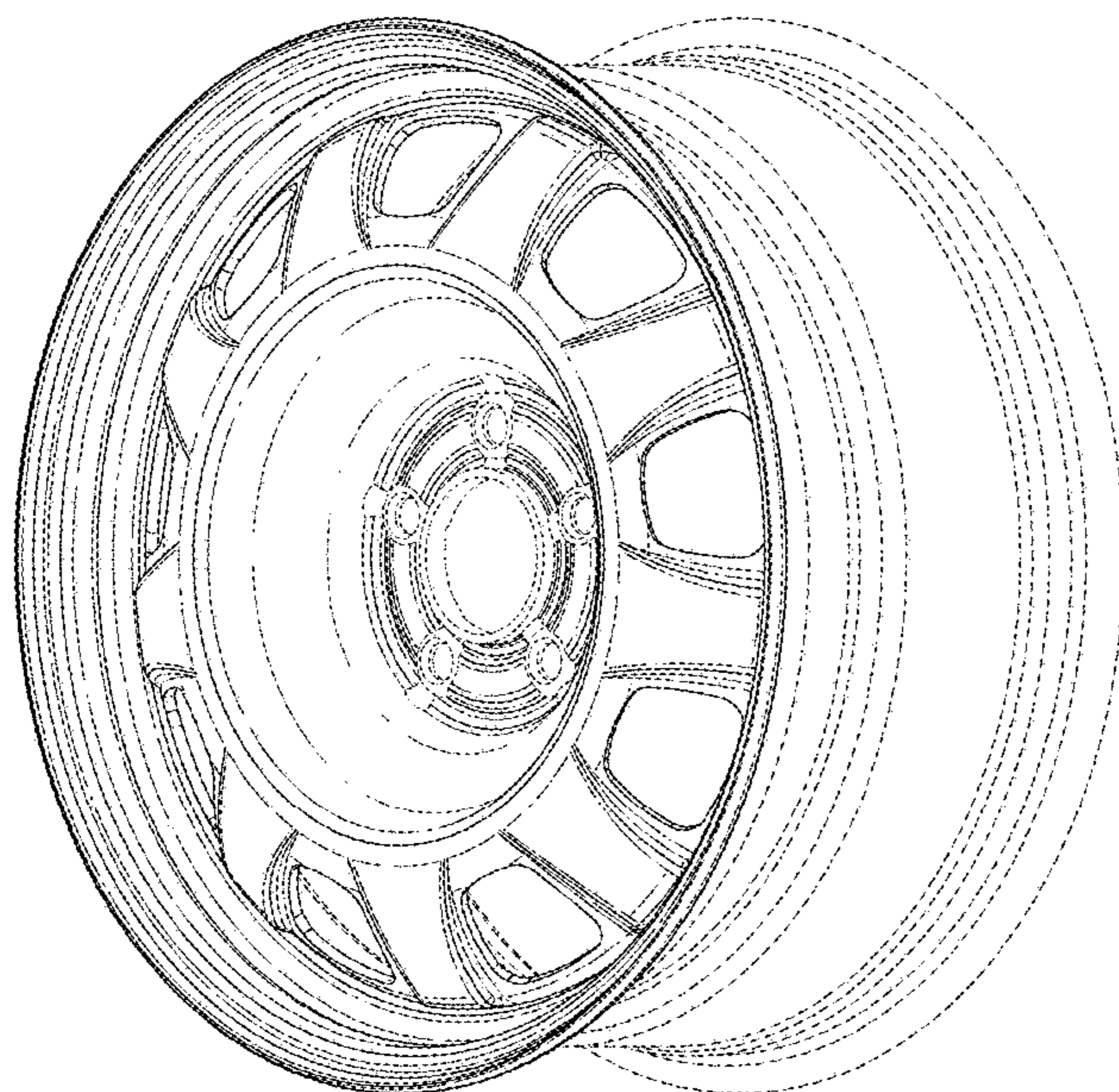
DESCRIPTION

FIG. 1 is a front right perspective view of a wheel according to the present invention.

FIG. 2 is a front view of the wheel shown in FIG. 1; and, FIG. 3 is a left side view thereof, the right side view being a mirror image thereof.

The broken lines form no part of the claimed design, but are instead included to show environmental structure.

1 Claim, 3 Drawing Sheets



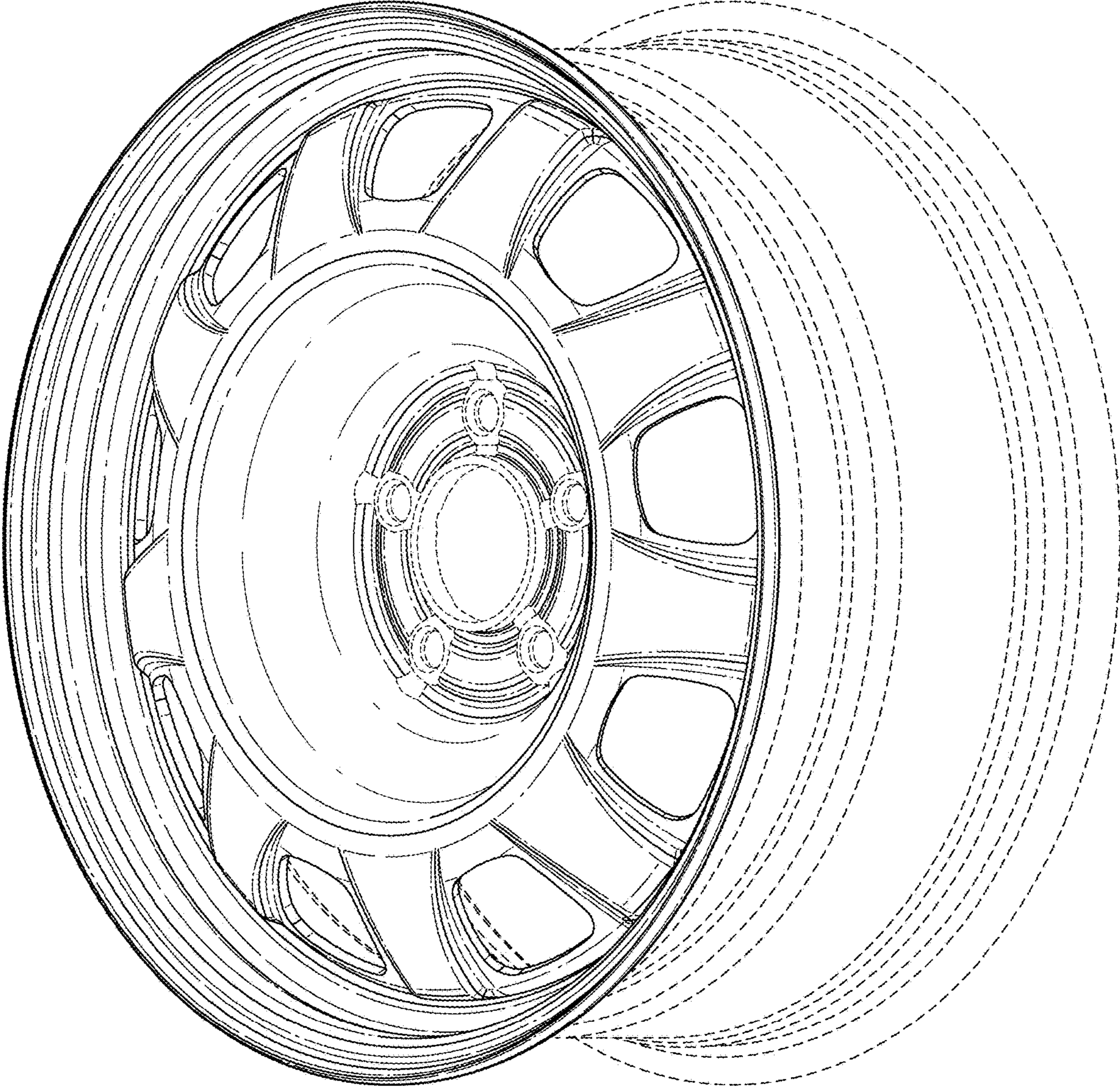


FIG. 1

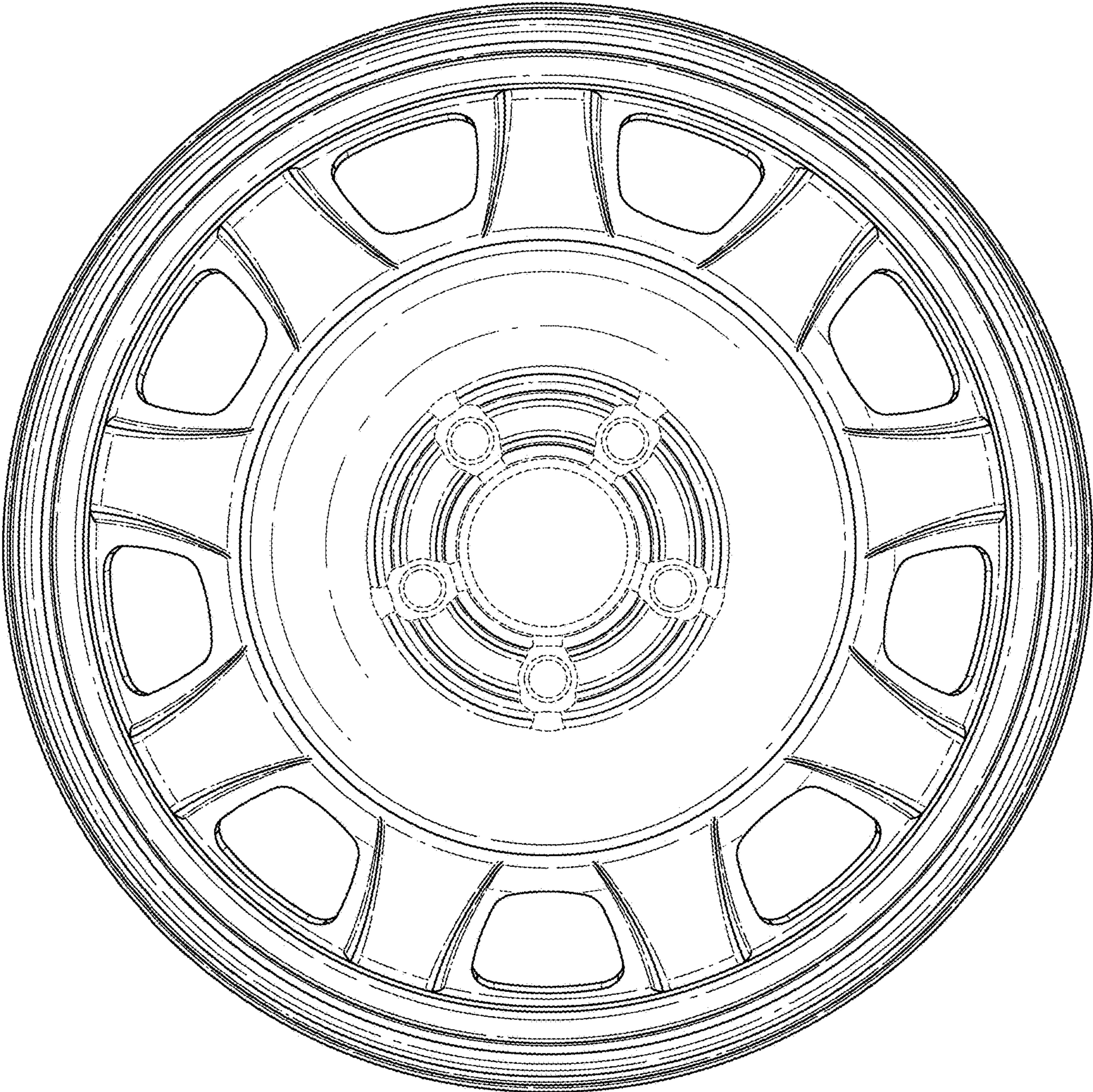


FIG. 2

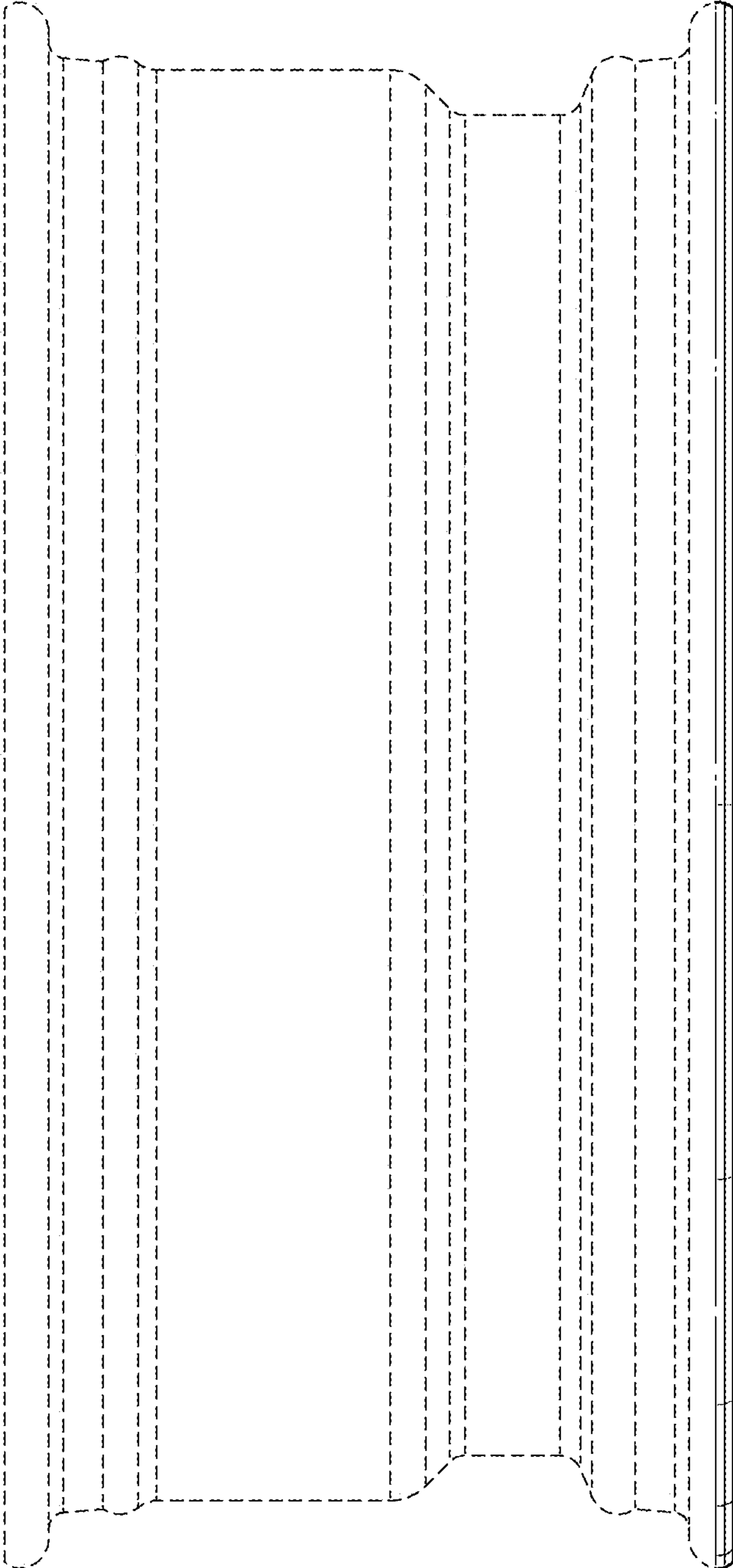


FIG. 3