



US00D922292S

(12) **United States Design Patent**
Kaoud et al.

(10) **Patent No.:** **US D922,292 S**

(45) **Date of Patent:** **** Jun. 15, 2021**

(54) **VEHICLE WHEEL**

(71) Applicant: **Ford Global Technologies, LLC**,
Dearborn, MI (US)

(72) Inventors: **Ehab N. Kaoud**, Livonia, MI (US);
William K. Moore, West Bloomfield,
MI (US); **Junghan Kim**, Troy, MI (US)

(73) Assignee: **Ford Global Technologies, LLD**,
Dearborn, MI (US)

(**) Term: **15 Years**

(21) Appl. No.: **29/723,995**

(22) Filed: **Feb. 12, 2020**

(51) **LOC (13) Cl.** **12-16**

(52) **U.S. Cl.**
USPC **D12/209**

(58) **Field of Classification Search**
USPC D12/204–213; D21/563
CPC B60B 7/00; B60B 7/02; B60B 7/04; B60B
7/01; B60B 7/06; B60B 3/02; B60B 3/04;
B60B 3/06; B60B 3/10; B60B 1/00;
B60B 1/08; B60B 1/10; B60B 1/12
See application file for complete search history.

(56) **References Cited**

U.S. PATENT DOCUMENTS

D208,543 S *	9/1967	Halibrand	D12/211
D438,165 S *	2/2001	Echazabal	D12/211
D438,504 S *	3/2001	Muzzarelli	D12/211
D446,493 S *	8/2001	Sulahian	D12/211
D466,466 S *	12/2002	Laengerer	D12/211
D470,449 S *	2/2003	Bernoni	D12/211
D481,344 S *	10/2003	Martin	D12/211
D495,649 S *	9/2004	Schell	D12/209
D516,980 S *	3/2006	Scheu	D12/209
D526,265 S *	8/2006	Muzzarelli	D12/209
D551,146 S *	9/2007	Hueller	D12/209
D580,335 S *	11/2008	Choi	D12/211

D581,338 S *	11/2008	Imai	D12/209
D582,828 S *	12/2008	Young	D12/211
D612,789 S	3/2010	Tant	
D613,228 S *	4/2010	Juergens	D12/209
D613,660 S	4/2010	Tant	
D614,109 S	4/2010	Tant	
D614,110 S	4/2010	Tant	
D614,111 S *	4/2010	Tant	D12/211
D614,112 S	4/2010	Tant	
D625,240 S *	10/2010	George	D12/211
D640,178 S *	6/2011	Groom	D12/211
D668,196 S	10/2012	Tant	
D668,199 S	10/2012	Tant	
D695,188 S *	12/2013	Chinavare	D12/209
D706,695 S	6/2014	Platto	
D706,699 S	6/2014	Platto	
D706,700 S *	6/2014	Platto	D12/211
D709,426 S *	7/2014	Kong	D12/209
D712,330 S *	9/2014	Chung	D12/209

(Continued)

OTHER PUBLICATIONS

Andrew Wendler, The 2021 Ford F-150, Spied Testing, Looks Pretty Evolutionary, May 8 2019 <https://www.caranddriver.com/news/a27409108/2021-ford-f-150-pickup-spied/>.

Primary Examiner — Stacia A Cadmus

(74) *Attorney, Agent, or Firm* — Michael Spenner

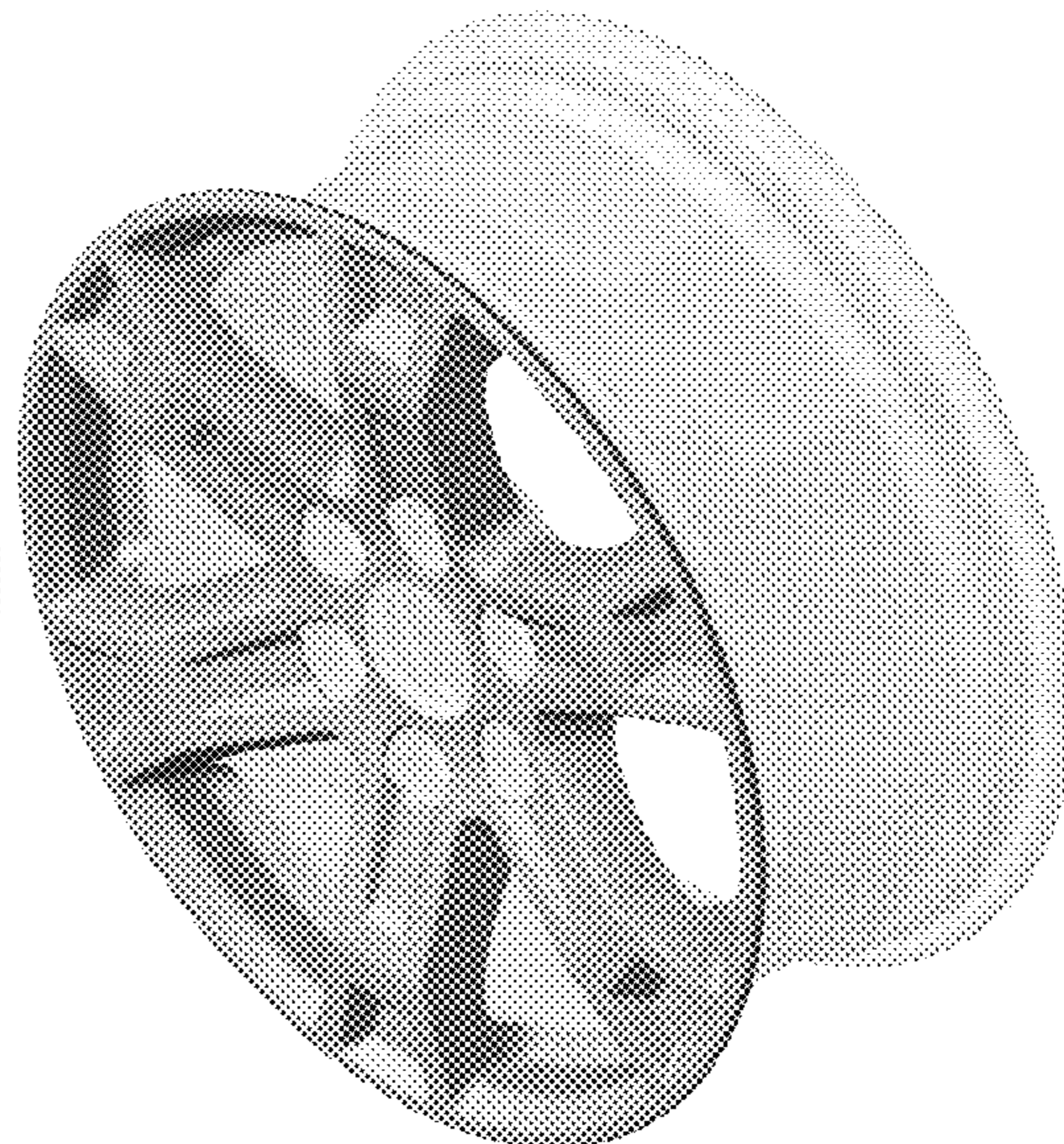
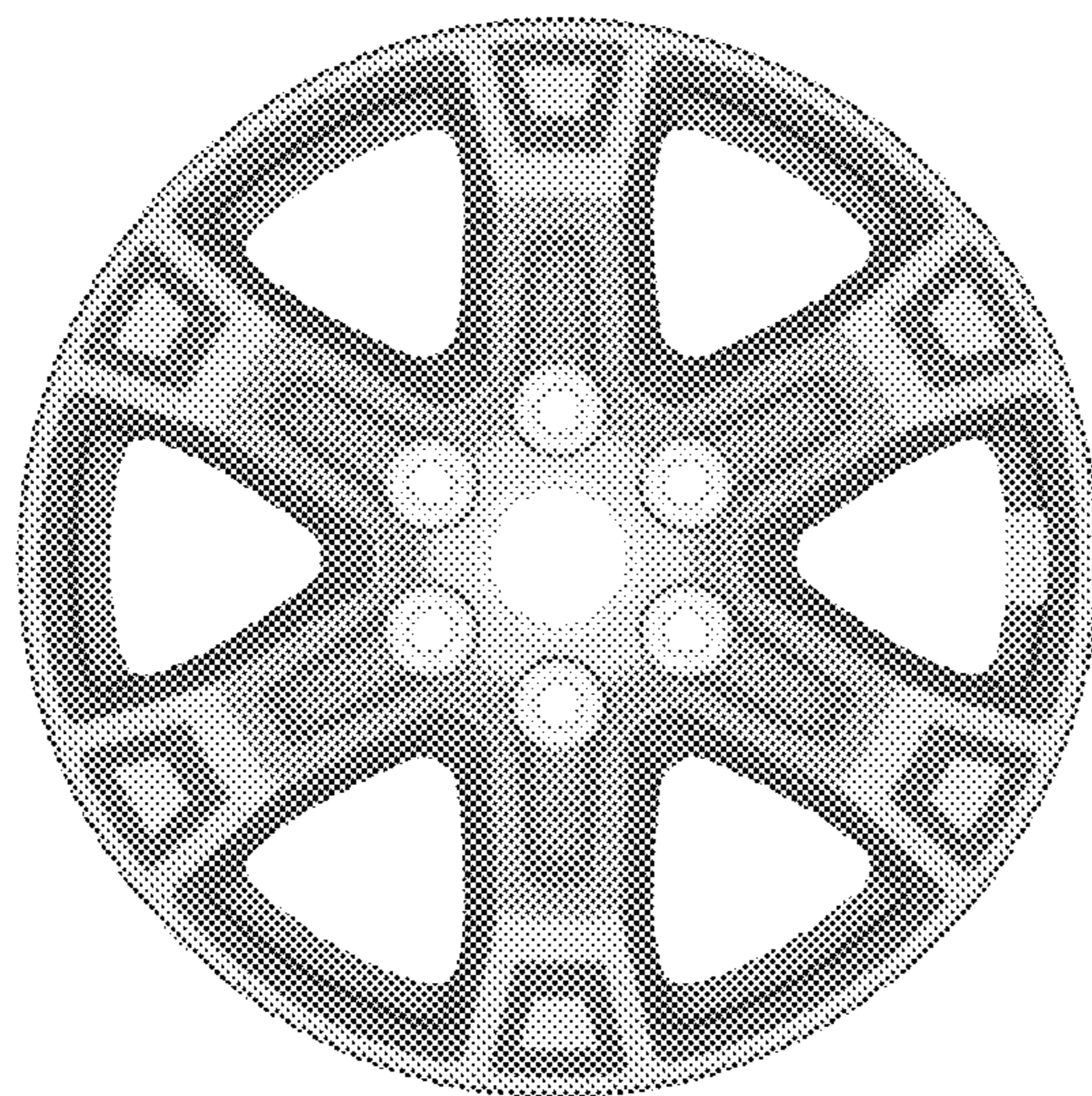
(57) **CLAIM**

The ornamental design for a vehicle wheel, as shown and described.

DESCRIPTION

FIG. 1 is a front elevational view of a vehicle wheel showing our new design; and, FIG. 2 is a perspective view thereof. The claimed design is indicated by the relatively dark portions in the figures. The de-emphasized and relatively light portions form no part of the claimed design.

1 Claim, 2 Drawing Sheets



(56)

References Cited

U.S. PATENT DOCUMENTS

D715,208 S	*	10/2014	Grake	D12/209
D715,719 S		10/2014	Platto	
D734,702 S	*	7/2015	Hale	D12/209
D775,047 S	*	12/2016	Wheel	D12/211
D798,789 S	*	10/2017	Kong	D12/211
D805,991 S		12/2017	Platto	
D805,994 S		12/2017	Platto	
D841,555 S	*	2/2019	Ma	D12/209
D861,564 S	*	10/2019	Dewitt	D12/209
D865,625 S	*	11/2019	Chiu	D12/209
D866,433 S	*	11/2019	Akasawa	D12/209
D884,571 S	*	5/2020	Morgenstern	D12/209
D885,284 S	*	5/2020	Han	D12/209
D887,938 S	*	6/2020	Stone	D12/209
D888,641 S	*	6/2020	Scott	D12/209
D889,360 S	*	7/2020	Ninov	D12/209
D896,153 S	*	9/2020	Hoste	D12/209

* cited by examiner

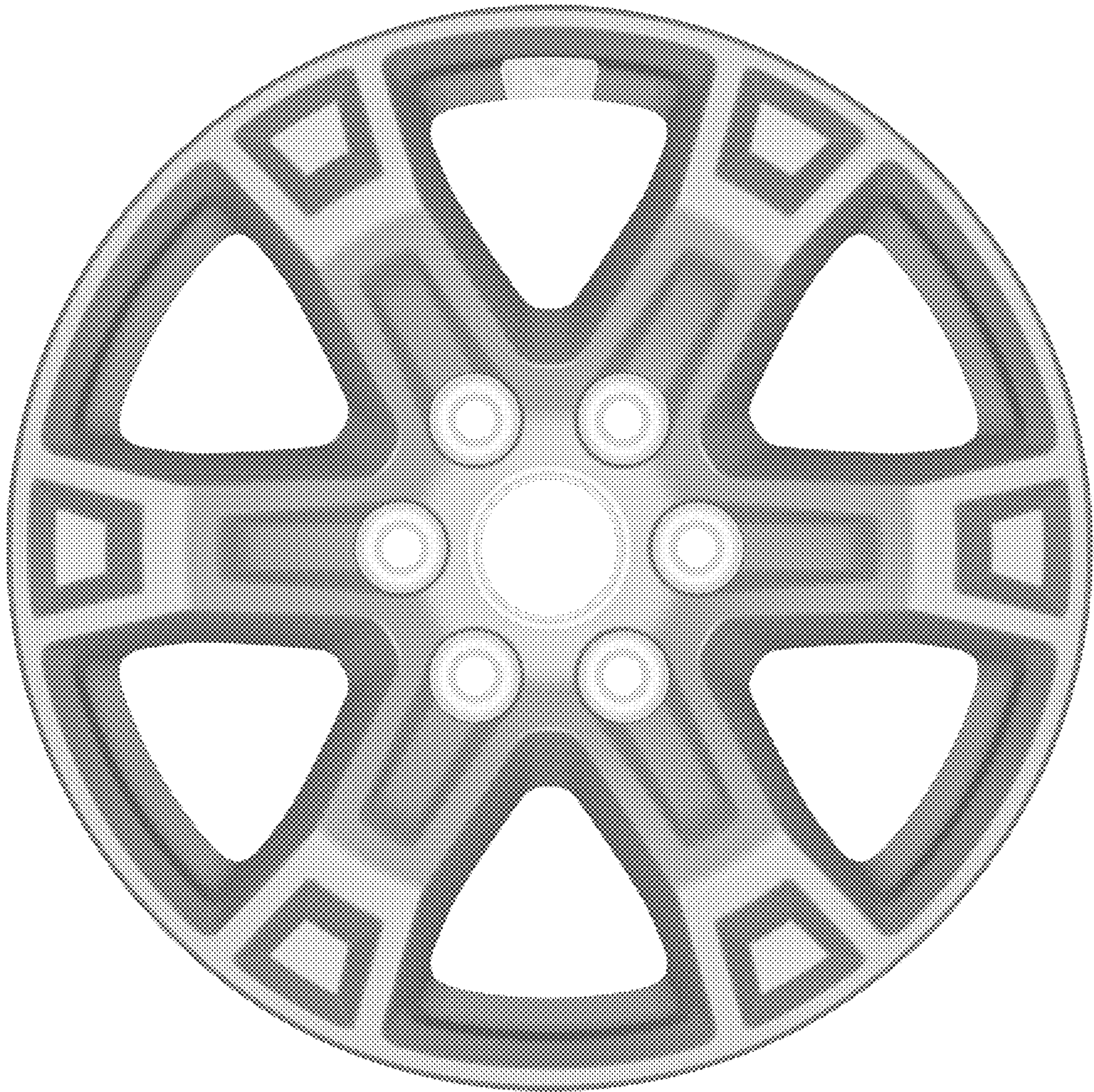


Fig. 1

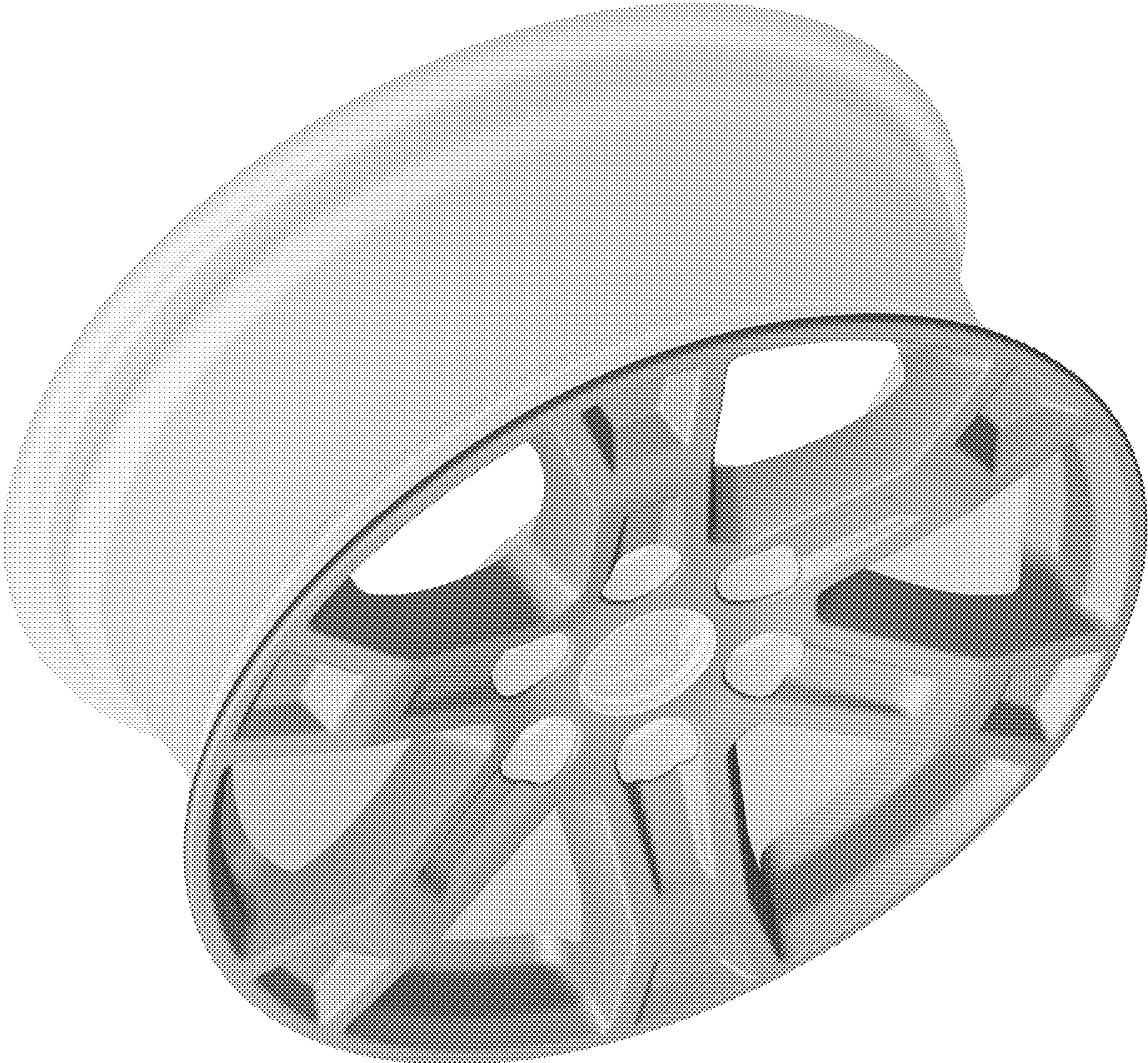


Fig.2