



US00D922291S

(12) **United States Design Patent**
Kaoud et al.

(10) **Patent No.:** **US D922,291 S**

(45) **Date of Patent:** **** Jun. 15, 2021**

(54) **VEHICLE WHEEL**

(71) Applicant: **Ford Global Technologies, LLC**,
Dearborn, MI (US)

(72) Inventors: **Ehab N. Kaoud**, Livonia, MI (US);
William K. Moore, West Bloomfield,
MI (US); **Junghan Kim**, Troy, MI (US)

(73) Assignee: **Ford Global Technologies, LLC**,
Dearborn, MI (US)

(**) Term: **15 Years**

(21) Appl. No.: **29/723,994**

(22) Filed: **Feb. 12, 2020**

(51) **LOC (13) Cl.** **12-16**

(52) **U.S. Cl.**
USPC **D12/209**

(58) **Field of Classification Search**
USPC D12/204–213; D21/563
CPC B60B 7/00; B60B 7/02; B60B 7/04; B60B
7/01; B60B 7/06; B60B 3/02; B60B 3/04;
B60B 3/06; B60B 3/10; B60B 1/00;
B60B 1/08; B60B 1/10; B60B 1/12
See application file for complete search history.

(56) **References Cited**

U.S. PATENT DOCUMENTS

D526,265 S	*	8/2006	Muzzarelli	D12/209
D529,430 S	*	10/2006	Hsu	D12/209
D612,789 S		3/2010	Tant		
D613,660 S		4/2010	Tant		
D614,109 S		4/2010	Tant		
D614,110 S		4/2010	Tant		
D614,112 S		4/2010	Tant		
D625,238 S	*	10/2010	Zhao	D12/209
D668,196 S		10/2012	Tant		
D668,199 S		10/2012	Tant		
D683,292 S	*	5/2013	Woolley	D12/209
D706,695 S		6/2014	Platto		

D706,699 S		6/2014	Platto		
D706,700 S		6/2014	Platto		
D715,719 S		10/2014	Platto		
D758,279 S	*	6/2016	Platto	D12/211
D761,178 S	*	7/2016	Johnson	D12/209
D792,312 S	*	7/2017	Wilson	D12/211
D793,320 S	*	8/2017	Factor	D12/209
D800,629 S	*	10/2017	Tran	D12/209
D805,991 S		12/2017	Platto		
D805,994 S		12/2017	Platto		
D820,184 S	*	6/2018	Bucher	D12/209
D832,175 S	*	10/2018	Chung	D12/209
D835,024 S	*	12/2018	Han	D12/209
D856,251 S	*	8/2019	Dewitt	D12/209
D857,583 S	*	8/2019	Harriton	D12/209
D857,585 S	*	8/2019	Dewitt	D12/209
D864,076 S	*	10/2019	Han	D12/209
D865,623 S	*	11/2019	Han	D12/209
D870,631 S	*	12/2019	Ash	D12/209

(Continued)

OTHER PUBLICATIONS

Andrew Wendler, The 2021 Ford F-150, Spied Testing, Looks Pretty Evolutionary, May 8, 2019 <https://www.caranddriver.com/news/a27409108/2021-ford-f-150-pickup-spied/>.

Primary Examiner — Stacia A Cadmus

(74) *Attorney, Agent, or Firm* — Michael Spenner

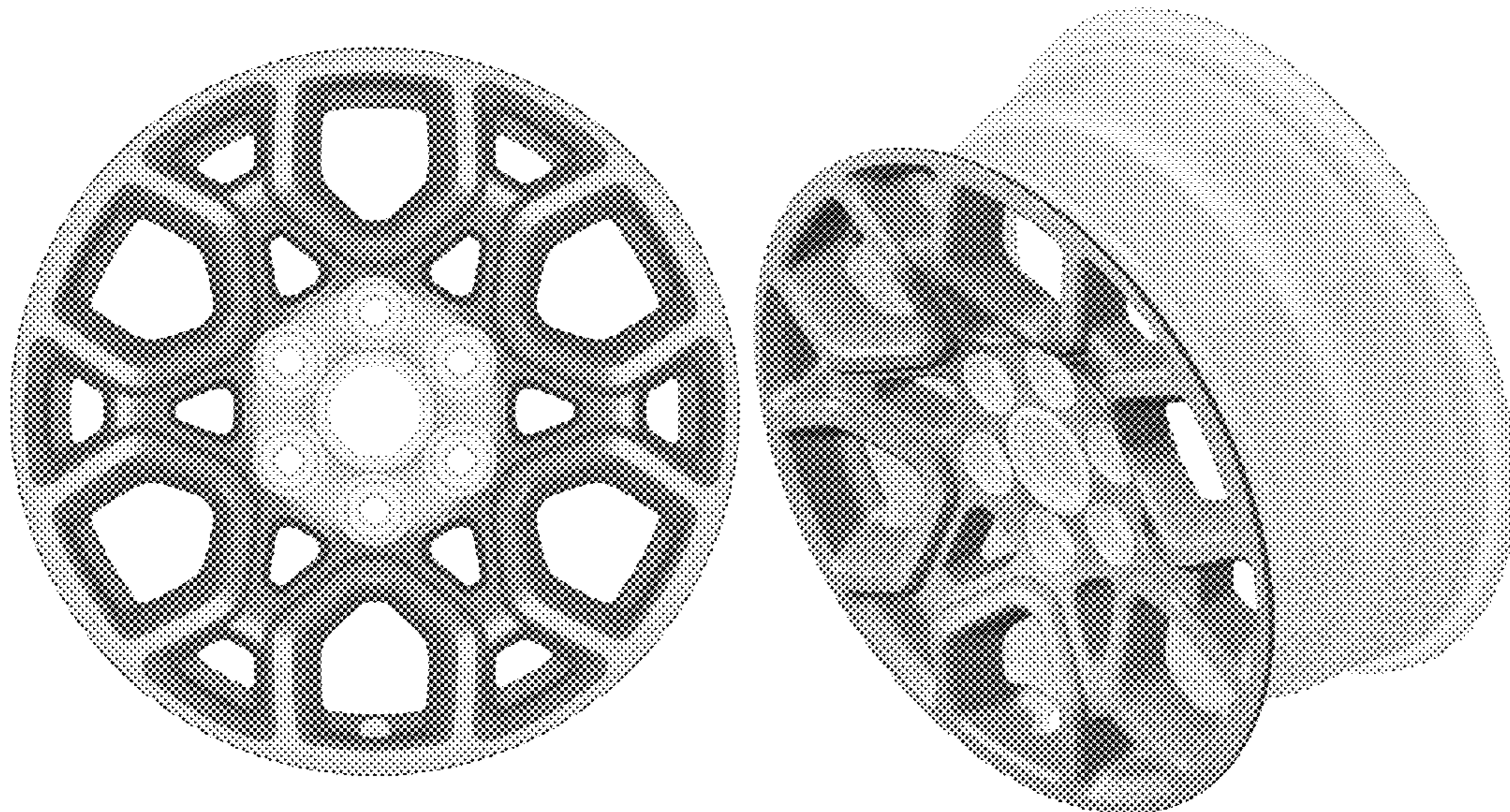
(57) **CLAIM**

The ornamental design for a vehicle wheel, as shown and described.

DESCRIPTION

FIG. 1 is a front elevational view of a vehicle wheel showing our new design; and, FIG. 2 is a perspective view thereof. The claimed design is indicated by the relatively dark portions in the figures. The de-emphasized and relatively light portions form no part of the claimed design.

1 Claim, 2 Drawing Sheets



(56)

References Cited

U.S. PATENT DOCUMENTS

D871,997 S *	1/2020	Itaya	D12/209
D879,001 S *	3/2020	Lee	D12/209
D884,576 S *	5/2020	Hale	D12/209
D886,021 S *	6/2020	Khachatryan	D12/209
D886,705 S *	6/2020	Williams	D12/209
D891,344 S *	7/2020	Platto	D12/209
D893,380 S *	8/2020	Vincent	D12/209
D899,995 S *	10/2020	Platto	D12/209
D902,116 S *	11/2020	Han	D12/209
D911,242 S *	2/2021	Piaskowski	D12/209
D912,595 S *	3/2021	VanRyn	D12/209

* cited by examiner

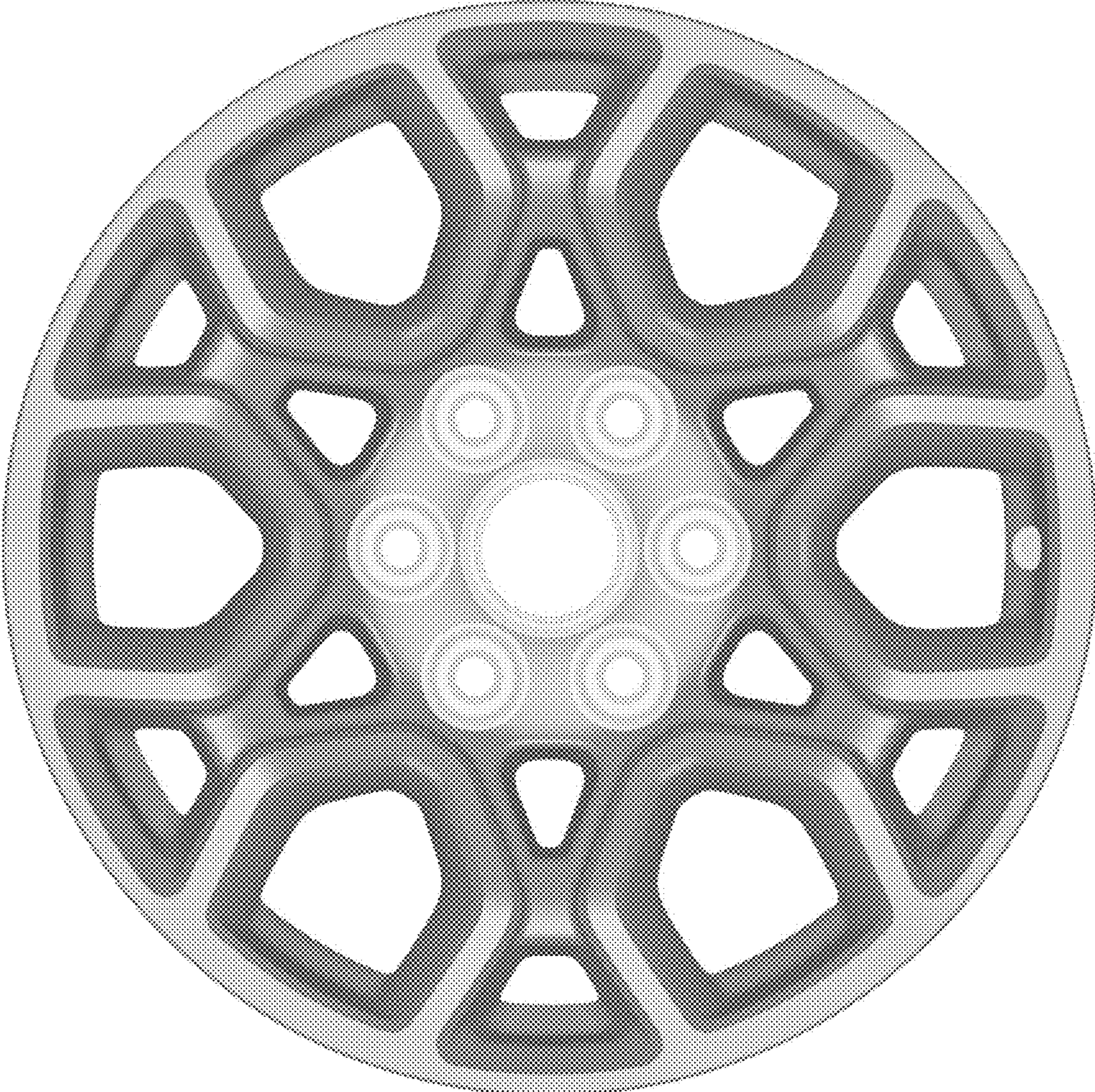


Fig. 1



Fig. 2