



US00D922290S

(12) **United States Design Patent**
Kaoud et al.

(10) **Patent No.:** **US D922,290 S**
(45) **Date of Patent:** **** Jun. 15, 2021**

(54) **VEHICLE WHEEL**

(71) Applicant: **Ford Global Technologies, LLC**,
Dearborn, MI (US)

(72) Inventors: **Ehab N. Kaoud**, Livonia, MI (US);
William K. Moore, West Bloomfield,
MI (US); **Junghan Kim**, Troy, MI (US)

(73) Assignee: **Ford Global Technologies, LLC**,
Dearborn, MI (US)

(**) Term: **15 Years**

(21) Appl. No.: **29/723,992**

(22) Filed: **Feb. 12, 2020**

(51) **LOC (13) Cl.** **12-16**

(52) **U.S. Cl.**
USPC **D12/209**

(58) **Field of Classification Search**
USPC D12/204–213; D21/563
CPC B60B 7/00; B60B 7/02; B60B 7/04; B60B
7/01; B60B 7/06; B60B 3/02; B60B 3/04;
B60B 3/06; B60B 3/10; B60B 1/00;
B60B 1/08; B60B 1/10; B60B 1/12
See application file for complete search history.

(56) **References Cited**

U.S. PATENT DOCUMENTS

D526,265 S * 8/2006 Muzzarelli D12/209
D579,397 S * 10/2008 Osborne D12/211
D612,789 S 3/2010 Tant
D613,660 S 4/2010 Tant
D614,109 S 4/2010 Tant
D614,110 S 4/2010 Tant
D614,112 S 4/2010 Tant
D644,587 S * 9/2011 Gotschke D12/209
D668,196 S 10/2012 Tant
D668,199 S 10/2012 Tant
D683,684 S * 6/2013 Campbell D12/209
D706,695 S 6/2014 Platto

D706,699 S 6/2014 Platto
D706,700 S 6/2014 Platto
D715,719 S 10/2014 Platto
D732,449 S * 6/2015 Grake D12/209
D781,197 S * 3/2017 Ninov D12/209
D783,496 S * 4/2017 Glover D12/209
D792,312 S * 7/2017 Wilson D12/211
D803,748 S * 11/2017 English D12/209
D805,991 S 12/2017 Platto
D805,994 S 12/2017 Platto
D817,246 S * 5/2018 Andoh D12/209
D857,583 S * 8/2019 Harriton D12/209
D871,997 S * 1/2020 Itaya D12/209
D883,172 S * 5/2020 Goodrich D12/209
D889,359 S * 7/2020 Gillam D12/209
D889,360 S * 7/2020 Ninov D12/209
D893,380 S * 8/2020 Vincent D12/209
D894,075 S * 8/2020 Ninov D12/209
D896,147 S * 9/2020 Hoste D12/209

(Continued)

OTHER PUBLICATIONS

Andrew Wendler, The 2021 Ford F-150, Spied Testing, Looks Pretty Evolutionary, May 8, 2019 <https://www.caranddriver.com/news/a27409108/2021-ford-f-150-pickup-spied/>.

Primary Examiner — Stacia A Cadmus
(74) *Attorney, Agent, or Firm* — Michael Spenner

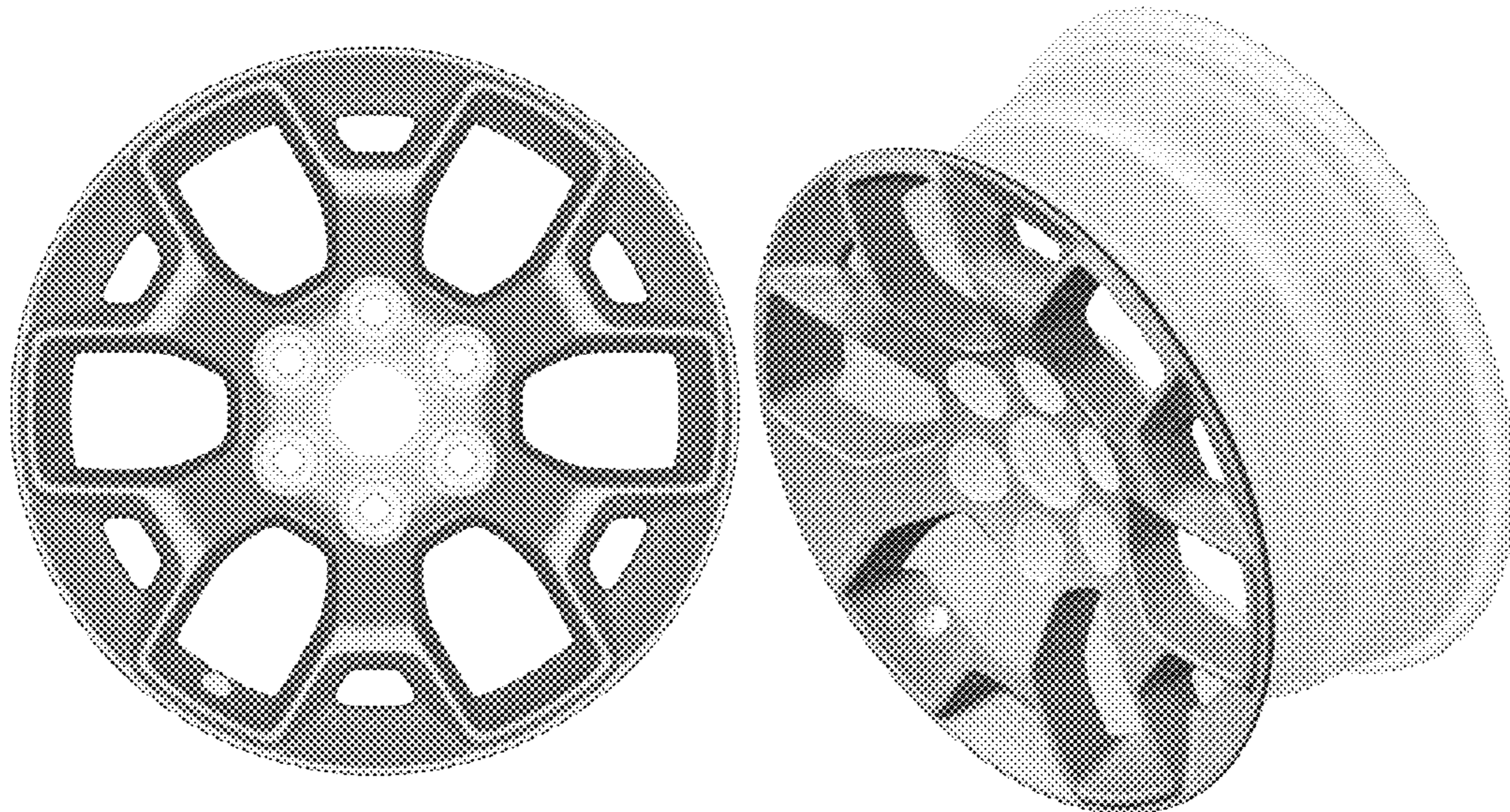
(57) **CLAIM**

The ornamental design for a vehicle wheel, as shown and described.

DESCRIPTION

FIG. 1 is a front elevational view of a vehicle wheel showing our new design; and, FIG. 2 is a perspective view thereof. The claimed design is indicated by the relatively dark portions in the figures. The de-emphasized and relatively light portions form no part of the claimed design.

1 Claim, 2 Drawing Sheets



(56)

References Cited

U.S. PATENT DOCUMENTS

D896,152 S	*	9/2020	Owens	D12/209
D899,998 S	*	10/2020	Carbis	D12/209
D904,960 S	*	12/2020	Carbis	D12/209
D904,961 S	*	12/2020	Carbis	D12/209
D906,213 S	*	12/2020	Carbis	D12/209

* cited by examiner

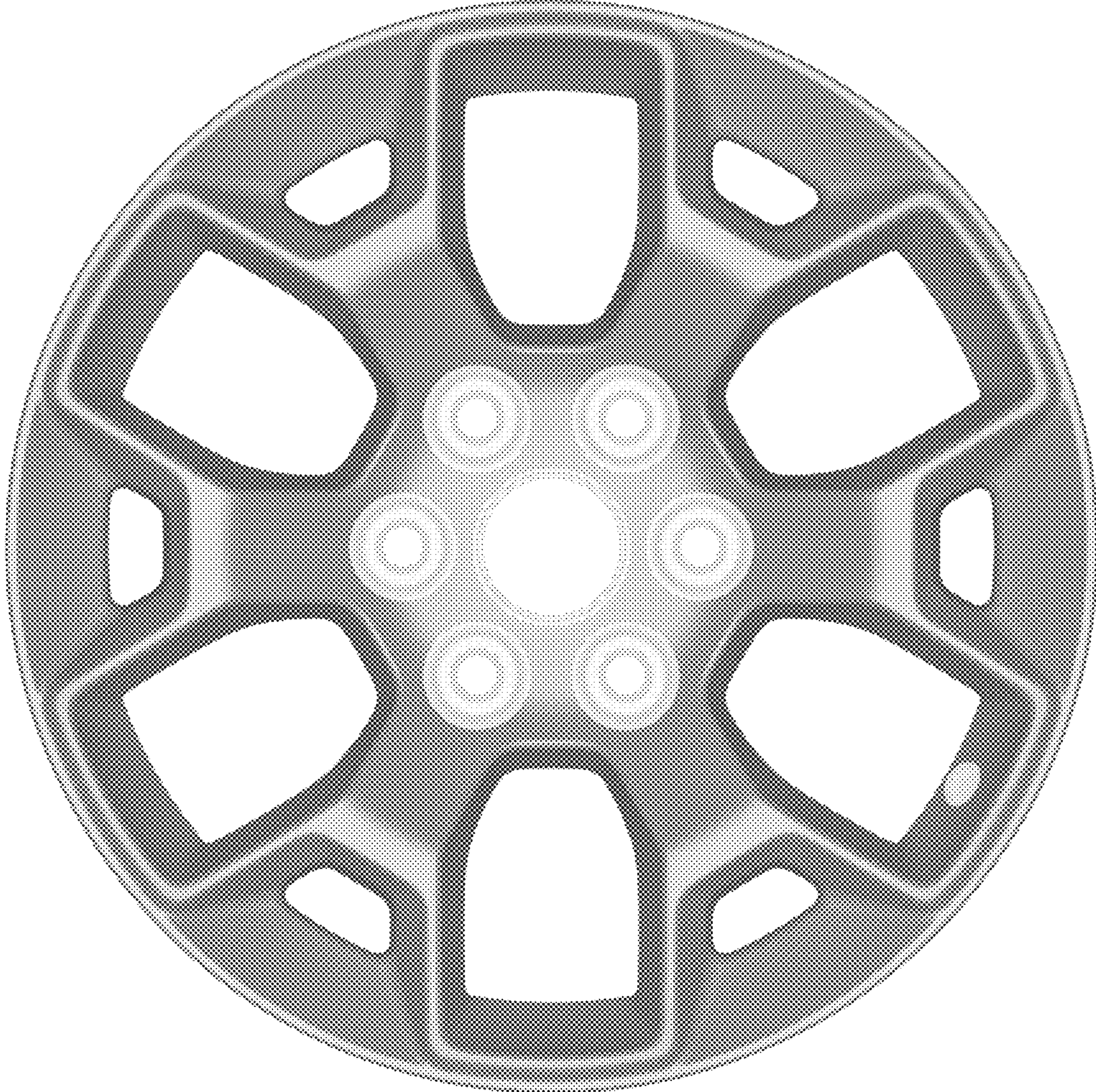


Fig. 1



Fig. 2