



US00D922286S

(12) **United States Design Patent**
Fang

(10) **Patent No.:** **US D922,286 S**

(45) **Date of Patent:** **** Jun. 15, 2021**

(54) **FLOOR MAT**

(71) Applicant: **Huyan Fang**, Short Hills, NJ (US)

(72) Inventor: **Huyan Fang**, Short Hills, NJ (US)

(**) Term: **15 Years**

(21) Appl. No.: **29/680,971**

(22) Filed: **Feb. 21, 2019**

(51) **LOC (13) Cl.** **12-16**

(52) **U.S. Cl.**
USPC **D12/203**

(58) **Field of Classification Search**
USPC D12/203, 221; D6/582-586, 592-594
CPC B60R 13/01; B60N 3/044; B60N 3/04
See application file for complete search history.

(56) **References Cited**

U.S. PATENT DOCUMENTS

D308,507 S *	6/1990	Charet	D12/203
D358,571 S *	5/1995	Thundercloud	D12/203
D393,238 S *	4/1998	Kraines	D12/203
D394,835 S *	6/1998	Crute-Williams	D12/203
D413,850 S *	9/1999	Wang	D12/203
D425,005 S *	5/2000	Rizvi	D12/203
D442,902 S *	5/2001	Iacovelli	D12/203
D454,321 S *	3/2002	Lu	D12/203
D467,532 S *	12/2002	Kraines	D12/203
D491,122 S *	6/2004	Kraines	D12/203
D508,449 S *	8/2005	Hussaini	D12/203
D508,670 S *	8/2005	Hussaini	D12/203
D509,174 S *	9/2005	Hussaini	D12/203
D511,732 S *	11/2005	Hussaini	D12/203
D513,216 S *	12/2005	Hussaini	D12/203
D514,044 S *	1/2006	Hussaini	D12/203
D514,045 S *	1/2006	Hussaini	D12/203
D555,562 S *	11/2007	Iacovelli	D12/203
D555,563 S *	11/2007	Iacovelli	D12/203
D556,112 S *	11/2007	Lu	D12/203
D562,751 S *	2/2008	Lu	D12/203
D569,318 S *	5/2008	Kraines	D12/203

D613,226 S *	4/2010	Lu	D12/203
D622,648 S *	8/2010	Lu	D12/203
D642,844 S *	8/2011	Cheris	D6/582
D647,446 S *	10/2011	Jeackjuntra	D12/203
D648,252 S *	11/2011	Yang	D12/203
D680,932 S *	4/2013	Lu	D12/203
D711,799 S *	8/2014	Assil	D12/203
D711,805 S *	8/2014	Assil	D12/203
D715,714 S *	10/2014	Assil	D12/203
D733,022 S *	6/2015	Chang	D12/203

(Continued)

OTHER PUBLICATIONS

FH Group F12001Brown Luxury Universal All-Season Heavy-Duty Faux Leather Car Floor Mats Stripe Design w. High Tech 3-D Anti-Skid / Slip Backing; Feb. 15, 2019; https://www.amazon.com/FH-Group-F12001BROWN-All-Season-Heavy-Duty/dp/B07MC9J835/ref=cm_cr_arp_d_product_top?ie=UTF8 ; 1Pg. (Year: 2019).*

Primary Examiner — Michelle E. Wilson

Assistant Examiner — Clese Moore, Jr.

(74) *Attorney, Agent, or Firm* — Dunlap Bennett & Ludwig, PLLC

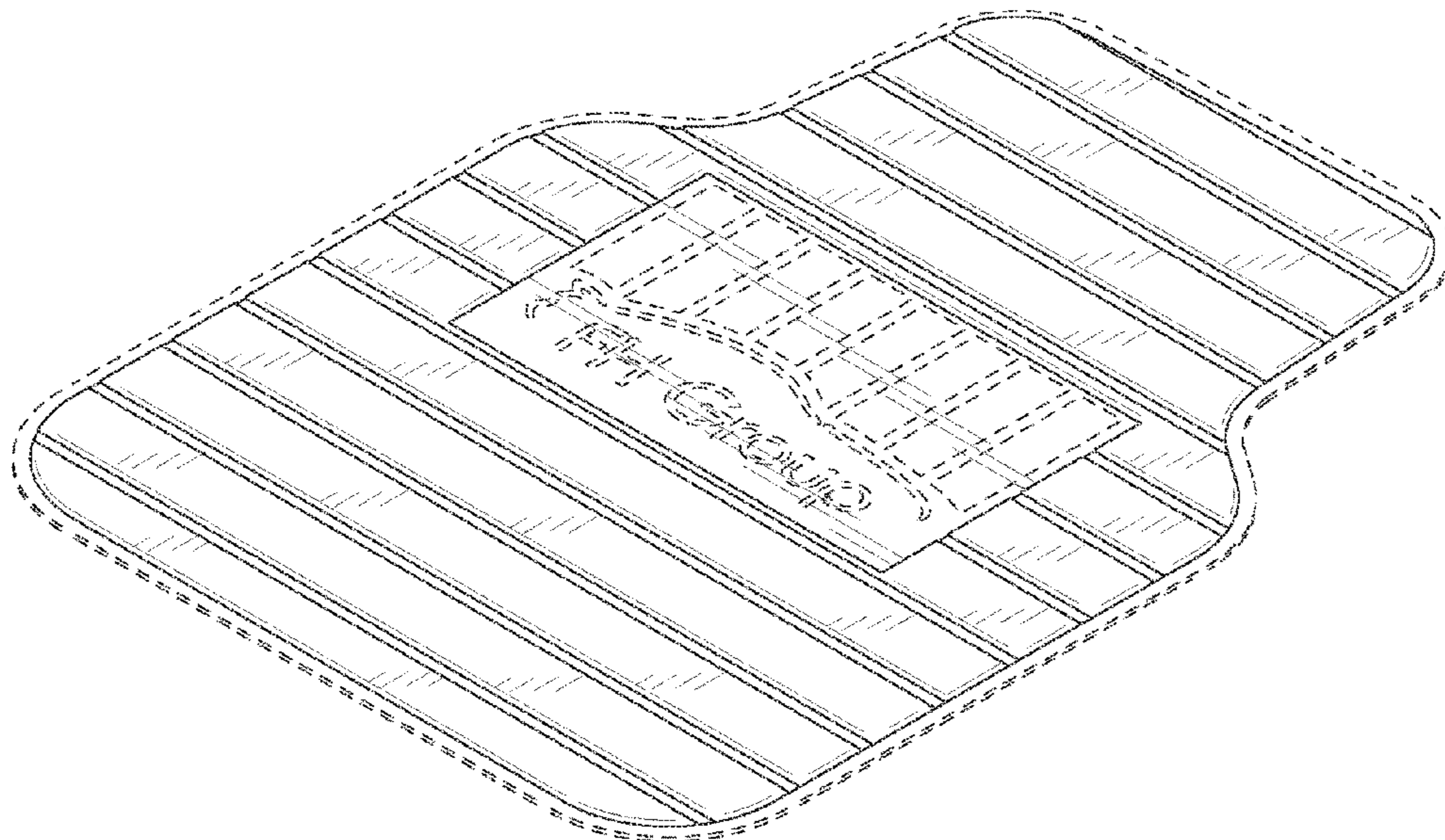
(57) **CLAIM**

The ornamental design for a floor mat, as shown and described.

DESCRIPTION

FIG. 1 is a top front perspective view of a floor mat; FIG. 2 is a front elevation view thereof; FIG. 3 is a top elevation view thereof; FIG. 4 is a bottom elevation view thereof; FIG. 5 is a rear elevation view thereof; FIG. 6 is a right side elevation view thereof; and, FIG. 7 is a left side elevation view thereof. The broken lines shown in the drawings depict portions of the floor mat that forms no part of the claimed invention.

1 Claim, 3 Drawing Sheets



(56)

References Cited

U.S. PATENT DOCUMENTS

D734,231	S	*	7/2015	Lu	D12/203
D734,232	S	*	7/2015	Chang	D12/203
D766,798	S	*	9/2016	Lu	D12/203
D777,072	S	*	1/2017	Gross	D12/203
D777,637	S	*	1/2017	Gross	D12/203
D792,302	S	*	7/2017	Gross	D12/203
D795,773	S	*	8/2017	Lu	D12/203
D798,210	S	*	9/2017	Ying	D12/203
D799,392	S	*	10/2017	Lu	D12/203
D800,041	S	*	10/2017	Alesi	D12/203
D800,043	S	*	10/2017	Alesi	D12/203
D805,452	S	*	12/2017	Alesi	D12/203
D816,007	S	*	4/2018	Lu	D12/203
D836,518	S	*	12/2018	Lu	D12/203
2009/0304978	A1	*	12/2009	Huang	B60N 3/048 428/69

* cited by examiner

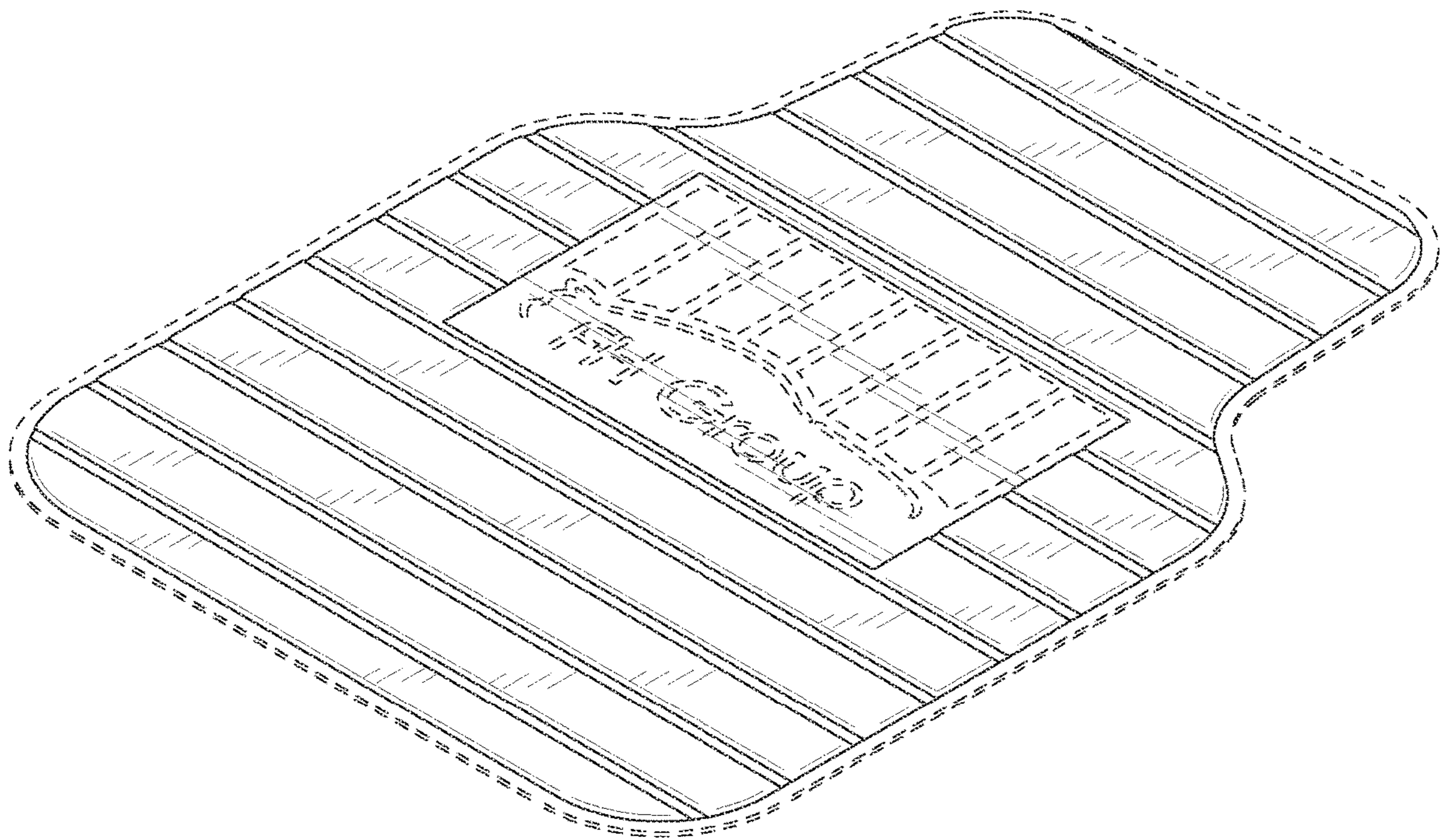


FIG. 1

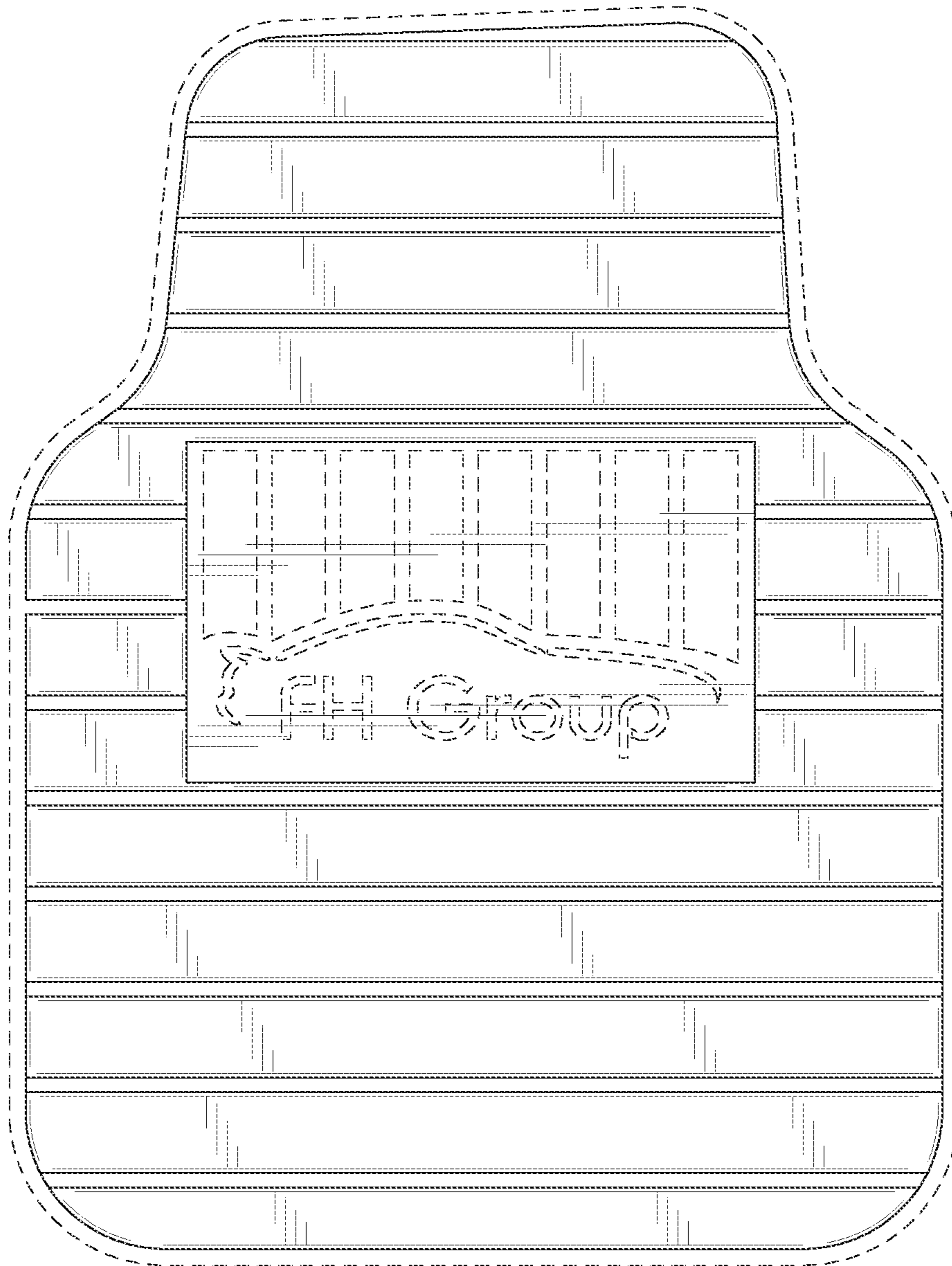


FIG. 2

FIG. 3

FIG. 4

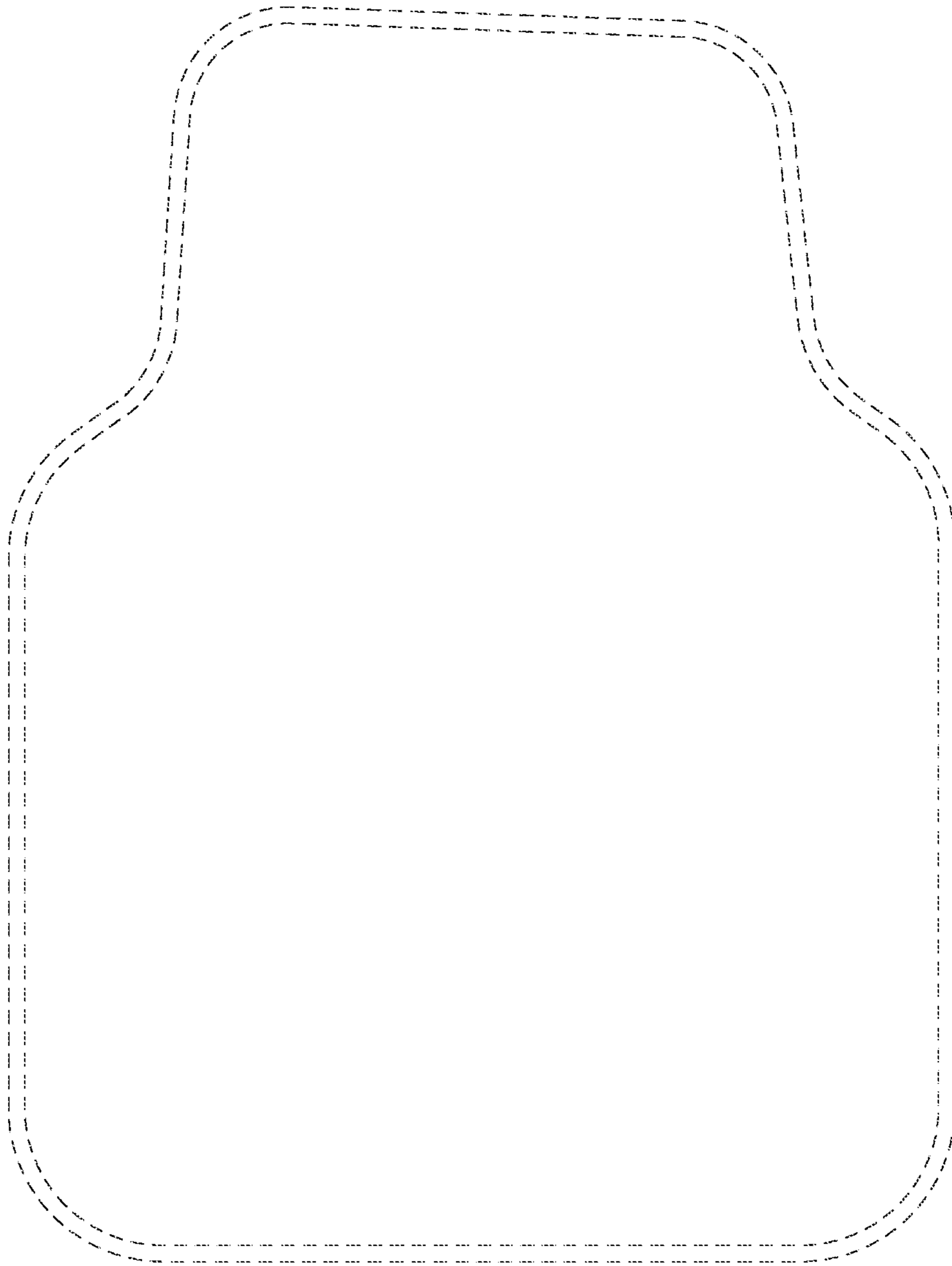


FIG. 5

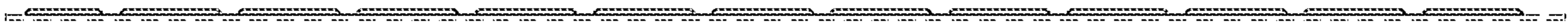


FIG. 6

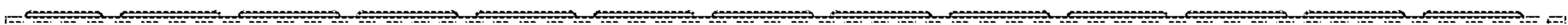


FIG. 7