



US00D922285S

(12) **United States Design Patent**  
**Shinohara et al.**

(10) **Patent No.:** **US D922,285 S**  
(45) **Date of Patent:** **\*\* Jun. 15, 2021**

(54) **MOTOR VEHICLE**

D583,288 S \* 12/2008 Leclercq ..... D12/196  
D593,016 S \* 5/2009 Habib ..... D12/196  
D593,471 S \* 6/2009 Larson ..... D12/196

(71) Applicant: **MAZDA MOTOR CORPORATION**,  
Hiroshima (JP)

(Continued)

(72) Inventors: **Takeshi Shinohara**, Hiroshima (JP);  
**Yoshito Iwauchi**, Hiroshima (JP); **Kota Akagawa**, Oberursel (DE); **Yuuji Ishimoto**, Hiroshima (JP); **Yutaka Sukegawa**, Hiroshima (JP); **Heitetsu Takemoto**, Hiroshima (JP); **Ryuji Kumagai**, Hiroshima (JP)

FOREIGN PATENT DOCUMENTS

JP 1601463 S 4/2018

*Primary Examiner* — Brett Miller

*Assistant Examiner* — Suzanne E Tisdell

(74) *Attorney, Agent, or Firm* — Studebaker & Brackett  
PC

(73) Assignee: **MAZDA MOTOR CORPORATION**,  
Hiroshima (JP)

(57) **CLAIM**

The ornamental design for a motor vehicle, as shown and described.

(\*\*) Term: **15 Years**

**DESCRIPTION**

(21) Appl. No.: **29/691,343**

(22) Filed: **May 15, 2019**

(30) **Foreign Application Priority Data**

Nov. 16, 2018 (JP) ..... 2018-025037

(51) **LOC (13) Cl.** ..... **12-16**

(52) **U.S. Cl.**  
USPC ..... **D12/196**

(58) **Field of Classification Search**

USPC .... D12/190, 193, 195, 196, 414, 86, 88, 90,  
D12/91, 92; D21/424, 433, 434  
CPC ..... E05B 81/56; E05B 81/80; E05B 65/00;  
E05B 65/06; E05B 65/10; E05B 65/12;  
E05B 79/06; B60J 5/04

See application file for complete search history.

FIG. 1 is a top, front and side perspective view of a motor vehicle showing our new design;  
FIG. 2 is a front and side perspective view thereof;  
FIG. 3 is a rear, front and side perspective view thereof;  
FIG. 4 is a right side view thereof;  
FIG. 5 is a front view thereof;  
FIG. 6 is a top view thereof;  
FIG. 7 is an enlarged elevational view of part A taken along line 7-7 end in FIG. 4;  
FIG. 8 is an enlarged elevational view of part B taken along line 8-8 end in FIG. 4;  
FIG. 9 is an enlarged elevational view of part C taken along line 9-9 end in FIG. 4; and,  
FIG. 10 is an enlarged elevational view of part D taken along line 10-10 end in FIG. 4.

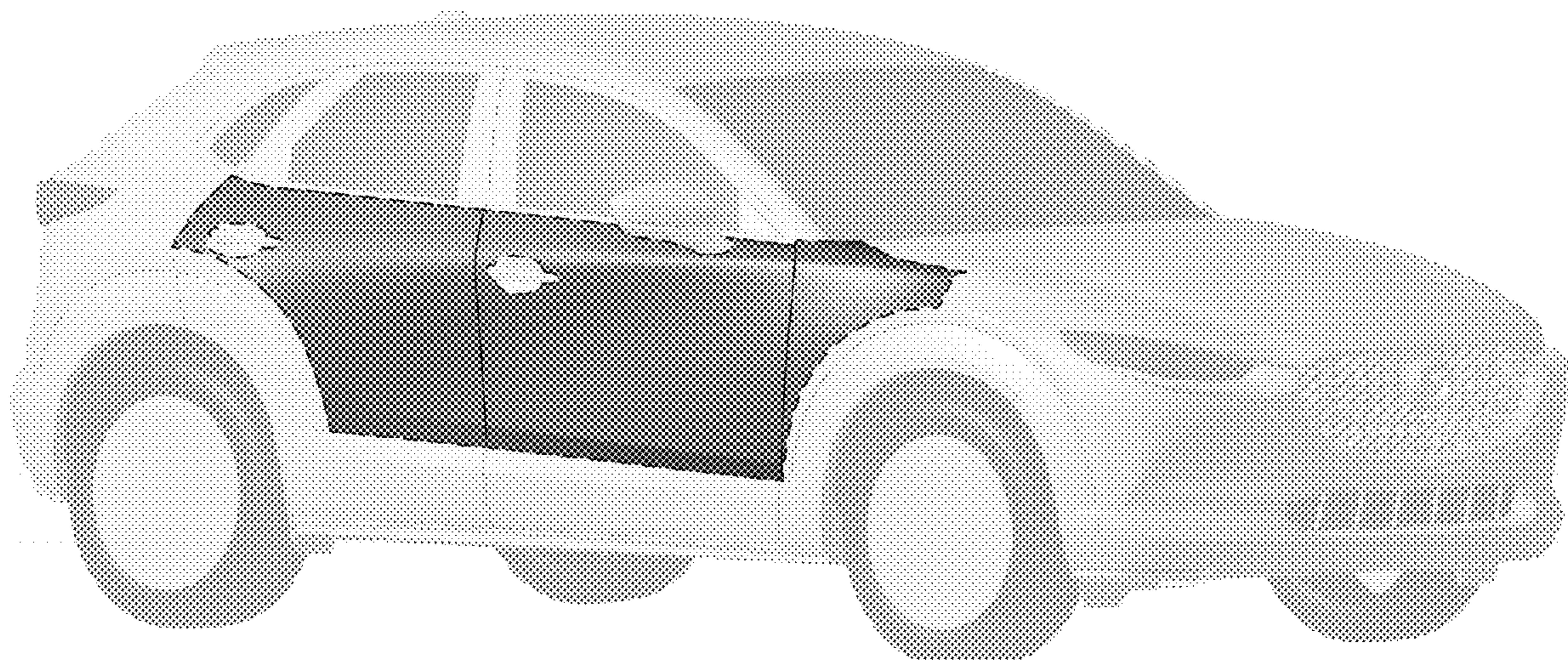
The claim for a motor vehicle shown in FIGS. 1-6 is shown within the broken lines and the broken lines and any element shown outside the broken lines form no part of the claimed design, but instead are included to show environmental aspects of the claimed design. The broken lines shown in FIGS. 7-10 of an inner portion of the motor vehicle are for the purpose of illustrating subject matter that forms no part of the claimed design.

(56) **References Cited**

U.S. PATENT DOCUMENTS

D468,675 S \* 1/2003 Murkett ..... D12/196  
D558,113 S \* 12/2007 Leclercq ..... D12/196  
D573,522 S \* 7/2008 Sato ..... D12/196  
D580,332 S \* 11/2008 Gueler ..... D12/196

**1 Claim, 8 Drawing Sheets**



(56)

References Cited

U.S. PATENT DOCUMENTS

D593,918 S *	6/2009	Larson	D12/196	D839,137 S *	1/2019	Kim	D12/92
D601,072 S *	9/2009	Giachin	D12/196	D845,171 S *	4/2019	Kang	D12/90
D615,017 S *	5/2010	Smith	D12/195	D846,446 S *	4/2019	Kang	D12/90
D616,348 S *	5/2010	Rosenbohm	D12/195	D847,022 S *	4/2019	Kang	D12/90
D620,415 S *	7/2010	Froehlich	D12/196	D869,340 S *	12/2019	Perini	D12/92
D629,730 S *	12/2010	Schneider	D12/196	D871,971 S *	1/2020	Kim	D12/92
D633,022 S *	2/2011	Hwang	D12/195	D874,340 S *	2/2020	Ishii	D12/91
D633,023 S *	2/2011	Hwang	D12/195	D874,341 S *	2/2020	Ishii	D12/91
D636,317 S *	4/2011	Matei	D12/196	D874,342 S *	2/2020	Ishii	D12/91
D645,388 S *	9/2011	Kumai	D12/196	D874,343 S *	2/2020	Kobayashi	D12/91
D653,187 S *	1/2012	Tomatsu	D12/196	D874,344 S *	2/2020	Ham	D12/92
D665,321 S *	8/2012	Huet	D12/196	D899,970 S *	10/2020	Tanaka	D12/91
D674,328 S *	1/2013	Ikuma	D12/196	D899,971 S *	10/2020	Tanaka	D12/92
D676,366 S *	2/2013	Yamada	D12/196	D904,232 S *	12/2020	Luchner	D12/99
D695,178 S *	12/2013	Tada	D12/196	D904,932 S *	12/2020	Bischoff	D12/91
D695,663 S *	12/2013	Suga	D12/196	D904,934 S *	12/2020	Bischoff	D12/91
D699,654 S *	2/2014	Okue	D12/196	D906,175 S *	12/2020	Mayer	D12/91
D700,875 S *	3/2014	Jevremovic	D12/196	D906,180 S *	12/2020	Guille	D12/92
D701,809 S *	4/2014	Hildebrand	D12/196	D906,882 S *	1/2021	Beckles	D12/91
D703,123 S *	4/2014	Hildebrand	D12/196	D906,885 S *	1/2021	Badstuebner	D12/92
D705,149 S *	5/2014	Sakae	D12/196	D906,886 S *	1/2021	Hatton	D12/92
D758,270 S *	6/2016	Zadnik	D12/196	D909,247 S *	2/2021	Tonello	D12/91
D762,541 S *	8/2016	Jo	D12/196	D909,248 S *	2/2021	Tonello	D12/91
D763,156 S *	8/2016	Jo	D12/196	D909,249 S *	2/2021	Tonello	D12/91
D765,571 S *	9/2016	Faghihzadeh	D12/196	D909,252 S *	2/2021	Park	D12/91
D772,758 S *	11/2016	Frascella	D12/92	D909,253 S *	2/2021	Tonello	D12/92
D772,772 S *	11/2016	Frascella	D12/196	2013/0055643 A1 *	3/2013	Setina	B60R 13/0243 49/463
D775,567 S *	1/2017	Faghihzadeh	D12/196	2014/0132025 A1 *	5/2014	Usami	B60J 1/2063 296/97.8
D776,593 S *	1/2017	Schneider	D12/196	2015/0035310 A1 *	2/2015	Yamaguchi	B60R 13/0206 296/153
D779,407 S *	2/2017	Bae	D12/196	2015/0329057 A1 *	11/2015	Tiboni	B62D 65/14 296/37.13
D781,194 S *	3/2017	Bae	D12/196	2015/0360623 A1 *	12/2015	Larsen	B60R 13/02 296/29
D785,529 S *	5/2017	Kyung	D12/196	2016/0187107 A1 *	6/2016	Johnston	F41H 7/00 89/36.08
D785,531 S *	5/2017	Lim	D12/196	2016/0280129 A1 *	9/2016	Newbound	B60Q 3/217
D786,761 S *	5/2017	Luk	D12/196	2018/0051493 A1 *	2/2018	Krishnan	E05B 81/86
D790,404 S *	6/2017	Iwao et al.					
D801,246 S *	10/2017	Lee	D12/196				
D803,121 S *	11/2017	Granlund	D12/196				
D803,122 S *	11/2017	Granlund	D12/196				

\* cited by examiner

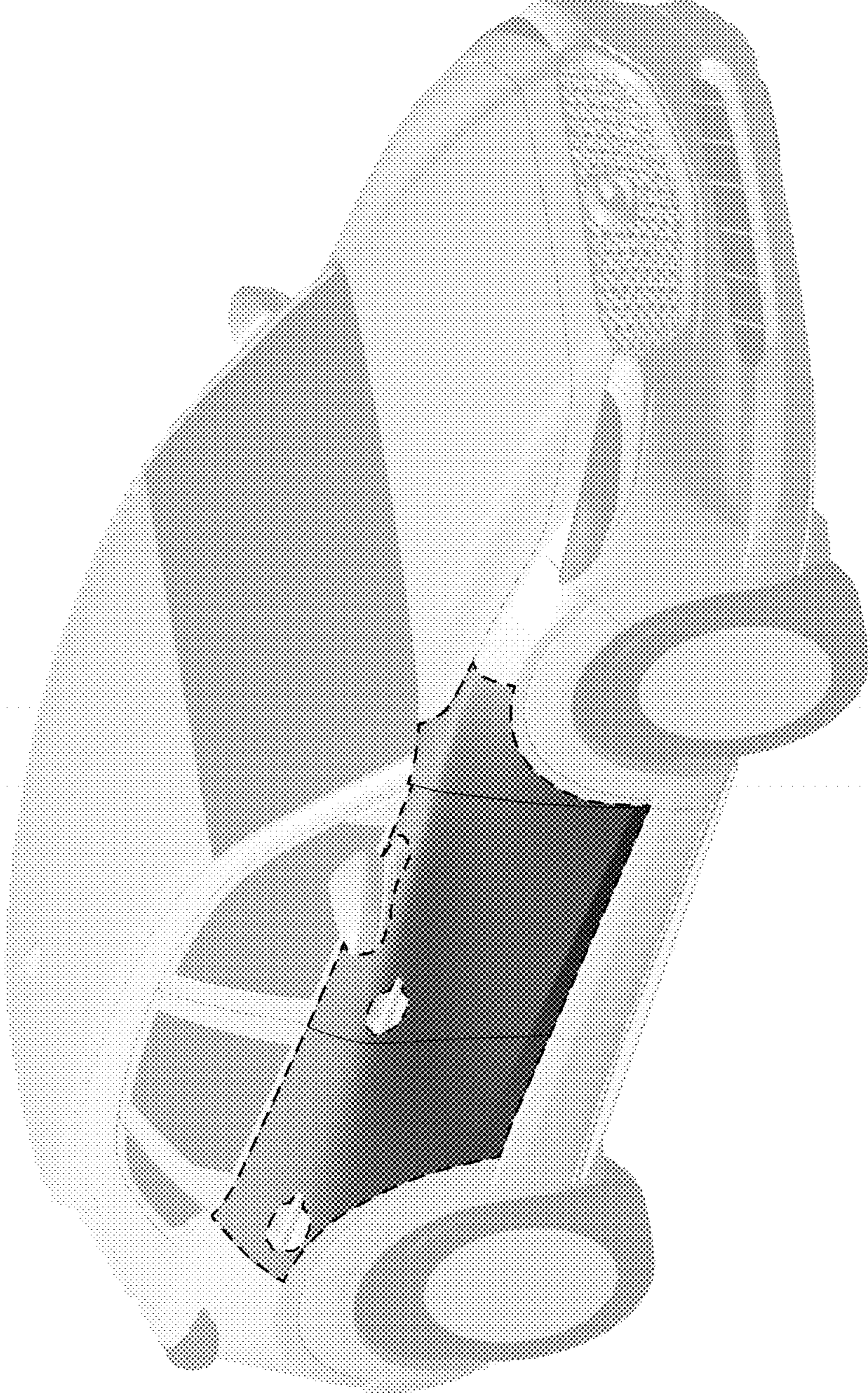


FIG.1

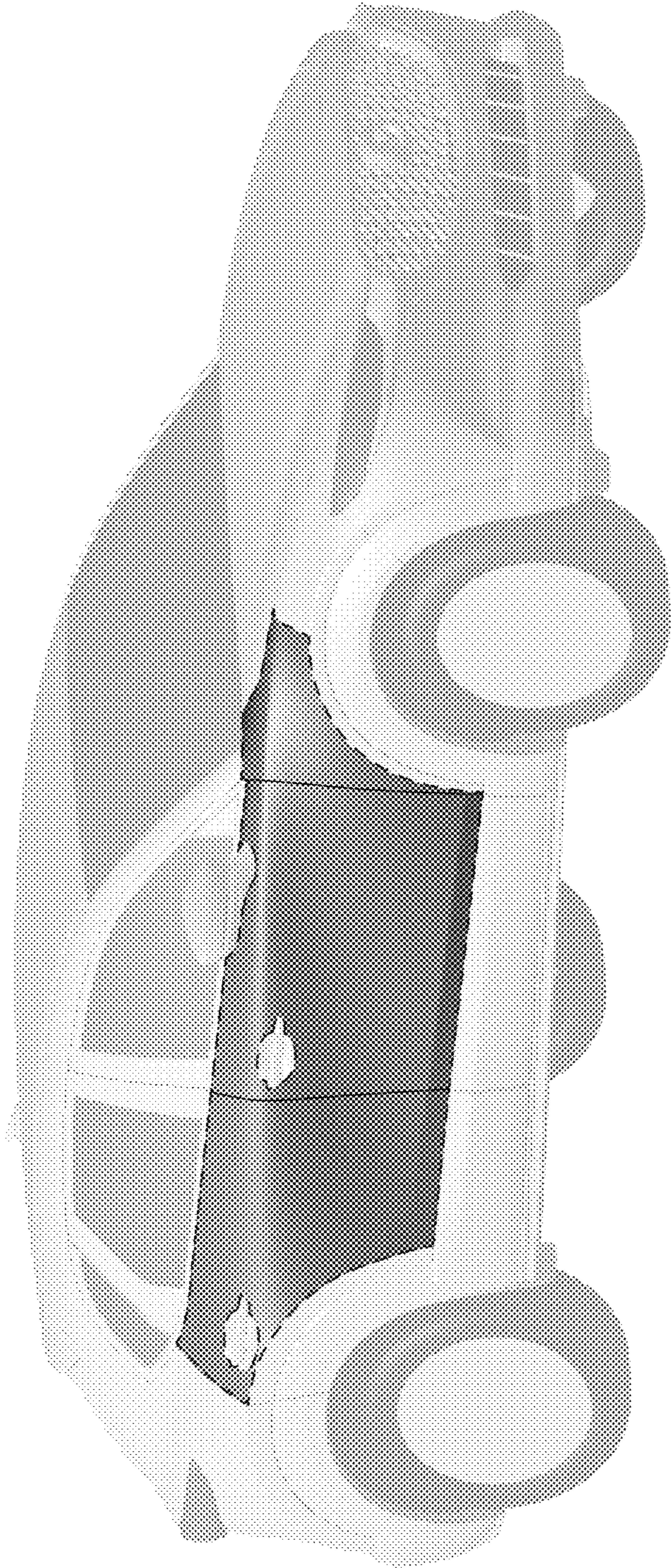


FIG.2

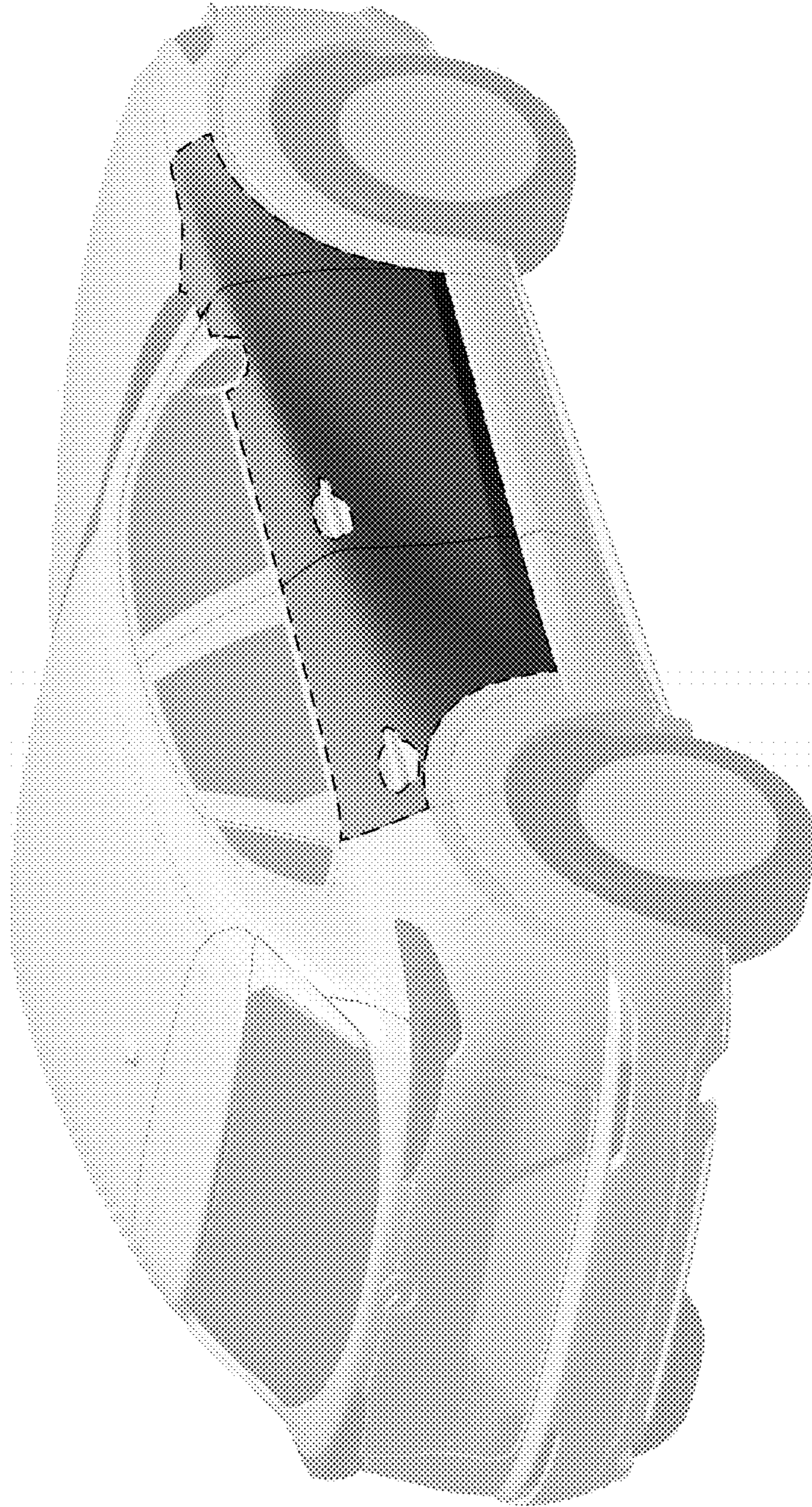


FIG.3

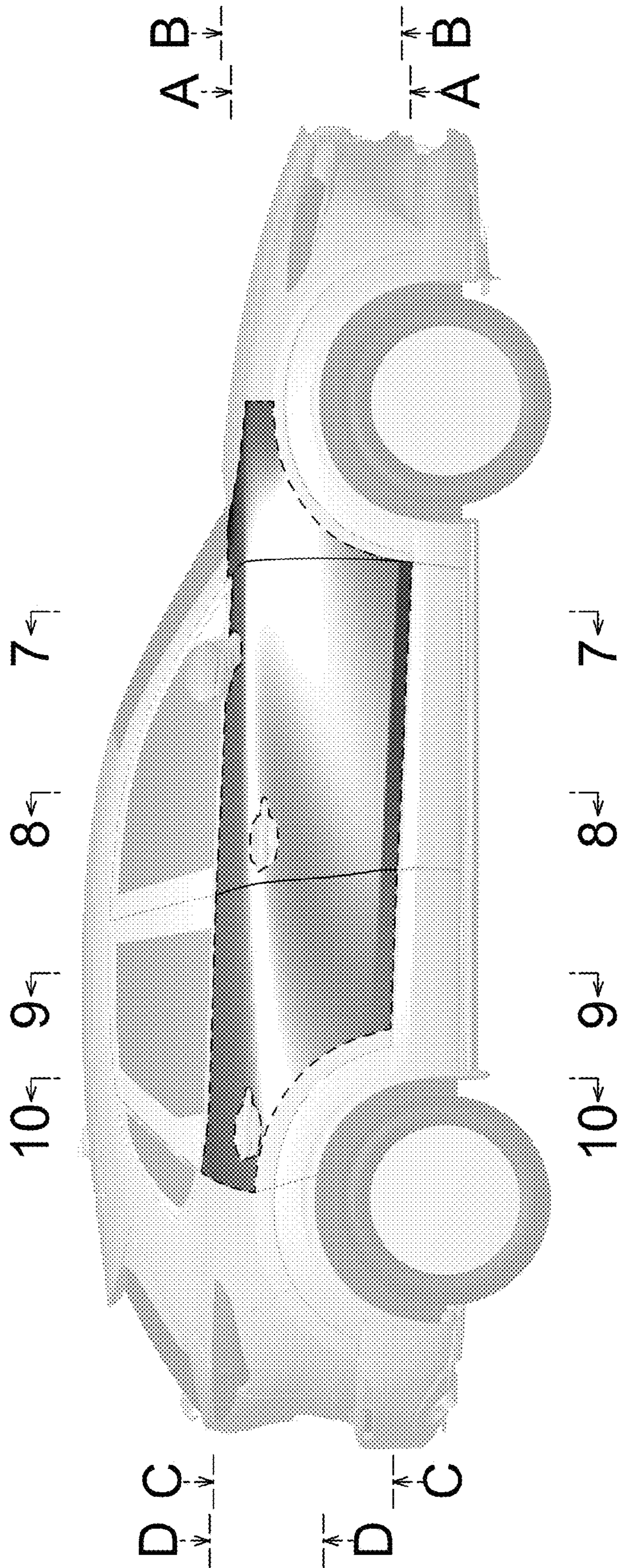


FIG.4

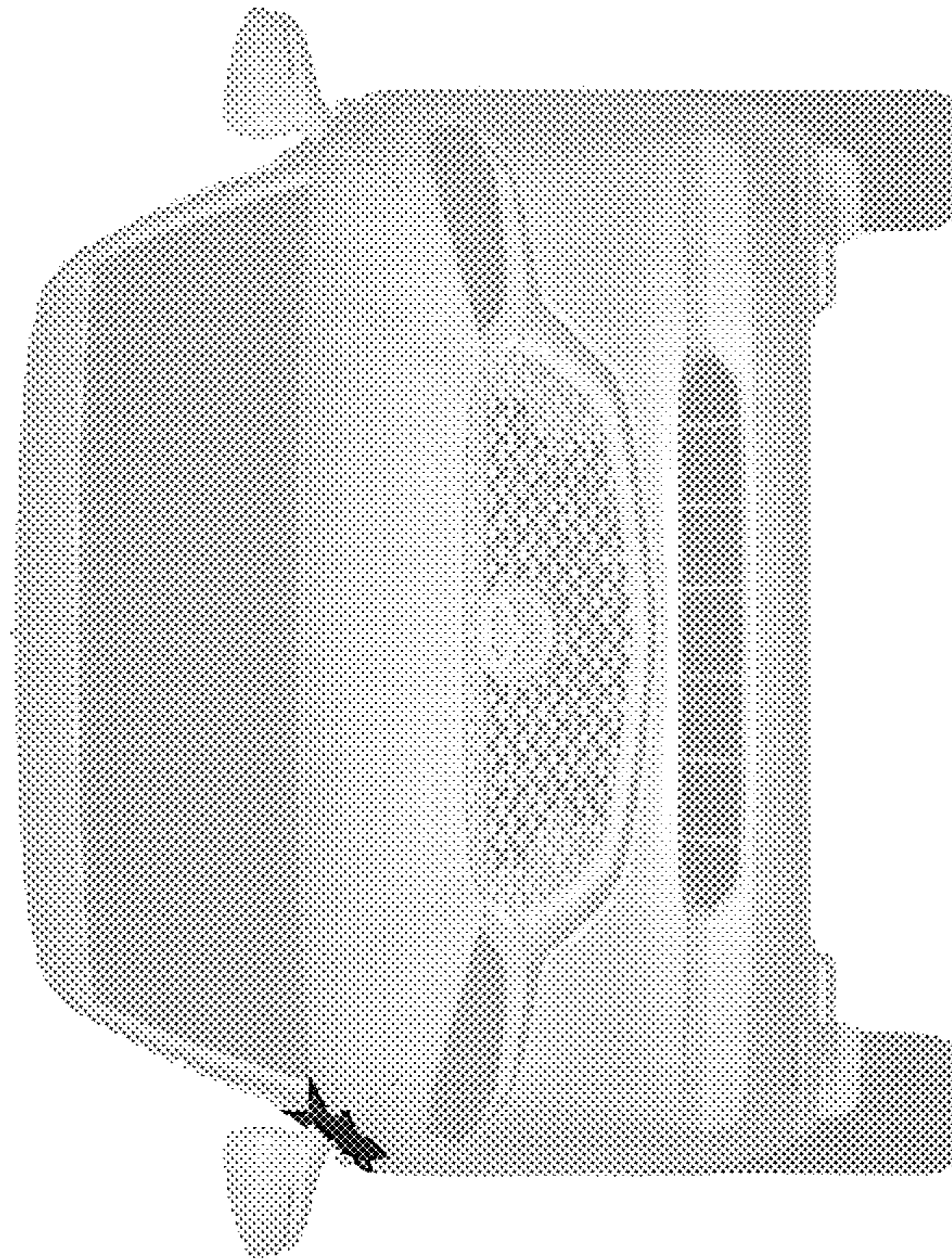


FIG.5

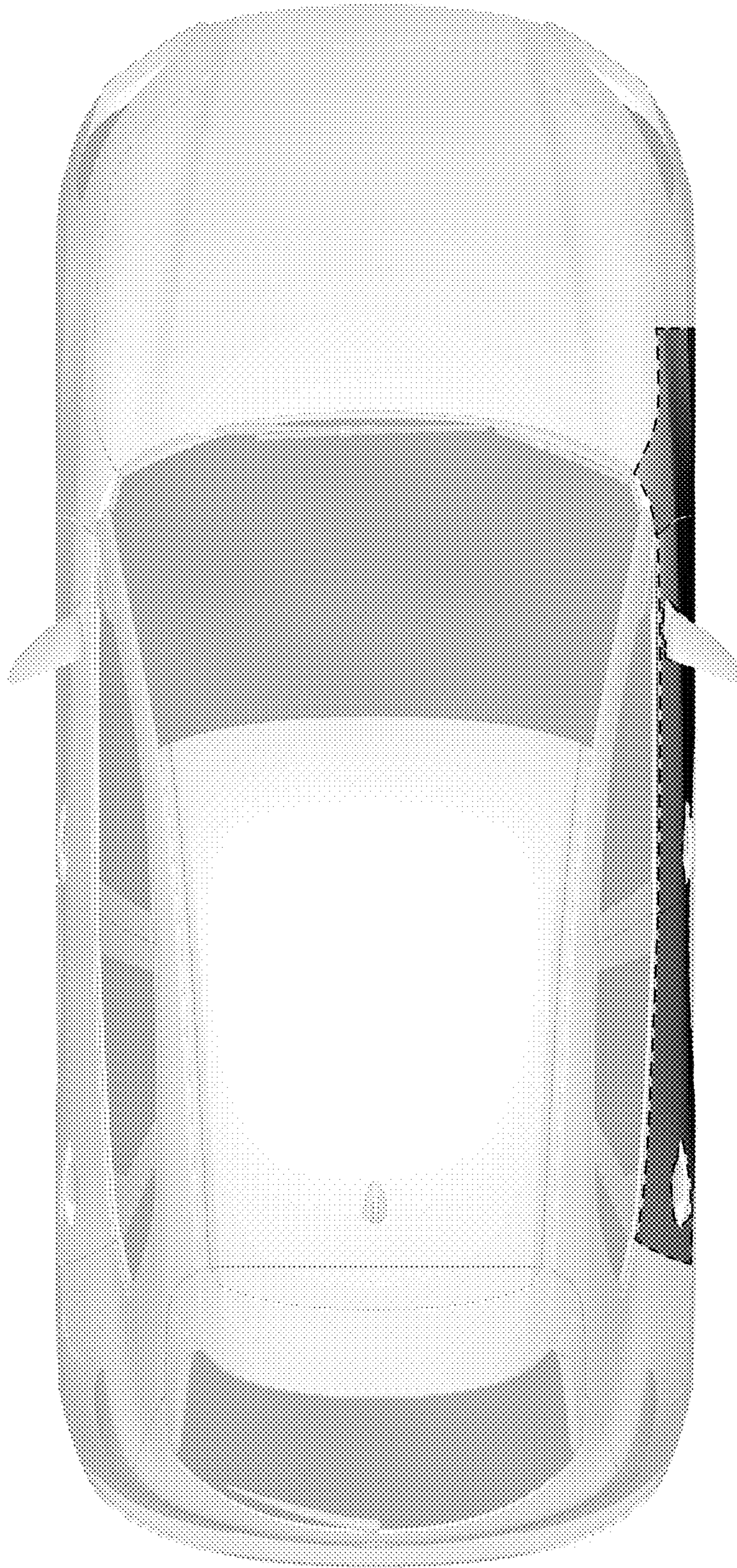


FIG.6



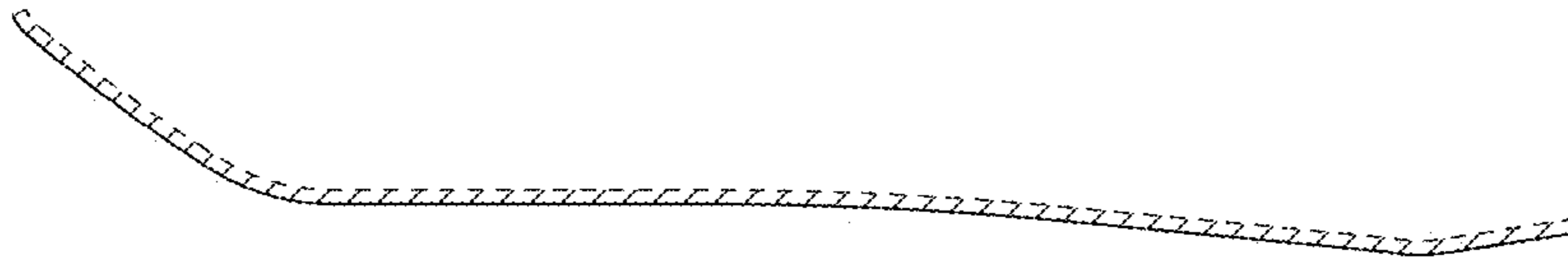


FIG. 8

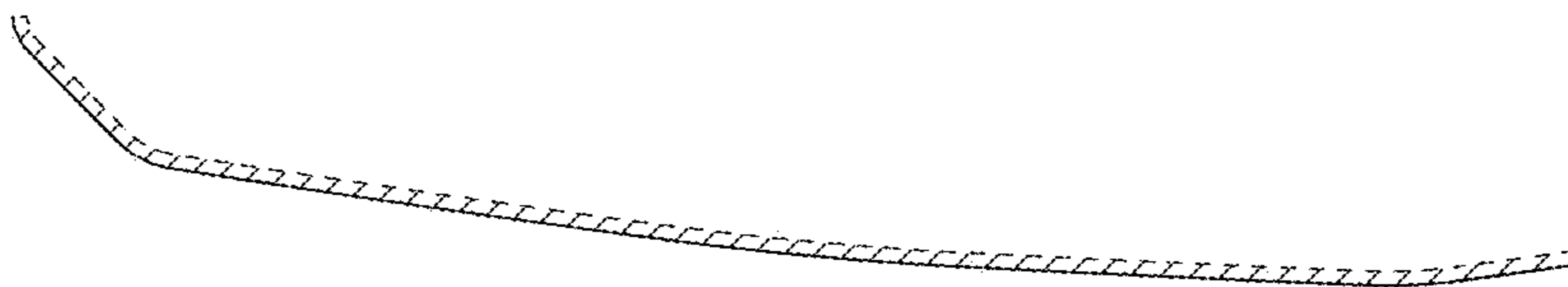


FIG. 7

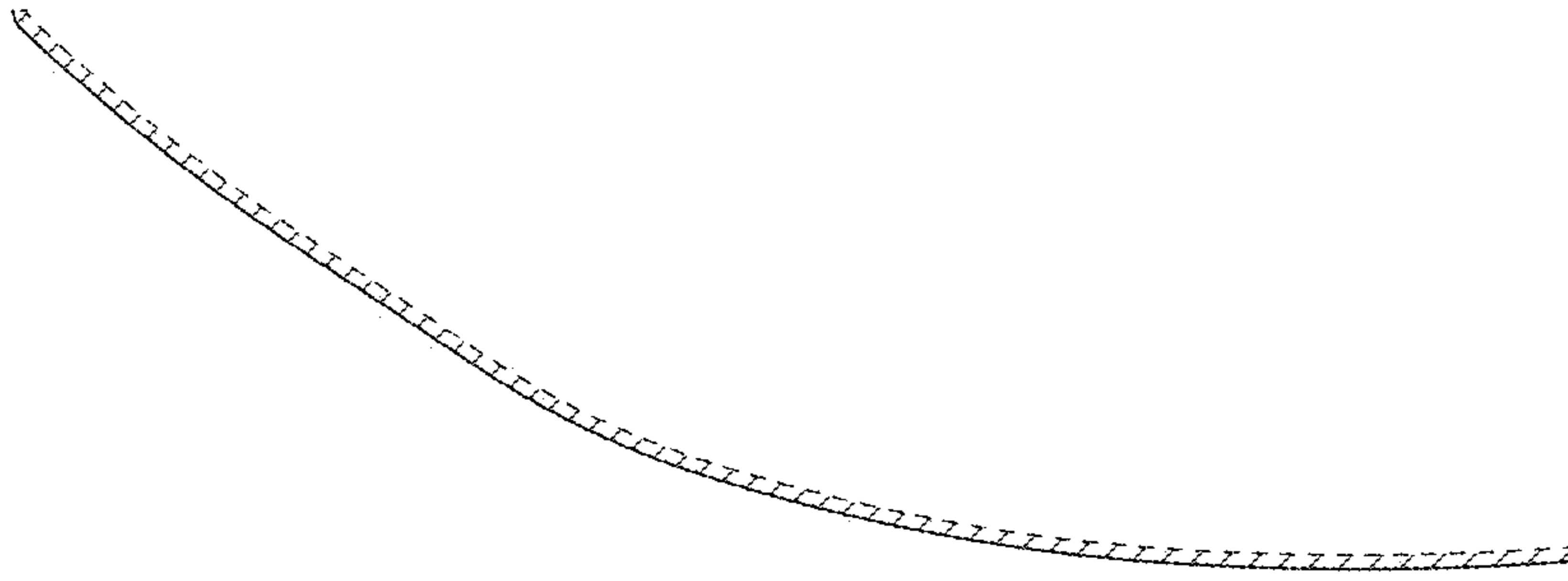


FIG. 9

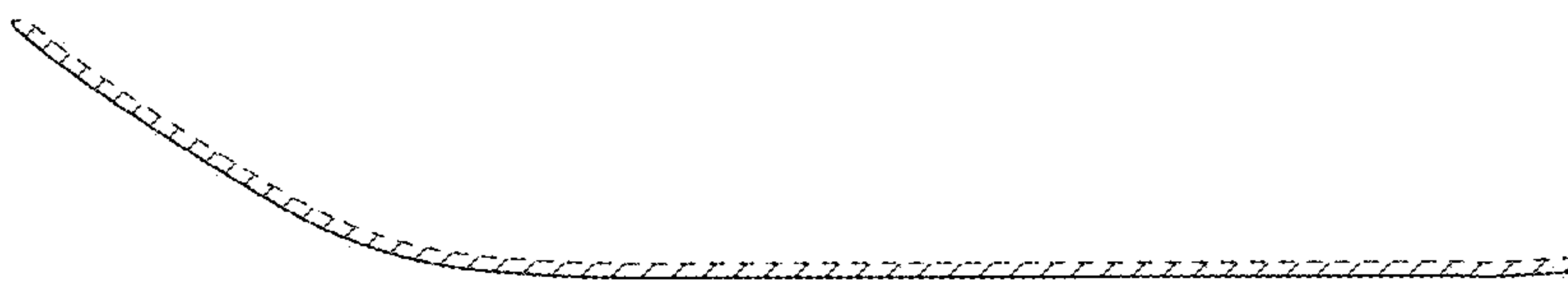


FIG. 10