



US00D922284S

(12) **United States Design Patent**  
**Feng et al.**

(10) **Patent No.:** **US D922,284 S**  
(45) **Date of Patent:** **\*\* Jun. 15, 2021**

- (54) **HOOD CORNER ACCENT PANEL**
- (71) Applicant: **PACCAR Inc**, Bellevue, WA (US)
- (72) Inventors: **Rogers Feng**, Issaquah, WA (US);  
**Elliott Black**, Kirkland, WA (US);  
**Jonathan S. Duncan**, Seattle, WA (US)
- (73) Assignee: **PACCAR INC**, Bellevue, WA (US)
- (\*\*) Term: **15 Years**
- (21) Appl. No.: **29/678,958**
- (22) Filed: **Jan. 31, 2019**
- (51) **LOC (13) Cl.** ..... **12-16**
- (52) **U.S. Cl.**  
USPC ..... **D12/196**
- (58) **Field of Classification Search**  
USPC ..... D12/12, 14, 93, 96, 164, 169, 170, 171,  
D12/172, 173, 181, 184, 185, 186, 190,  
D12/192, 196, 400, 1, 7, 82, 85, 87, 88,  
D12/90, 91, 92, 95, 97, 99, 107, 163,  
D12/167, 223; D21/533, 552, 561  
CPC ..... B62D 25/16; B62D 25/18; B62D 25/161;  
B62D 25/168; B62D 25/182; B62D  
25/163; B60R 19/00; B60R 19/02; B60R  
2019/026; B60Y 2200/141; B60Y  
2200/142; B60Y 2200/1422  
See application file for complete search history.

(56) **References Cited**

**U.S. PATENT DOCUMENTS**

|            |   |        |               |       |         |
|------------|---|--------|---------------|-------|---------|
| D157,334 S | * | 2/1950 | Bookman       | ..... | D12/190 |
| D159,810 S | * | 8/1950 | Hepner        | ..... | D12/190 |
| D302,257 S | * | 7/1989 | Breitschwerdt | ..... | D12/96  |
| D307,878 S | * | 5/1990 | Lechner       | ..... | D12/96  |
| D422,944 S | * | 4/2000 | Hellhake      | ..... | D12/96  |
| D423,437 S | * | 4/2000 | Saleen        | ..... | D12/167 |

(Continued)

*Primary Examiner* — Karen E Kearney  
*Assistant Examiner* — Adam C Mager  
(74) *Attorney, Agent, or Firm* — Seed IP Law Group LLP

(57) **CLAIM**

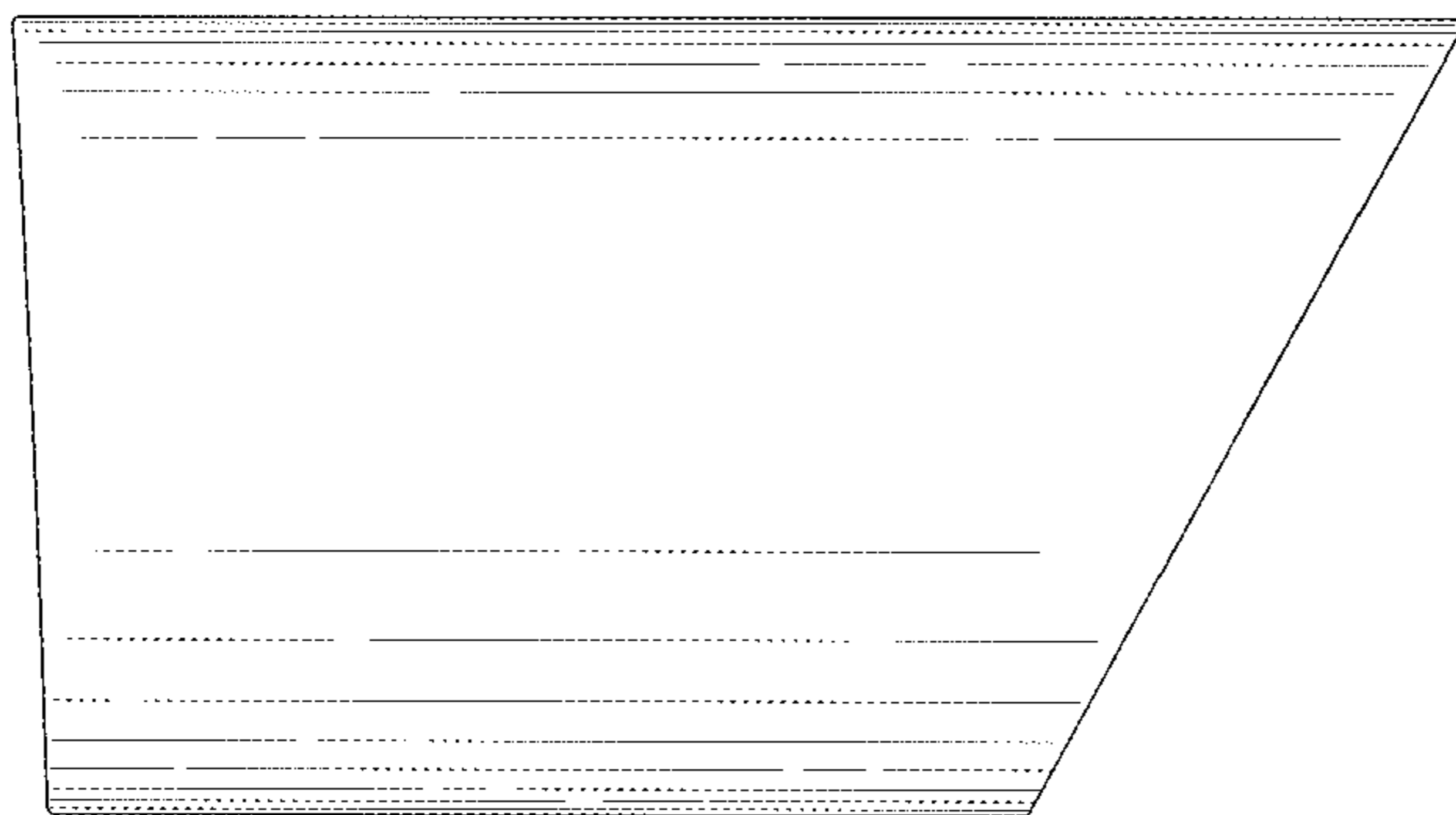
The ornamental design for a hood corner accent panel, as shown and described.

**DESCRIPTION**

FIG. 1 is an environmental view of a vehicle showing a hood corner accent panel according to an exemplary embodiment of our new design for use on a first side of the vehicle; FIG. 2 is a front perspective view of the hood corner accent panel shown in FIG. 1 without the environmental elements; FIG. 3 is a front view of the hood corner accent panel shown in FIG. 2; FIG. 4 is a top view of the hood corner accent panel shown in FIG. 2; FIG. 5 is a left side view of the hood corner accent panel shown in FIG. 2; FIG. 6 is a right side view of the hood corner accent panel shown in FIG. 2; FIG. 7 is an environmental view of a vehicle showing a hood corner accent panel according to an exemplary embodiment of our new design for use on a second side of the vehicle; FIG. 8 is a front perspective view of the hood corner accent panel shown in FIG. 7 without the environmental elements; FIG. 9 is a front view of the hood corner accent panel shown in FIG. 8; FIG. 10 is a top view of the hood corner accent panel shown in FIG. 8; FIG. 11 is a right side view of the hood corner accent panel shown in FIG. 8; and, FIG. 12 is a left side view of the hood corner accent panel shown in FIG. 8.

The broken lines shown in the figures represent environment that form no part of the claimed design.

**1 Claim, 8 Drawing Sheets**



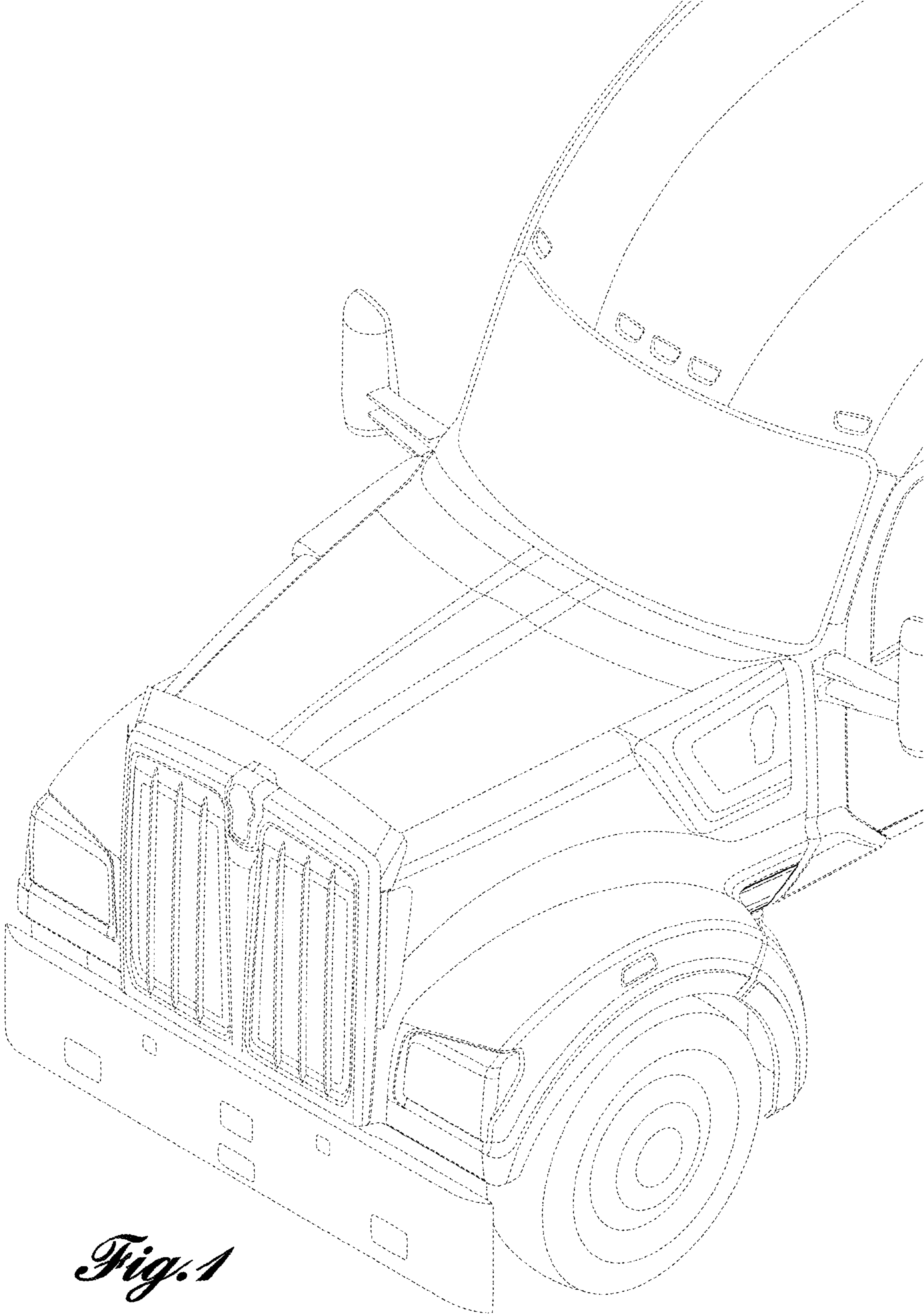
(56)

**References Cited**

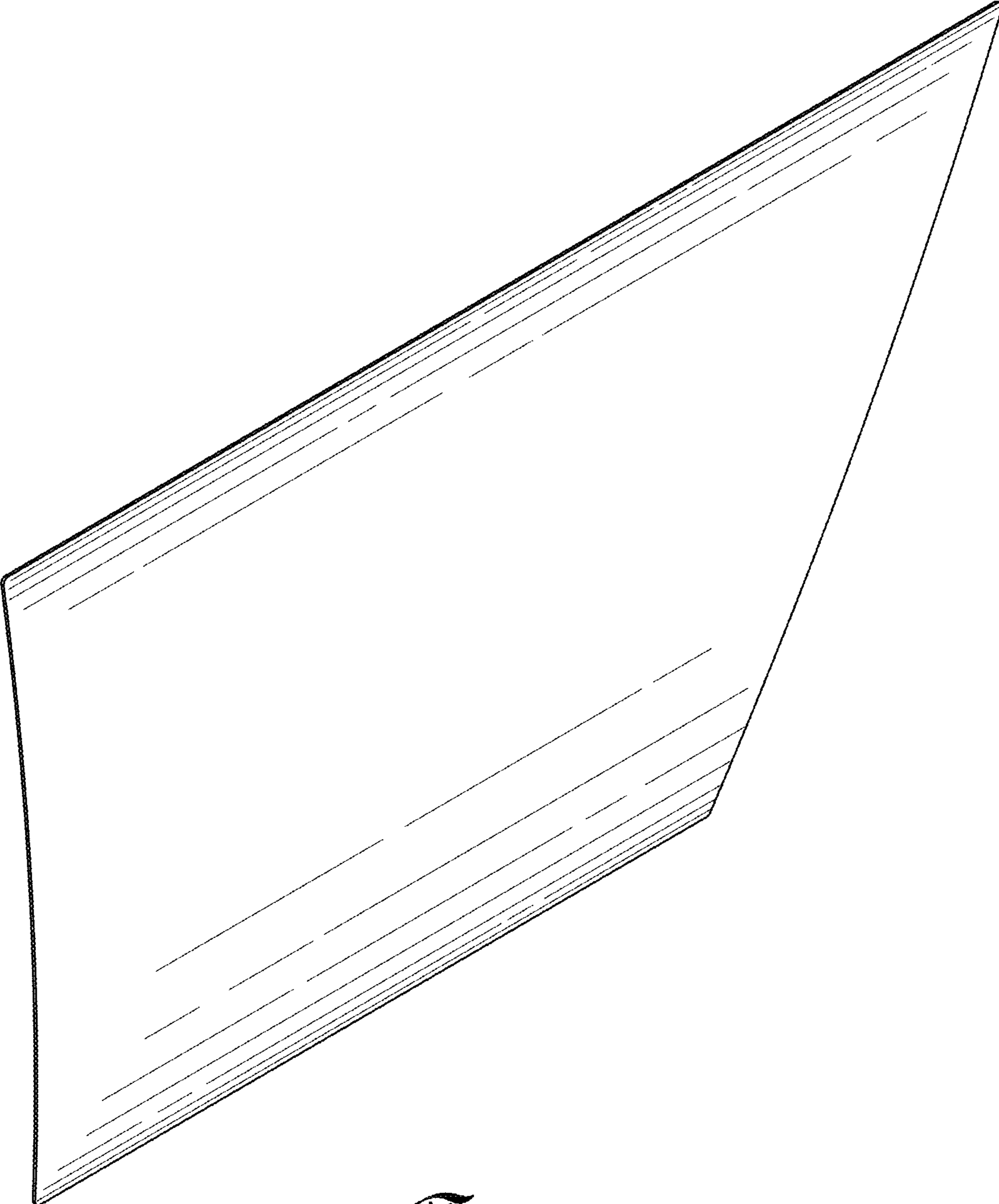
U.S. PATENT DOCUMENTS

|              |         |                |         |
|--------------|---------|----------------|---------|
| D425,826 S * | 5/2000  | Hellhake ..... | D12/96  |
| D482,993 S * | 12/2003 | Conway .....   | D12/184 |
| D495,643 S * | 9/2004  | Perfetti ..... | D12/196 |
| D726,095 S * | 4/2015  | Simecek .....  | D12/400 |
| D817,241 S * | 5/2018  | Warden .....   | D12/196 |
| D890,664 S * | 7/2020  | Feng .....     | D12/196 |

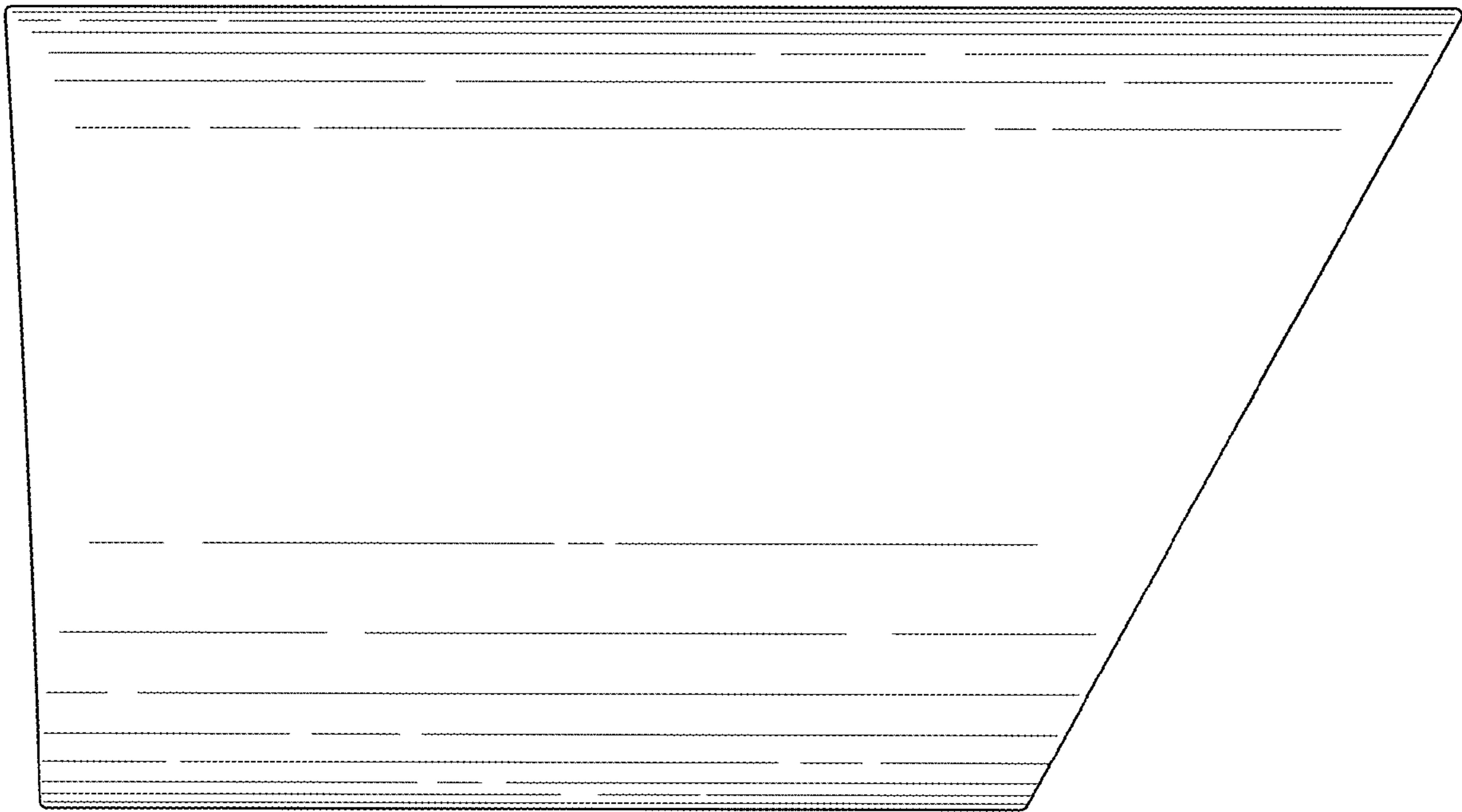
\* cited by examiner



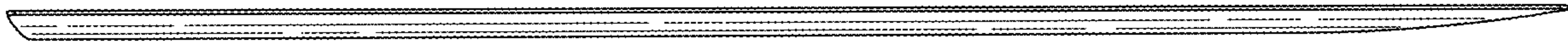
*Fig. 1*



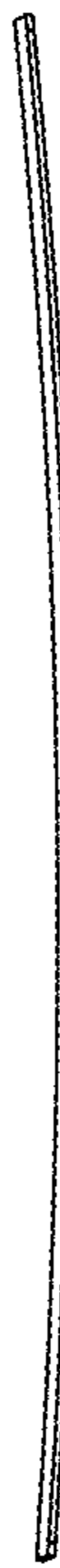
*Fig. 2*



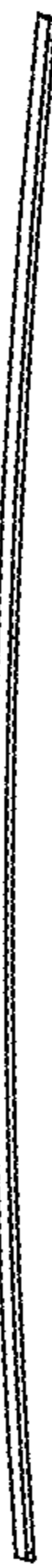
*Fig. 3*



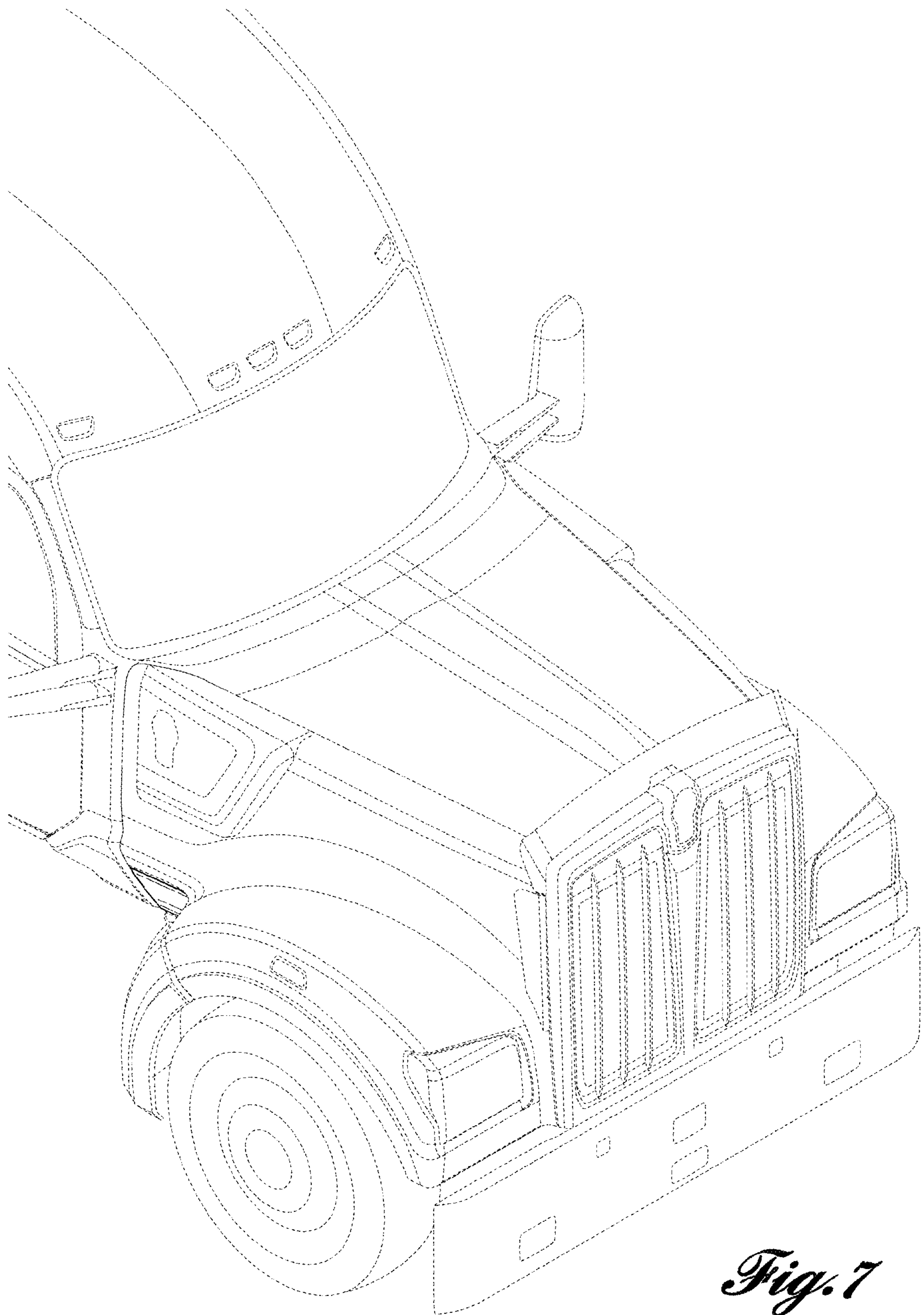
*Fig. 4*



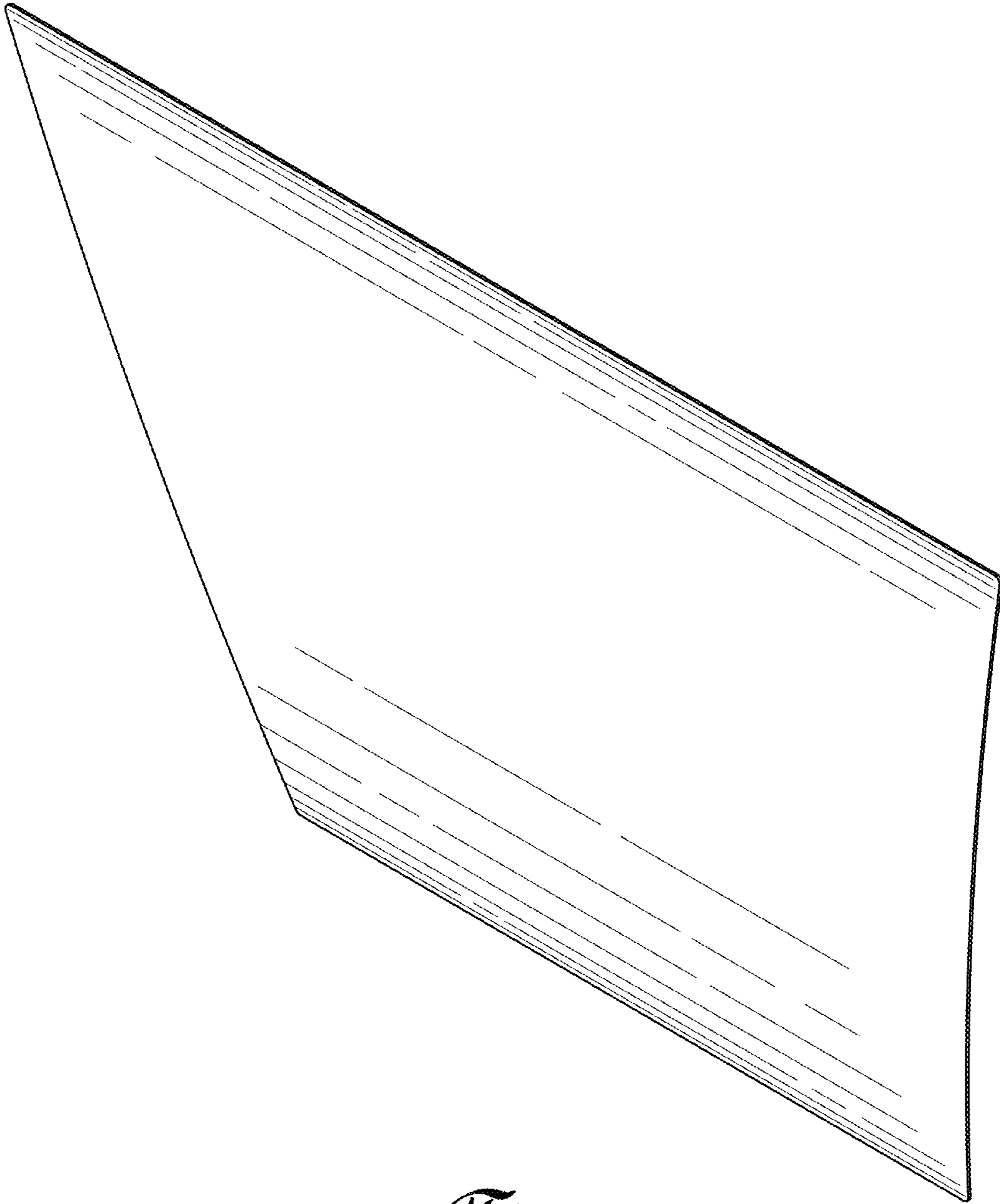
*Fig. 5*



*Fig. 6*

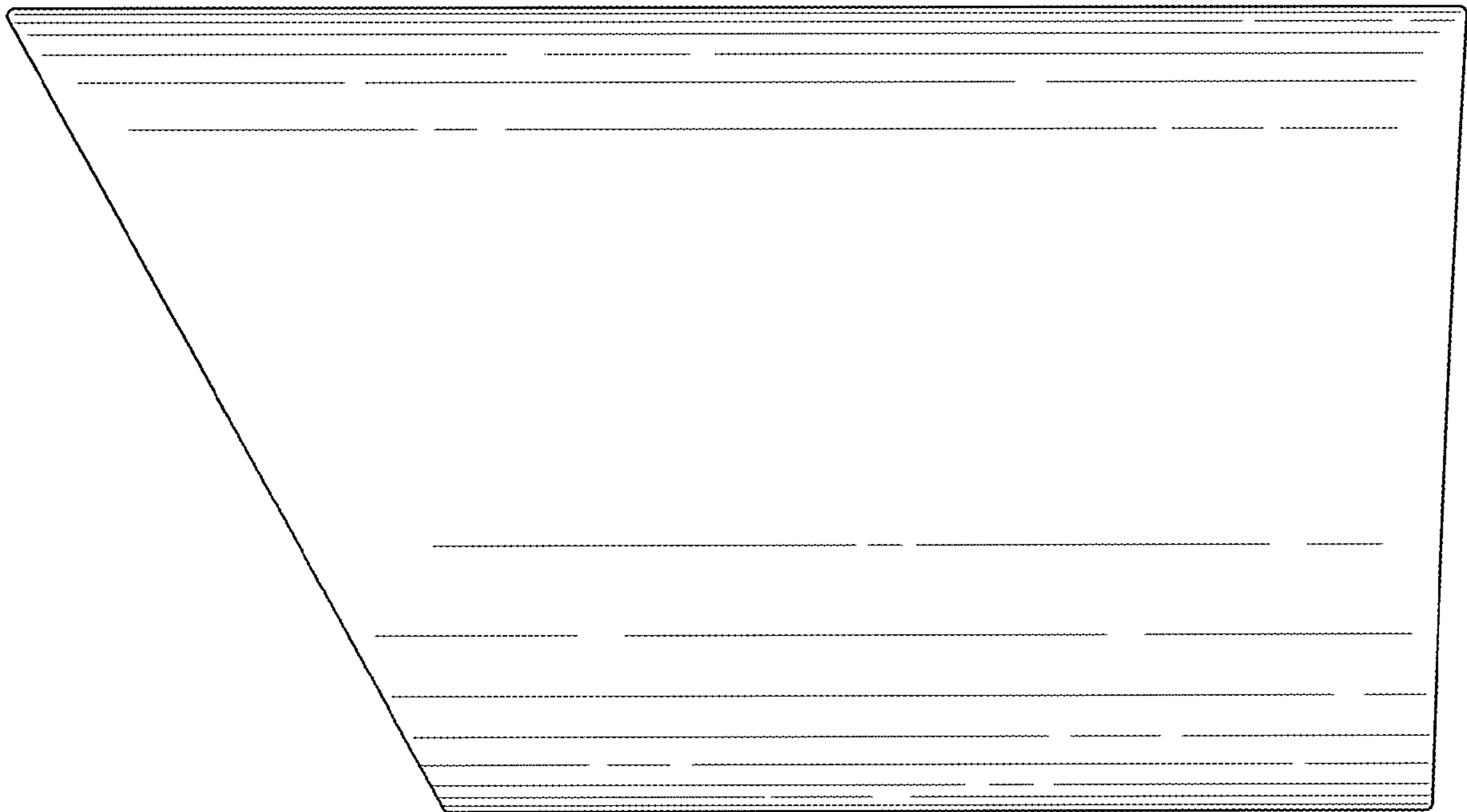


*Fig. 7*

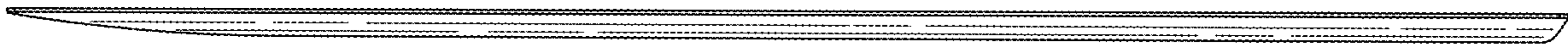


*Fig. 8*





*Fig. 9*



*Fig. 10*



*Fig. 11*



*Fig. 12*