



US00D922282S

(12) **United States Design Patent**
Catuzza

(10) **Patent No.:** **US D922,282 S**

(45) **Date of Patent:** **** Jun. 15, 2021**

(54) **VEHICLE SIDE-WINDOW SUN SHIELD**

D879,689 S * 3/2020 Holt D12/183
D886,696 S * 6/2020 Holt D12/183
D904,949 S * 12/2020 Rago D12/183

(71) Applicant: **Scott Catuzza**, Tonawanda, NY (US)

* cited by examiner

(72) Inventor: **Scott Catuzza**, Tonawanda, NY (US)

Primary Examiner — Katrina A Betton

(**) Term: **15 Years**

(74) *Attorney, Agent, or Firm* — Vincent G. LoTempio

(21) Appl. No.: **29/728,944**

(22) Filed: **Mar. 23, 2020**

(57) **CLAIM**

(51) **LOC (13) Cl.** **12-16**

The ornamental design for a vehicle side-window sun shield,
as shown and described.

(52) **U.S. Cl.**

USPC **D12/183**

(58) **Field of Classification Search**

USPC D12/183, 190, 191

CPC B60J 3/02; B60J 3/0208; B60J 1/20; B60J

1/2005; B60J 1/2002; B60J 3/0204

See application file for complete search history.

DESCRIPTION

FIG. 1 is a perspective view of the vehicle side-window sun shield showing my new design;

FIG. 2 is a back view thereof;

FIG. 3 is a front view thereof;

FIG. 4 is a right side view thereof;

FIG. 5 is a left side view thereof;

FIG. 6 is a top side view thereof;

FIG. 7 is a bottom side view thereof; and,

FIG. 8 is a side perspective view thereof.

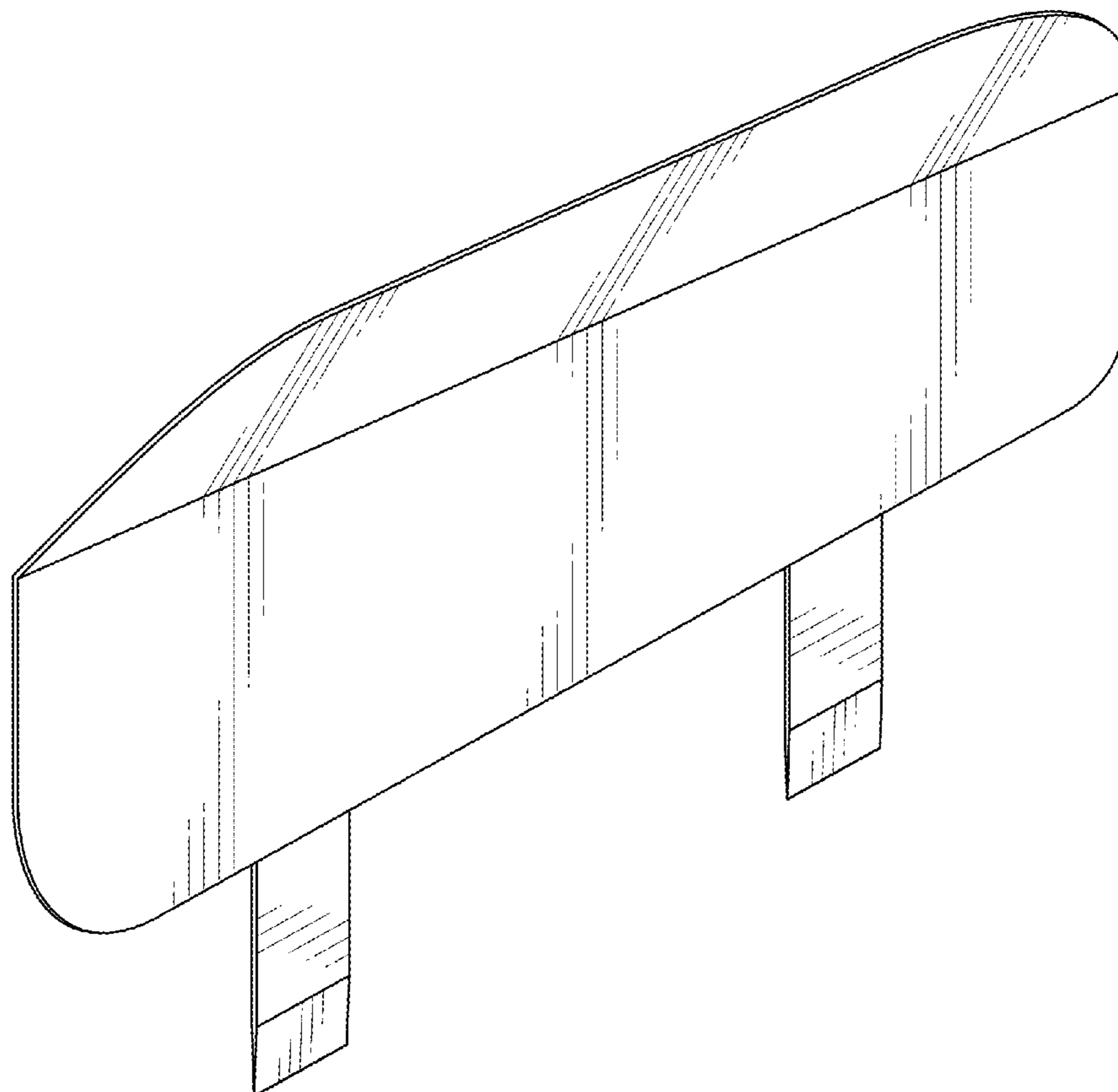
The broken lines shown throughout the figures represent environment elements that are for illustrative purposes only and form no part of the claimed design.

(56) **References Cited**

U.S. PATENT DOCUMENTS

D756,868 S *	5/2016	Shu	D12/183
D776,028 S *	1/2017	Martinez	D12/183
D778,794 S *	2/2017	Bouie	D12/183
D792,821 S *	7/2017	Greger	D12/183
D797,622 S *	9/2017	Taylor	D12/183
D801,244 S *	10/2017	Shu	D12/183
D813,767 S *	3/2018	Mulokandov	D12/183
D828,253 S *	9/2018	Mao	D12/183
D852,098 S *	6/2019	Hu	D12/183

1 Claim, 6 Drawing Sheets



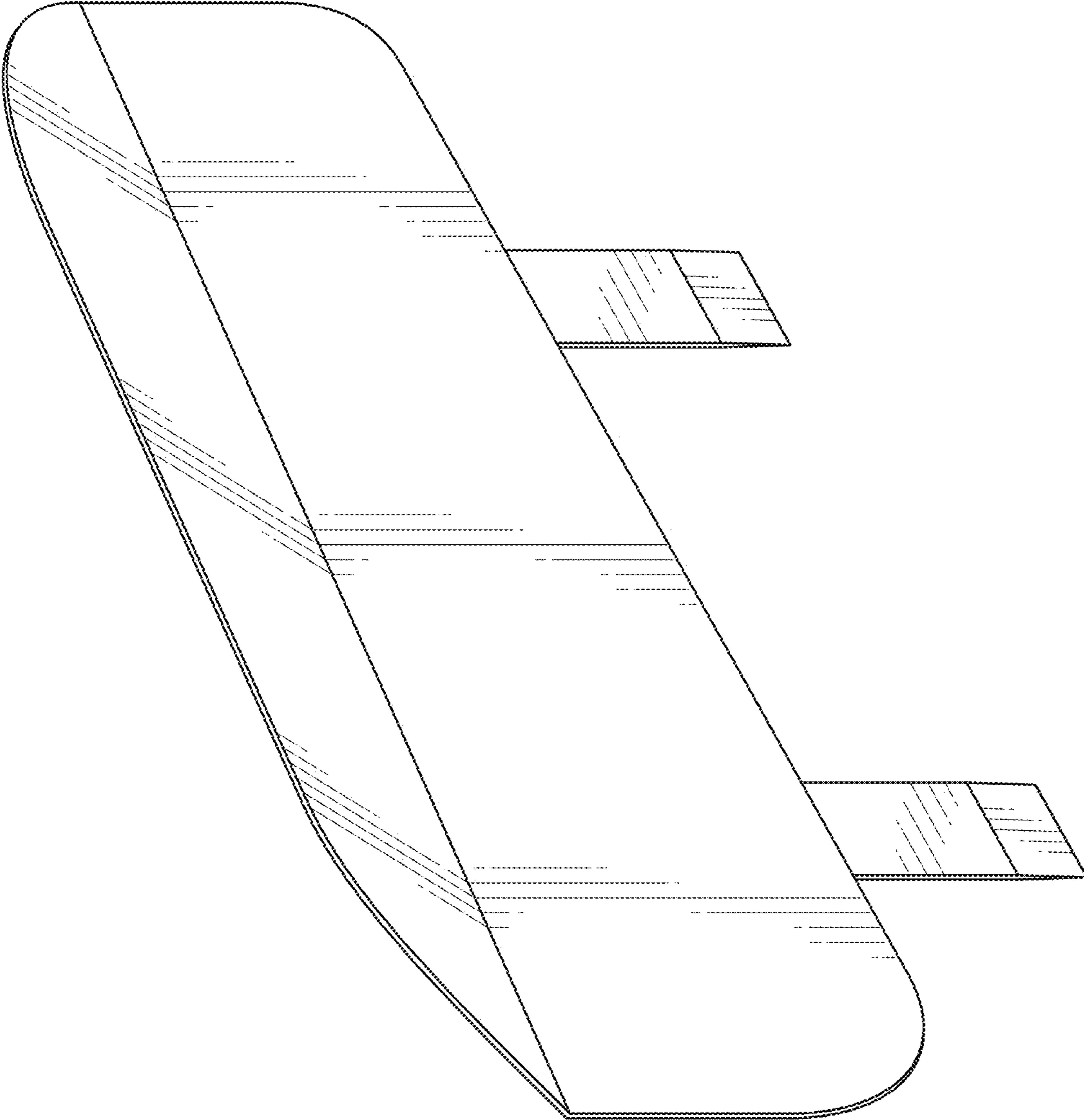


FIG. 1

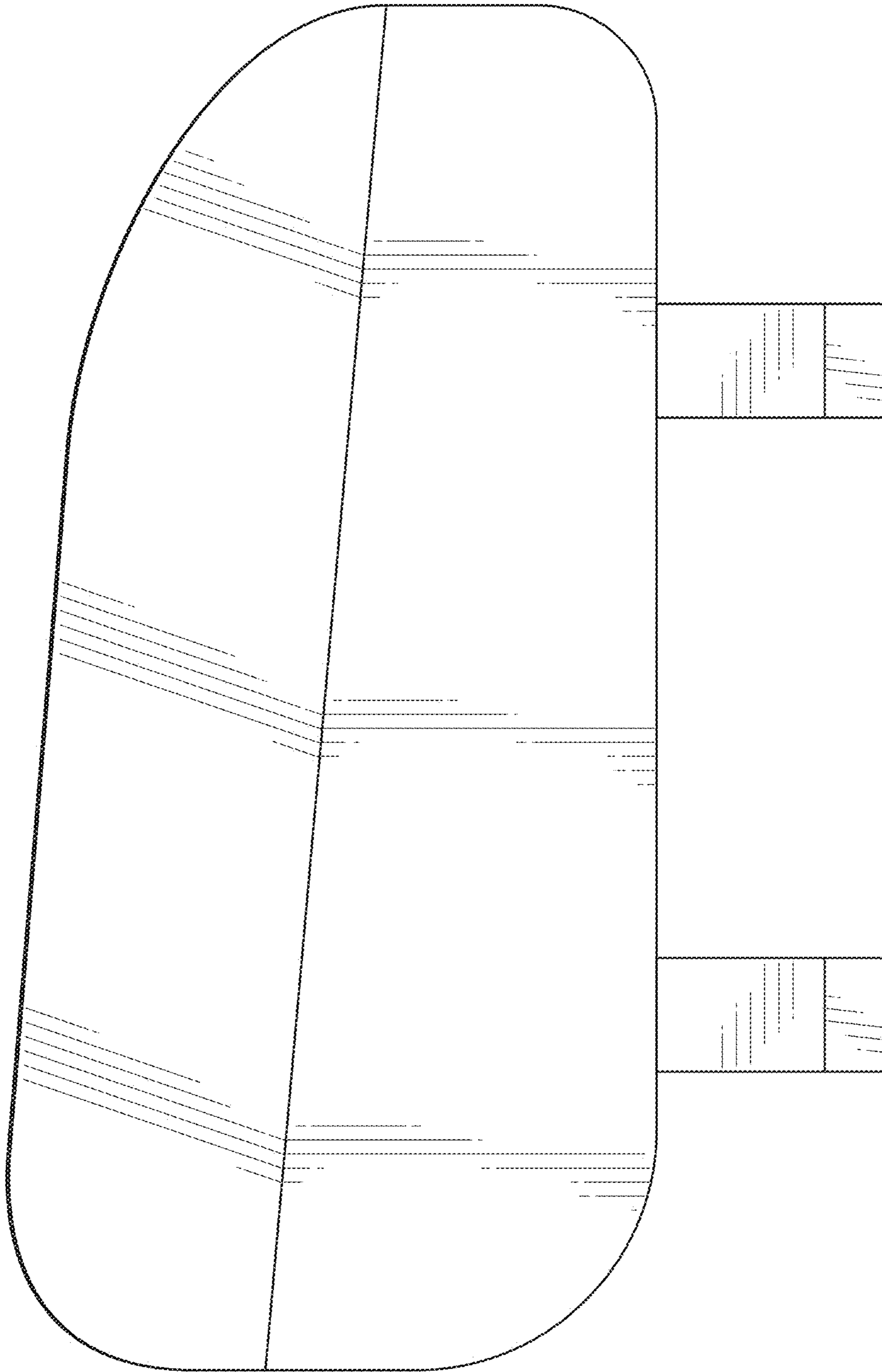


FIG. 2

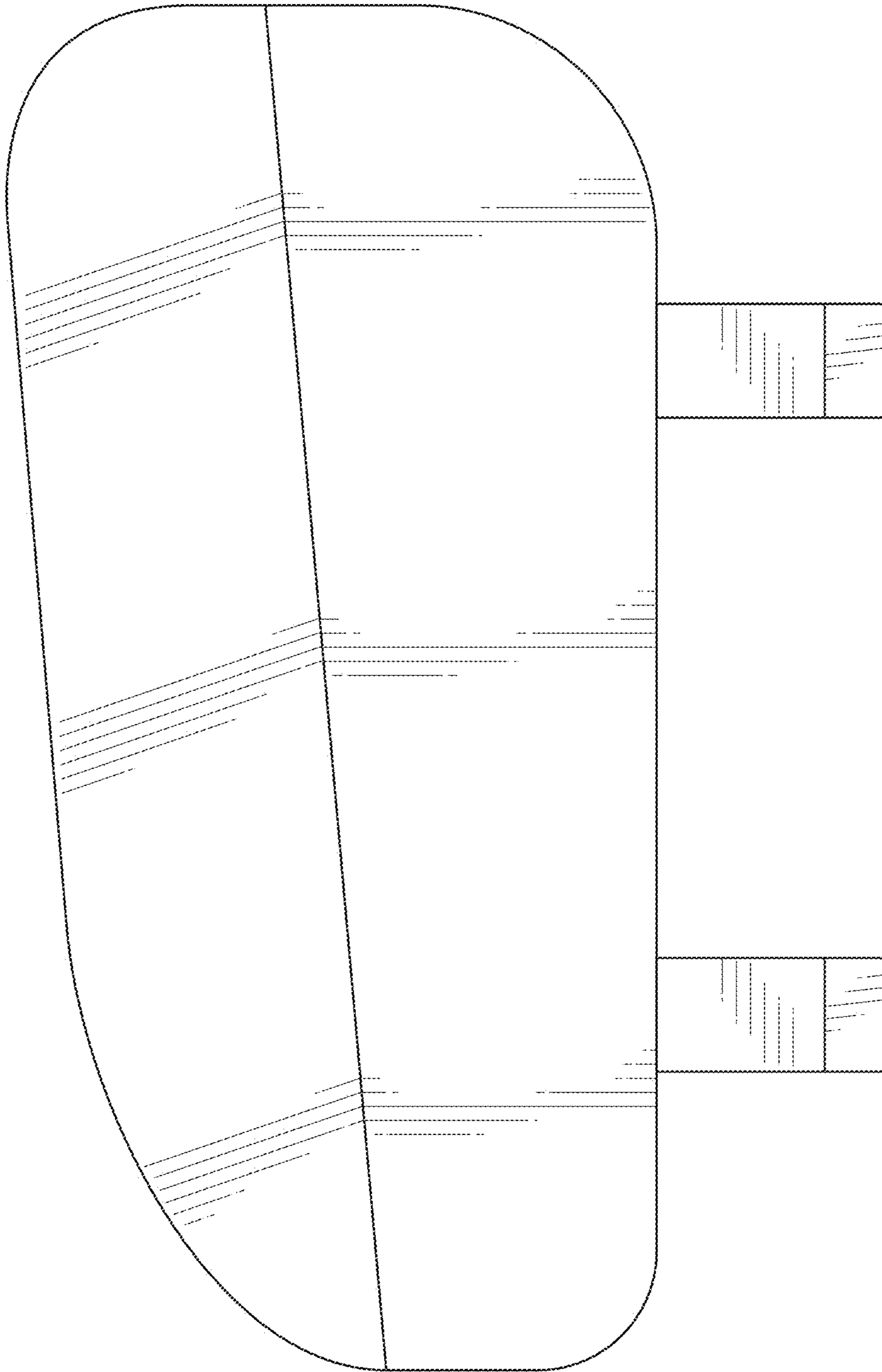


FIG. 3



FIG. 5

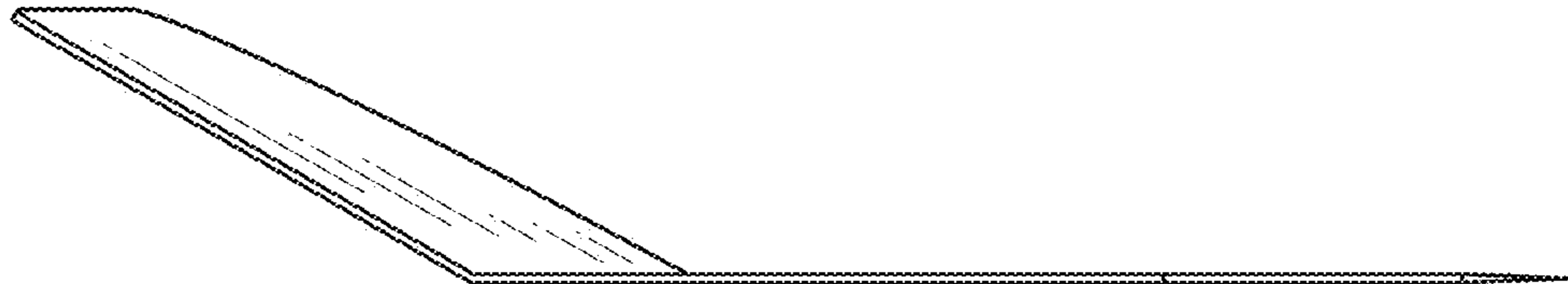


FIG. 4

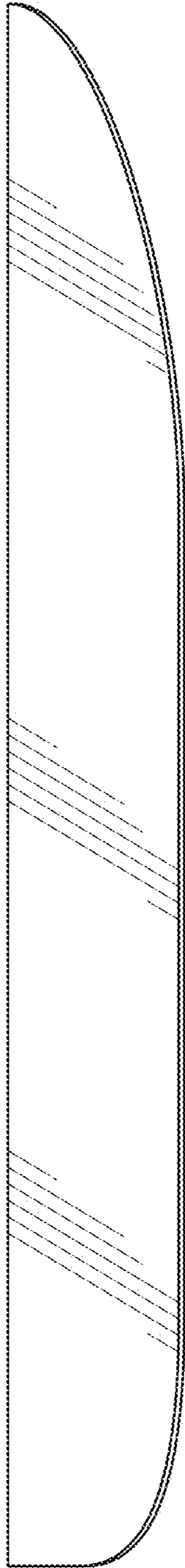


FIG. 6

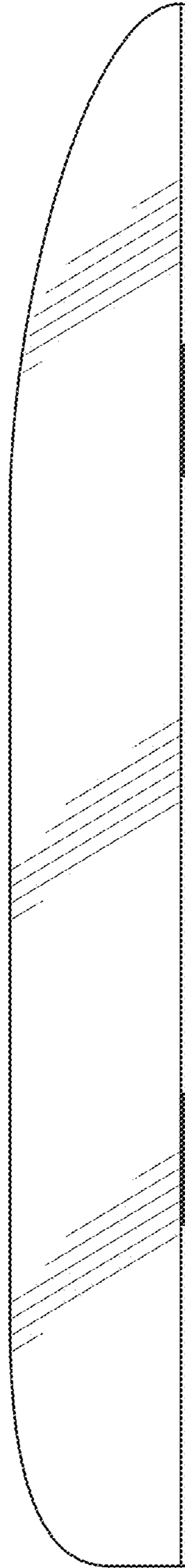


FIG. 7

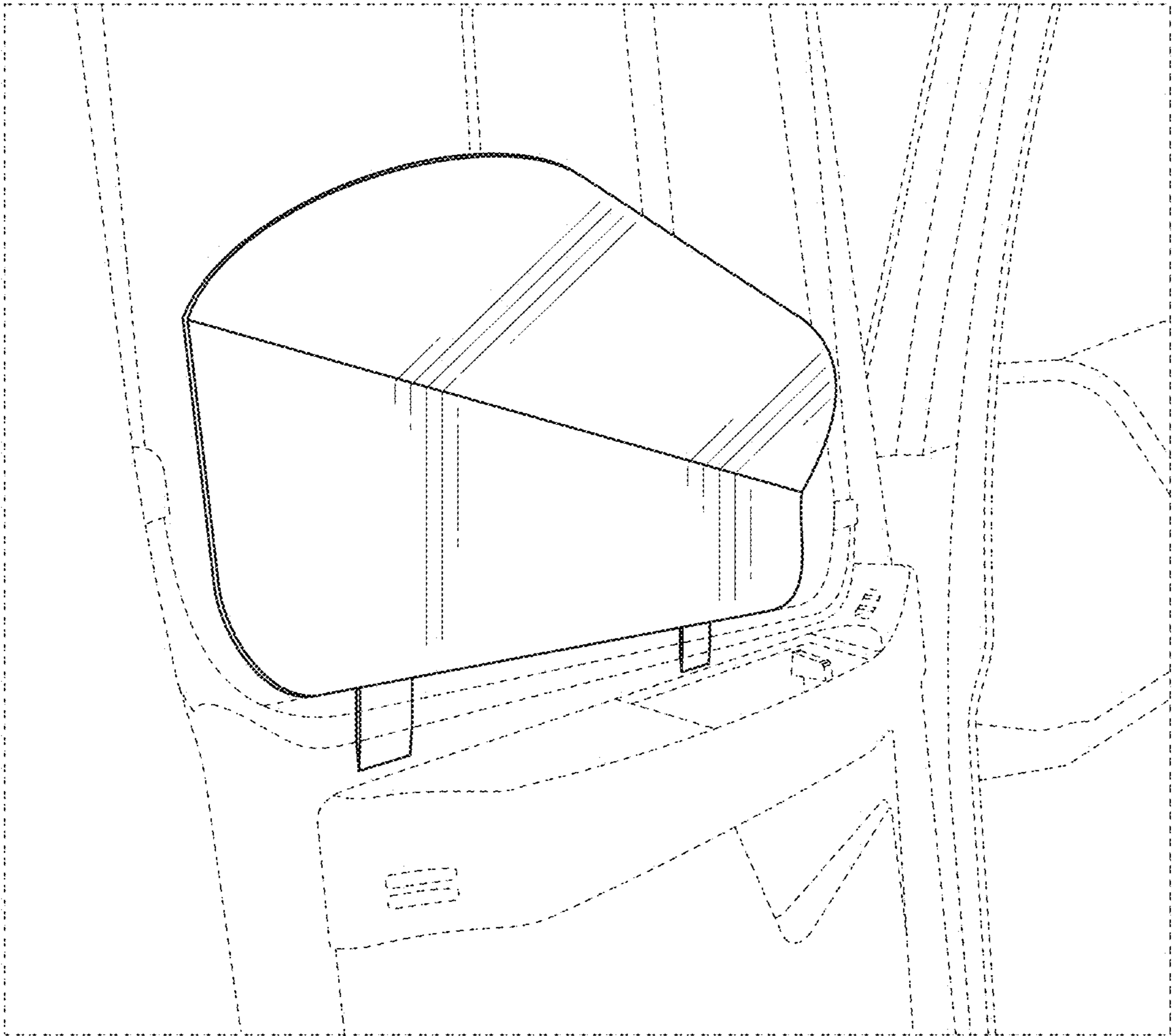


FIG. 8