



US00D922281S

(12) **United States Design Patent**  
**Chen**

(10) **Patent No.:** **US D922,281 S**  
(45) **Date of Patent:** **\*\* Jun. 15, 2021**

- (54) **WINDSHIELD**
- (71) Applicant: **Huaneng Chen**, Trivolzio (IT)
- (72) Inventor: **Huaneng Chen**, Trivolzio (IT)
- (73) Assignee: **MOTO MOTINI S.R.L.**, Trivolzio (IT)
- (\*\*) Term: **15 Years**
- (21) Appl. No.: **29/718,523**
- (22) Filed: **Dec. 26, 2019**
- (51) **LOC (13) Cl.** ..... **12-16**
- (52) **U.S. Cl.**  
USPC ..... **D12/182**
- (58) **Field of Classification Search**  
USPC ..... D12/182, 183, 317  
CPC ..... B32B 3/00  
See application file for complete search history.

6,176,538 B1 *	1/2001	Lawson	.....	B62J 17/04	296/78.1
7,134,705 B2 *	11/2006	Larson	.....	B62J 17/04	296/78.1
D538,213 S *	3/2007	Fukuyama	.....	D12/182	
D633,017 S *	2/2011	Klock	.....	D12/182	
8,720,967 B2 *	5/2014	Willey	.....	B60J 1/025	296/78.1
D744,394 S *	12/2015	Anaya	.....	D12/182	
D784,878 S *	4/2017	Thomson	.....	D12/182	
D796,401 S *	9/2017	Akita	.....	D12/186	
D827,505 S *	9/2018	Tsukui	.....	D12/126	
D829,134 S *	9/2018	Katagiri	.....	D12/126	

\* cited by examiner

*Primary Examiner* — Katrina A Betton

(57) **CLAIM**

The ornamental design for a windshield, shown and described.

**DESCRIPTION**

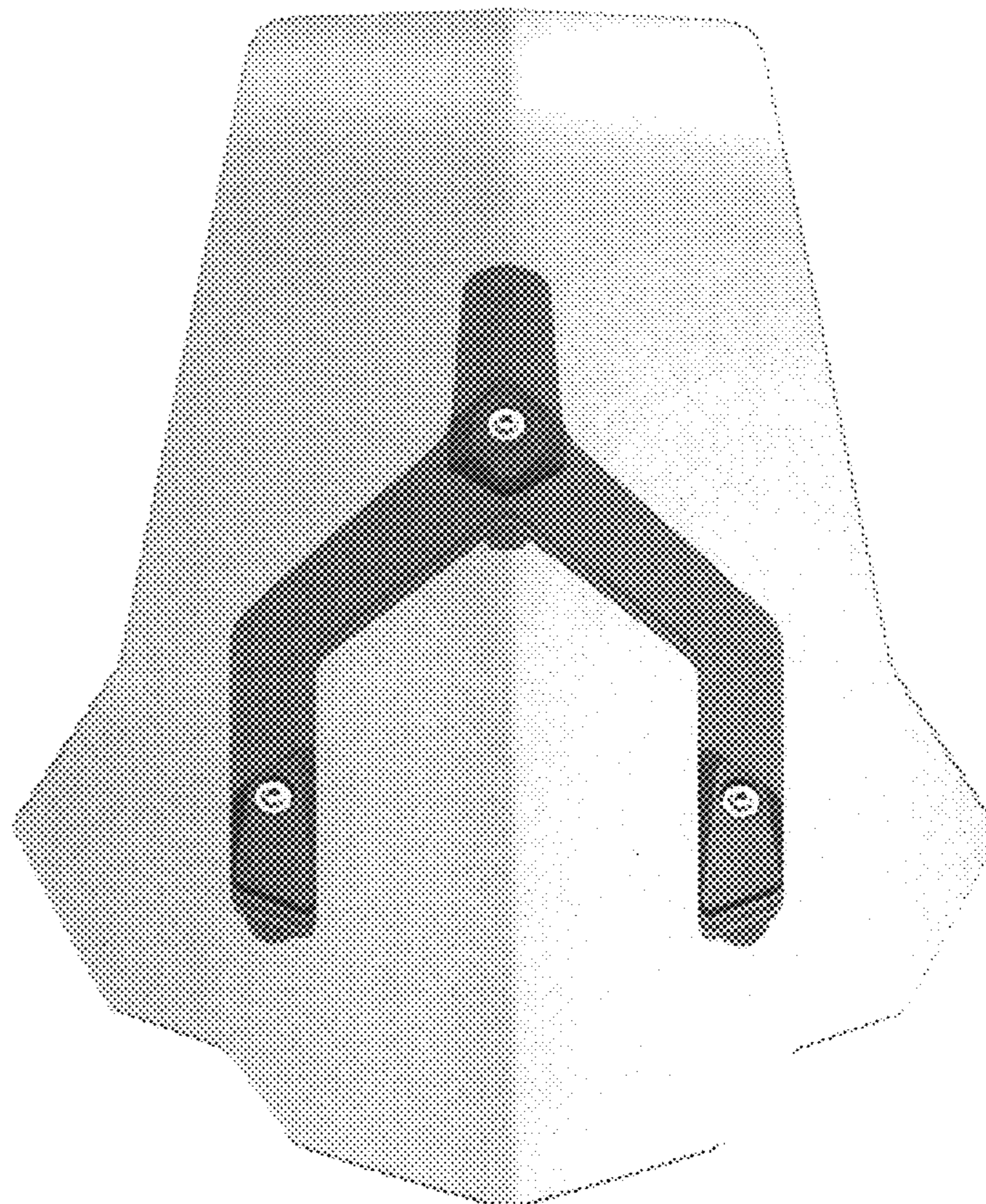
FIG. 1 is a perspective view of a windshield showing my new design;  
 FIG. 2 is a front elevational view thereof;  
 FIG. 3 is a rear elevational view thereof;  
 FIG. 4 is a left side elevational view thereof;  
 FIG. 5 is a right side elevational view thereof;  
 FIG. 6 is a top plan view thereof; and,  
 FIG. 7 is a bottom plan view thereof.

**1 Claim, 7 Drawing Sheets**

(56) **References Cited**

U.S. PATENT DOCUMENTS

4,082,345 A *	4/1978	Willey	.....	B62J 17/04	296/78.1
4,379,584 A *	4/1983	Willey	.....	B62K 19/48	296/78.1
5,845,955 A *	12/1998	Willey	.....	B62J 17/04	296/78.1



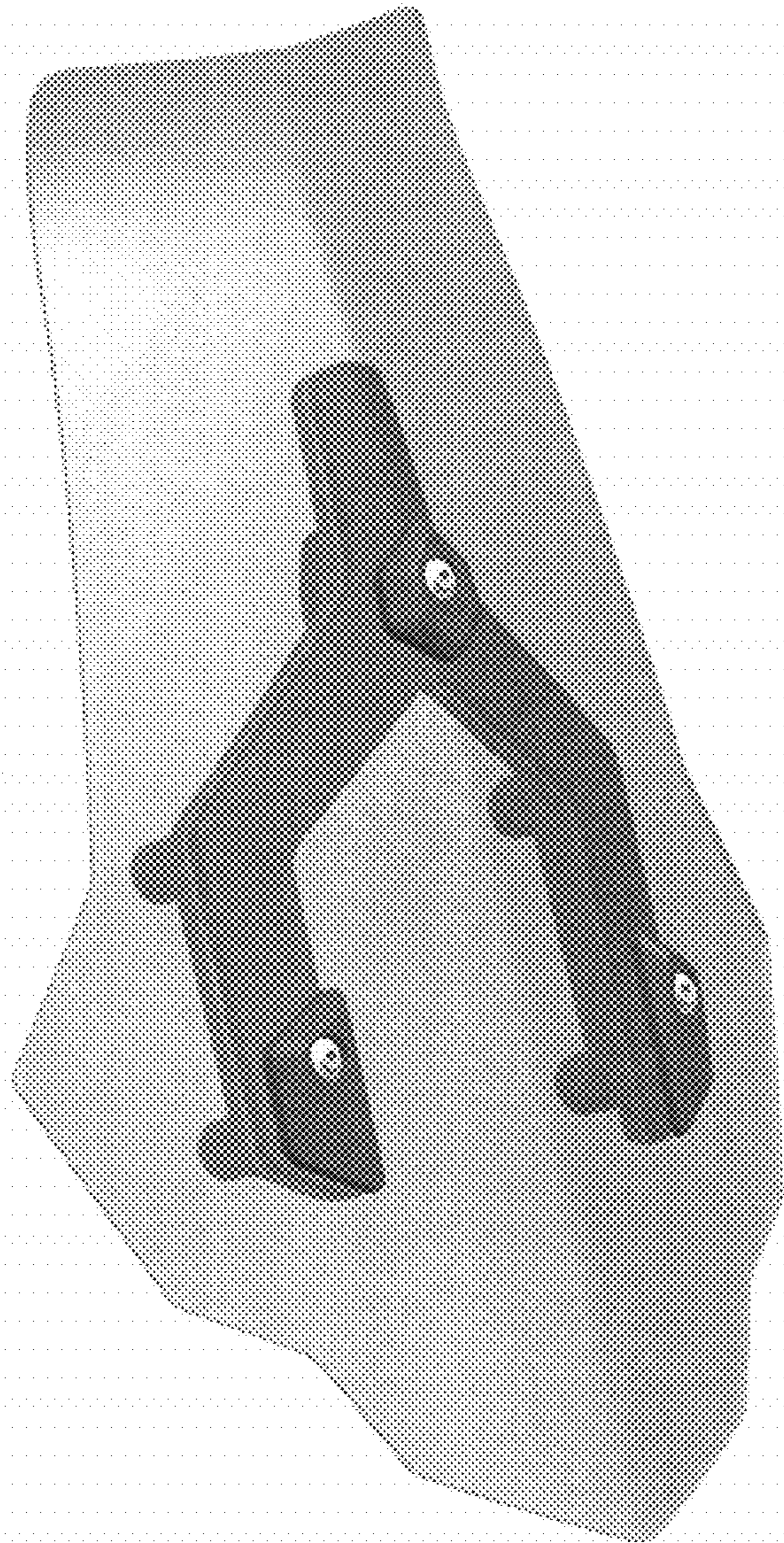


FIG. 1

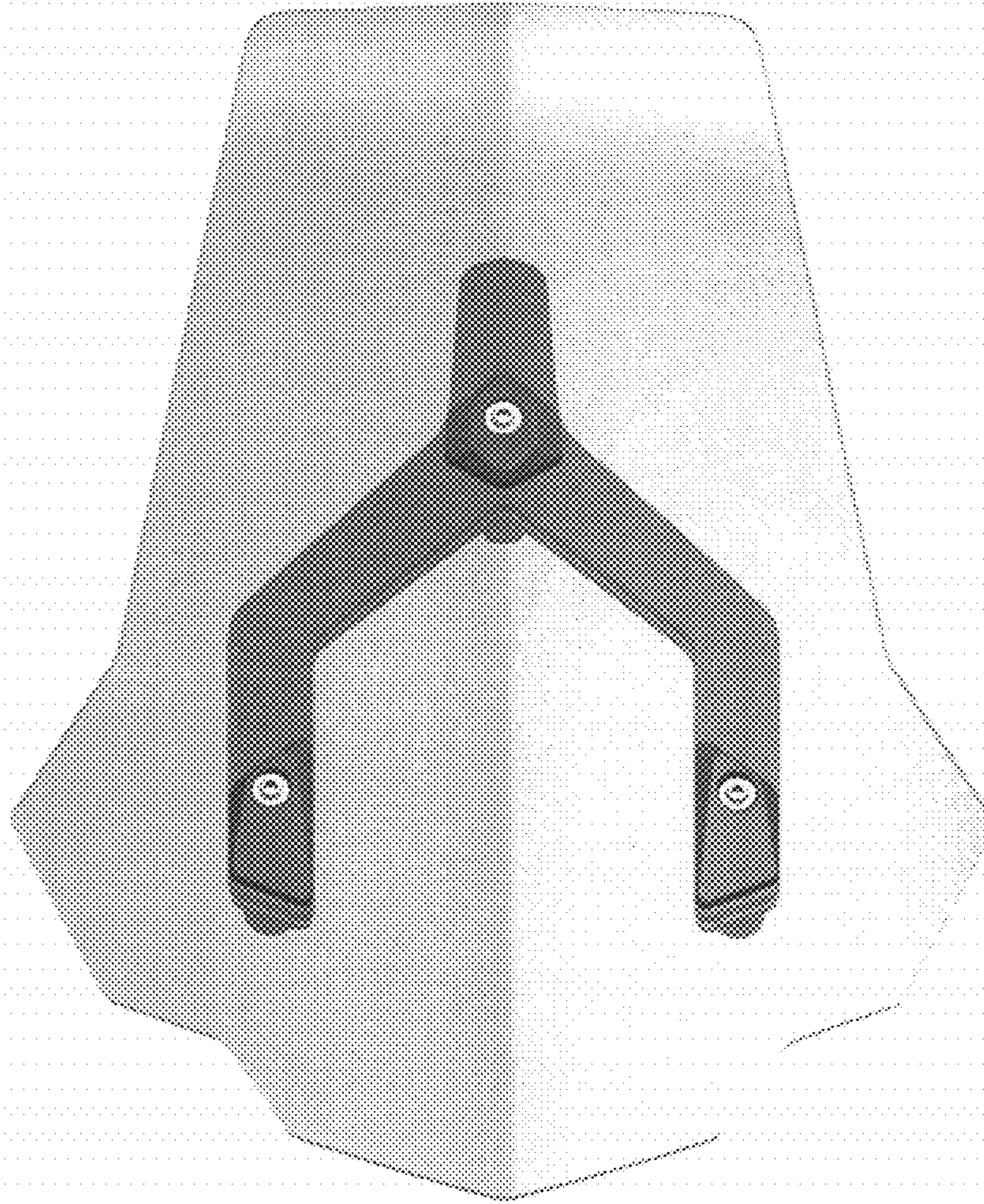


FIG. 2

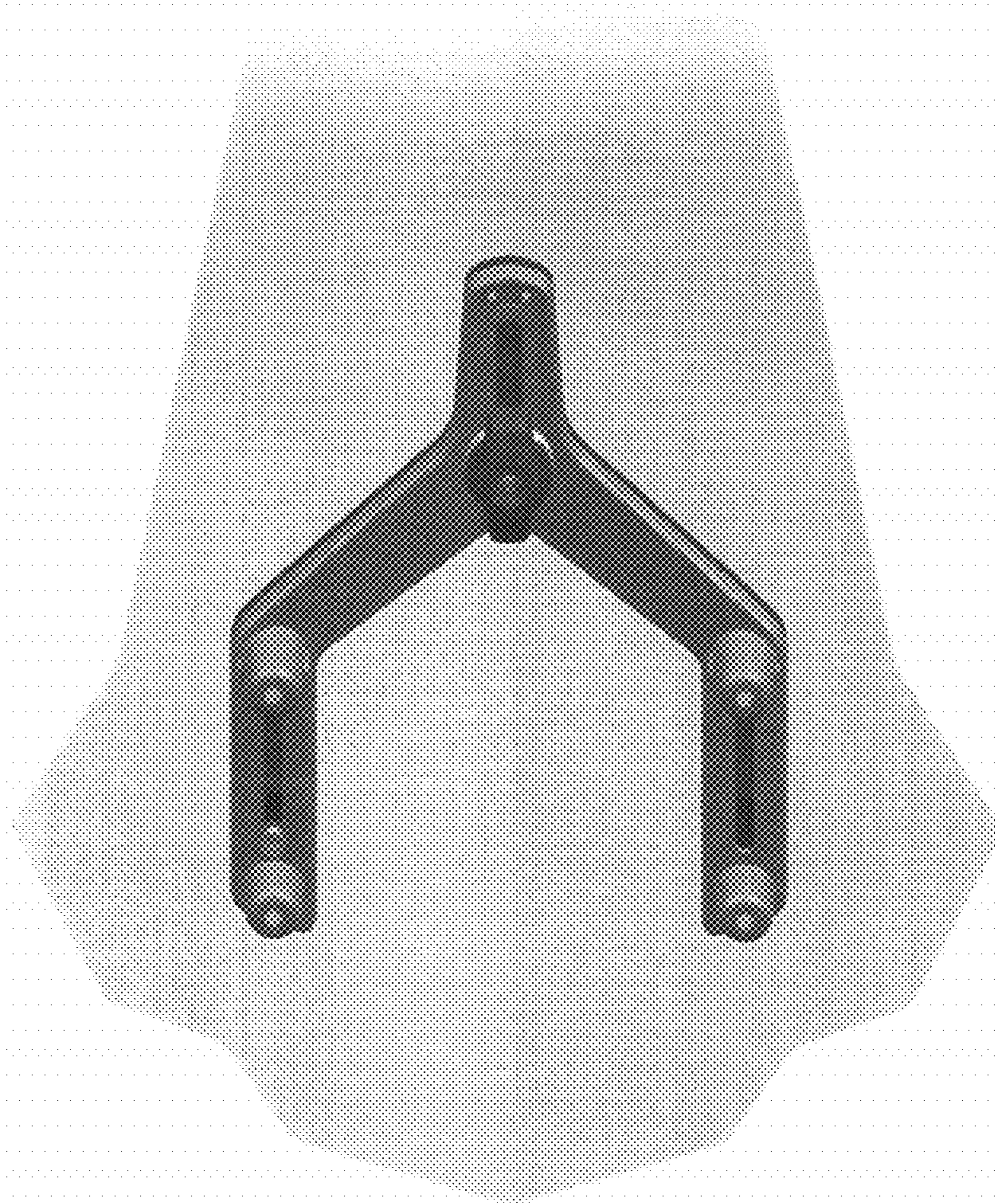


FIG. 3

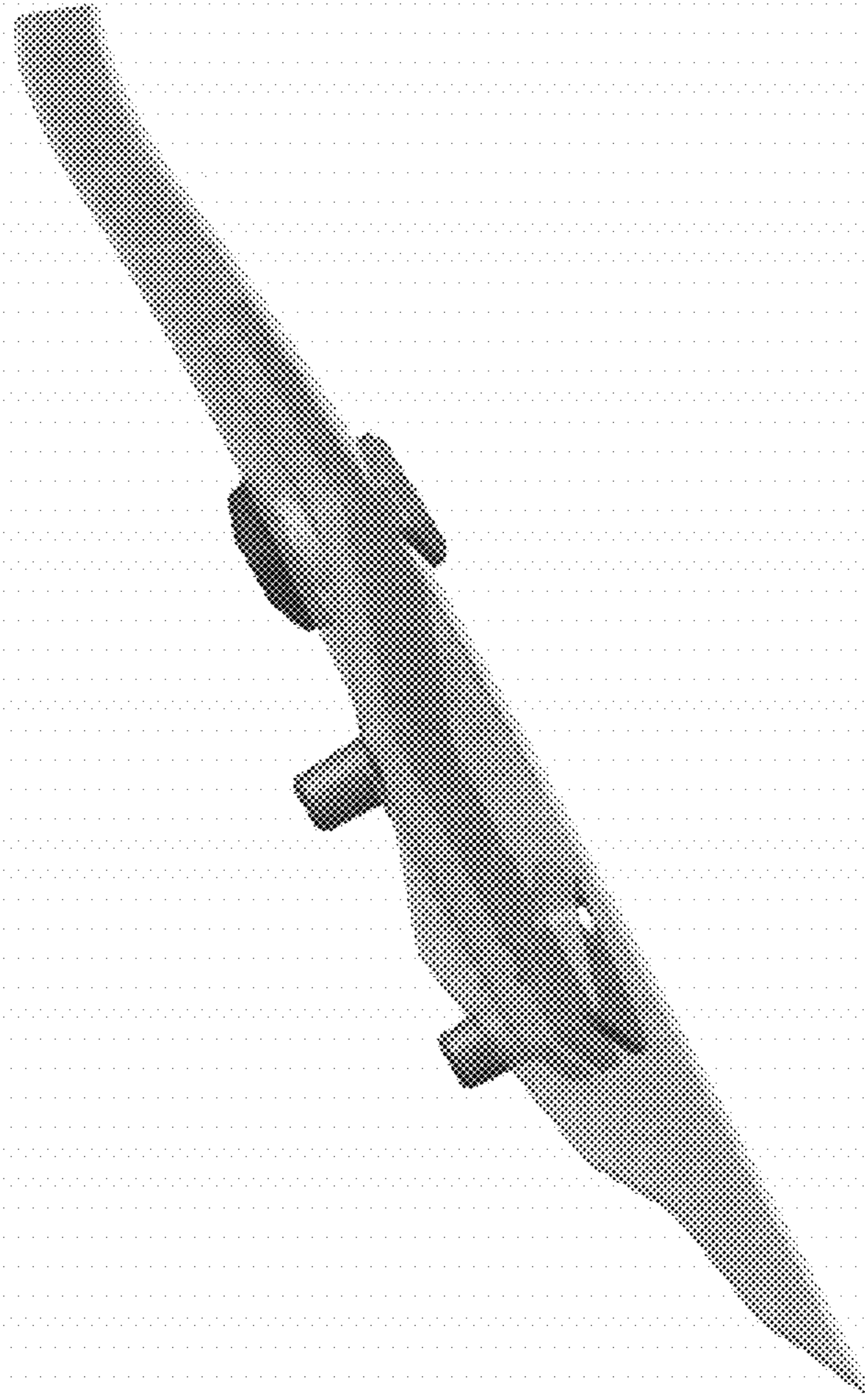


FIG. 4

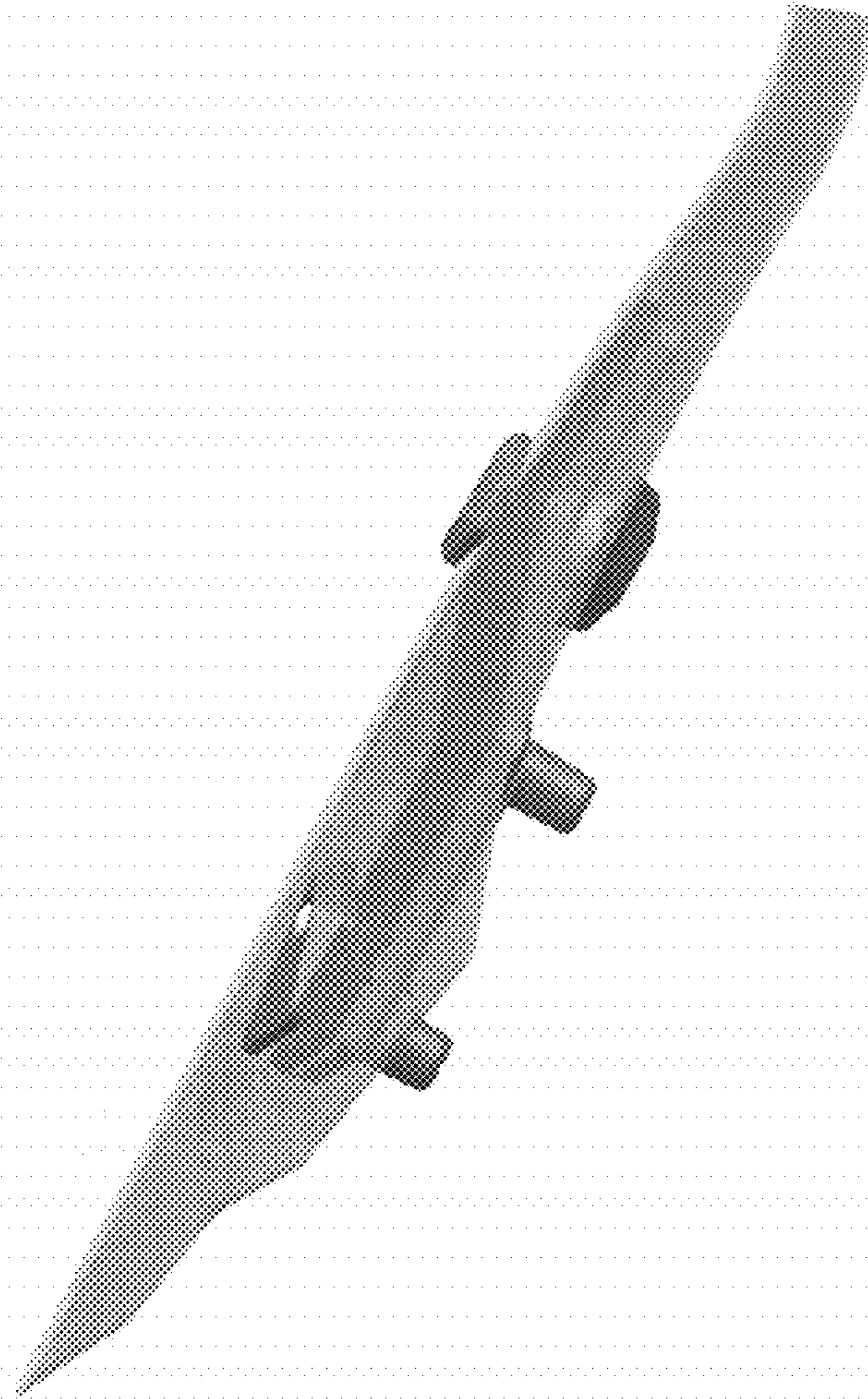


FIG. 5

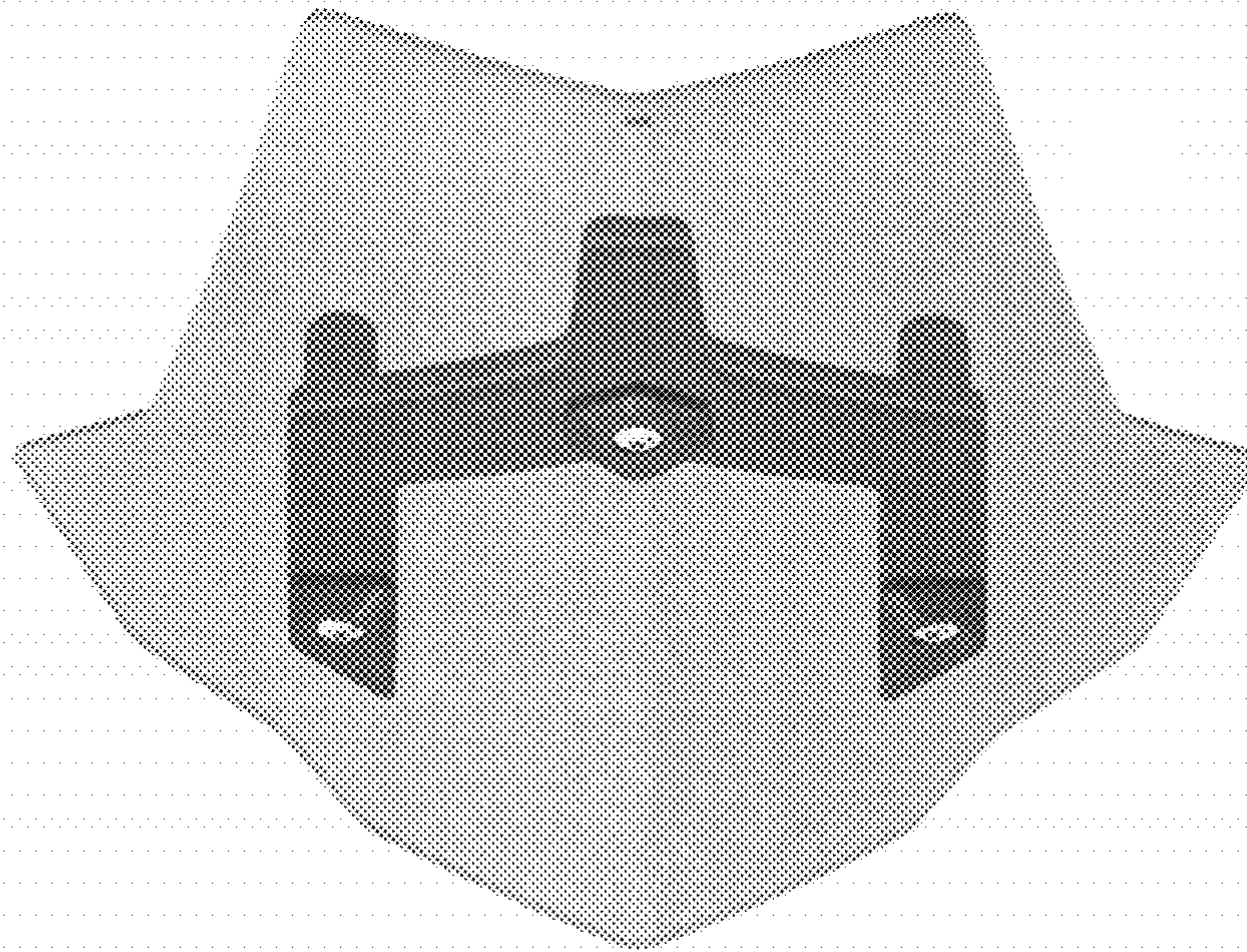


FIG. 6

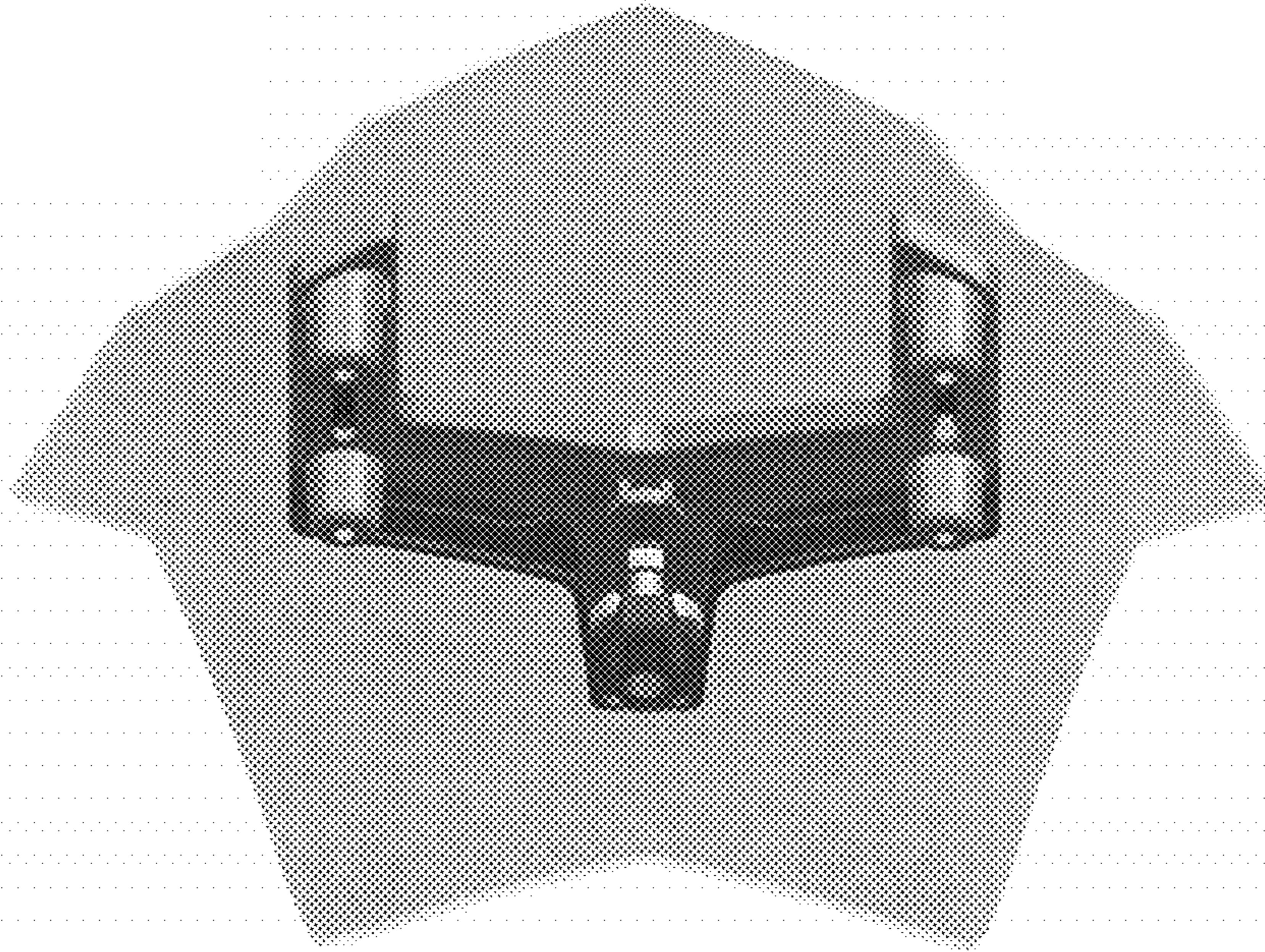


FIG. 7