



US00D922279S

(12) **United States Design Patent** (10) **Patent No.:** **US D922,279 S**
Rekow (45) **Date of Patent:** **** Jun. 15, 2021**

(54) **CONTROL POD**

FOREIGN PATENT DOCUMENTS

(71) Applicant: **Crown Equipment Corporation**, New Bremen, OH (US)

CA 186879 * 9/2018
DE 102009008728 A1 10/2009

(Continued)

(72) Inventor: **Craig Rekow**, Troy, OH (US)

OTHER PUBLICATIONS

(73) Assignee: **Crown Equipment Corporation**, New Bremen, OH (US)

YouTube—Crown Equipment, Crown’s Ergonomic D4 Armrest Enhances Forklift Precision and Comfort, Nov. 27, 2019, [site visited Oct. 3, 2020], Available on the Internet URL <https://www.youtube.com/watch?v=oZWcSjS04DU> (Year: 2019).*

(**) Term: **15 Years**

(Continued)

(21) Appl. No.: **29/666,930**

(22) Filed: **Oct. 17, 2018**

Primary Examiner — Karen S Acker

Assistant Examiner — Steven B Reinholdt, Jr.

(51) **LOC (13) Cl.** **12-16**

(74) *Attorney, Agent, or Firm* — Stevens & Showalter LLP

(52) **U.S. Cl.**

USPC **D12/174**

(58) **Field of Classification Search**

USPC D13/168; D21/333; D14/388; D12/174

CPC A63F 13/24

See application file for complete search history.

(57) **CLAIM**

The ornamental design for a control pod, as shown and described.

DESCRIPTION

(56) **References Cited**

U.S. PATENT DOCUMENTS

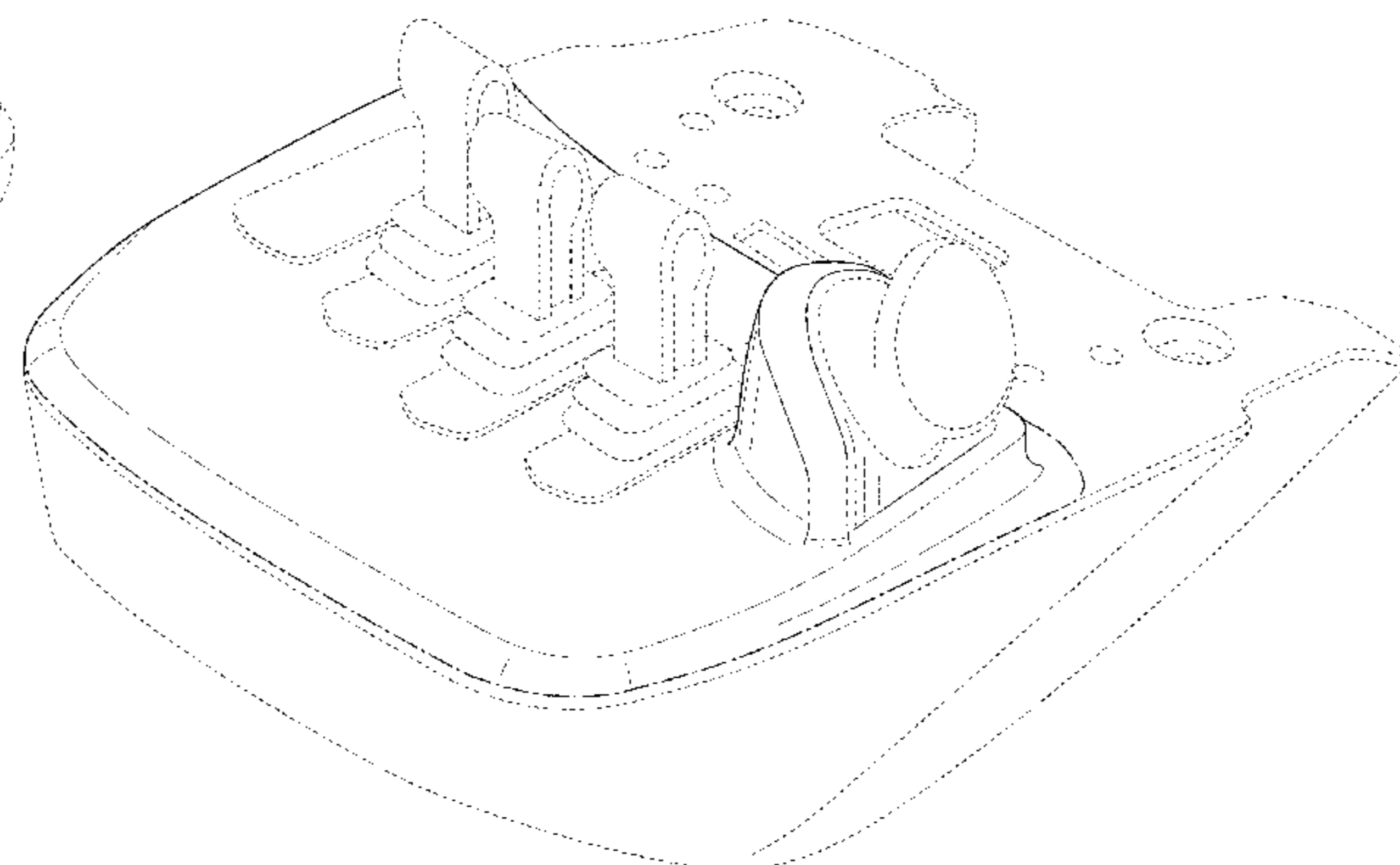
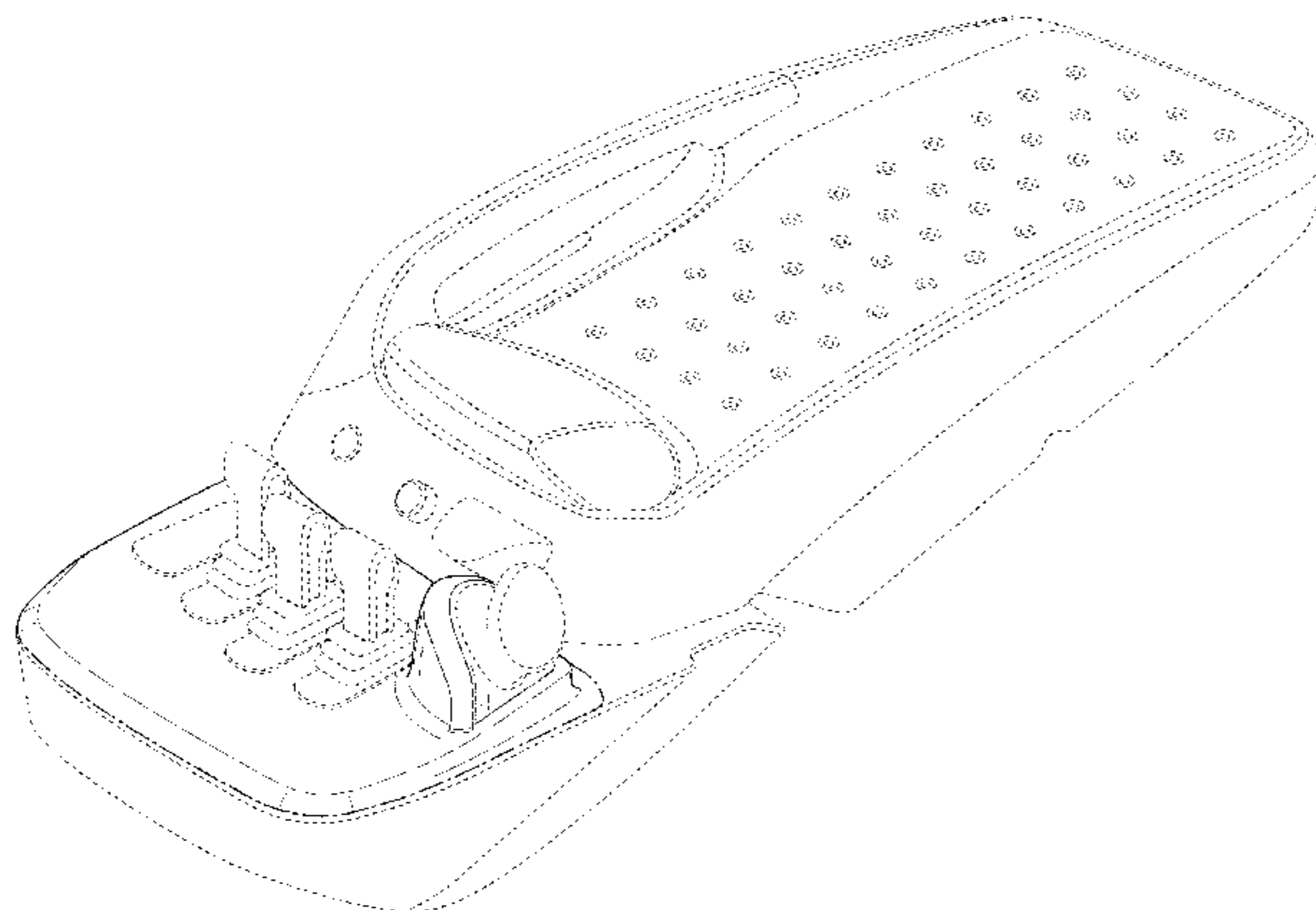
D253,234 S *	10/1979	Cooke	D13/168
4,200,166 A	4/1980	Hansen		
4,650,934 A	3/1987	Burke		
4,913,573 A	4/1990	Retter		
4,917,516 A	4/1990	Retter		
D315,896 S	4/1991	Brown		
5,434,757 A	7/1995	Kashiwagi		
5,566,778 A	10/1996	Valier et al.		
5,892,499 A	4/1999	Vulk, Jr.		
5,938,282 A	8/1999	Epple		
6,634,453 B2	10/2003	Arthur et al.		
6,903,652 B2	6/2005	Noguchi et al.		
6,928,350 B2	8/2005	Melnyk et al.		
7,018,158 B2	3/2006	Amamiya et al.		
D521,512 S *	5/2006	Kunzi	D14/388

(Continued)

FIG. 1 is a top, front, and side perspective view of a control pod shown in a use configuration with environment; FIG. 2 is a perspective view of the control pod as seen from the top, front, and first side; FIG. 3 is a top plan view thereof; FIG. 4 is a bottom plan view thereof; FIG. 5 is a second side elevational view thereof; FIG. 6 is a first side elevational view thereof; FIG. 7 is a front elevational view thereof; and, FIG. 8 is a rear elevational view thereof.

The broken lines shown in the drawings depict portions of the control pod that form no part of the claimed design. The broken lines in FIG. 1 depicting environment form no part of the claimed design. The dot-dash lines in the drawings depict boundaries and portions of the control pod that form no part of the claimed design.

1 Claim, 8 Drawing Sheets



(56)

References Cited

U.S. PATENT DOCUMENTS

D535,654 S * 1/2007 Beamish D14/388
 7,172,050 B2 2/2007 Amamiya
 D540,227 S * 4/2007 Doucet D12/174
 7,438,318 B2 10/2008 Sano
 7,458,439 B2 12/2008 Catton et al.
 7,641,021 B2 1/2010 Behneke et al.
 D610,625 S * 2/2010 Guinchard D21/333
 7,712,571 B2 5/2010 Proud et al.
 D618,287 S * 6/2010 Biheller D21/328
 D631,475 S 1/2011 Burke et al.
 D636,394 S 4/2011 Burke et al.
 7,971,677 B2 7/2011 Ekren et al.
 D658,184 S * 4/2012 Chang D14/413
 D719,982 S * 12/2014 Alpsten D15/28
 D728,634 S * 5/2015 Alpsten D15/28
 9,058,052 B2 6/2015 Bruns et al.
 9,330,524 B2 5/2016 Chudek et al.
 D765,043 S * 8/2016 Lauter D13/168
 D777,623 S * 1/2017 Anderton D12/174
 D778,219 S * 2/2017 Choi D12/174
 9,670,939 B2 6/2017 Komatsu et al.
 9,679,715 B2 6/2017 Mori et al.
 D796,454 S * 9/2017 Zheng D13/168
 9,816,251 B2 11/2017 Sasakawa
 D816,000 S * 4/2018 Simoens D12/174
 9,965,061 B2 5/2018 Suzuki et al.
 D871,311 S * 12/2019 TenBrink D12/415
 D875,835 S * 2/2020 Yamamoto D21/333
 D876,550 S * 2/2020 Ehara D21/333
 D876,994 S * 3/2020 Collins D12/133
 D878,429 S * 3/2020 Rekow D15/28
 D882,529 S * 4/2020 Scott D13/168
 D884,700 S * 5/2020 Shao D14/412

D887,410 S * 6/2020 Lo D14/388
 2005/0034549 A1 2/2005 Braud
 2008/0023250 A1 1/2008 Hefner et al.
 2016/0221808 A1 8/2016 Babel et al.

FOREIGN PATENT DOCUMENTS

GB 2161755 A 1/1986
 JP 0899800 A 4/1996
 JP 08113484 A 5/1996
 JP 11208385 A 8/1999
 JP 2003168346 A 6/2003
 JP 2004308132 A 11/2004
 JP 2006006721 A 1/2006
 JP 2006350584 A 12/2006
 JP 4254694 B2 4/2009
 JP 2009181423 A 8/2009
 JP 2011004992 A 1/2011
 JP 2015116197 A 6/2015
 JP 2015189413 A 11/2015
 JP 2016165335 A 9/2016
 KR 20060074033 A 7/2006
 KR 10101515564 B1 4/2015
 WO 8603167 A1 6/1986
 WO 92014232 A1 8/1992

OTHER PUBLICATIONS

Chicago Athenaeum museum website, Crown D4 Armrest, Publication date unknown, [site visited Oct. 3, 2020], Available on the Internet URL <https://www.chi-athenaeum.org/industrial-2019/2019/12/13/crown-d4-armrest-epv-lift-truck-controls-2018-2019/> (Year: 2020).*

* cited by examiner

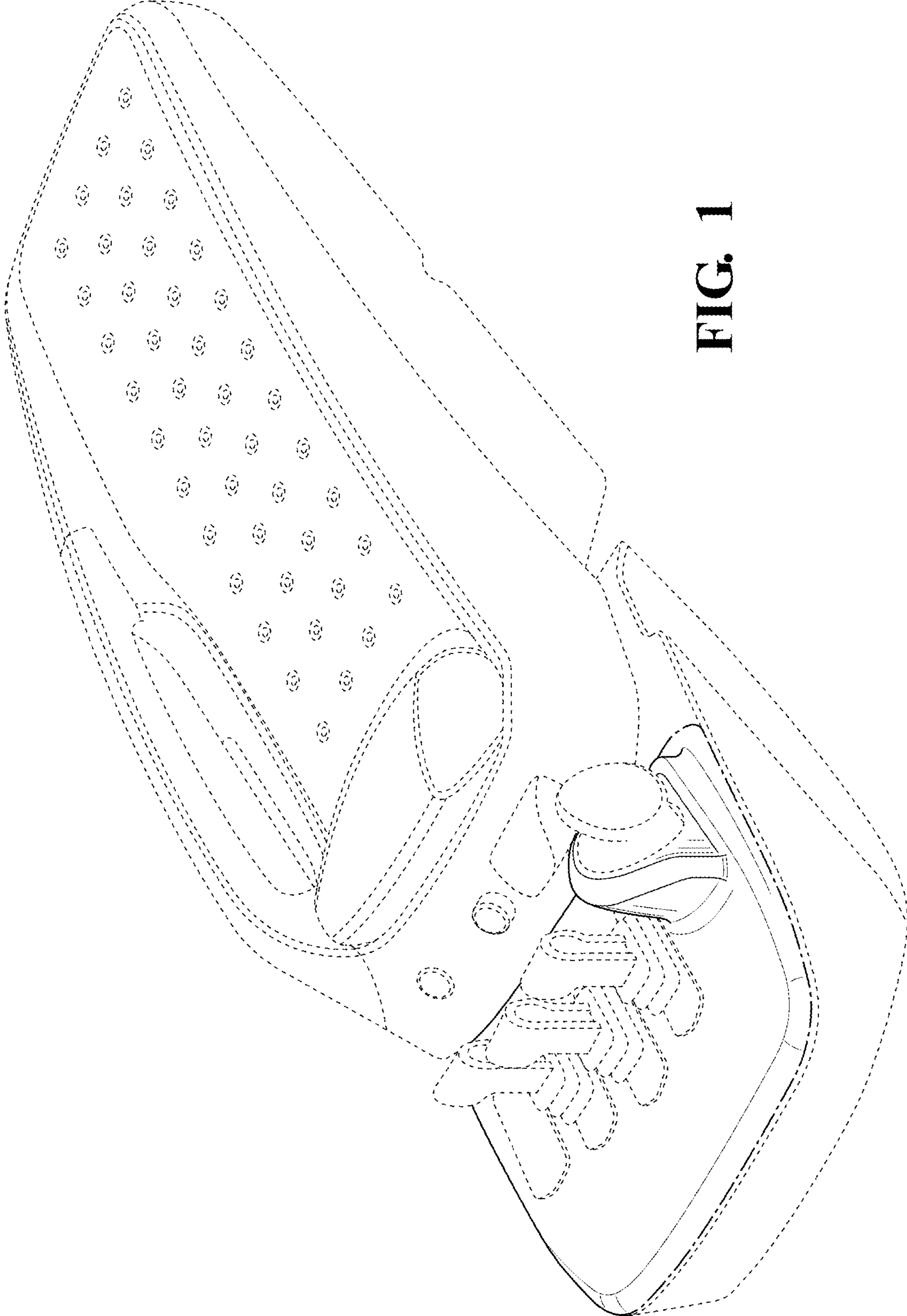


FIG. 1

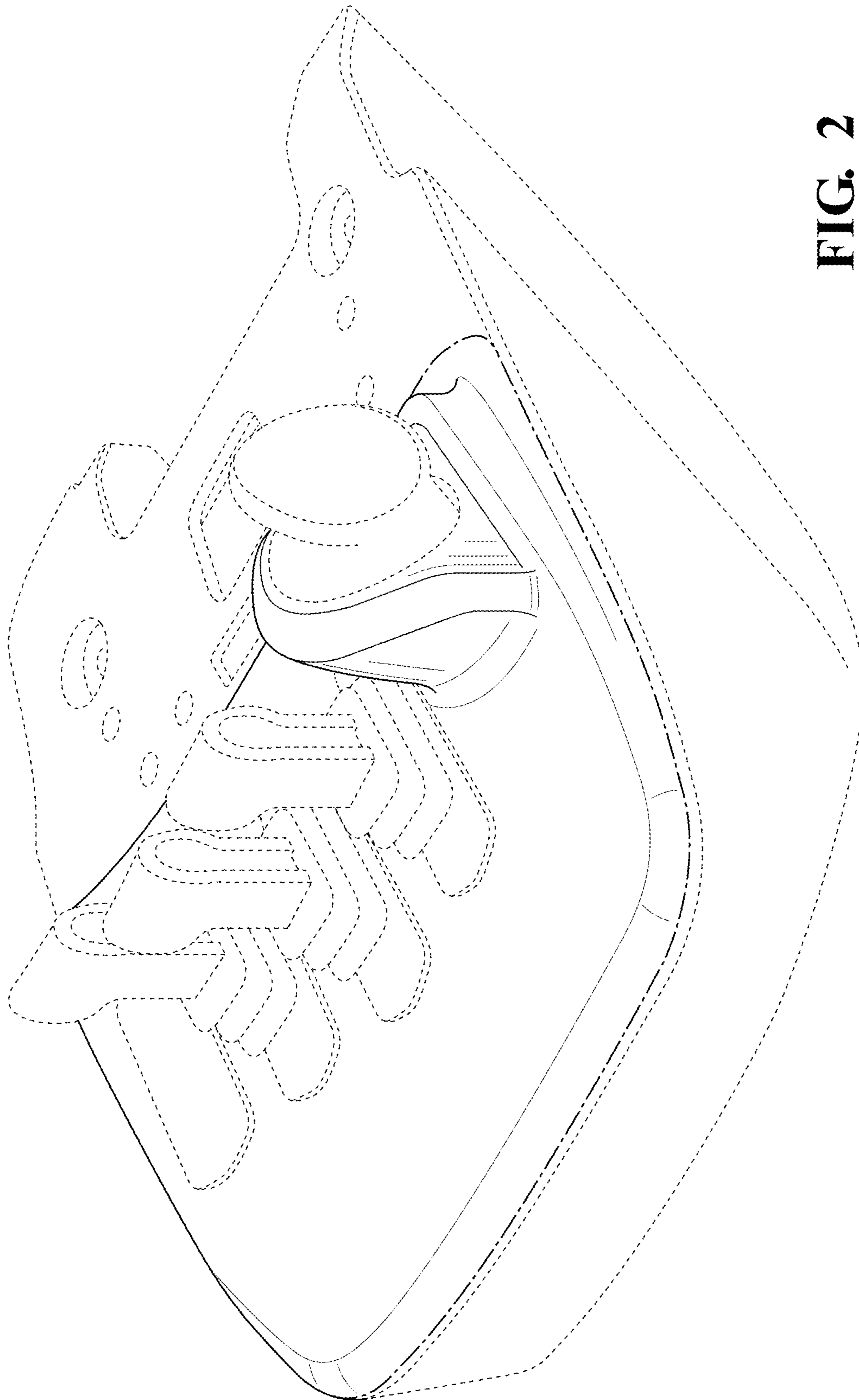


FIG. 2

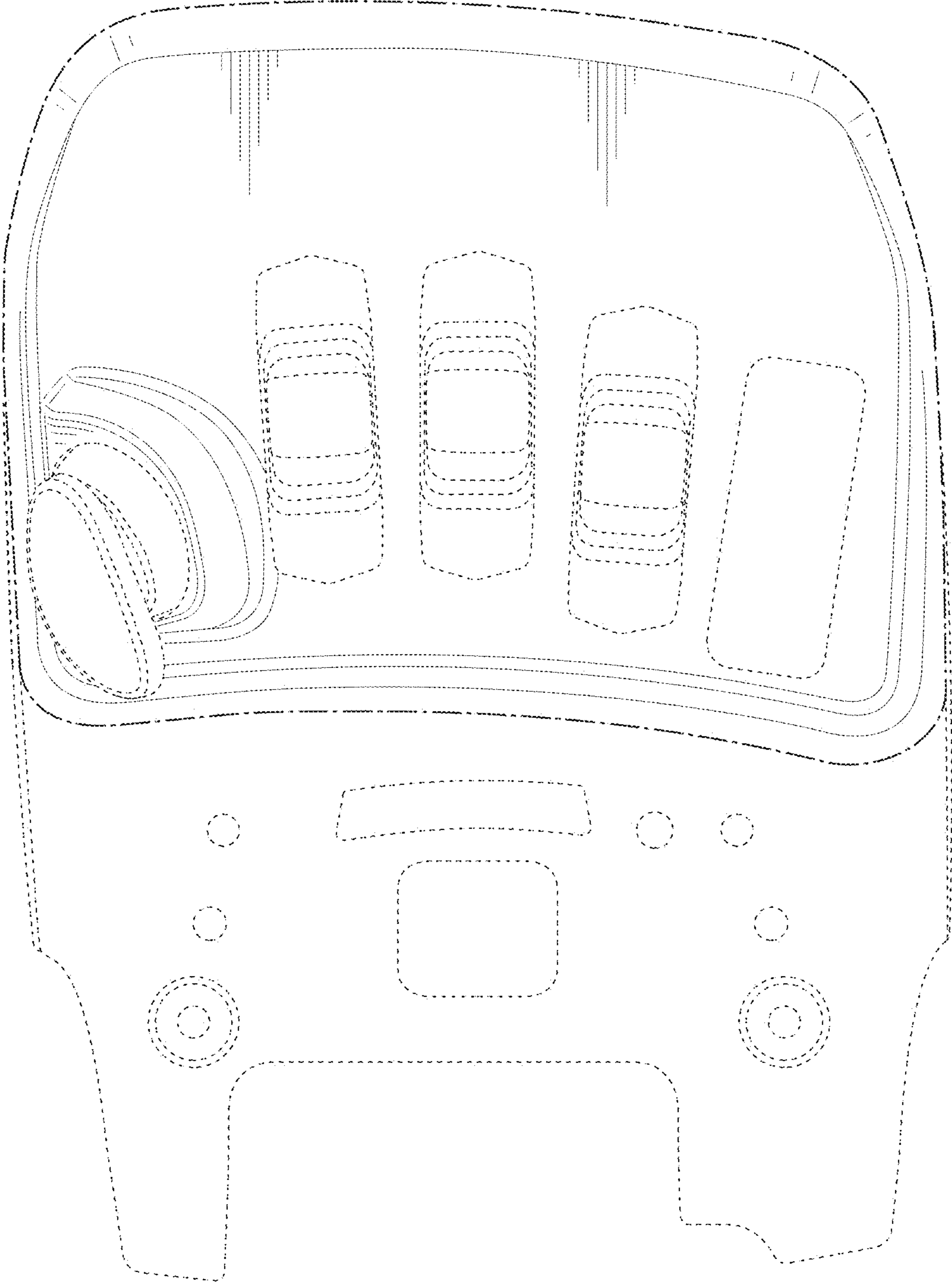


FIG. 3

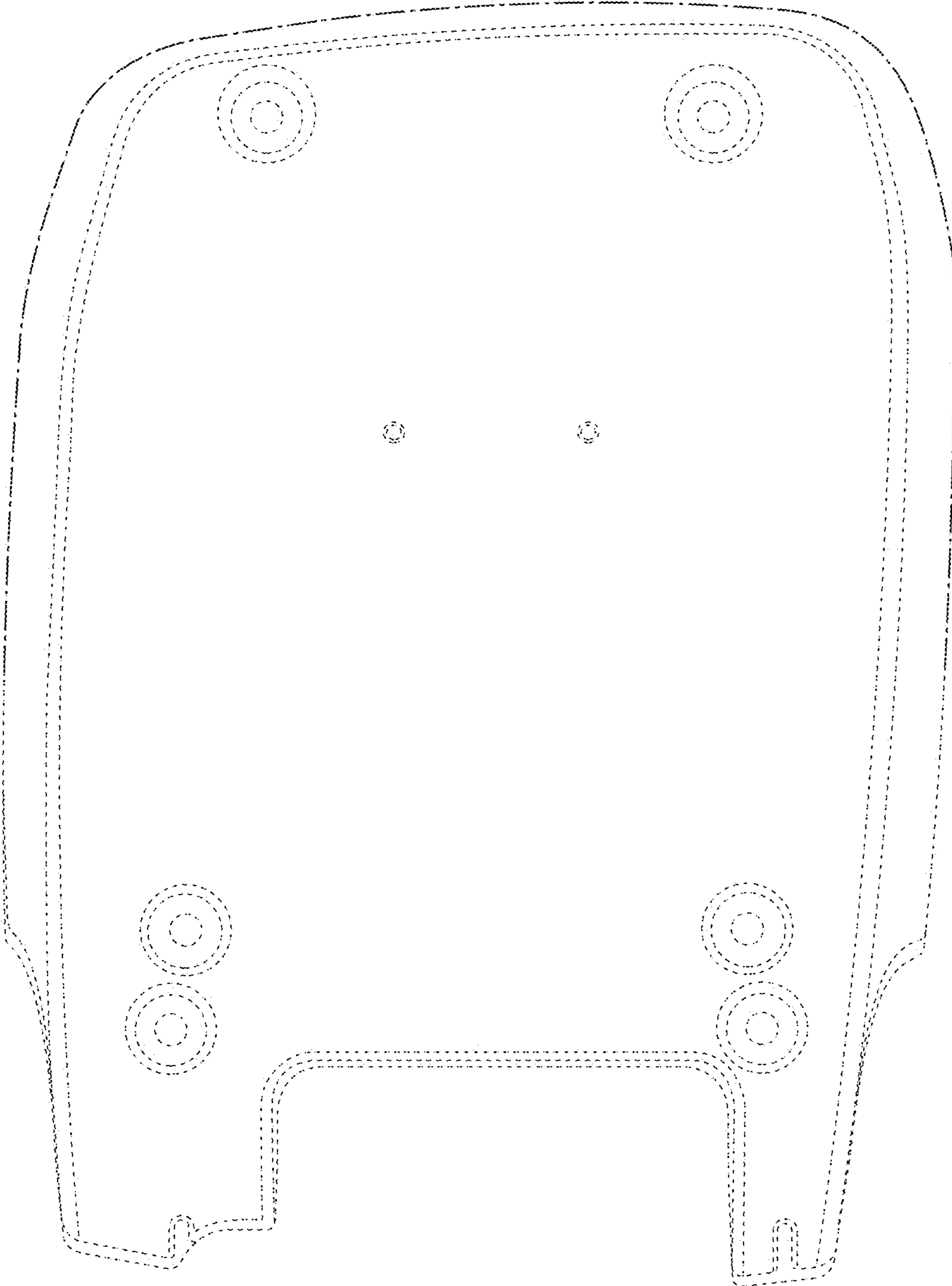


FIG. 4

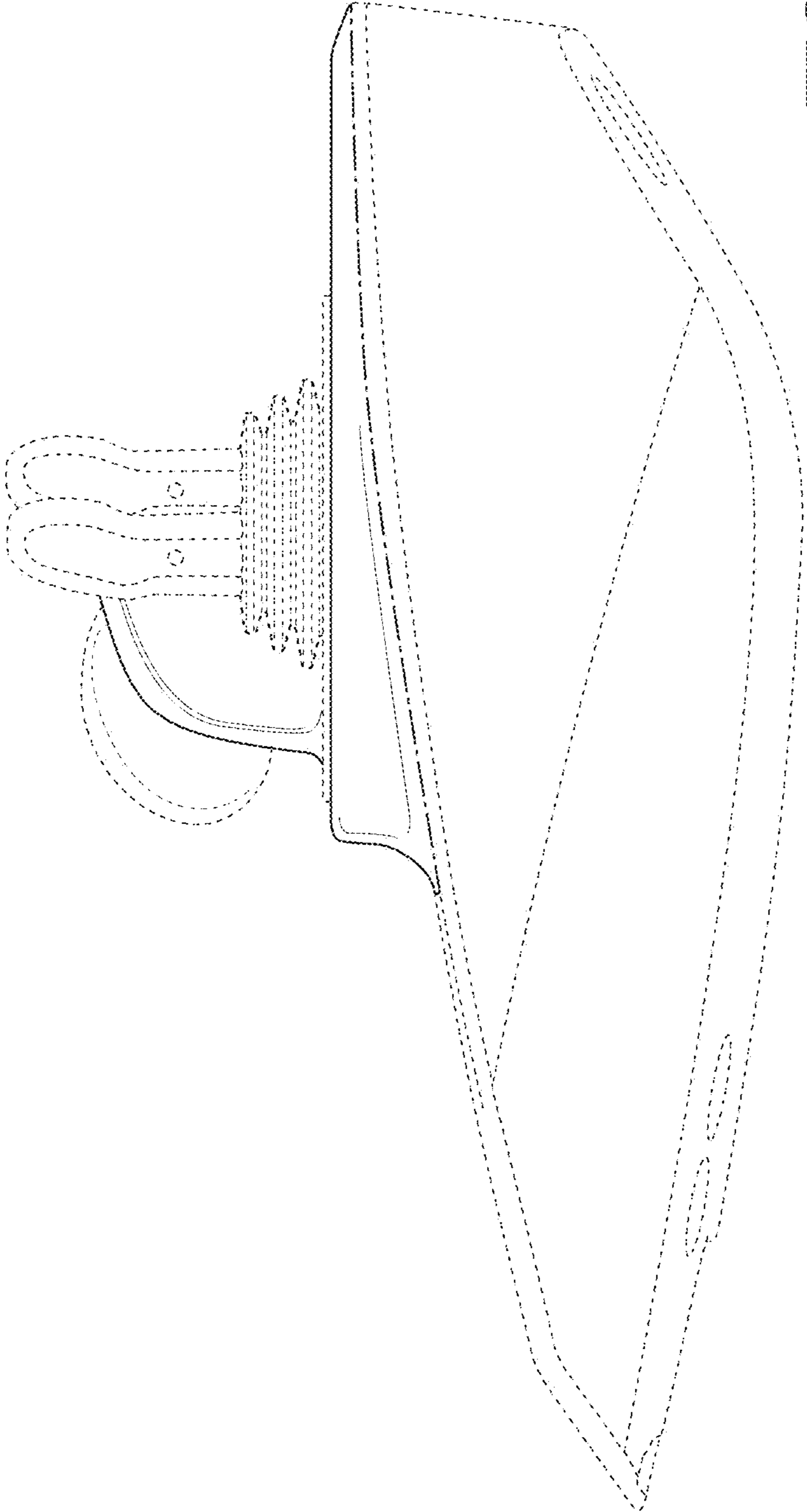


FIG. 5

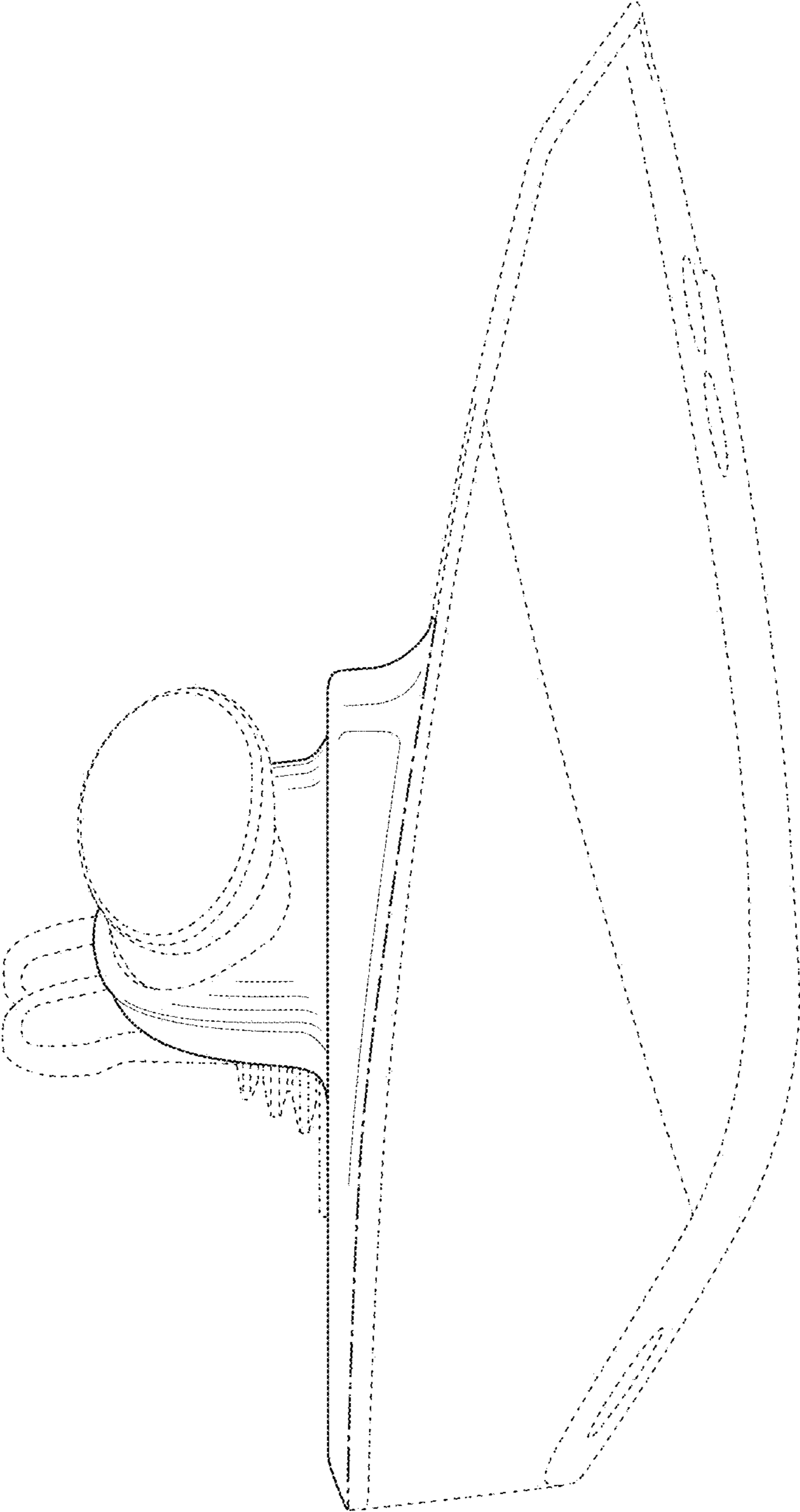


FIG. 6

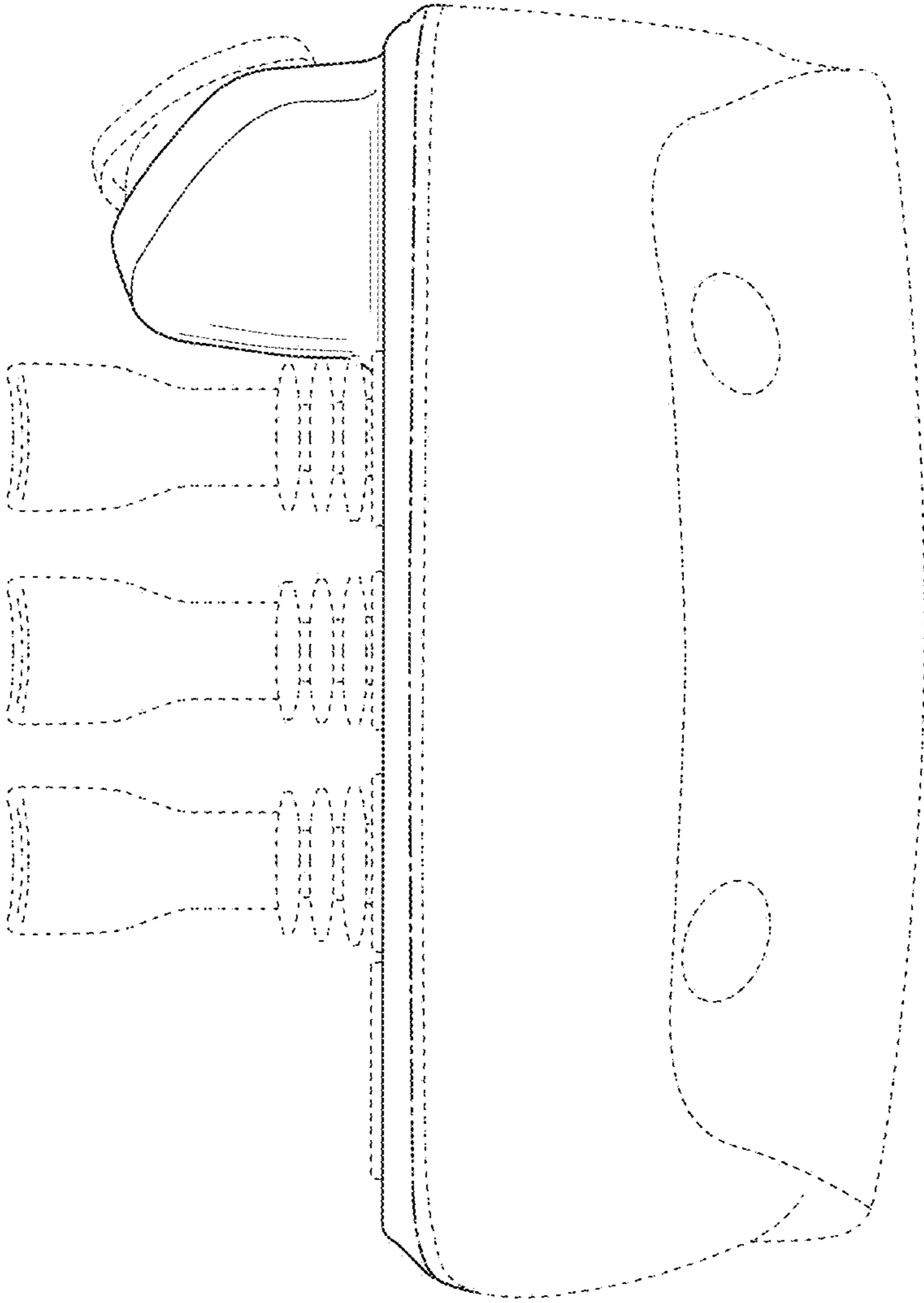


FIG. 7

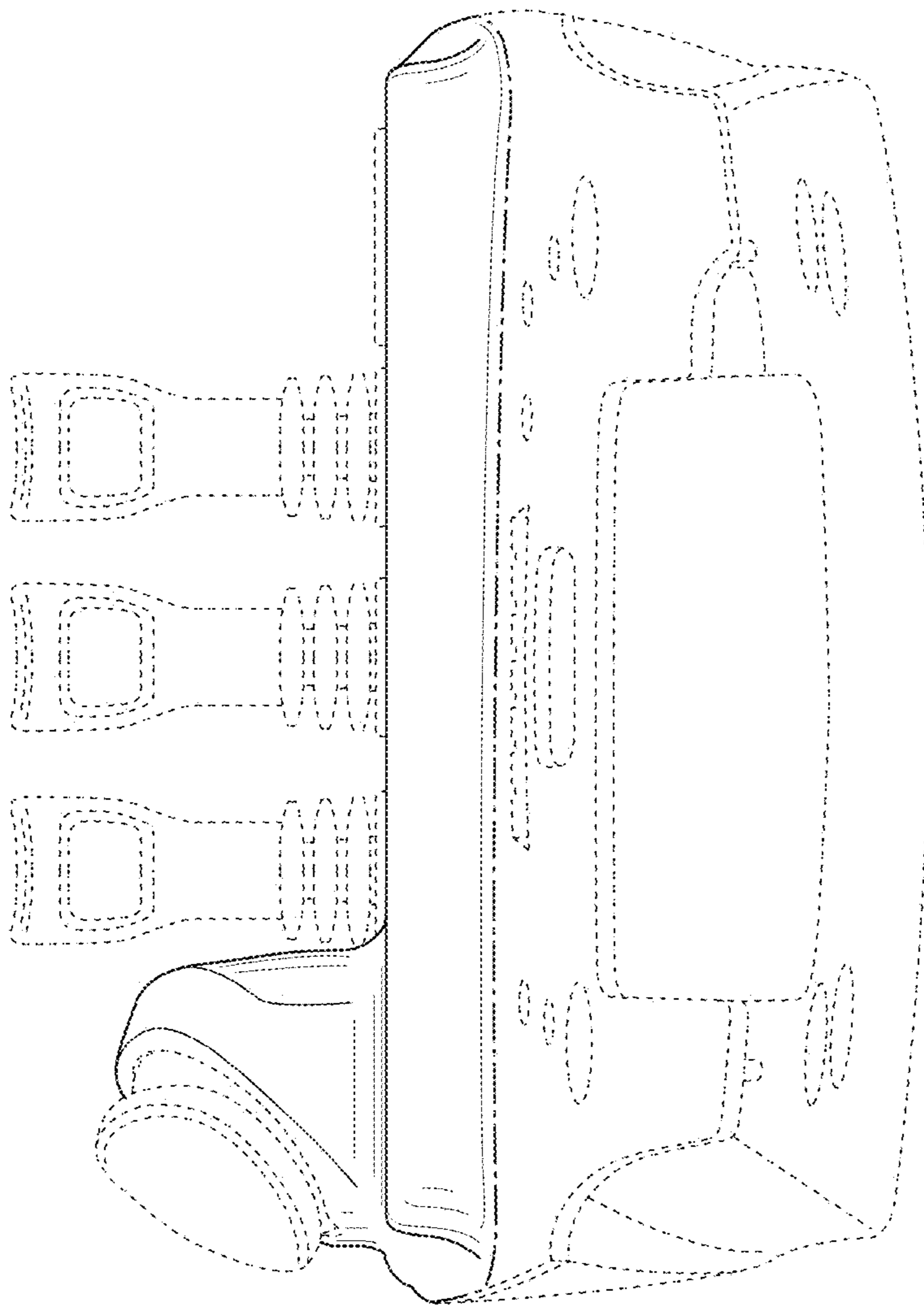


FIG. 8