



US00D922278S

(12) **United States Design Patent**
Kim et al.

(10) **Patent No.:** **US D922,278 S**
(45) **Date of Patent:** **** Jun. 15, 2021**

(54) **FRONT BUMPER COVER FOR AUTOMOBILES**
(71) Applicants: **HYUNDAI MOTOR COMPANY**, Seoul (KR); **KIA MOTORS CORPORATION**, Seoul (KR)

D829,619 S * 10/2018 Kim D12/169
D839,154 S * 1/2019 Kim D12/169
D870,612 S * 12/2019 Tonello D12/169
D874,991 S * 2/2020 Park D12/169
D902,806 S * 11/2020 Oh D12/169

* cited by examiner

(72) Inventors: **Sung-Wook Kim**, Gunpo-si (KR); **Ji-Hun Kim**, Hwaseong-si (KR)

Primary Examiner — George D. Kirschbaum
Assistant Examiner — Joseph J Kukella

(**) Term: **15 Years**

(21) Appl. No.: **35/508,943**

(57) **CLAIM**

(22) Filed: **Dec. 20, 2019**

The ornamental design for a front bumper cover for automobiles, as shown and described.

(80) **Hague Agreement Data**

Int. Filing Date: **Dec. 20, 2019**
Int. Reg. No.: **DM/206638**
Int. Reg. Date: **Dec. 20, 2019**
Int. Reg. Pub. Date: **Apr. 3, 2020**

DESCRIPTION

(51) **LOC (13) Cl.** **12-16**

(52) **U.S. Cl.**
USPC **D12/169**

(58) **Field of Classification Search**
USPC D12/163–171
CPC B62D 25/10; B62D 25/105
See application file for complete search history.

- 1. Front bumper cover for automobiles
- 1.1 : Perspective
- 1.2 : Front
- 1.3 : Back
- 1.4 : Left
- 1.5 : Right
- 1.6 : Top
- 1.7 : Bottom

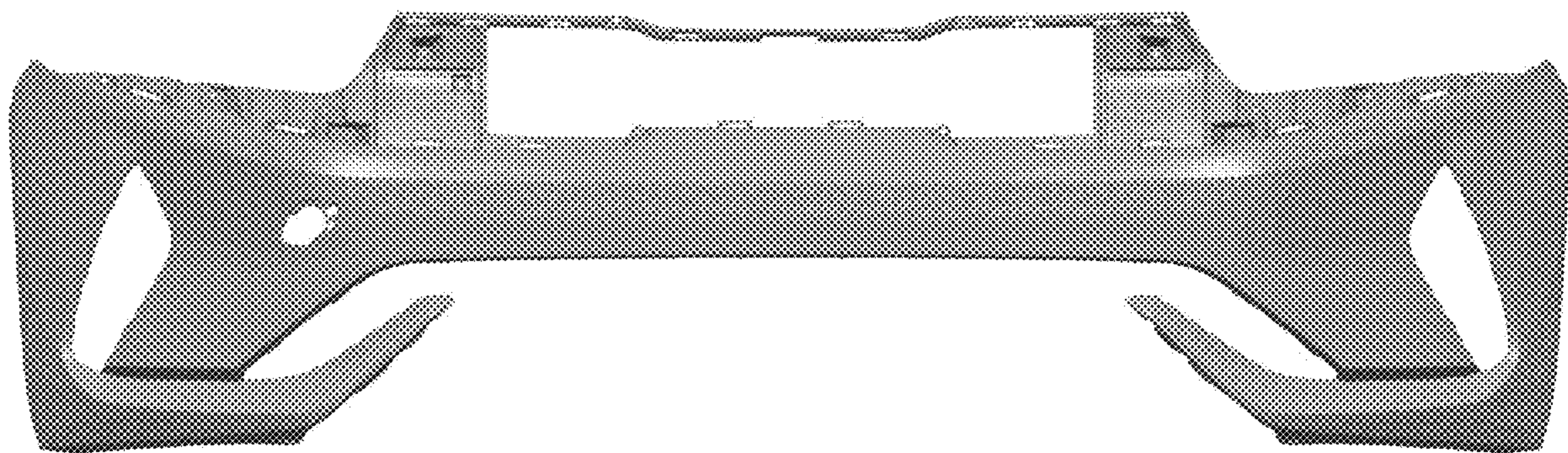
1.1 is a perspective view of a front bumper cover for automobiles showing our new design; 1.2 is a front elevation view thereof; 1.3 is a back elevation view thereof; 1.4 is a left side elevation view thereof; 1.5 is a right side elevation view thereof; 1.6 is a top plan view thereof; and 1.7 is a bottom plan view thereof.

(56) **References Cited**

U.S. PATENT DOCUMENTS

D823,748 S * 7/2018 Sunhwan D12/169
D823,749 S * 7/2018 Choey D12/169

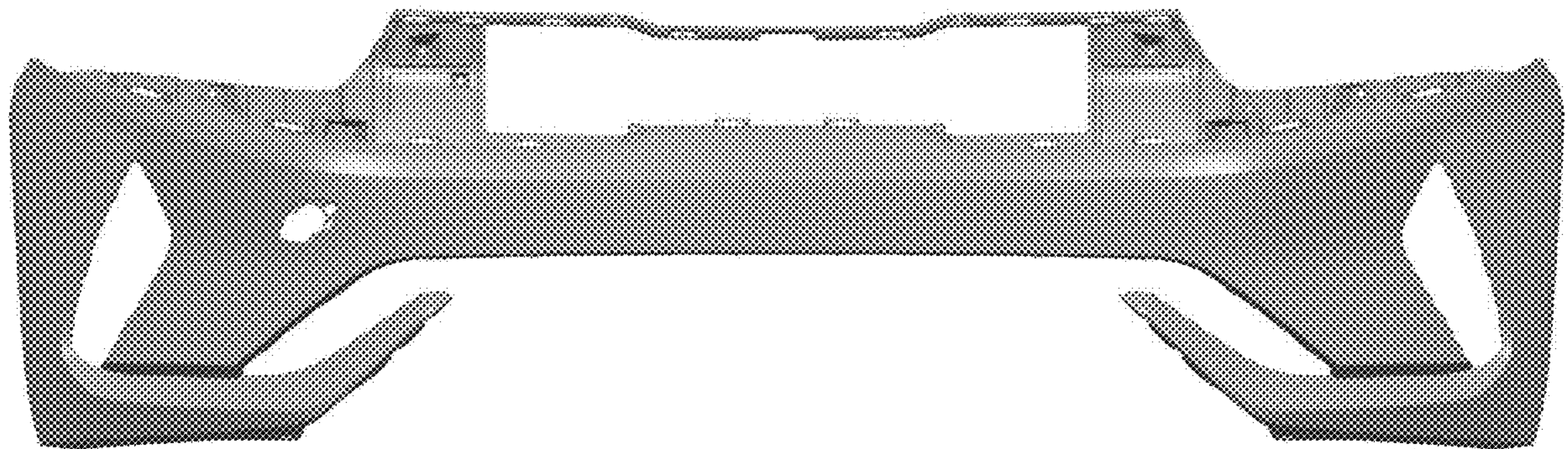
1 Claim, 7 Drawing Sheets



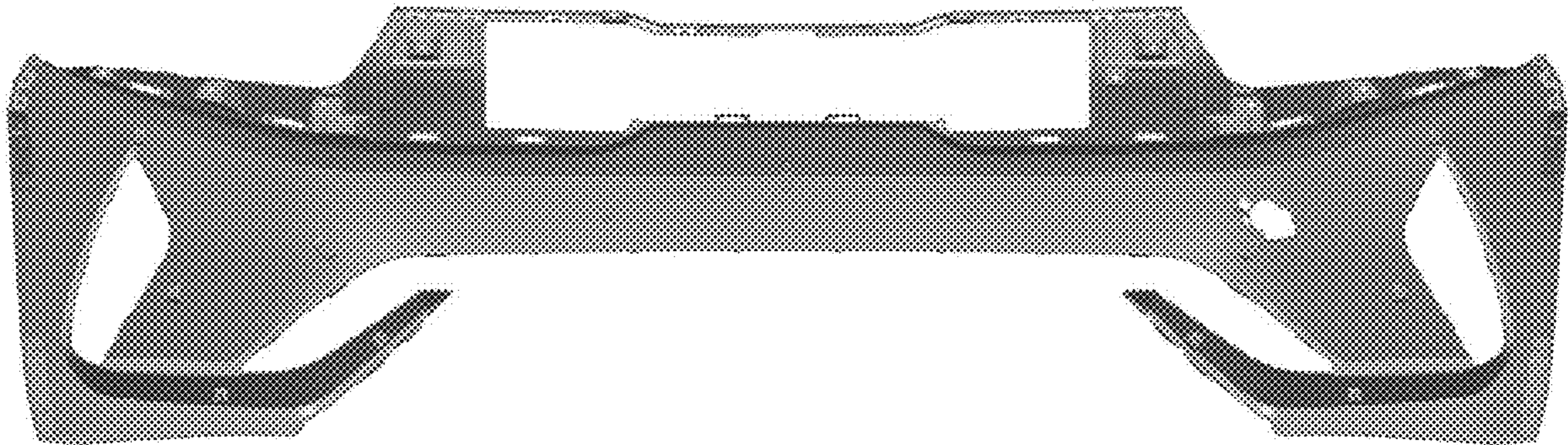
1.1



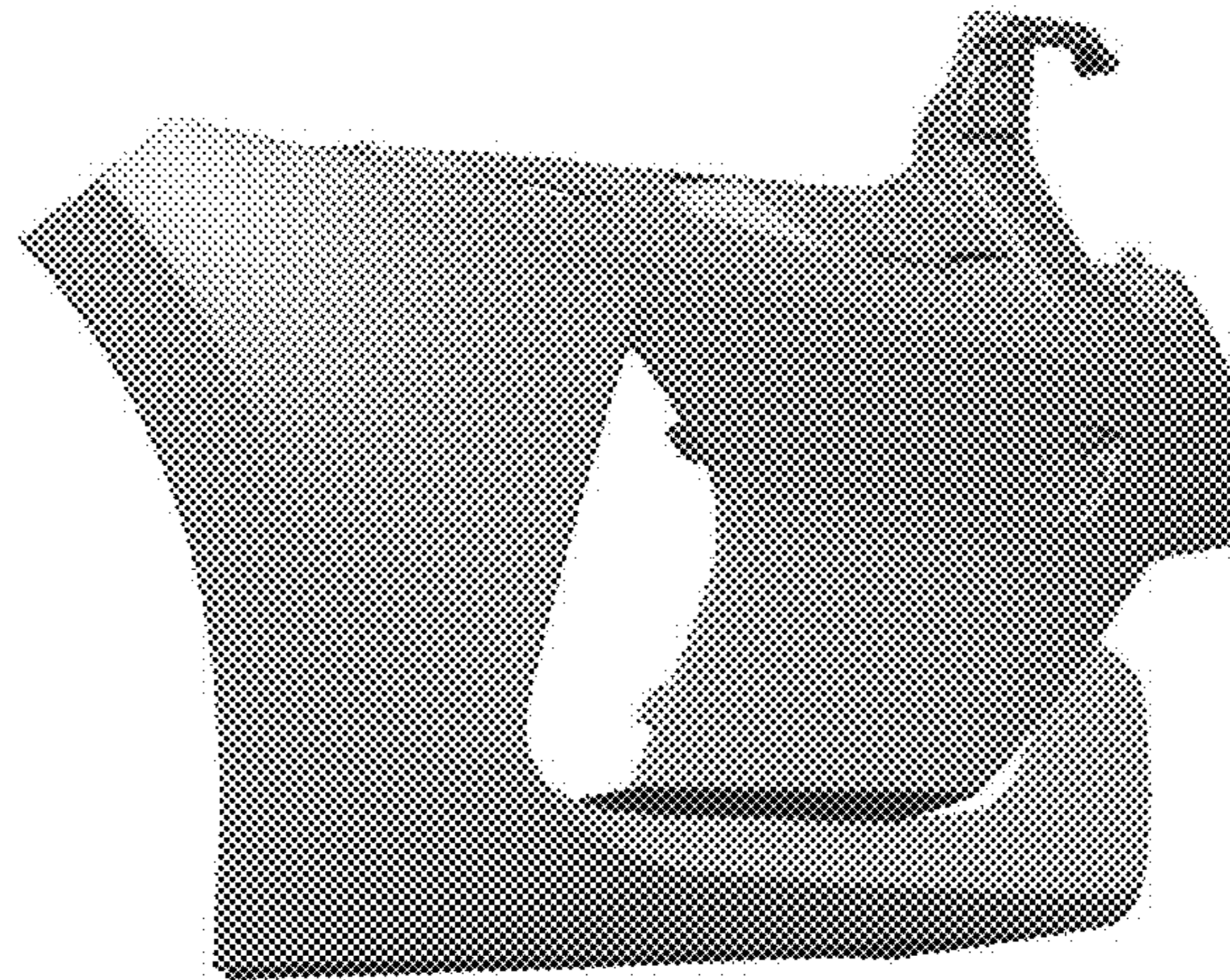
1.2



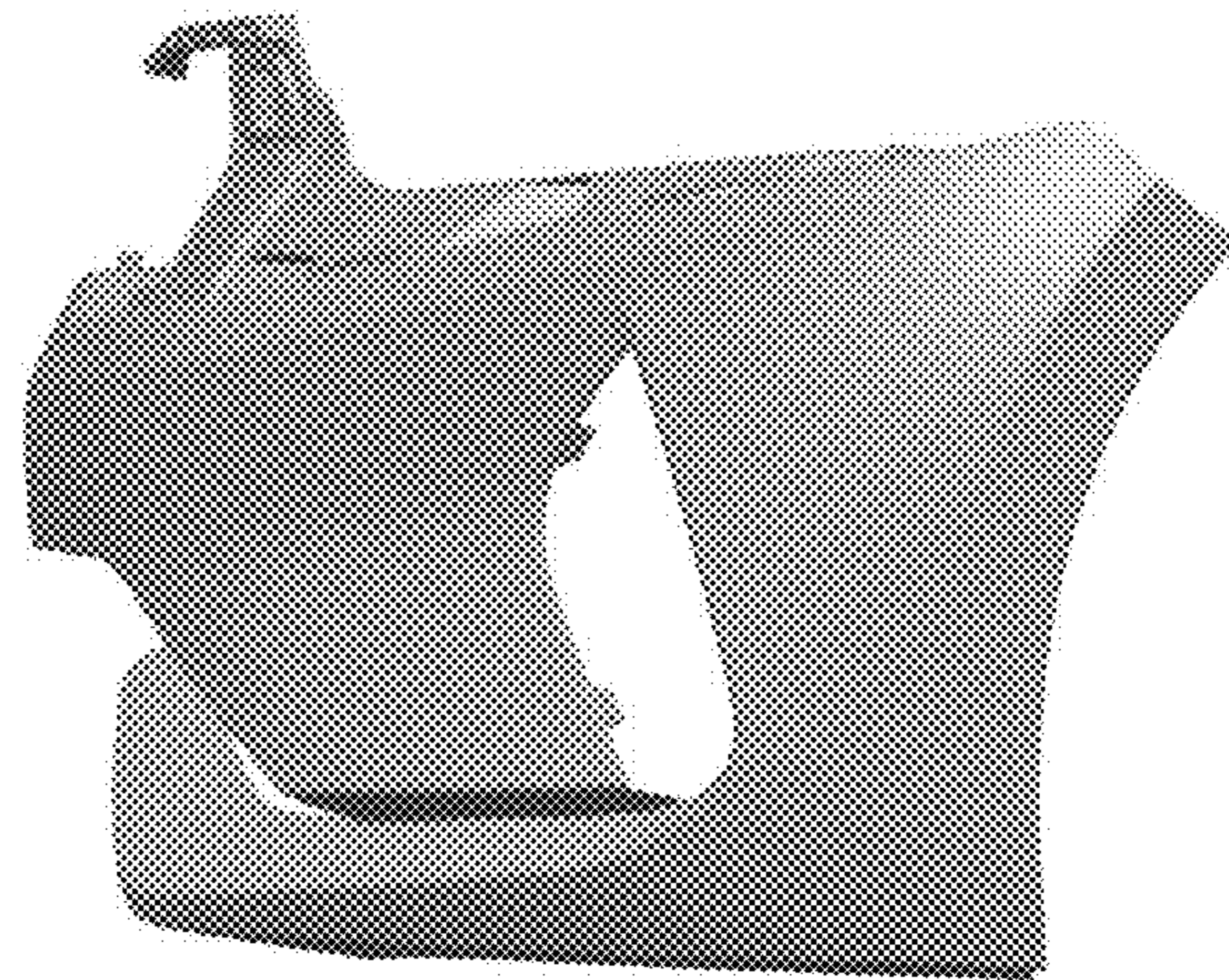
1.3



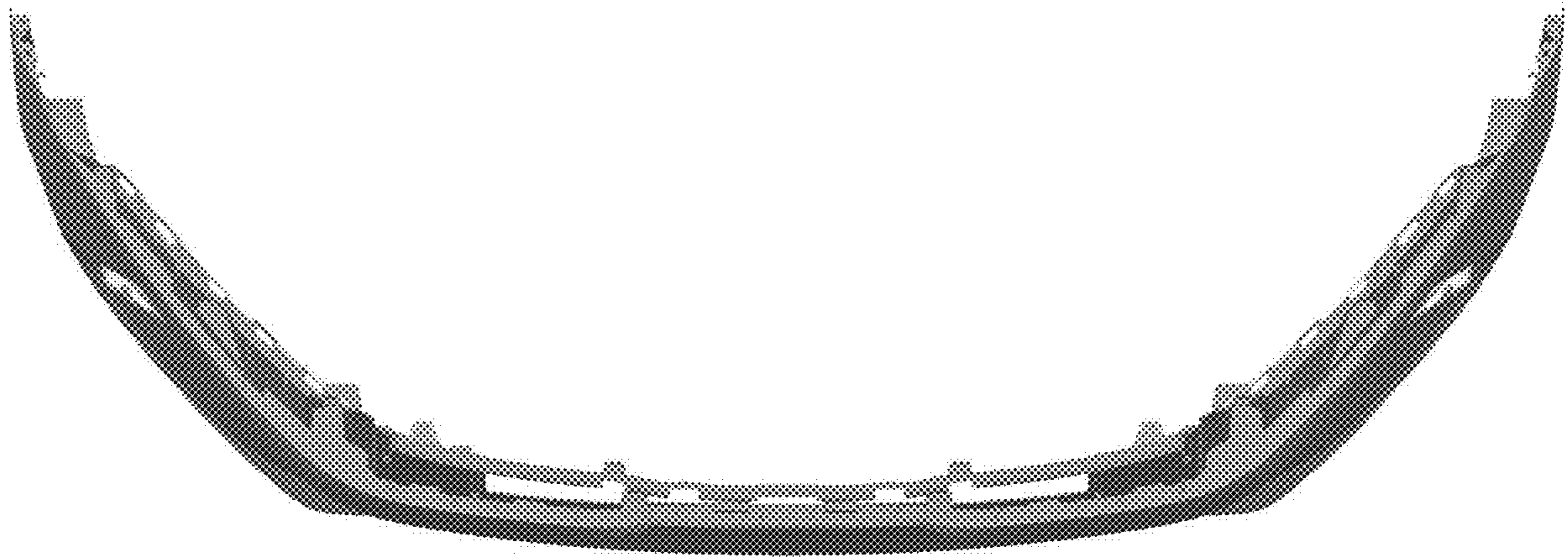
1.4



1.5



1.6



1.7

