



US00D922275S

(12) **United States Design Patent** (10) **Patent No.:** **US D922,275 S**  
**Burki** (45) **Date of Patent:** **\*\* Jun. 15, 2021**

(54) **FRONT BUMPER FOR MOTOR VEHICLE**

D811,964 S \* 3/2018 Perkins ..... D12/169  
D865,568 S \* 11/2019 Burki ..... D12/92  
D865,584 S 11/2019 Burki  
D875,626 S \* 2/2020 Burki ..... D12/169  
D890,640 S \* 7/2020 Burki ..... D12/164

(71) Applicant: **Dr. Ing. h.c. F. Porsche**  
**Aktiengesellschaft, Stuttgart (DE)**

(72) Inventor: **Emiel Burki, Stuttgart (DE)**

(73) Assignee: **Dr. Ing. h.c. F. Porsche**  
**Aktiengesellschaft**

(\*\*) Term: **15 Years**

(21) Appl. No.: **29/725,545**

(22) Filed: **Feb. 26, 2020**

(30) **Foreign Application Priority Data**

Sep. 6, 2019 (DE) ..... 40 2019 100 961.2

(51) **LOC (13) Cl.** ..... **12-16**

(52) **U.S. Cl.**  
USPC ..... **D12/169**

(58) **Field of Classification Search**  
USPC ... D12/1, 14, 82, 85, 86, 87, 88, 89, 90, 91,  
D12/92, 93, 96, 97, 98, 99, 163, 164,  
D12/165, 167, 169, 170, 171, 172, 181,  
D12/184, 185, 190, 196, 216, 223, 400;  
D21/533, 548, 552, 561

CPC ..... B60R 19/02; B60R 19/04; B60R 19/18;  
B60R 19/24; B60R 19/44; B60R 19/48;  
B60R 19/56; B60R 2019/007; B60R  
2019/527; B60R 2019/1886; B62D 25/08  
See application file for complete search history.

(56) **References Cited**

U.S. PATENT DOCUMENTS

D535,595 S \* 1/2007 Matei ..... D12/169  
D792,815 S \* 7/2017 Kozub ..... D12/169

**OTHER PUBLICATIONS**

Porsche Taycan, Published date unavailable [online], [retrieved on Apr. 1, 2021]. Retrieved from the Internet: <https://www.porsche.com/usa/models/taycan/taycan-models/taycan/> (Year: 2021).  
Design U.S. Appl. No. 29/621,321, by Burki, filed Oct. 6 2017.  
Design U.S. Appl. No. 29/708,490, by Burki, filed Oct. 7, 2019.  
Design U.S. Appl. No. 29/685,088, by Burki, filed Mar. 26, 2019.  
Design U.S. Appl. No. 29/713,370, by Burki, filed Nov. 15, 2019.  
Design U.S. Appl. No. 29/712,468, by Burki, filed Nov. 8, 2019.

\* cited by examiner

*Primary Examiner* — Christian P. McLean

*Assistant Examiner* — Adam C Mager

(74) *Attorney, Agent, or Firm* — RatnerPrestia

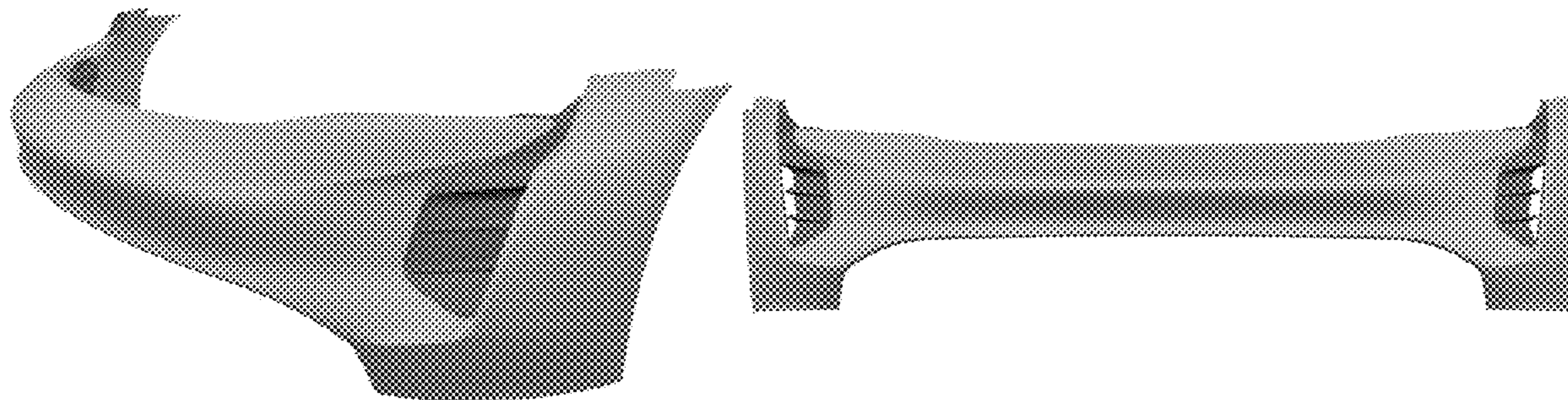
(57) **CLAIM**

The ornamental design for a front bumper for motor vehicle, as shown and described.

**DESCRIPTION**

FIG. 1 is a front perspective view of a front bumper for motor vehicle;  
FIG. 2 is a front elevation view thereof;  
FIG. 3 is a rear elevation view thereof;  
FIG. 4 is an enlarged left side view thereof;  
FIG. 5 is an enlarged right side view thereof;  
FIG. 6 is a top view thereof; and,  
FIG. 7 is a bottom view thereof.

**1 Claim, 6 Drawing Sheets**



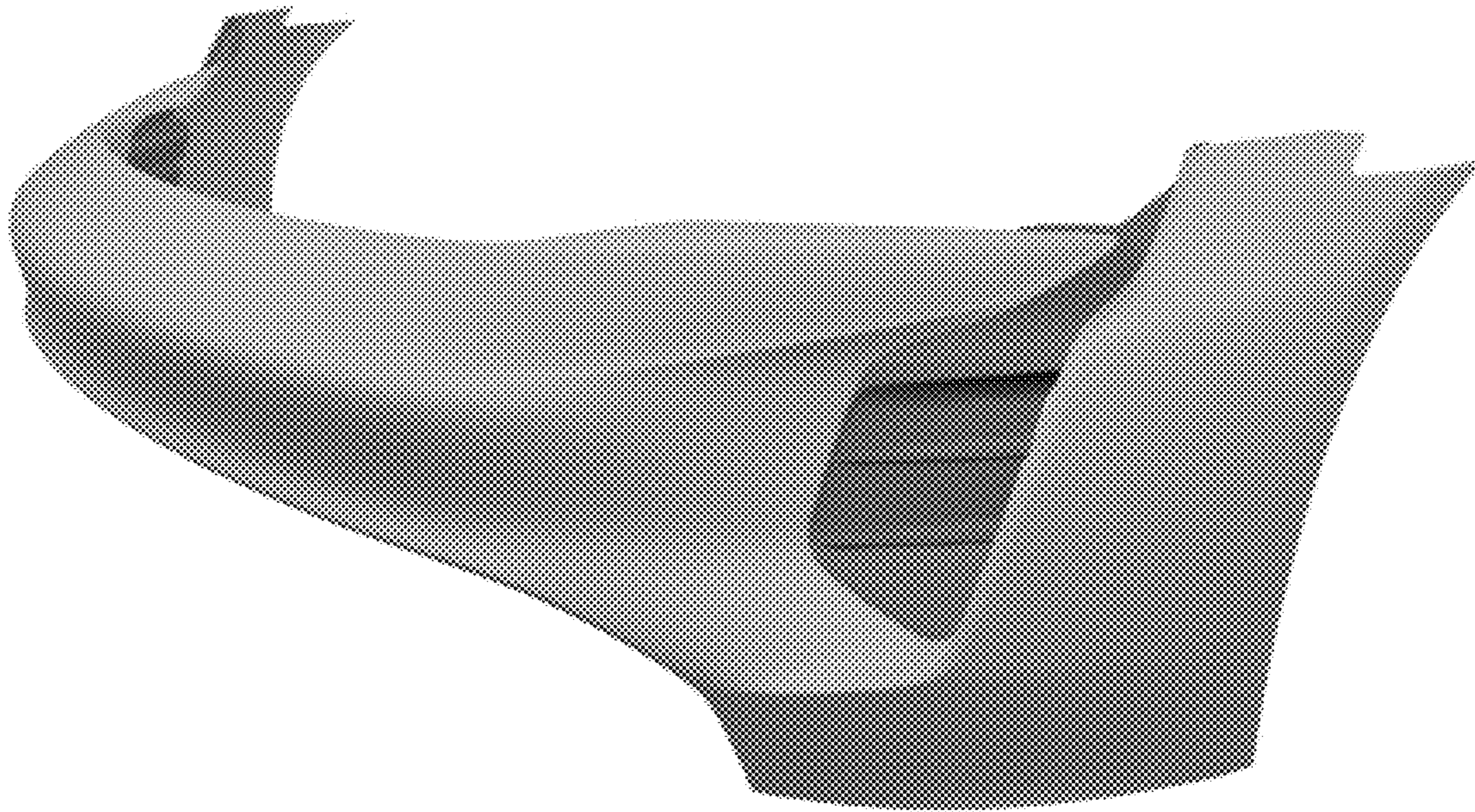


FIG. 1



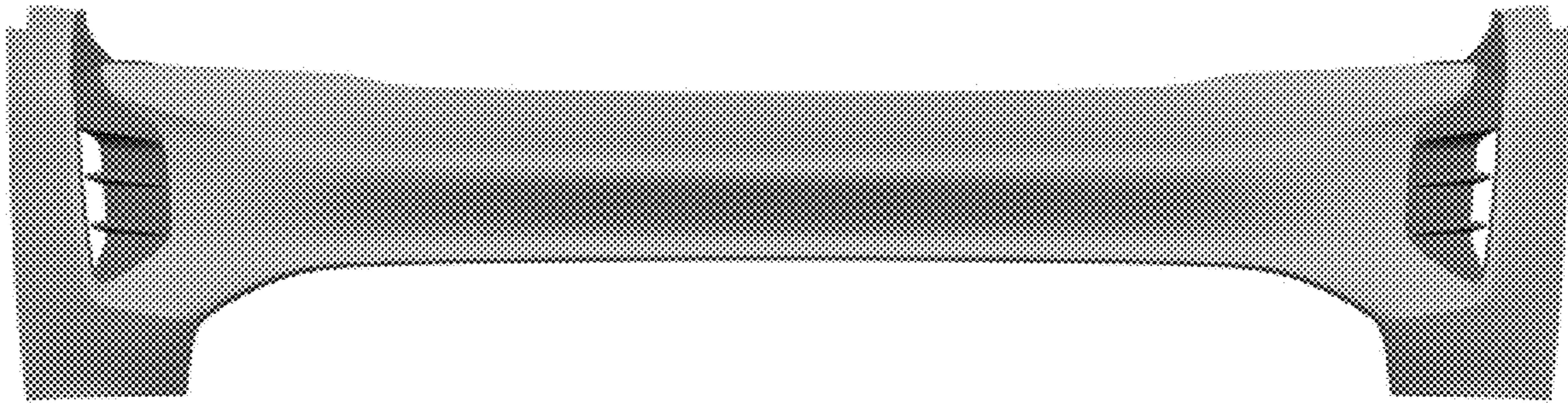


FIG. 2

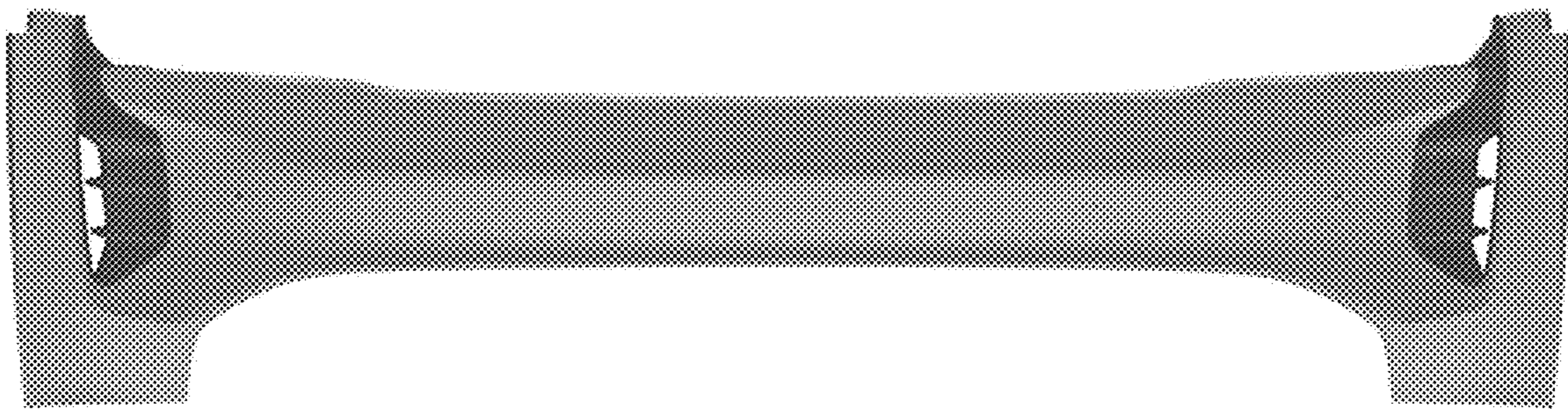


FIG. 3

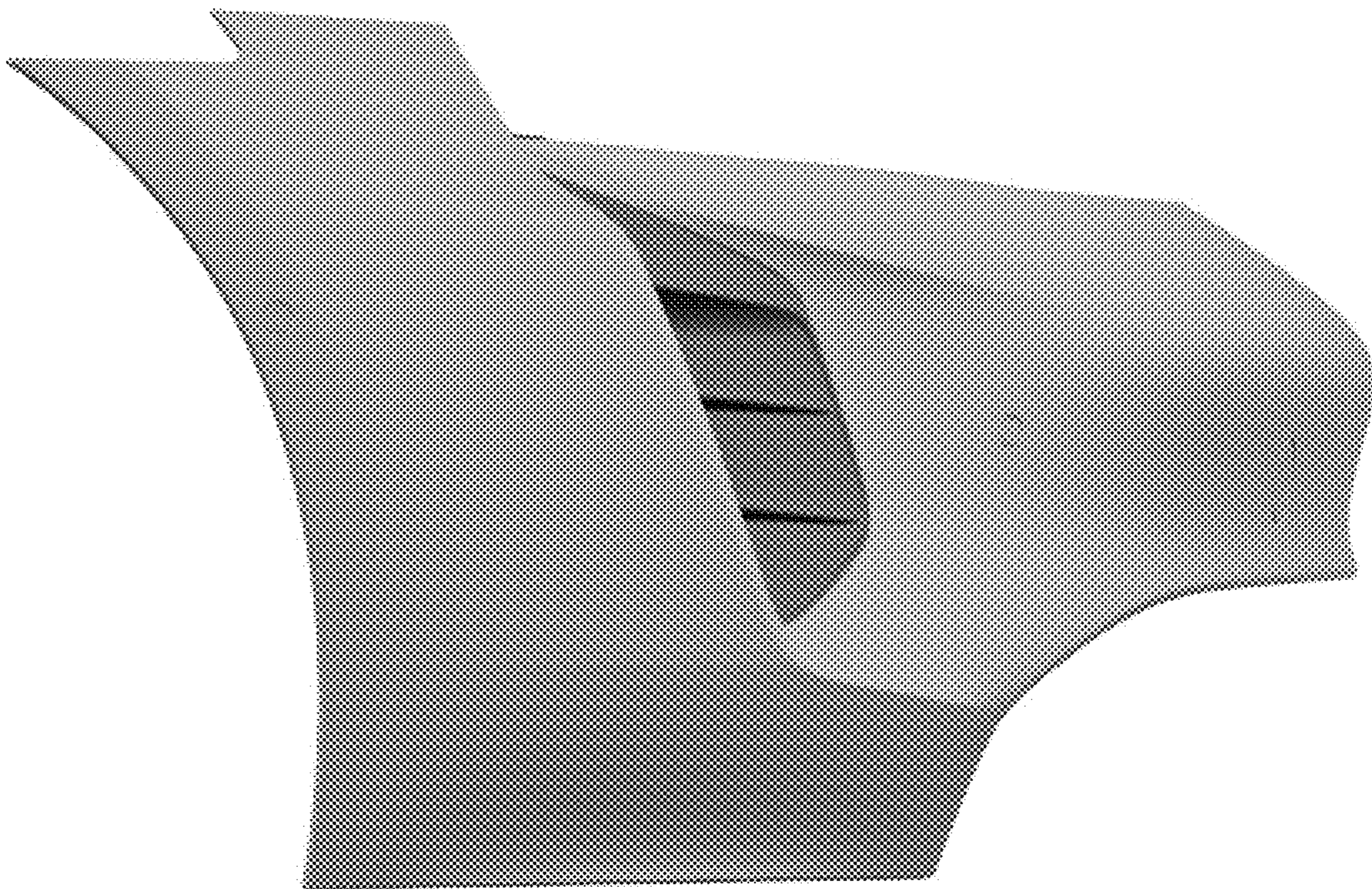


FIG. 4



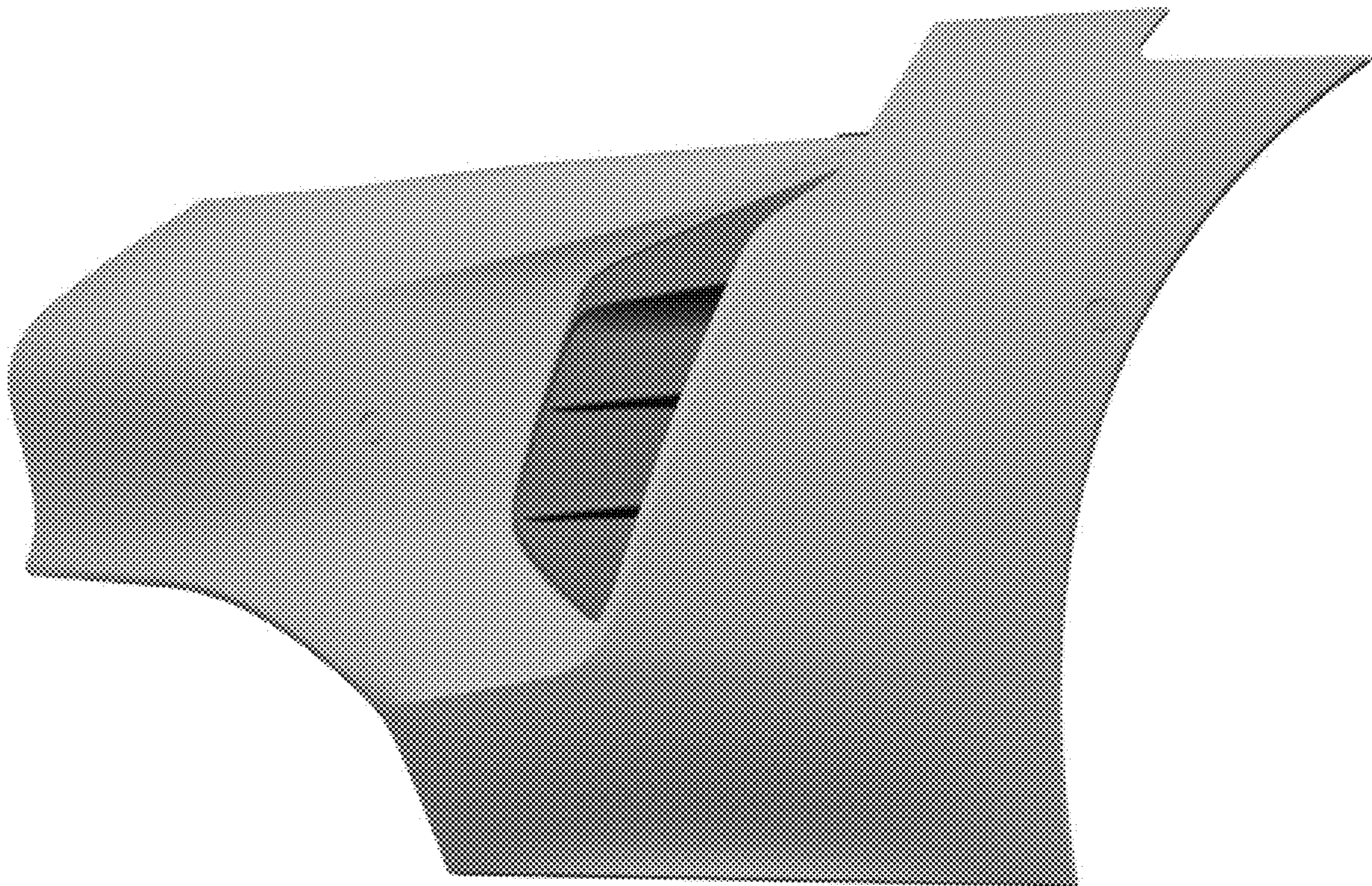


FIG. 5

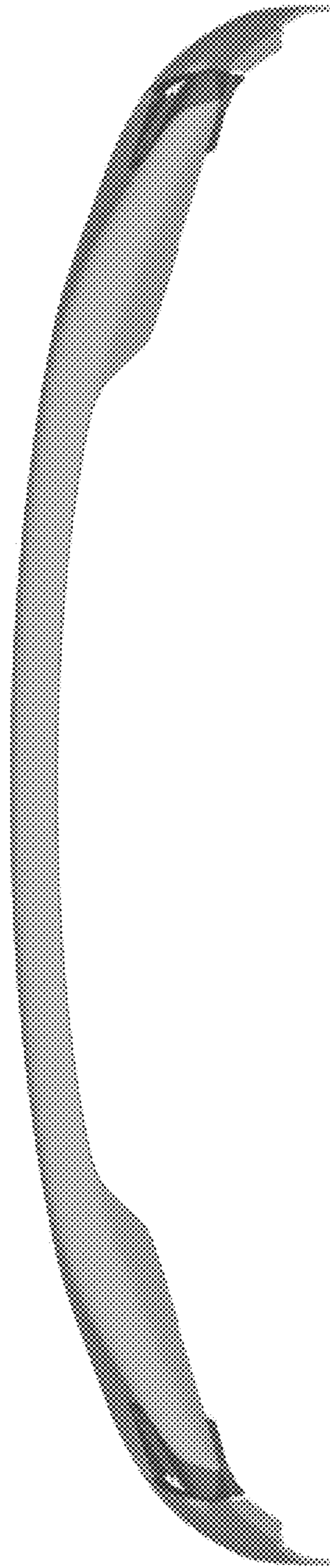


FIG. 6

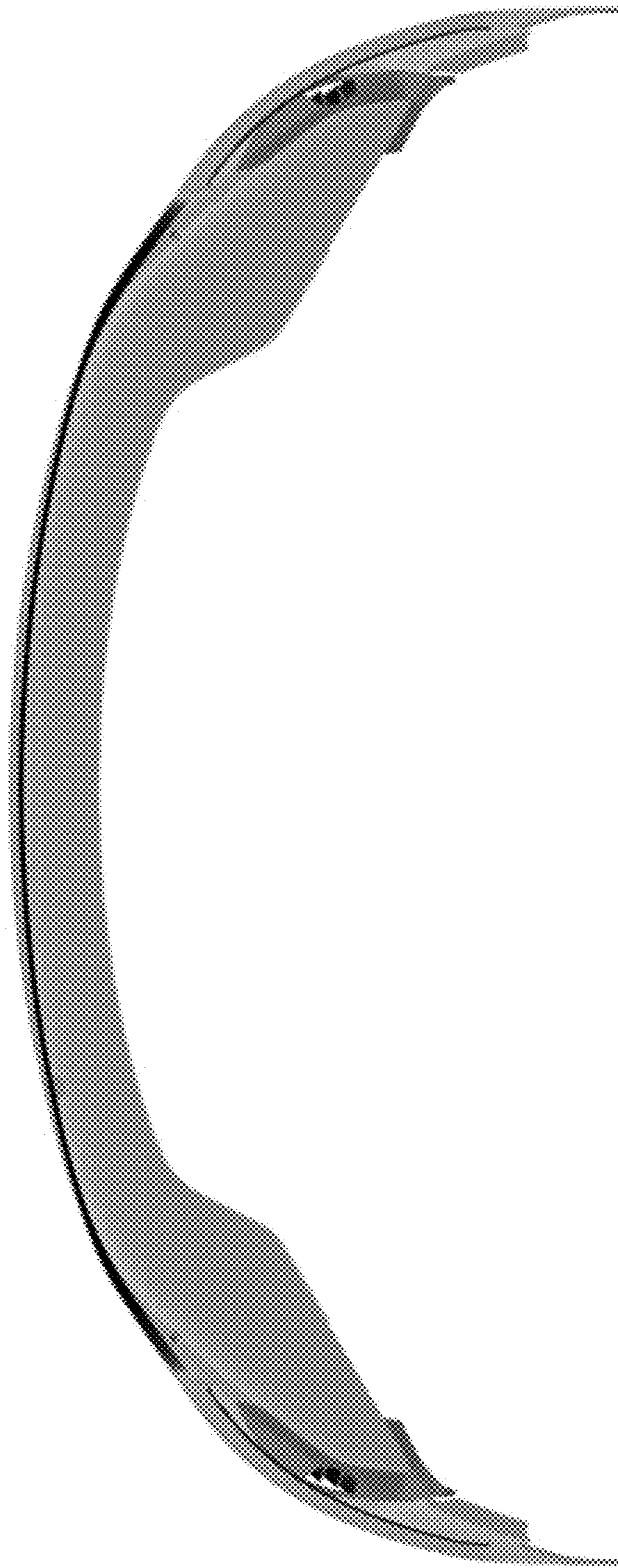


FIG. 7