



US00D922267S

(12) **United States Design Patent** (10) **Patent No.:** **US D922,267 S**
Kaoud et al. (45) **Date of Patent:** **** Jun. 15, 2021**

(54) **VEHICLE FRONT UPPER GRILLE**
(71) Applicant: **Ford Global Technologies, LLC**,
Dearborn, MI (US)
(72) Inventors: **Ehab N. Kaoud**, Livonia, MI (US);
William K. Moore, West Bloomfield,
MI (US); **David Root**, Wyandotte, MI
(US)
(73) Assignee: **Ford Global Technologies, LLC**,
Dearborn, MI (US)
(**) Term: **15 Years**
(21) Appl. No.: **29/723,976**
(22) Filed: **Feb. 12, 2020**
(51) **LOC (13) Cl.** **12-16**
(52) **U.S. Cl.**
USPC **D12/163**
(58) **Field of Classification Search**
USPC D12/169, 196, 86, 90-92, 163, 190, 98,
D12/164; 293/102, 113, 115, 117, 120,
293/193.11; 296/180.1, 180.2; 180/68.1,
180/68.6
CPC B60R 19/52; B60K 11/08; B62D 25/08;
B62B 9/16
See application file for complete search history.

D775,001 S * 12/2016 Platto D12/163
D775,002 S * 12/2016 Platto D12/163
D822,547 S * 7/2018 Platto D12/163
D822,548 S * 7/2018 Platto D12/163
D822,549 S 7/2018 Platto
D823,180 S * 7/2018 Platto D12/163
D840,283 S * 2/2019 Platto D12/163
D840,284 S 2/2019 Platto
D853,899 S * 7/2019 Dewitt D12/163
D853,900 S * 7/2019 Dewitt D12/163
D860,071 S * 9/2019 Dewitt D12/163
D887,318 S * 6/2020 Platto D12/163
D899,313 S * 10/2020 Dewitt D12/98
D899,314 S * 10/2020 Dewitt D12/98
D899,315 S * 10/2020 Dewitt D12/98
D899,316 S * 10/2020 Dewitt D12/98
D910,503 S * 2/2021 Battams D12/163
D911,882 S * 3/2021 Patel D12/163

(Continued)

Primary Examiner — Melody N Brown
(74) *Attorney, Agent, or Firm* — Michael Spenner

(57) **CLAIM**

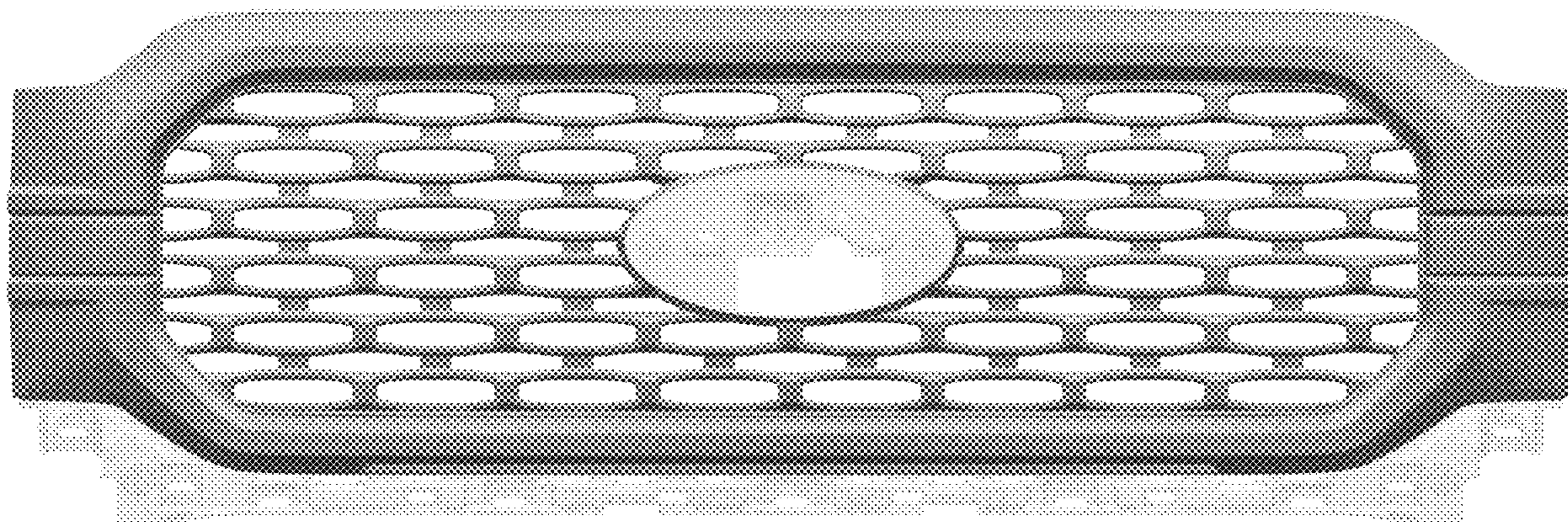
The ornamental design for a vehicle front upper grille, as shown and described.

DESCRIPTION

FIG. 1 is a front elevational view of a vehicle front upper grille, showing our new design;
FIG. 2 is a left side elevational view thereof;
FIG. 3 is a right side elevational view thereof;
FIG. 4 is a top plan view thereof;
FIG. 5 is a bottom plan view thereof;
FIG. 6 is a top, front and left side perspective view thereof;
and,
FIG. 7 is a bottom, front and left side perspective view thereof.
The claimed design is indicated by the relatively dark portions in the figures. The de-emphasized and relatively light portions form no part of the claimed design.

1 Claim, 7 Drawing Sheets

(56) **References Cited**
U.S. PATENT DOCUMENTS
D533,485 S 12/2006 Schiavone
D560,568 S 1/2008 Tant
D606,460 S 12/2009 Richards
D607,786 S 1/2010 Golden
D607,787 S 1/2010 Golden
D685,696 S 7/2013 Platto
D735,623 S 8/2015 Platto
D769,160 S 10/2016 Platto
D775,000 S * 12/2016 Platto D12/163



(56)

References Cited

U.S. PATENT DOCUMENTS

D912,583 S * 3/2021 Wheel D12/163
D913,163 S * 3/2021 Kaoud D12/98

* cited by examiner

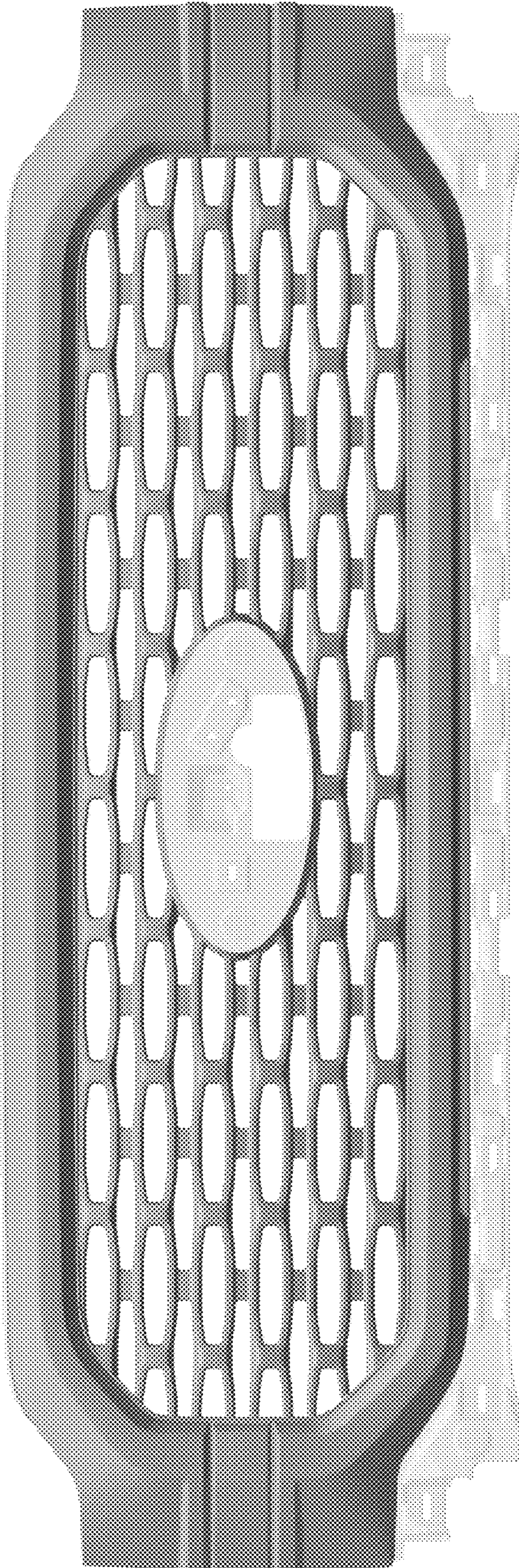


Fig.1

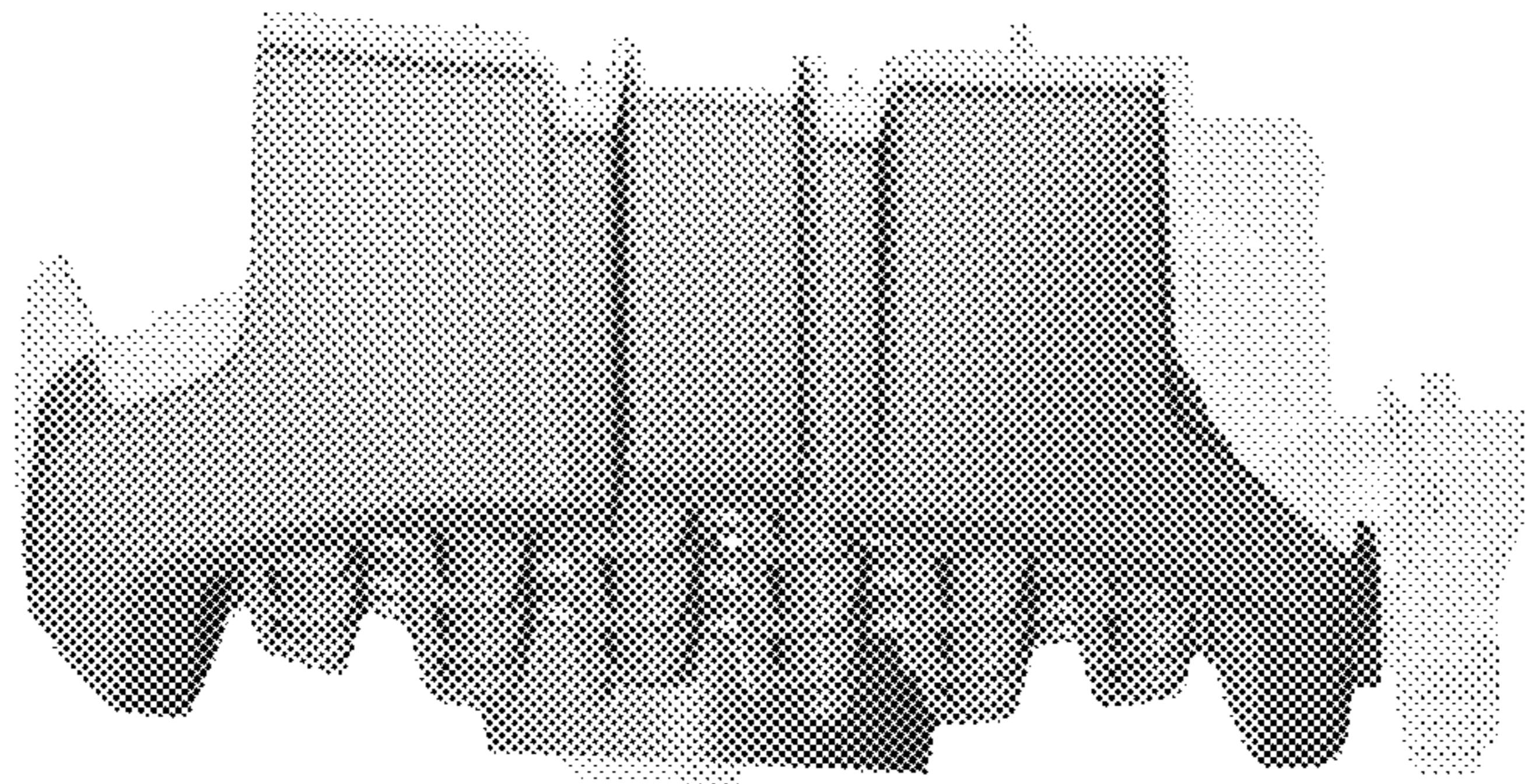


Fig. 2

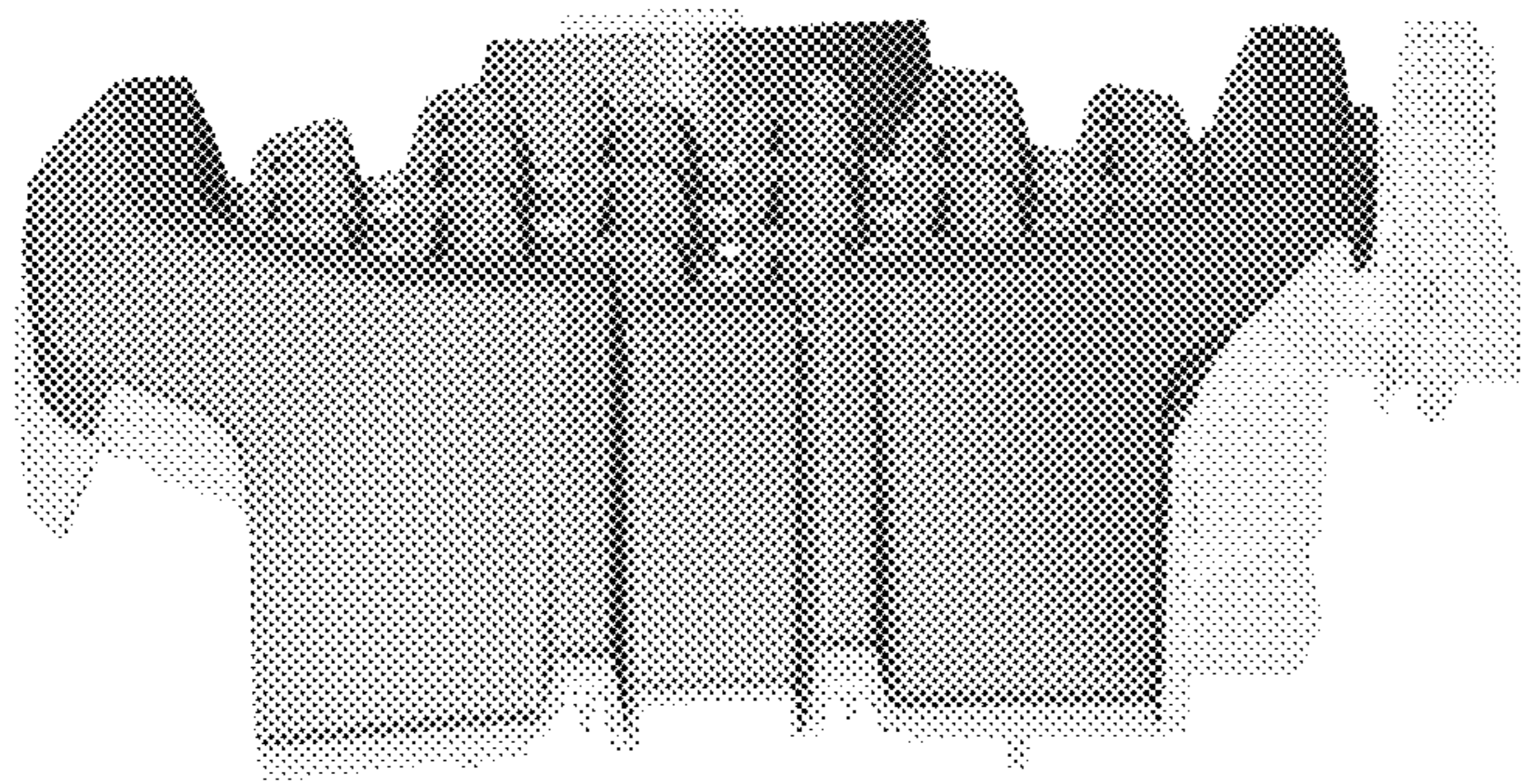


Fig. 3

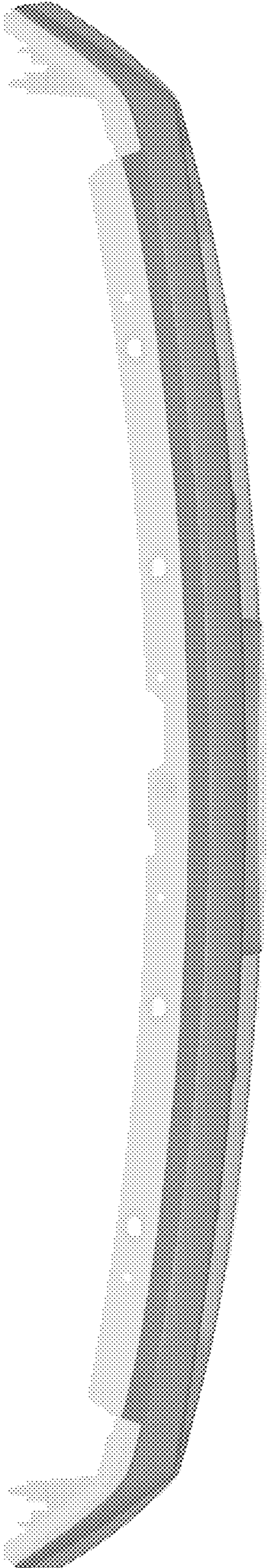


Fig.4

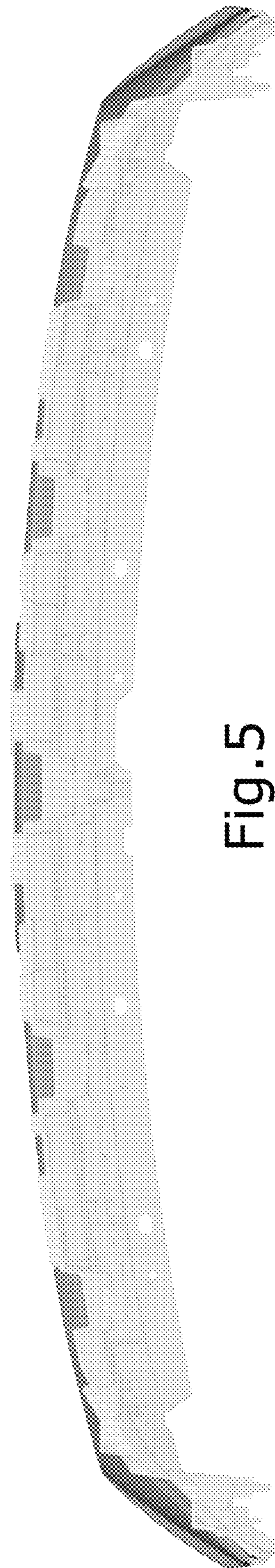


Fig. 5

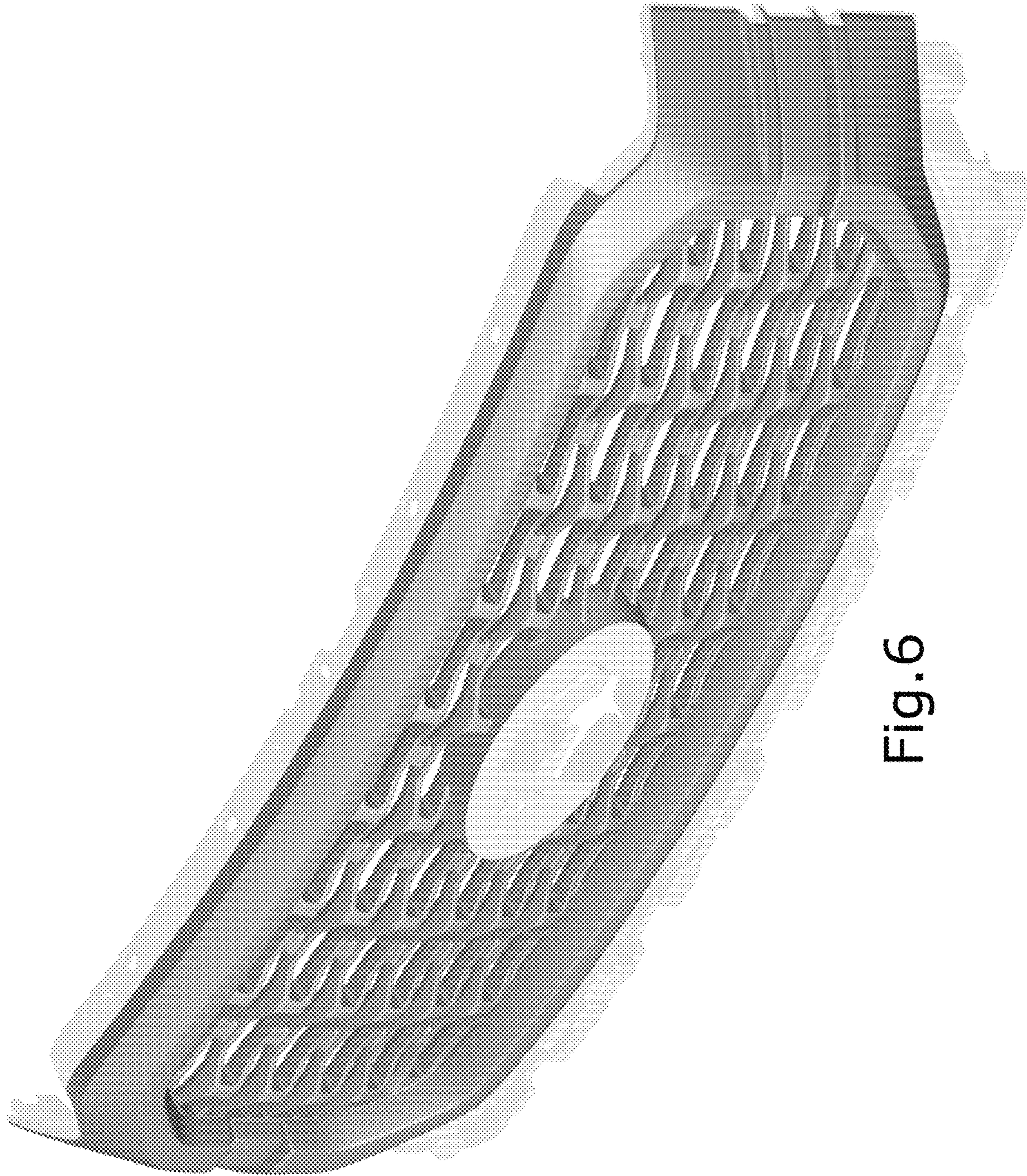


Fig. 6

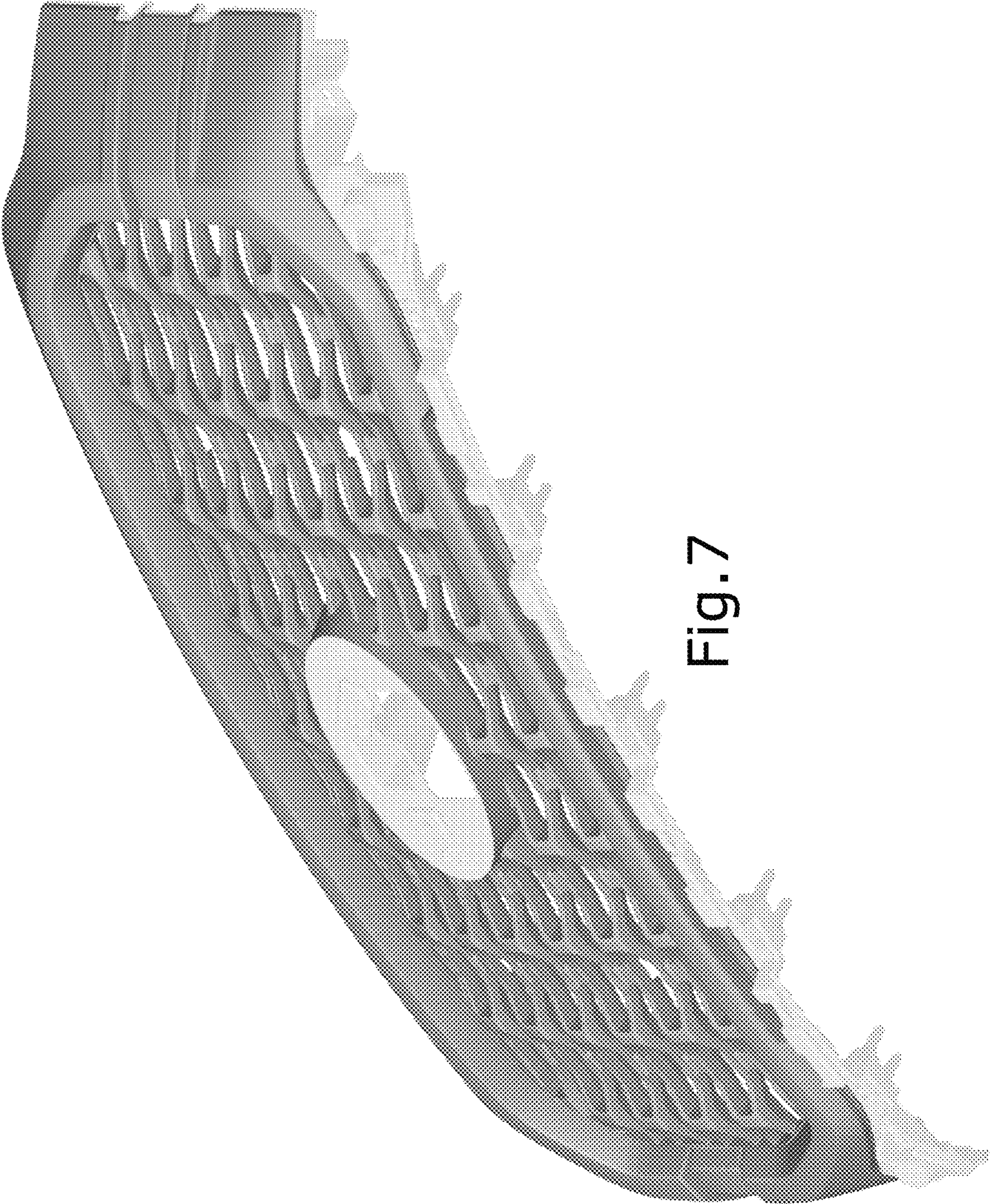


Fig. 7