



US00D922265S

(12) **United States Design Patent**
Han

(10) **Patent No.:** **US D922,265 S**

(45) **Date of Patent:** **** Jun. 15, 2021**

- (54) **TRAILER COUPLING PART**
- (71) Applicant: **Seung Yong Han**, Incheon (KR)
- (72) Inventor: **Seung Yong Han**, Incheon (KR)
- (**) Term: **15 Years**
- (21) Appl. No.: **29/735,656**
- (22) Filed: **May 22, 2020**
- (51) **LOC (13) Cl.** **12-16**
- (52) **U.S. Cl.**
USPC **D12/162**
- (58) **Field of Classification Search**
USPC D12/159-162
CPC . B60D 1/60; B60D 1/065; B60D 1/00; B60D
1/06; B60D 1/36
See application file for complete search history.

D890,636 S *	7/2020	Sanborn	D12/162
D894,800 S *	9/2020	Noel	D12/162
D897,245 S *	9/2020	Borkholder	D12/162
D897,246 S *	9/2020	Giddens	D12/162
D898,628 S *	10/2020	Sagen	D12/162
D907,537 S *	1/2021	Goodner	D12/162
D909,922 S *	2/2021	Siegel	D12/162

* cited by examiner

Primary Examiner — Katrina A Betton
(74) *Attorney, Agent, or Firm* — IPLA P.A.; James E. Bame

(57) **CLAIM**

The ornamental design for a trailer coupling part, as shown and described.

DESCRIPTION

FIG. 1. is a perspective view of a trailer coupling part, showing my new design;
FIG. 2 is a front elevation view thereof;
FIG. 3 is a rear elevation view thereof;
FIG. 4 is a left side elevation view thereof;
FIG. 5 is a right side elevation view thereof;
FIG. 6 is a top plan view thereof; and,
FIG. 7 is a bottom plan view thereof.

(56) **References Cited**

U.S. PATENT DOCUMENTS

D867,228 S *	11/2019	DePietro	D12/162
D873,724 S *	1/2020	Borkholder	D12/162
D879,670 S *	3/2020	Borkholder	D12/162
D887,910 S *	6/2020	Noel	D12/162

1 Claim, 7 Drawing Sheets

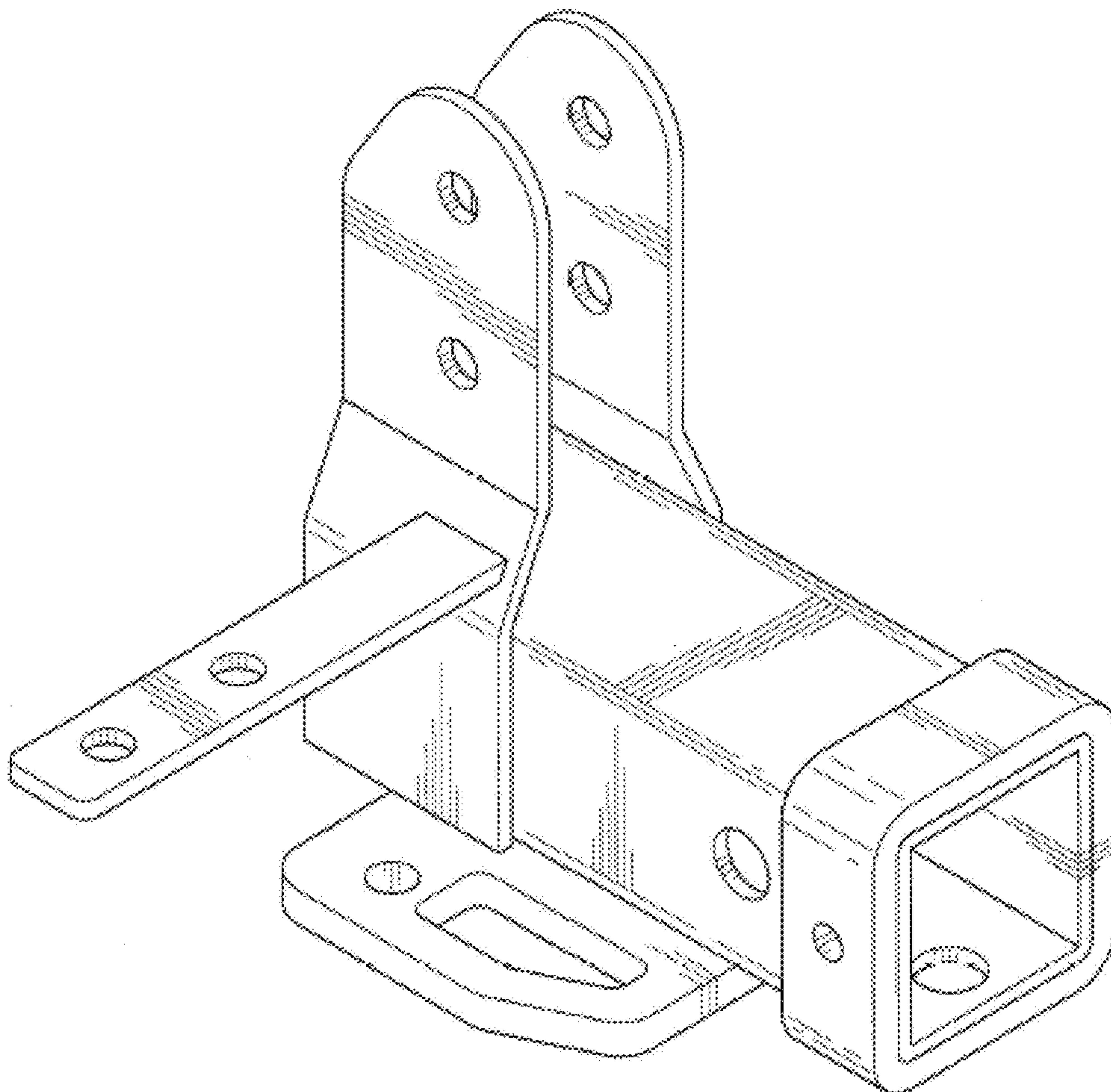


FIG. 1

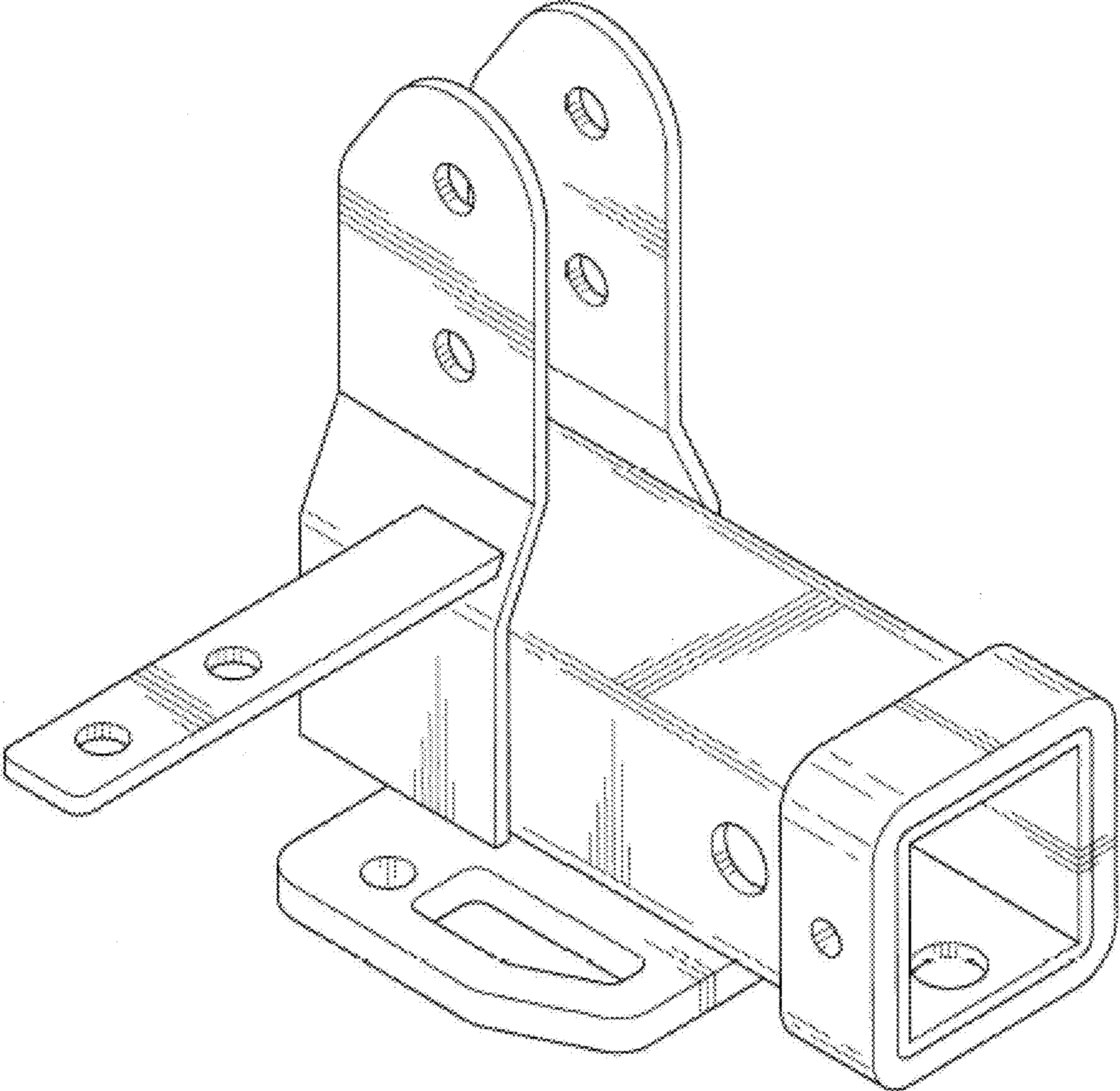


FIG. 2

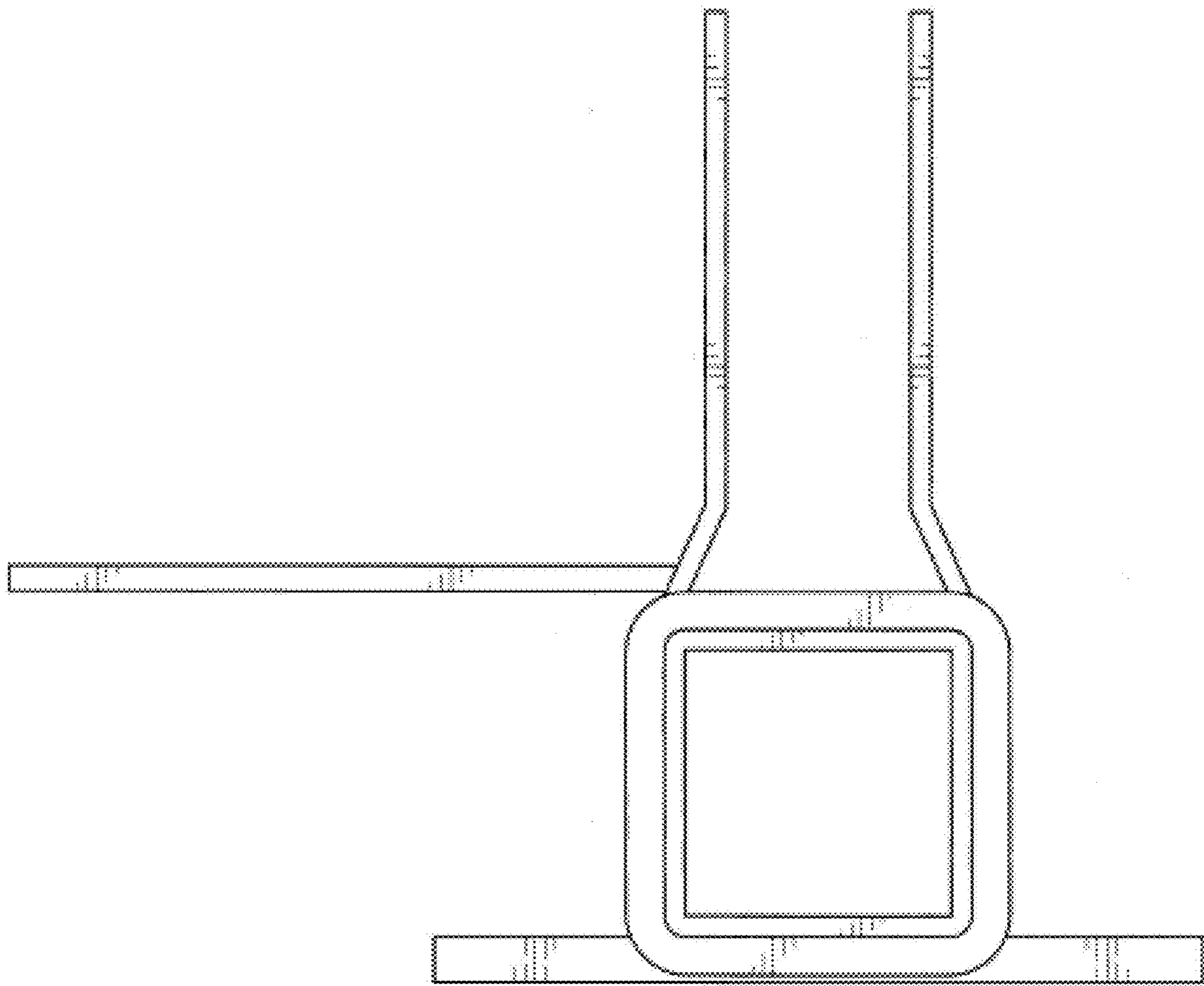


FIG. 3

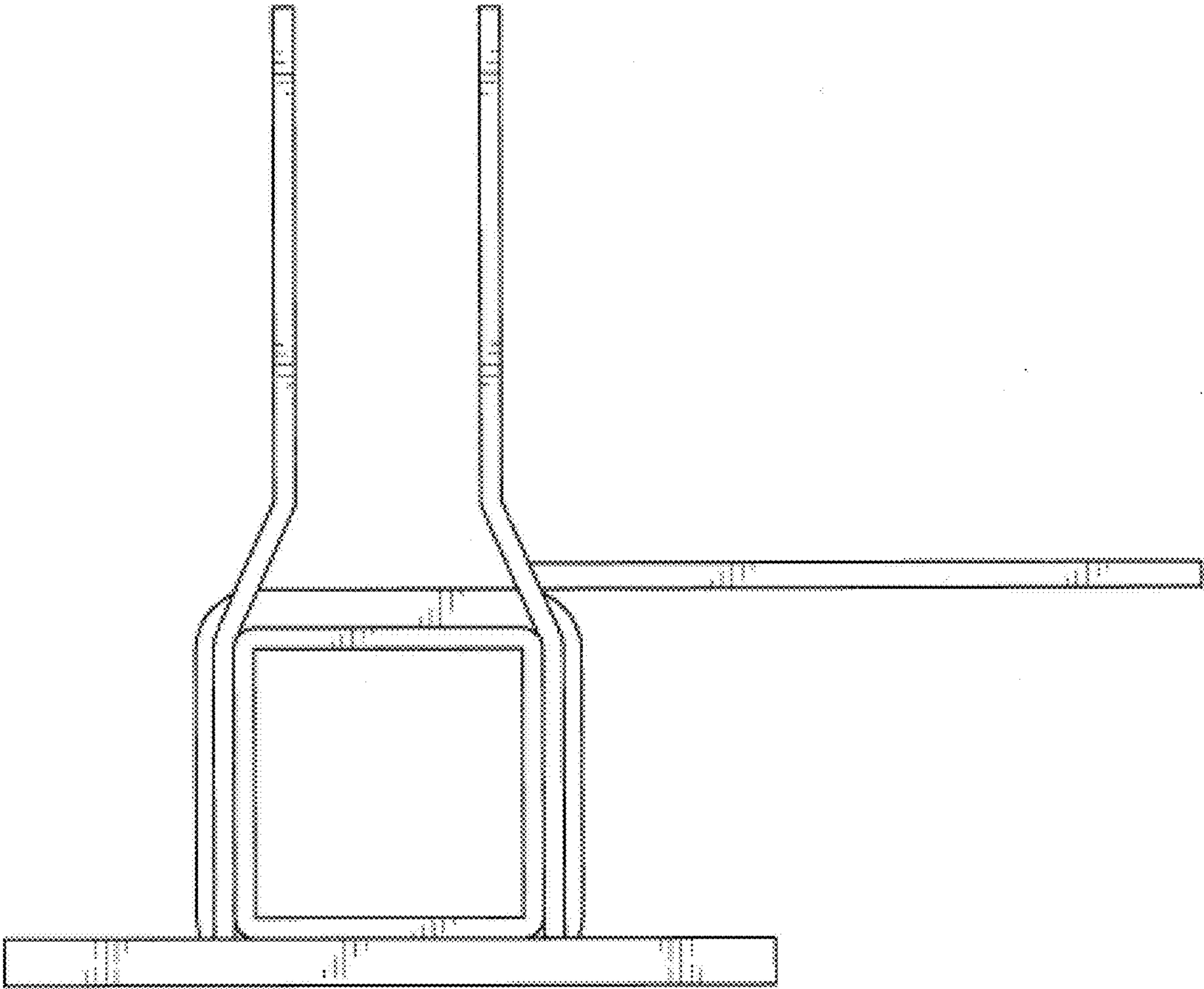


FIG. 4

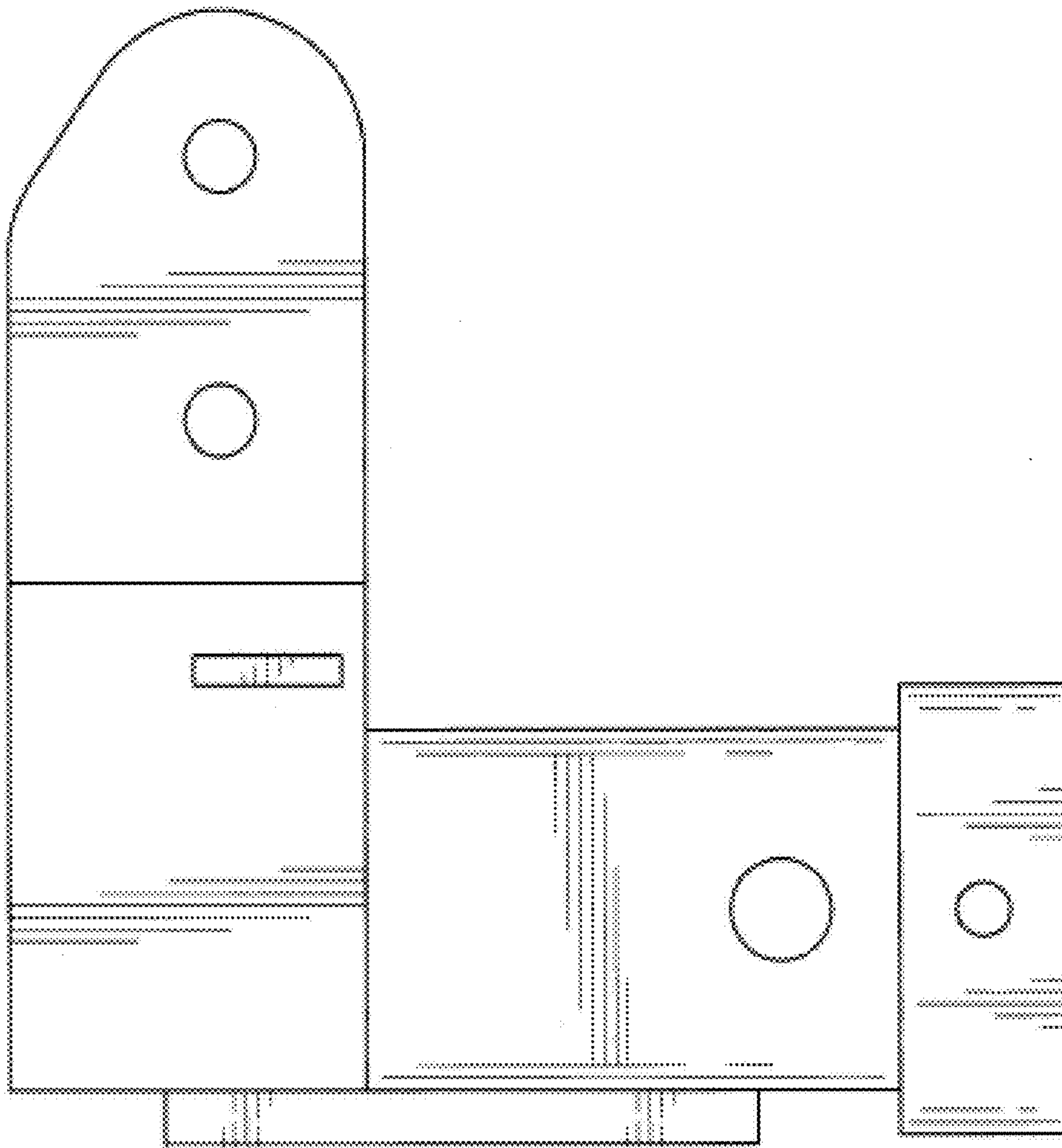


FIG. 5

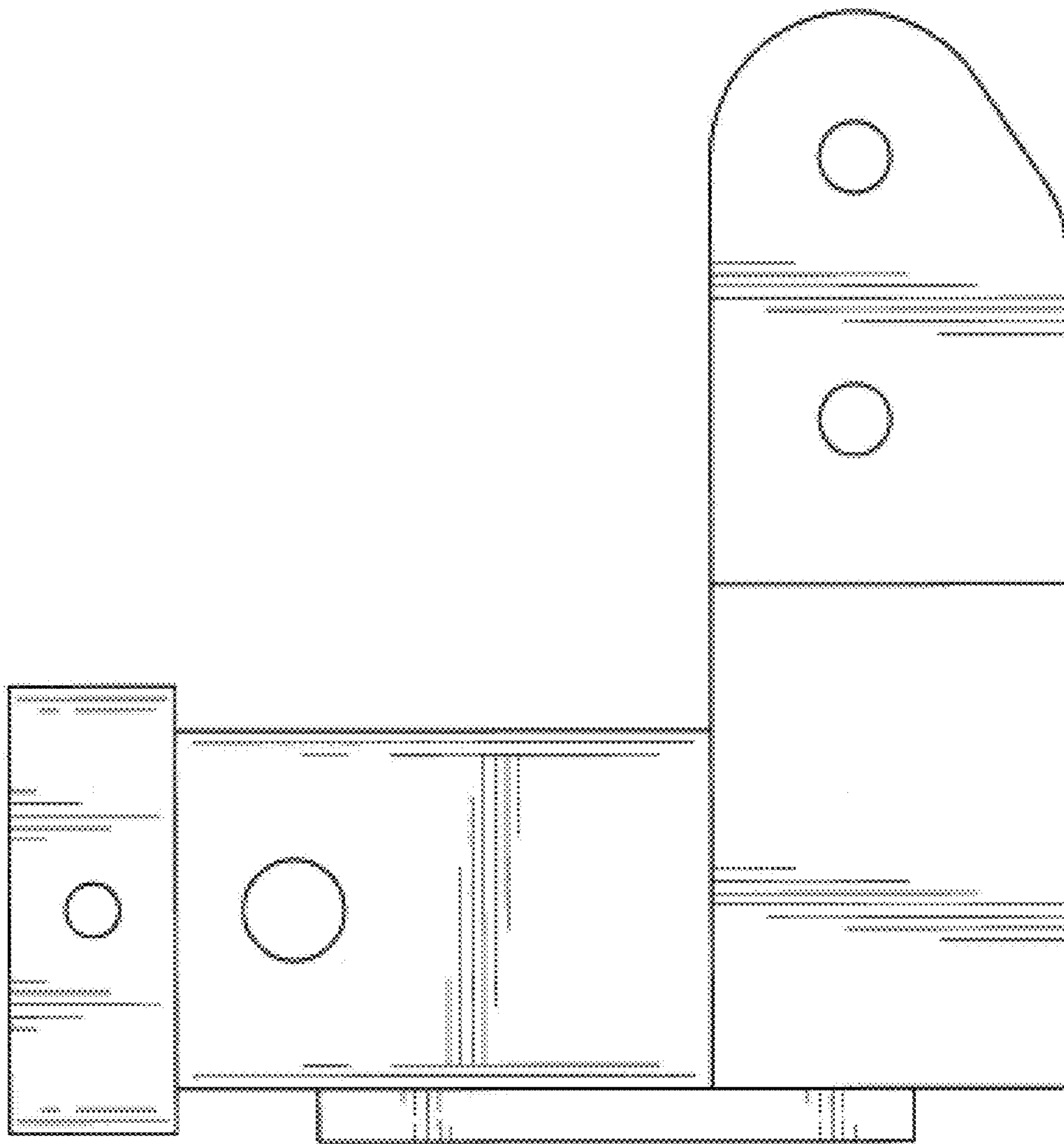


FIG. 6

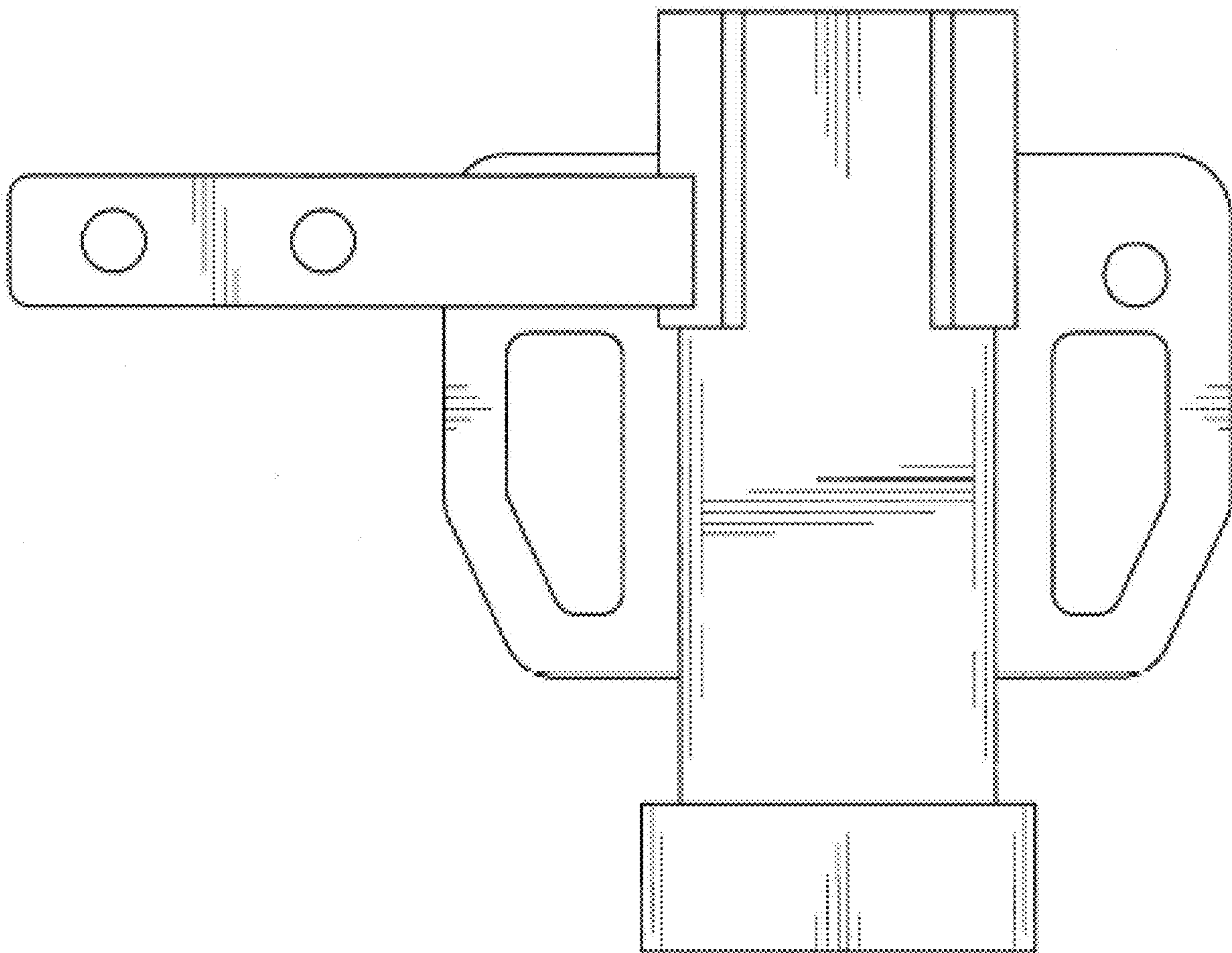


FIG. 7

