



US00D922264S

(12) **United States Design Patent**  
**Han**

(10) **Patent No.:** **US D922,264 S**

(45) **Date of Patent:** **\*\* Jun. 15, 2021**

(54) **TRAILER COUPLING PART**

(71) Applicant: **Seung Yong Han**, Incheon (KR)

(72) Inventor: **Seung Yong Han**, Incheon (KR)

(\*\*) Term: **15 Years**

(21) Appl. No.: **29/735,654**

(22) Filed: **May 22, 2020**

(51) **LOC (13) Cl.** ..... **12-16**

(52) **U.S. Cl.**  
USPC ..... **D12/162**

(58) **Field of Classification Search**  
USPC ..... D12/159-162  
CPC . B60D 1/60; B60D 1/065; B60D 1/00; B60D  
1/06; B60D 1/36  
See application file for complete search history.

(56) **References Cited**

**U.S. PATENT DOCUMENTS**

D867,228 S *	11/2019	DePietro .....	D12/162
D873,724 S *	1/2020	Borkholder .....	D12/162
D879,670 S *	3/2020	Borkholder .....	D12/162
D887,910 S *	6/2020	Noel .....	D12/162

D890,636 S *	7/2020	Sanborn .....	D12/162
D894,800 S *	9/2020	Noel .....	D12/162
D897,245 S *	9/2020	Borkholder .....	D12/162
D897,246 S *	9/2020	Giddens .....	D12/162
D898,628 S *	10/2020	Sagen .....	D12/162
D907,537 S *	1/2021	Goodner .....	D12/162
D909,922 S *	2/2021	Siegel .....	D12/162

\* cited by examiner

*Primary Examiner* — Katrina A Betton

(74) *Attorney, Agent, or Firm* — IPLA P.A.; James E. Bame

(57) **CLAIM**

The ornamental design for a trailer coupling part, as shown and described.

**DESCRIPTION**

FIG. 1 Is a perspective view of a trailer coupling part, showing my new design;  
FIG. 2 is a front elevation view thereof;  
FIG. 3 is a rear elevation view thereof;  
FIG. 4 is a left side elevation view thereof;  
FIG. 5 is a right side elevation view thereof;  
FIG. 6 is a top plan view thereof; and,  
FIG. 7 is a bottom plan view thereof.

**1 Claim, 7 Drawing Sheets**

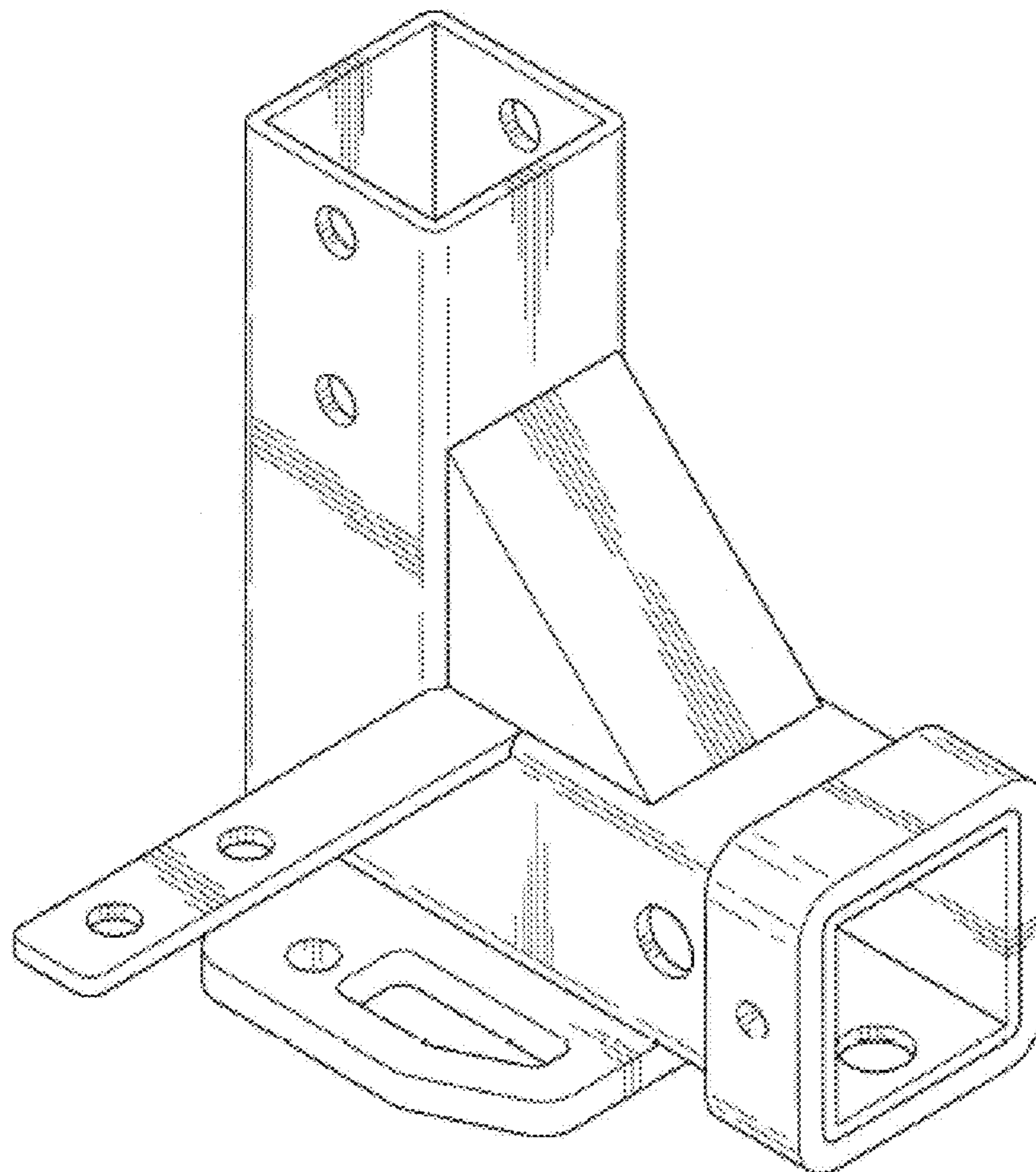


FIG. 1

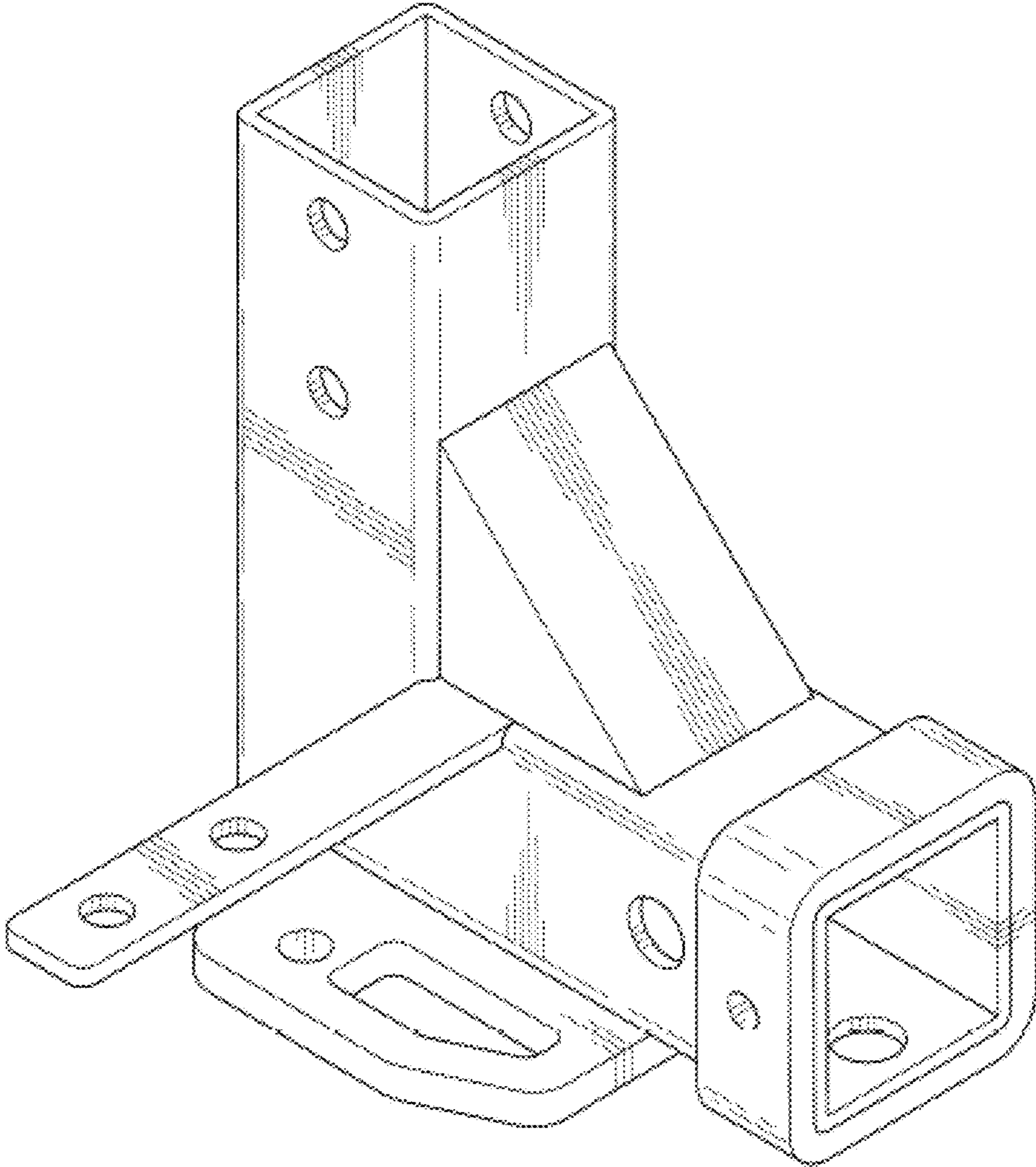


FIG. 2

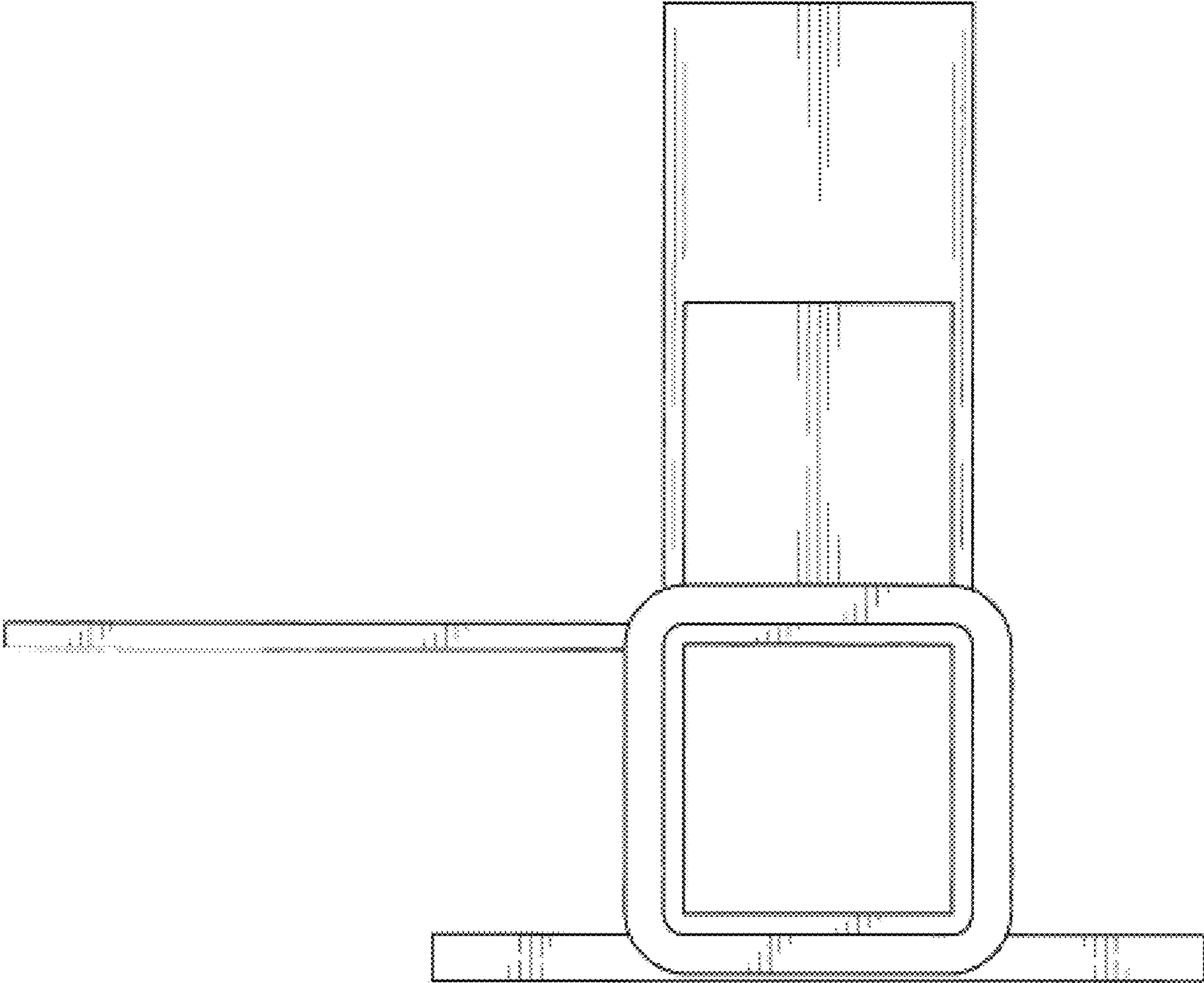


FIG. 3

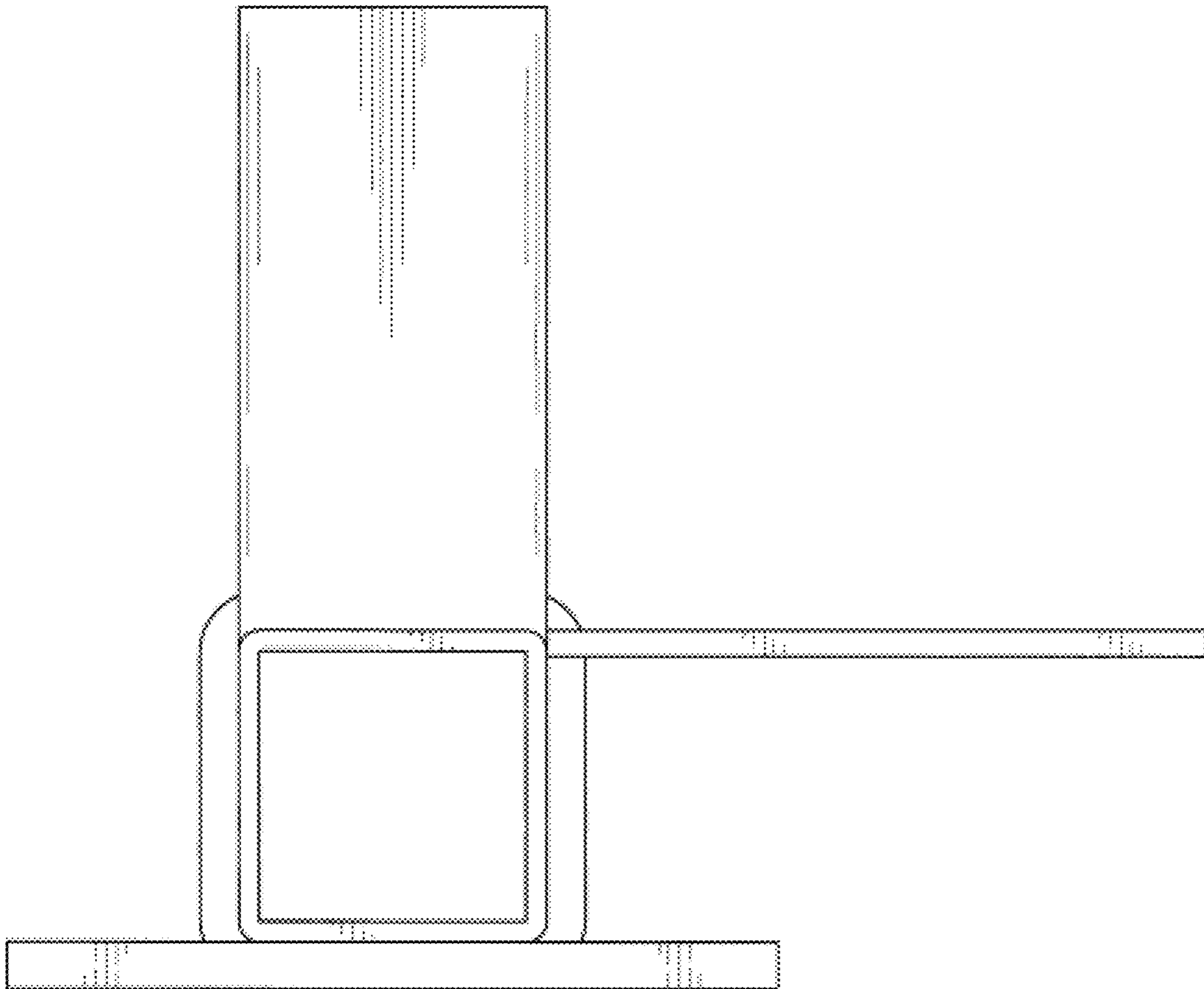


FIG. 4

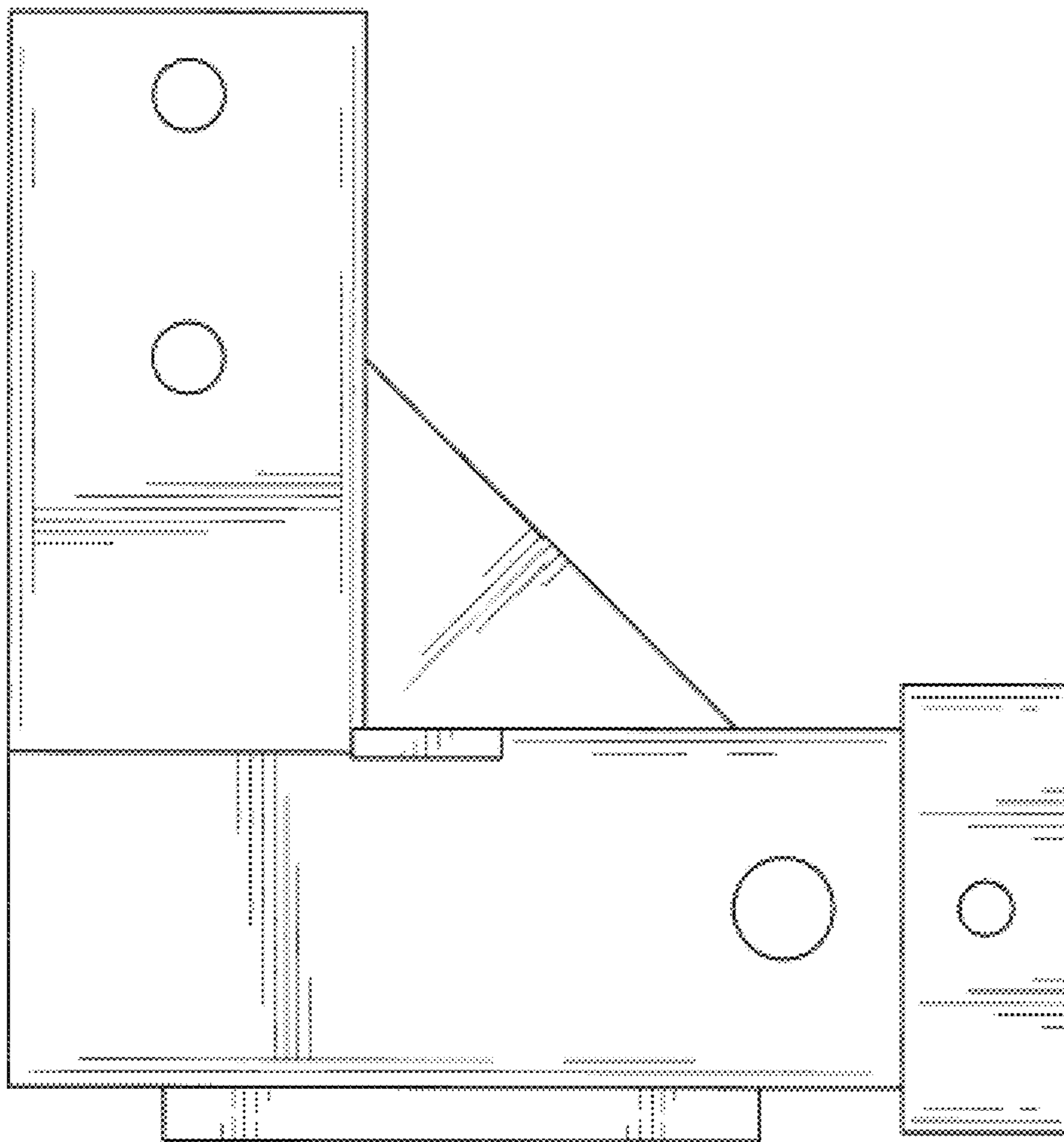




FIG. 5

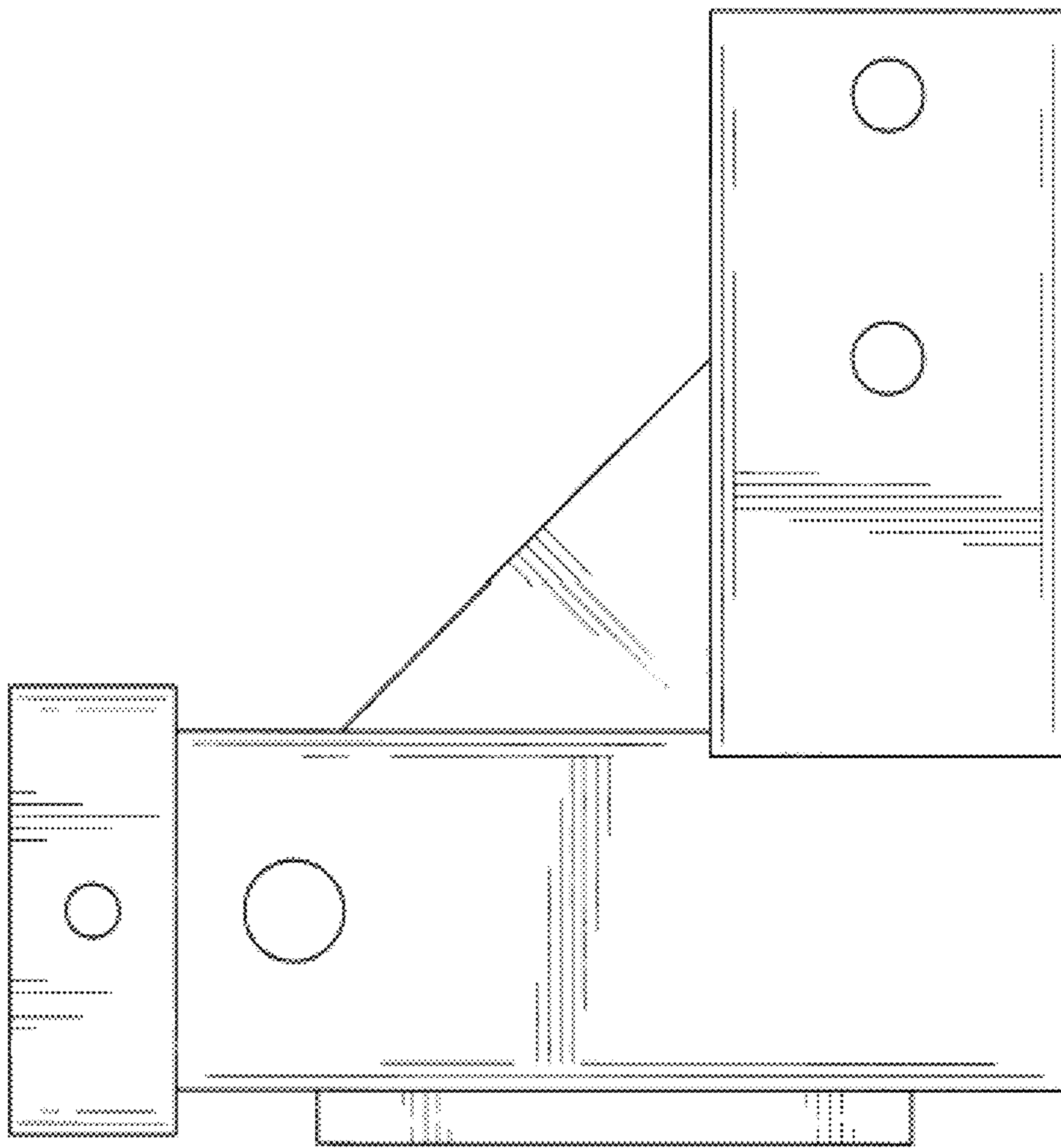


FIG. 6

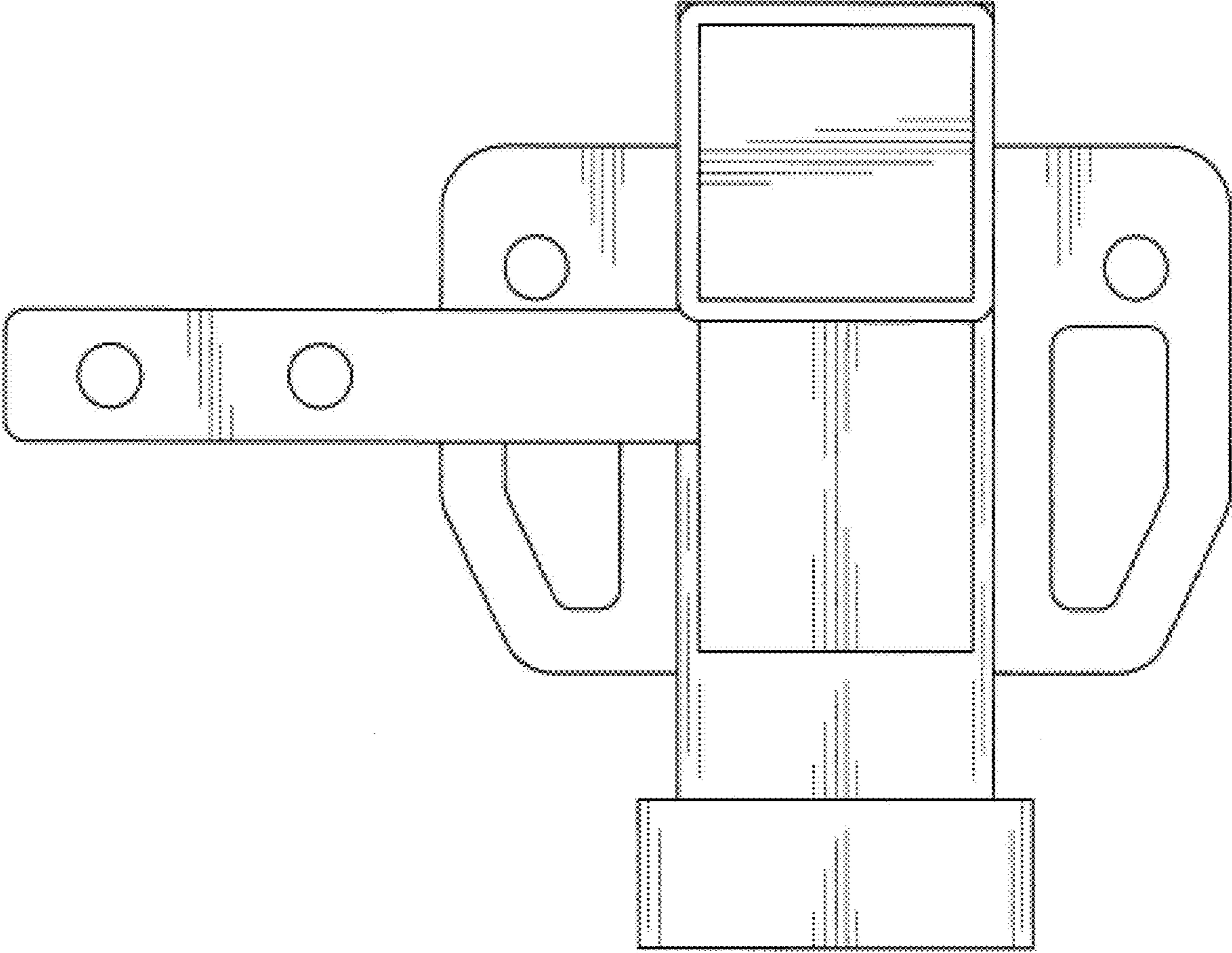


FIG. 7

