



US00D922262S

(12) **United States Design Patent**
McCuskey

(10) **Patent No.:** **US D922,262 S**

(45) **Date of Patent:** **** *Jun. 15, 2021**

(54) **DROP DOWN TRAILER HITCH III**

D857,565 S * 8/2019 McCuskey D12/162
D862,306 S * 10/2019 Porath B60D 1/605

(71) Applicant: **Scott McCuskey**, Boardman, OH (US)

D12/162

(72) Inventor: **Scott McCuskey**, Boardman, OH (US)

D862,308 S * 10/2019 Siegel D12/162

(*) Notice: This patent is subject to a terminal disclaimer.

D873,723 S * 1/2020 Borkholder D12/162

D876,290 S * 2/2020 Kirkland D12/162

D881,078 S * 4/2020 Rebick D12/162

D890,637 S * 7/2020 McCuskey D12/162

* cited by examiner

(**) Term: **15 Years**

Primary Examiner — Katrina A Betton

(21) Appl. No.: **29/701,903**

(74) *Attorney, Agent, or Firm* — Harpman & Harpman

(22) Filed: **Aug. 15, 2019**

(57) **CLAIM**

(51) **LOC (13) Cl.** **12-16**

The ornamental design for a drop down trailer hitch III, as shown and described.

(52) **U.S. Cl.**

DESCRIPTION

USPC **D12/162**

(58) **Field of Classification Search**

USPC D12/159–162

CPC . B60D 1/60; B60D 1/065; B60D 1/00; B60D 1/06; B60D 1/36

See application file for complete search history.

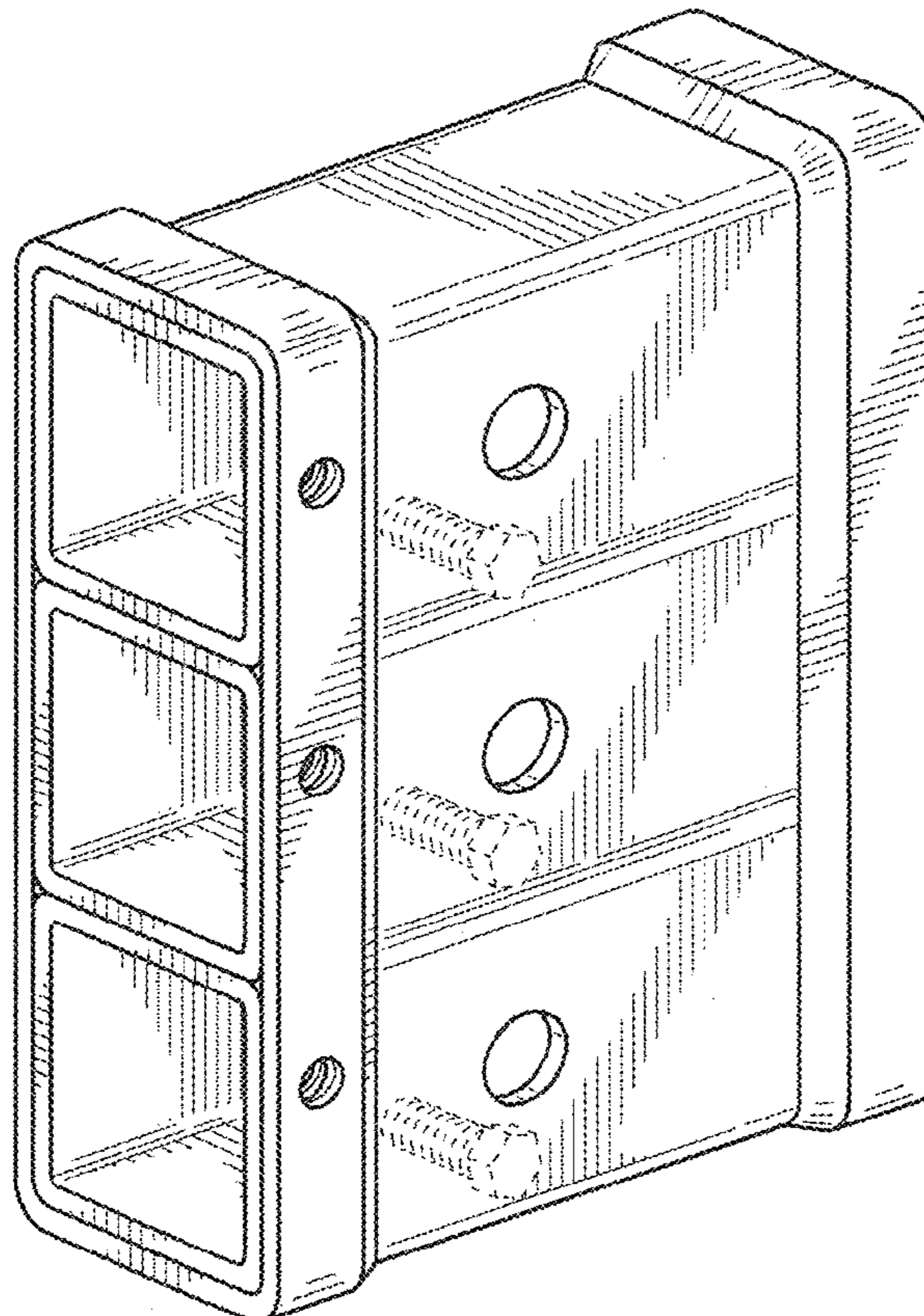
FIG. 1 is a front and right side perspective view of a fixed drop down trailer hitch III showing my new design; FIG. 2 is a right side elevational view thereof; FIG. 3 is a left side elevational view thereof; FIG. 4 is a top plan view thereof; FIG. 5 is a bottom plan view thereof; FIG. 6 is a rear elevational view thereof; FIG. 7 is a front elevational view thereof; and, FIG. 8 is a front and right side perspective view of the fixed drop down trailer hitch III with related environment in broken lines. The broken lines form no part of the claim and are shown only as relatable environment.

(56) **References Cited**

U.S. PATENT DOCUMENTS

- D794,515 S * 8/2017 McCuskey D12/162
- D847,697 S * 5/2019 McCuskey D12/162
- D851,545 S * 6/2019 McCuskey D12/162
- D851,546 S * 6/2019 McCuskey D12/162
- D854,970 S * 7/2019 McCuskey D12/162
- D857,564 S * 8/2019 McCuskey D12/162

1 Claim, 6 Drawing Sheets



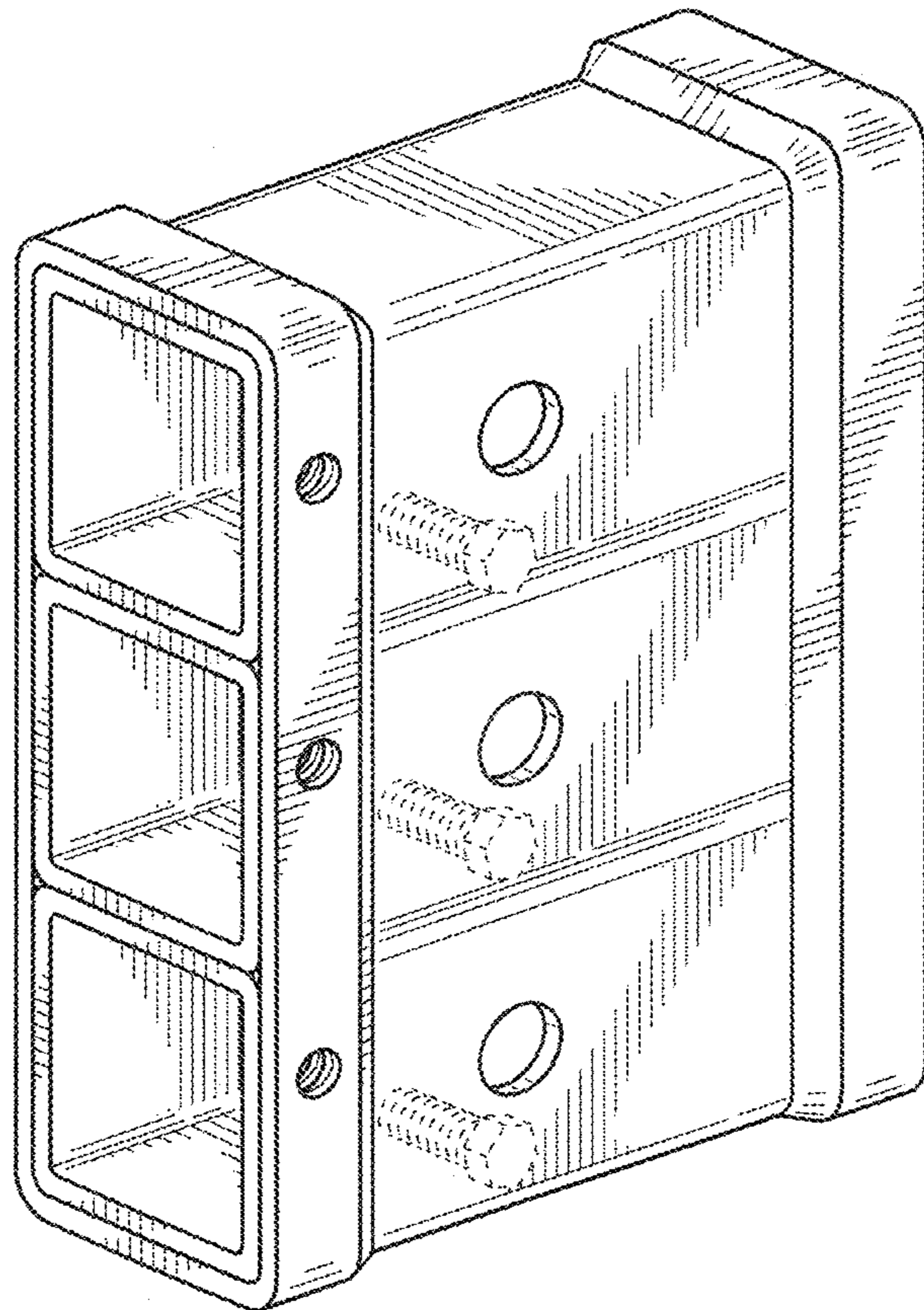


FIG. 1

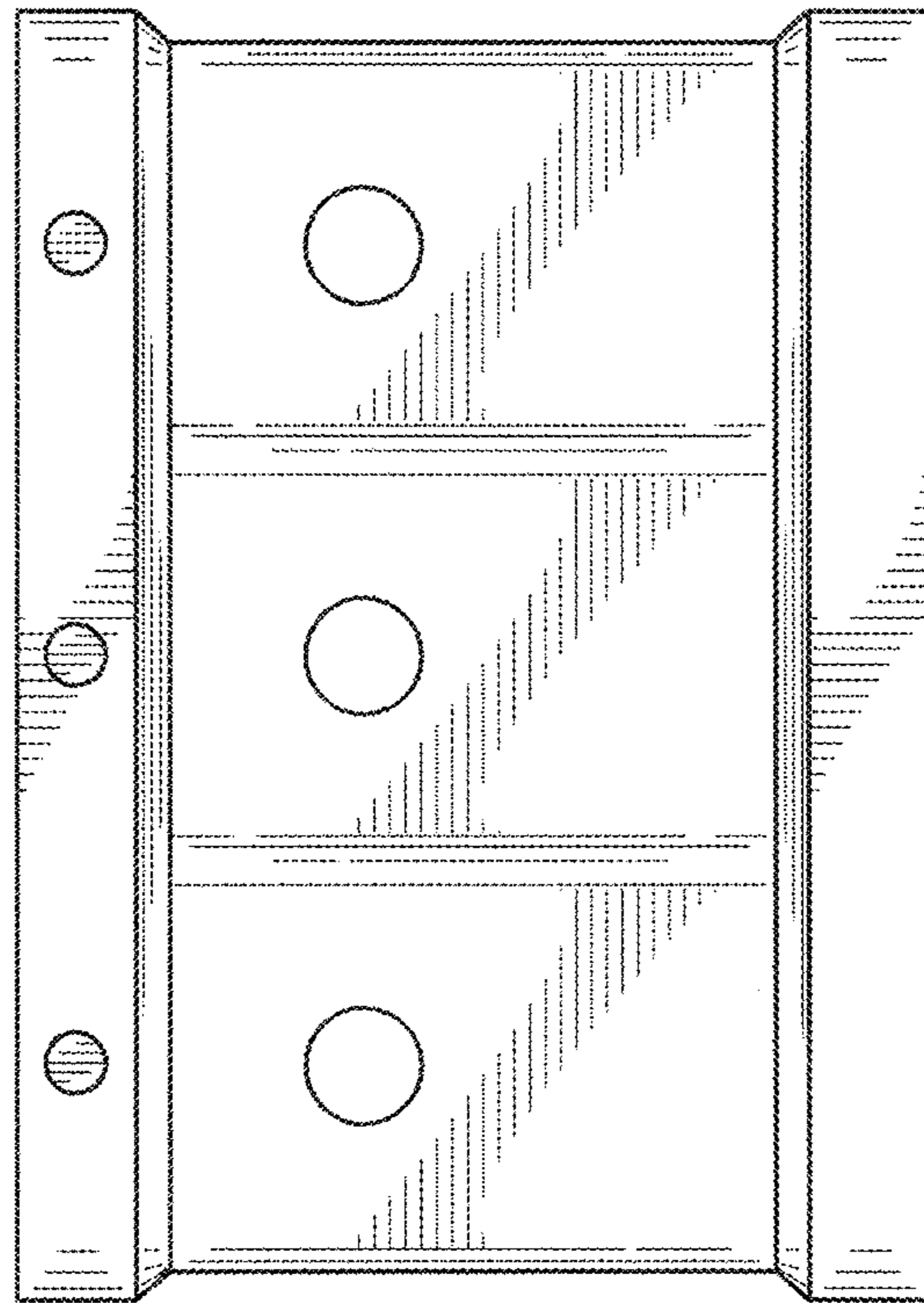


FIG. 2

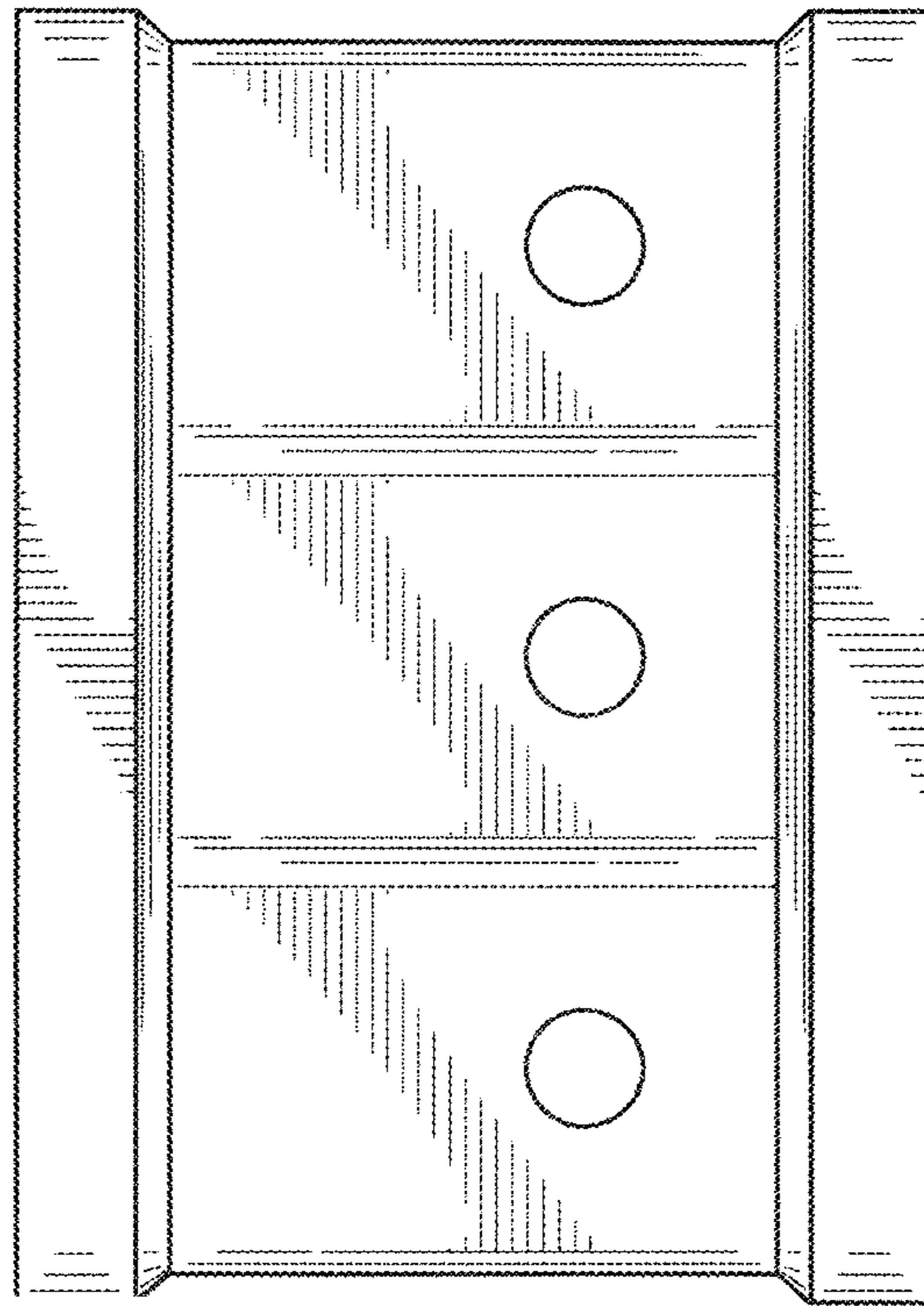


FIG. 3

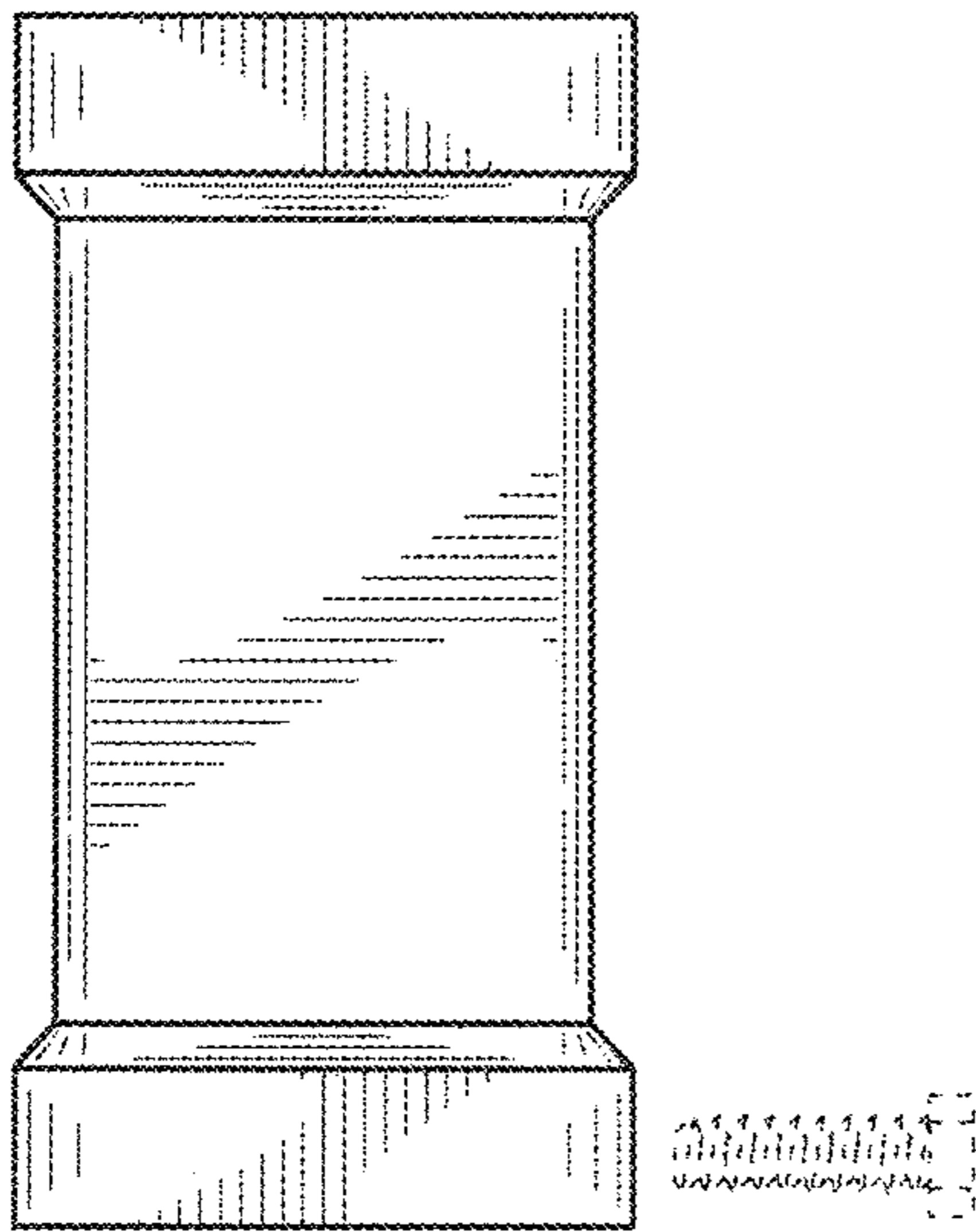


FIG. 4

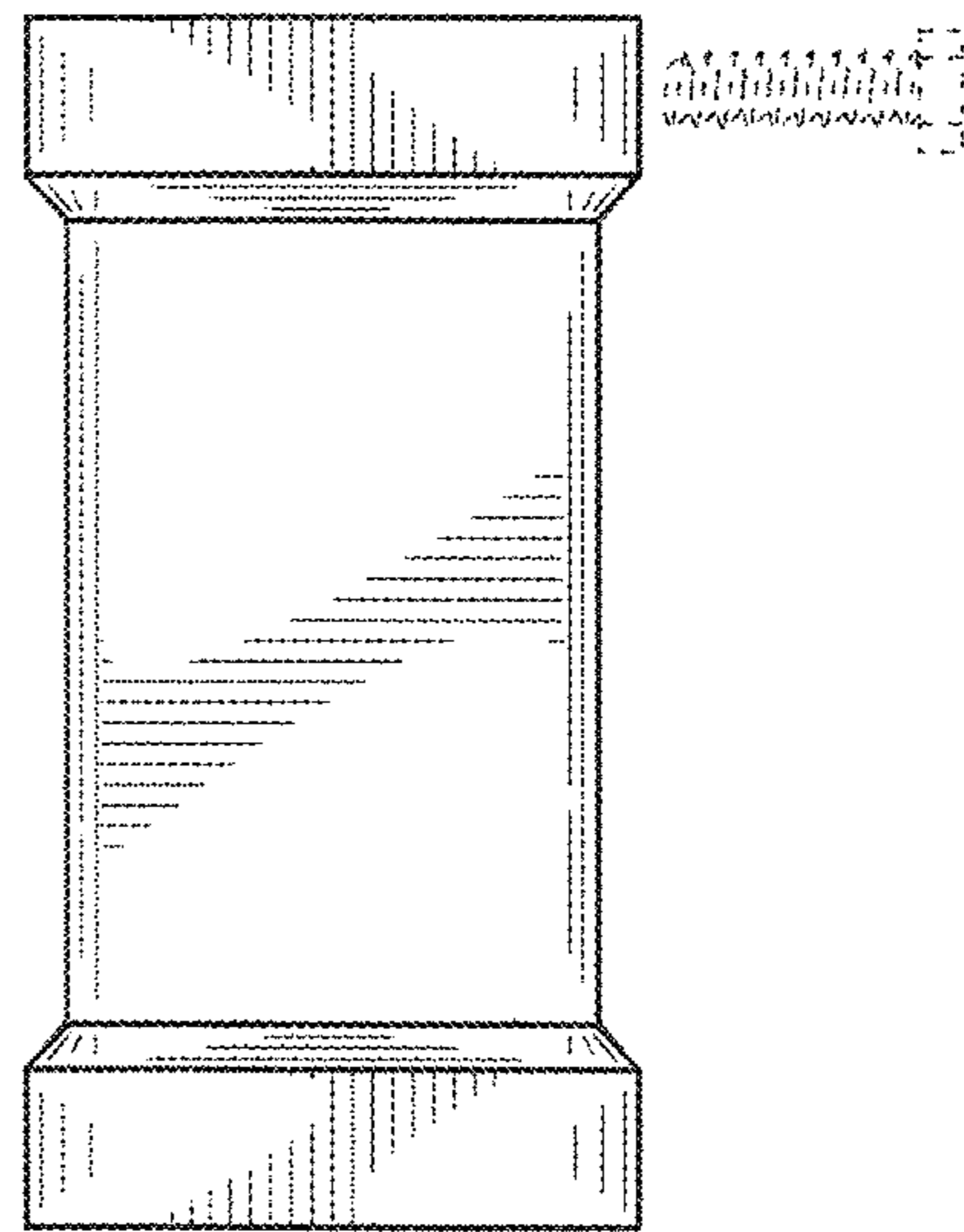


FIG. 5

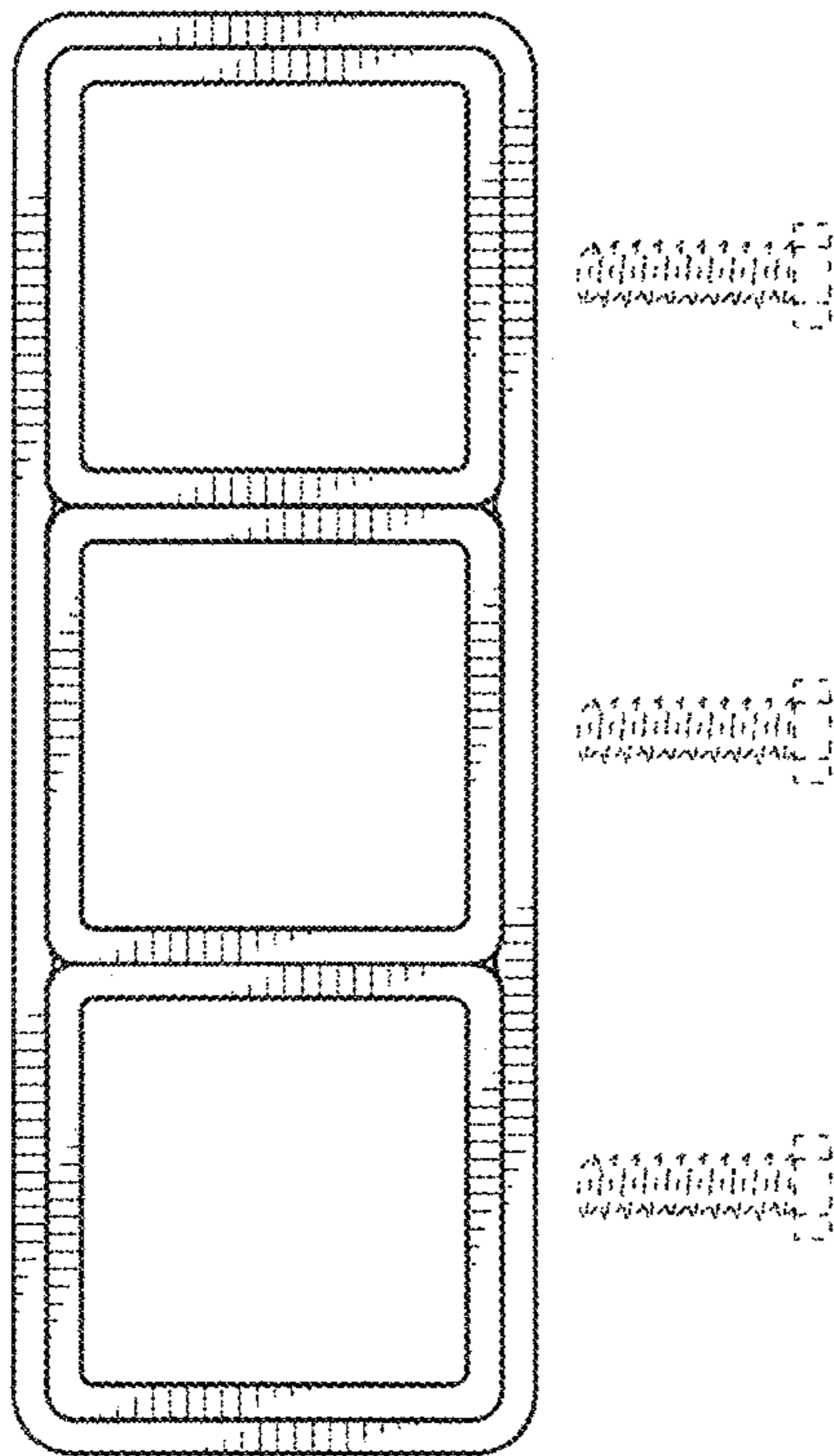


FIG. 6

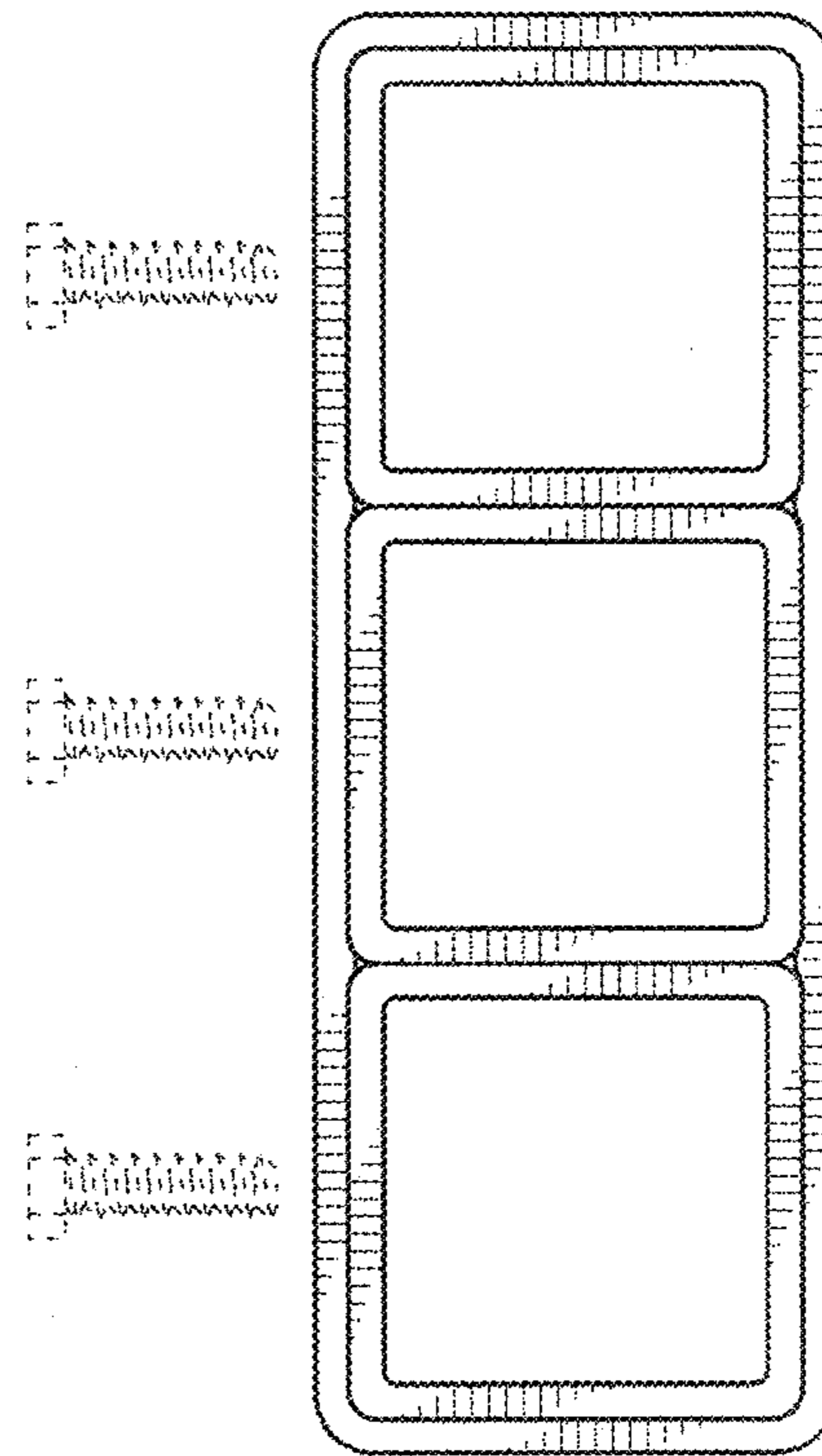


FIG. 7

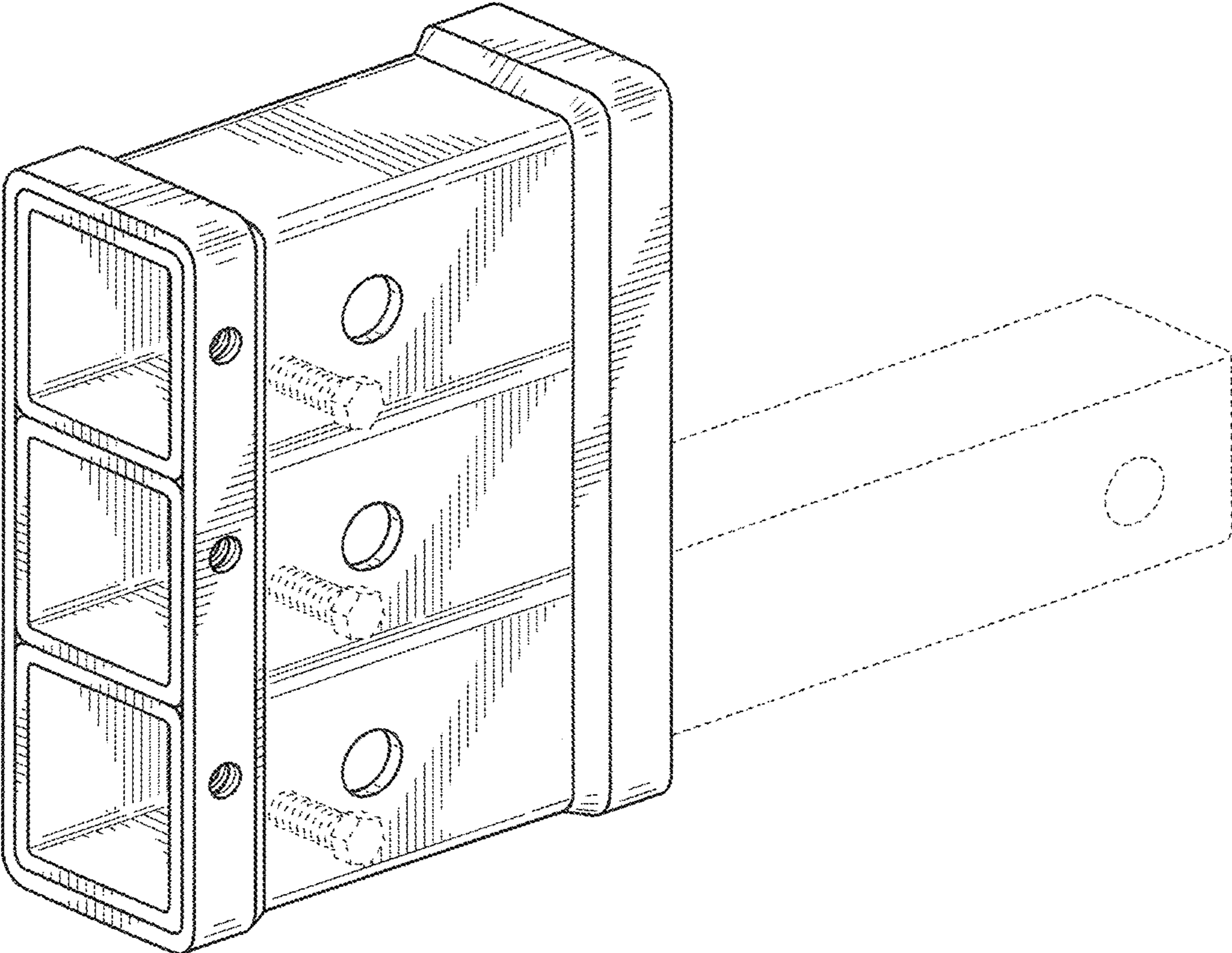


FIG. 8