



US00D922255S

(12) **United States Design Patent**
Brockway et al.

(10) **Patent No.:** **US D922,255 S**
(45) **Date of Patent:** **** Jun. 15, 2021**

- (54) **DUAL RECEPTACLE CARRIER**
- (71) Applicant: **Medline Industries, Inc.**, Northfield, IL (US)
- (72) Inventors: **Todd Brockway**, Vernon Hills, IL (US);
Emily Berman, Park Ridge, IL (US);
Caren Wax, Deerfield, IL (US);
Tambra Martin, Trevor, WI (US);
William Elliott Brooks, Chicago, IL (US);
Robert W. Sheldon, Winnetka, IL (US);
Gregory J. Foster, Chicago, IL (US)
- (73) Assignee: **Medline Industries, Inc.**, Northfield, IL (US)
- (**) Term: **15 Years**
- (21) Appl. No.: **29/765,152**
- (22) Filed: **Jan. 6, 2021**

- 5,320,263 A 6/1994 Kobylack
 - 5,433,361 A 7/1995 O'Malley
 - 5,628,486 A 5/1997 Rossman
 - 5,745,565 A 4/1998 Wakefield
 - 5,810,228 A 9/1998 Brokering
 - D415,095 S * 10/1999 Goldsmith D12/317
 - 5,996,957 A 12/1999 Kurtz
 - 6,390,427 B1 5/2002 McConnell
 - 6,971,564 B2 12/2005 Yang
- (Continued)

FOREIGN PATENT DOCUMENTS

- DE 102011119709 6/2013
- FR 2781552 1/2000

Primary Examiner — Charles D Hanson
(74) *Attorney, Agent, or Firm* — Fitch, Even, Tabin & Flannery LLP

(57) **CLAIM**

The ornamental design for a dual receptacle carrier, as shown and described.

DESCRIPTION

FIG. 1 is a front perspective view of an embodiment of a dual receptacle carrier showing our new design;
 FIG. 2 is a top plan view thereof;
 FIG. 3 is a front elevation view thereof;
 FIG. 4 is a right side elevation view thereof;
 FIG. 5 is a rear elevation view thereof;
 FIG. 6 is a left side elevation view thereof;
 FIG. 7 is a bottom plan view thereof;
 FIG. 8 is a perspective view thereof showing the dual receptacle carrier in use; and,
 FIG. 9 is a further perspective view thereof showing the dual receptacle carrier in use.

The cell phone of FIG. 8, bottle of FIG. 9, and walker of FIGS. 8 and 9 shown in broken lines illustrate the environment in which the design may be used and form no part of the claimed design.

Related U.S. Application Data

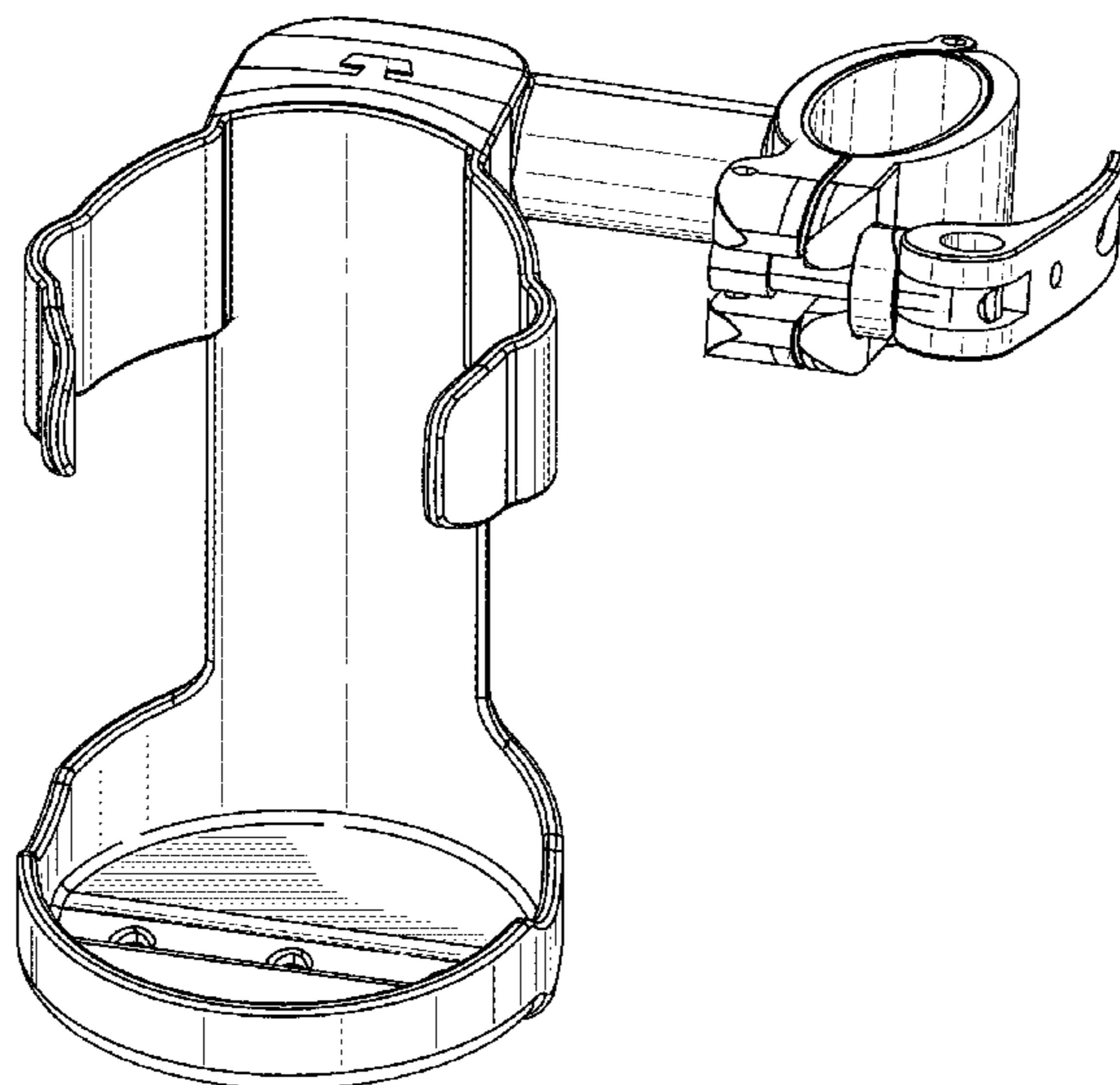
- (62) Division of application No. 29/709,455, filed on Oct. 15, 2019, which is a division of application No. 29/612,028, filed on Jul. 27, 2017, now Pat. No. Des. 877,664.
 - (51) **LOC (13) Cl.** **12-12**
 - (52) **U.S. Cl.**
USPC **D12/133**
 - (58) **Field of Classification Search**
USPC D12/128-133; D7/620
CPC .. A61H 3/00; A47G 23/02; B62B 9/00; B62B 7/06
- See application file for complete search history.

(56) **References Cited**

U.S. PATENT DOCUMENTS

- 3,734,439 A 5/1973 Wintz
- 4,535,923 A 8/1985 Manke

1 Claim, 7 Drawing Sheets



(56)

References Cited

U.S. PATENT DOCUMENTS

| | | | | |
|--------------|------|---------|----------------|-----------------------|
| D516,393 | S | 3/2006 | Wickenhauser | |
| D516,874 | S * | 3/2006 | Haney | D7/620 |
| 7,017,243 | B2 | 3/2006 | Carnevali | |
| 7,077,302 | B2 | 7/2006 | Chuang | |
| 7,090,183 | B2 | 8/2006 | Heybl | |
| D673,816 | S * | 1/2013 | Phillips | D7/620 |
| D679,146 | S | 4/2013 | Rincon | |
| 8,500,076 | B2 | 8/2013 | Lai | |
| 8,651,350 | B2 | 2/2014 | Onogi | |
| 8,894,030 | B2 | 11/2014 | Nixon | |
| 8,919,622 | B1 | 12/2014 | Gabriel | |
| D755,575 | S * | 5/2016 | Pratt | D7/620 |
| 9,399,479 | B1 | 7/2016 | Chen | |
| D771,525 | S * | 11/2016 | Kim | D12/133 |
| 9,944,209 | B1 | 4/2018 | Carnevali | |
| 9,950,731 | B2 * | 4/2018 | Kim | F16B 2/12 |
| D835,942 | S * | 12/2018 | Koller | D7/552.1 |
| D877,664 | S * | 3/2020 | Brockway | D12/133 |
| 10,588,812 | B2 * | 3/2020 | Brockway | A61H 1/00 |
| 2014/0284443 | A1 * | 9/2014 | Forbes | B62B 9/12 248/313 |
| 2015/0001359 | A1 | 1/2015 | Catchings | |
| 2015/0375766 | A1 * | 12/2015 | Taylor | B62B 7/142 280/647 |
| 2018/0099713 | A1 | 4/2018 | Oste | |
| 2019/0029913 | A1 | 1/2019 | Brockway | |
| 2020/0170875 | A1 | 6/2020 | Brockway | |

* cited by examiner

FIG. 1

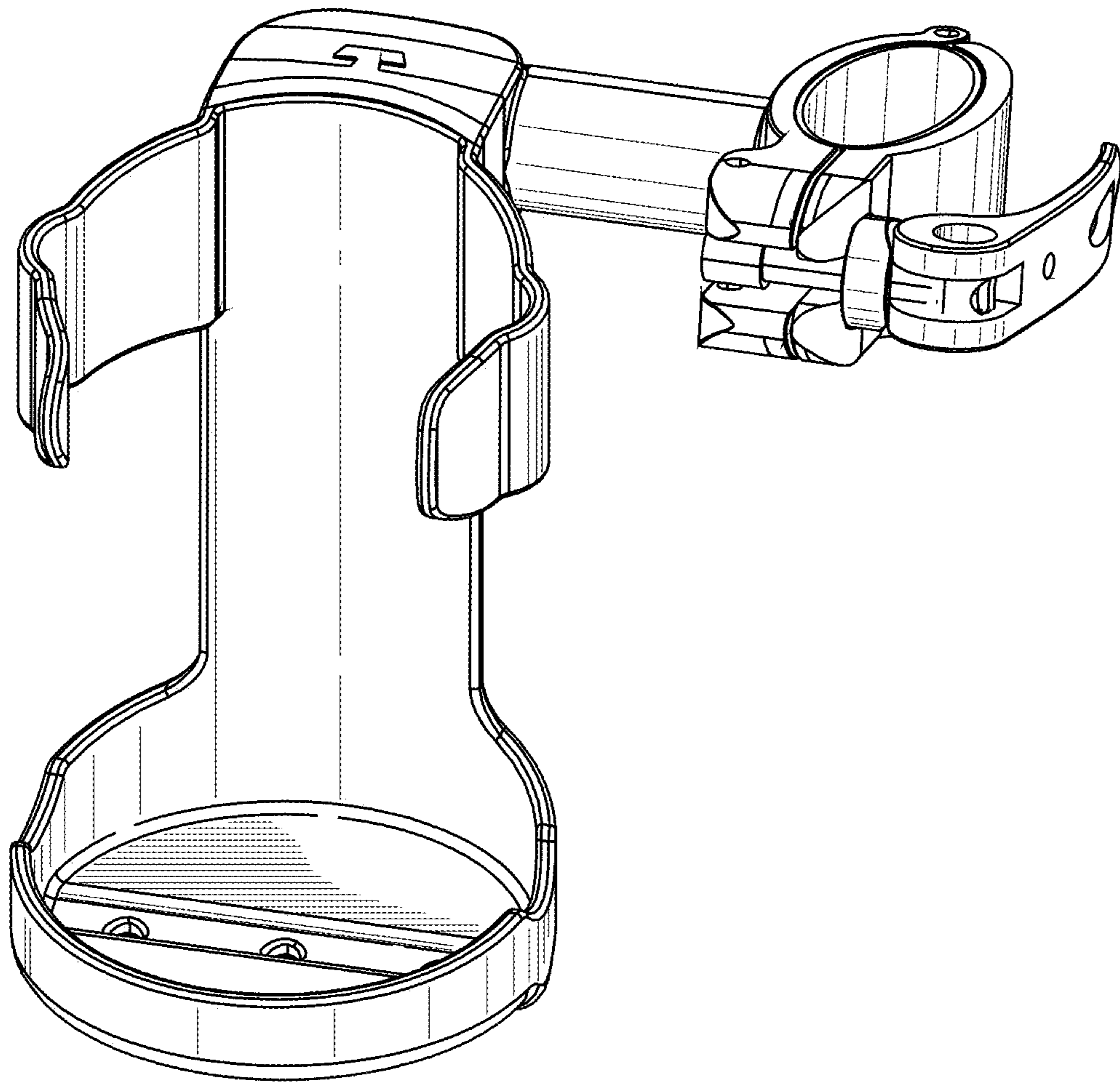


FIG. 2

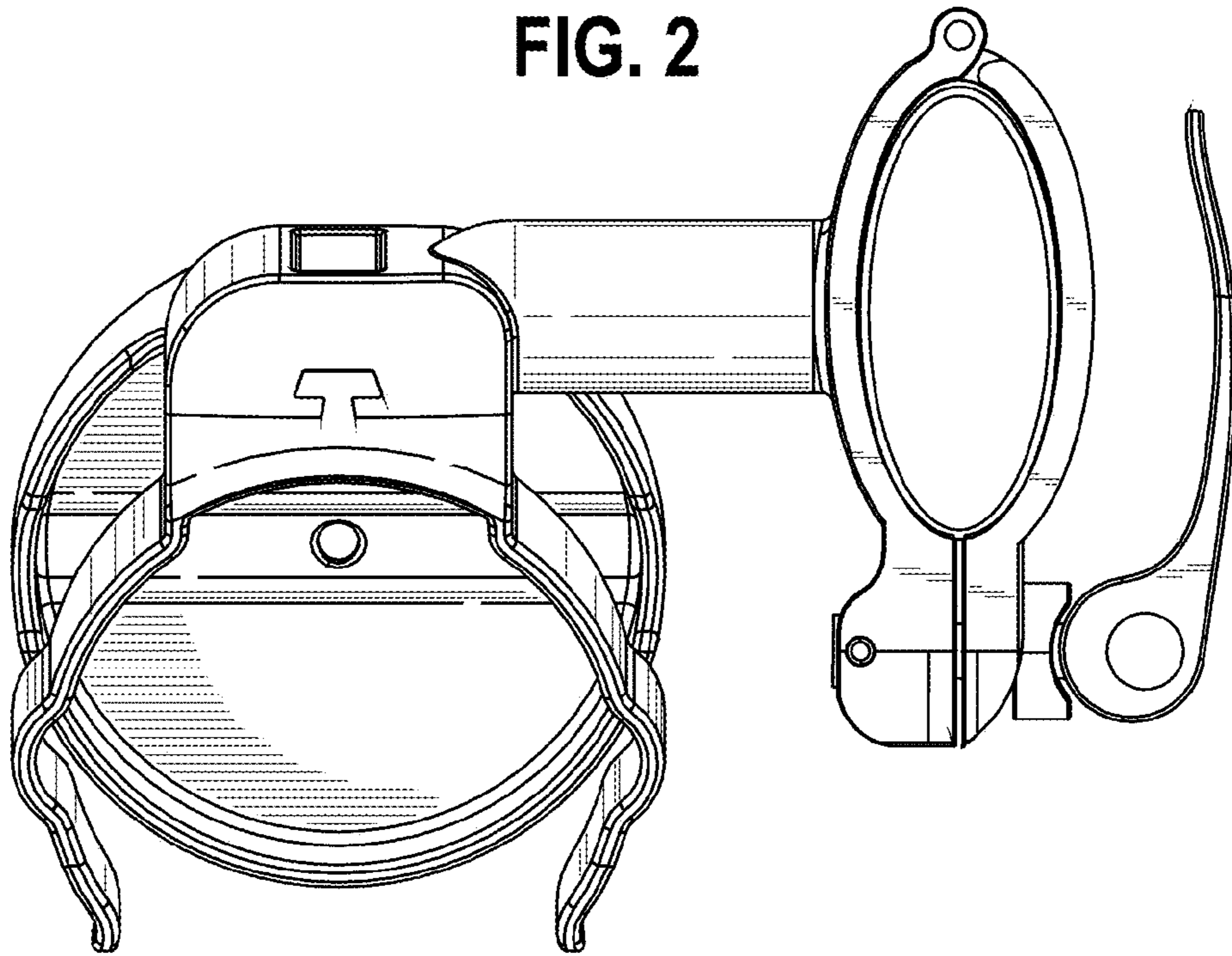


FIG. 3

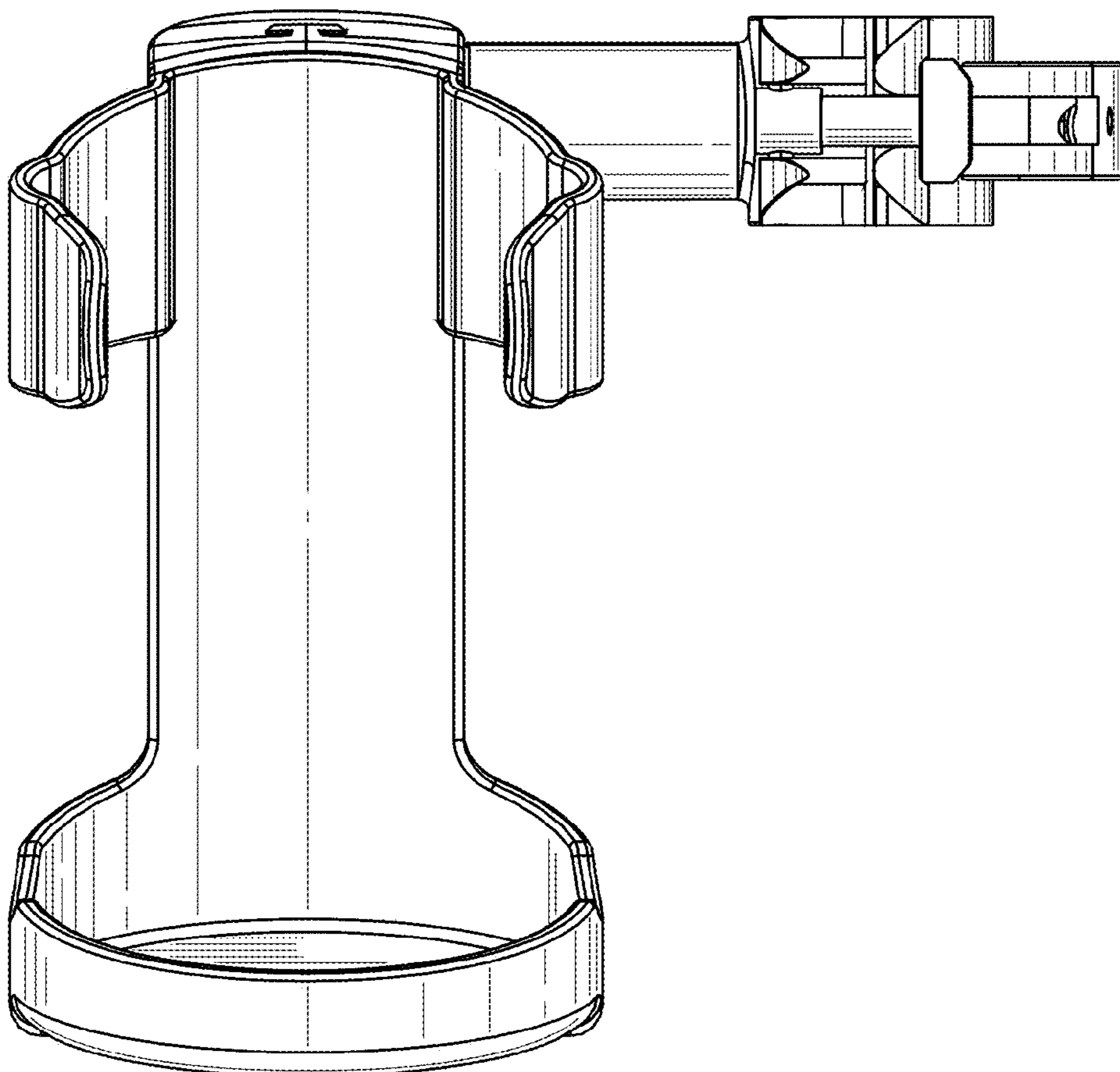


FIG. 4

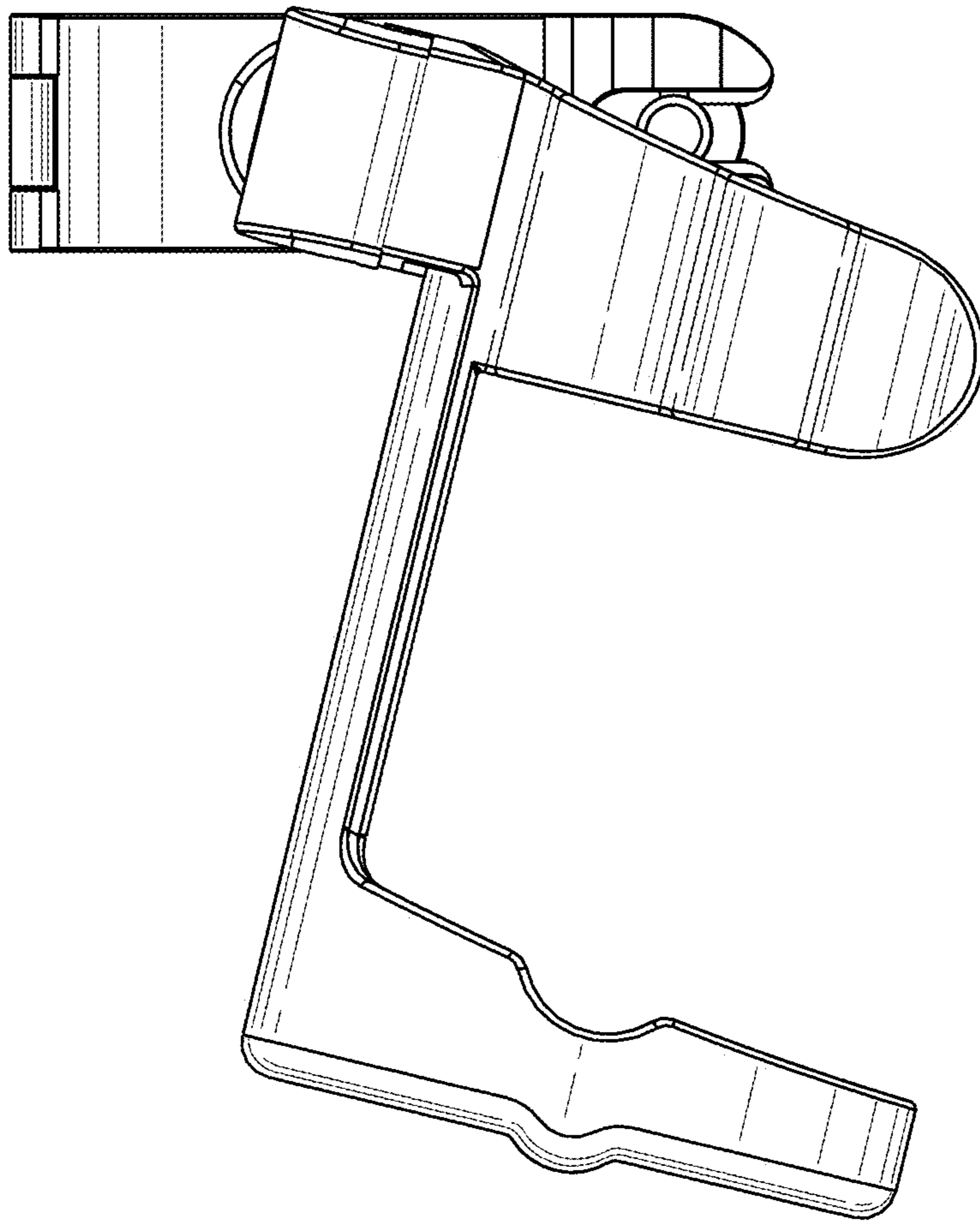


FIG. 5

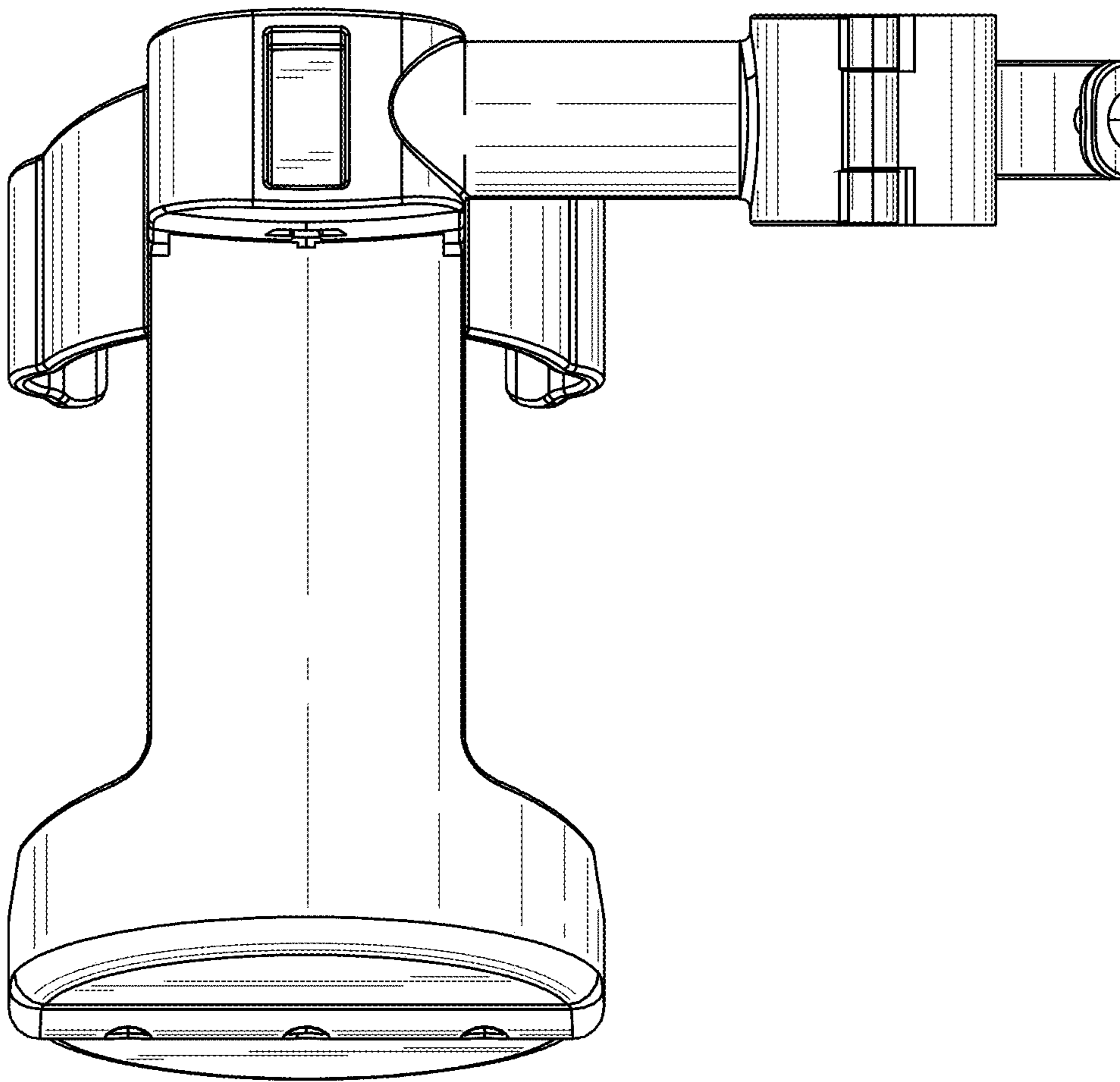


FIG. 6

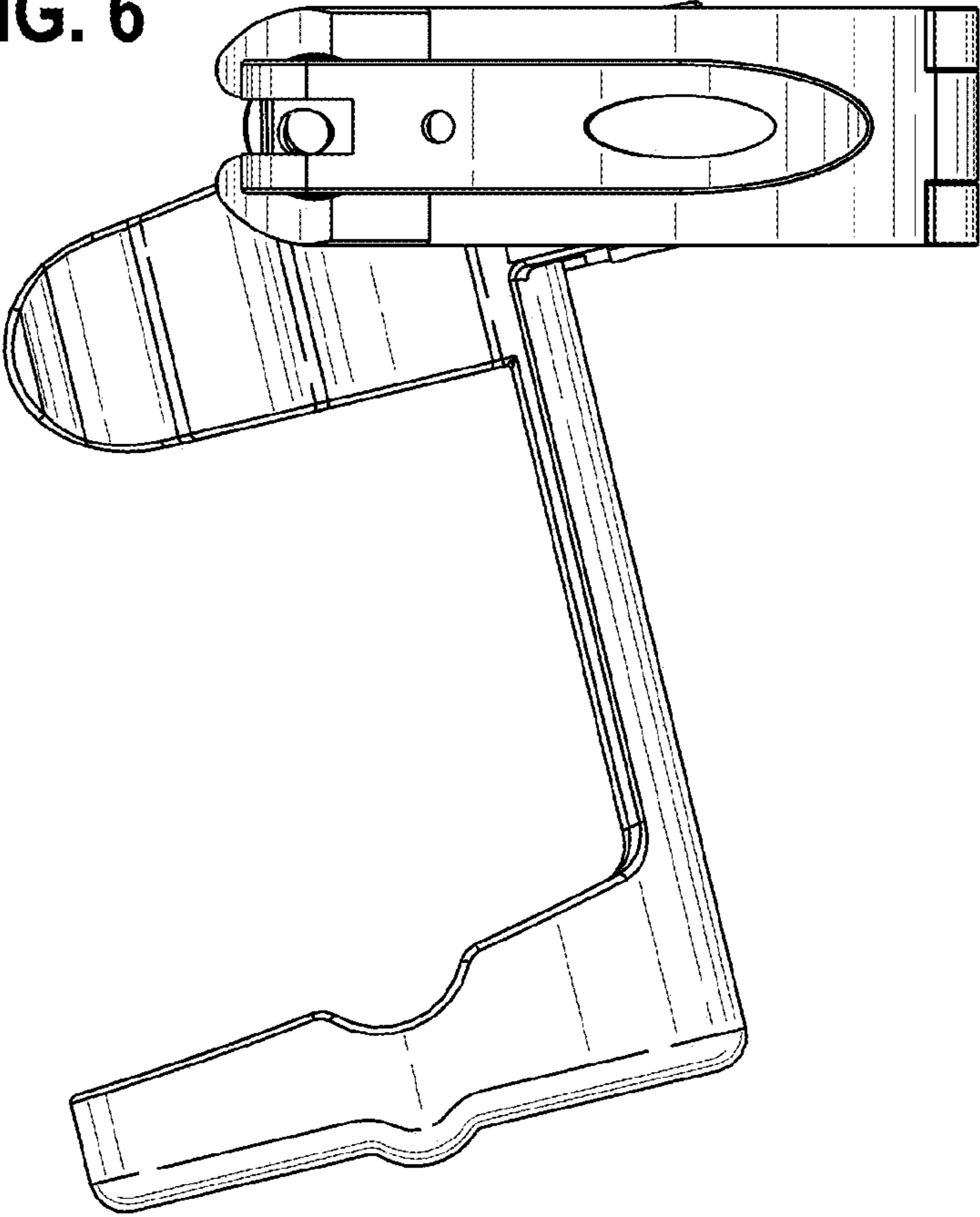


FIG. 7

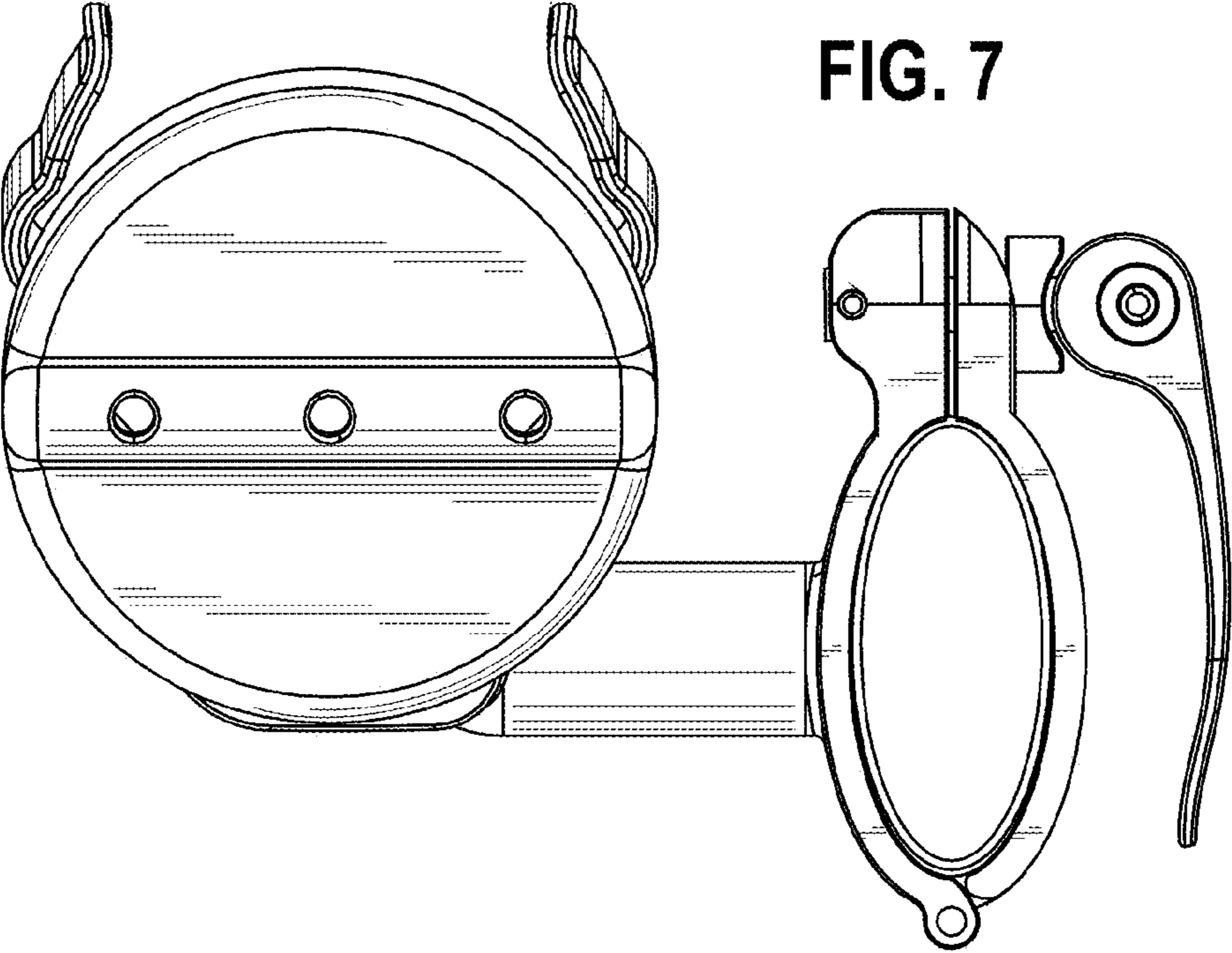


FIG. 8

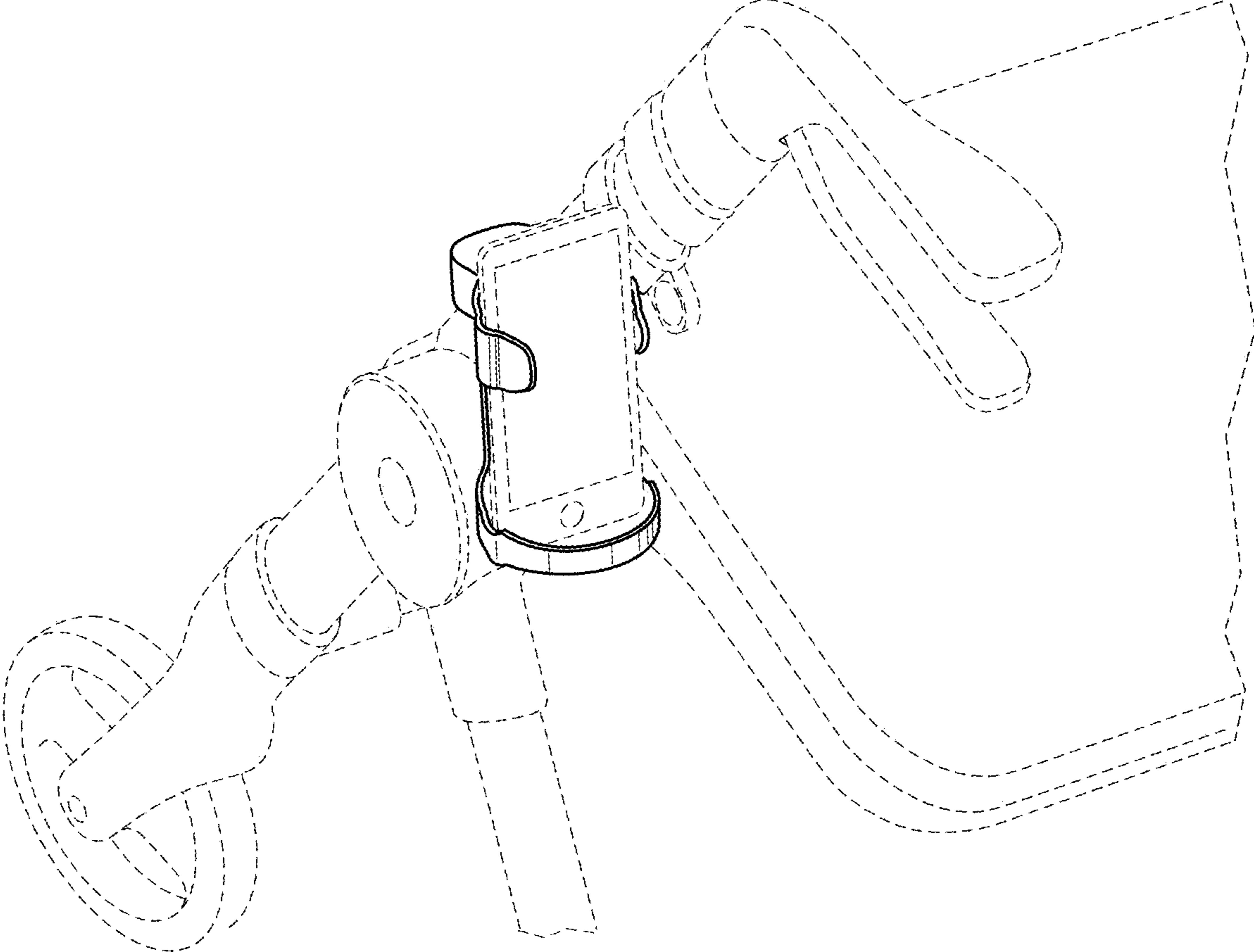


FIG. 9

