



US00D922254S

(12) **United States Design Patent**  
**Tan**

(10) **Patent No.:** **US D922,254 S**  
(45) **Date of Patent:** **\*\* Jun. 15, 2021**

- (54) **BICYCLE FRAME**
- (71) Applicant: **Lye Wee Tan**, Singapore (SG)
- (72) Inventor: **Lye Wee Tan**, Singapore (SG)
- (\*\*) Term: **15 Years**
- (21) Appl. No.: **29/705,211**
- (22) Filed: **Sep. 10, 2019**
- (51) **LOC (13) Cl.** ..... **12-11**
- (52) **U.S. Cl.**  
USPC ..... **D12/111**
- (58) **Field of Classification Search**  
USPC ..... D12/111, 117; D21/412, 414, 419,  
D21/423-428, 431-435  
CPC ..... B62K 3/00; B62K 3/02; B62K 3/06  
See application file for complete search history.

(56) **References Cited**

**U.S. PATENT DOCUMENTS**

D30,820 S *	5/1899	Schaum	.....	D12/111
979,674 A *	12/1910	Kittle et al.	.....	B62K 25/16
				280/277
D213,606 S *	3/1969	Gordon et al.	.....	D12/111
D213,753 S *	4/1969	Schreckengost	.....	D12/111
D216,415 S *	12/1969	Proffer	.....	D12/110
D217,843 S *	6/1970	Barris	.....	B62K 15/006
				D12/111
D223,528 S *	4/1972	Steller	.....	D12/111
D230,144 S *	1/1974	Voytko	.....	D12/111
D244,266 S *	5/1977	Cognata	.....	D12/111
4,422,663 A *	12/1983	Hon	.....	B62K 15/006
				280/278
D492,917 S *	7/2004	Pedersen	.....	D12/110
6,793,031 B1 *	9/2004	Greene	.....	B62K 19/30
				180/225
D498,179 S *	11/2004	James	.....	D12/110
D512,345 S *	12/2005	Beich	.....	D12/110
D517,451 S *	3/2006	Alsop	.....	D12/110
D586,702 S *	2/2009	Morris	.....	D12/111

7,546,894 B1 *	6/2009	Glenn	.....	B62K 19/32
				180/227
D601,926 S *	10/2009	Kingsbury	.....	D12/110
D633,828 S *	3/2011	Portnoff	.....	B62K 19/32
				D12/111
D653,590 S *	2/2012	Patterson	.....	D12/110
D824,290 S *	7/2018	Sukkar	.....	D12/110
D858,358 S *	9/2019	Hutto	.....	D12/110
D885,985 S *	6/2020	Tan	.....	D12/111

(Continued)

**OTHER PUBLICATIONS**

Bach lcd. "Buzzraw X Series Electric Bikes by Coast Cycles." iCreatived., Jan. 29, 2019 [online], [retrieved on Feb. 18, 2021]. Retrieved from the Internet <URL: <https://icreatived.com/2019/01/buzzraw-x-series-electric-bikes.html/>>.\*

(Continued)

*Primary Examiner* — Darlington Ly  
(74) *Attorney, Agent, or Firm* — Muncy, Geissler, Olds & Lowe, P.C.

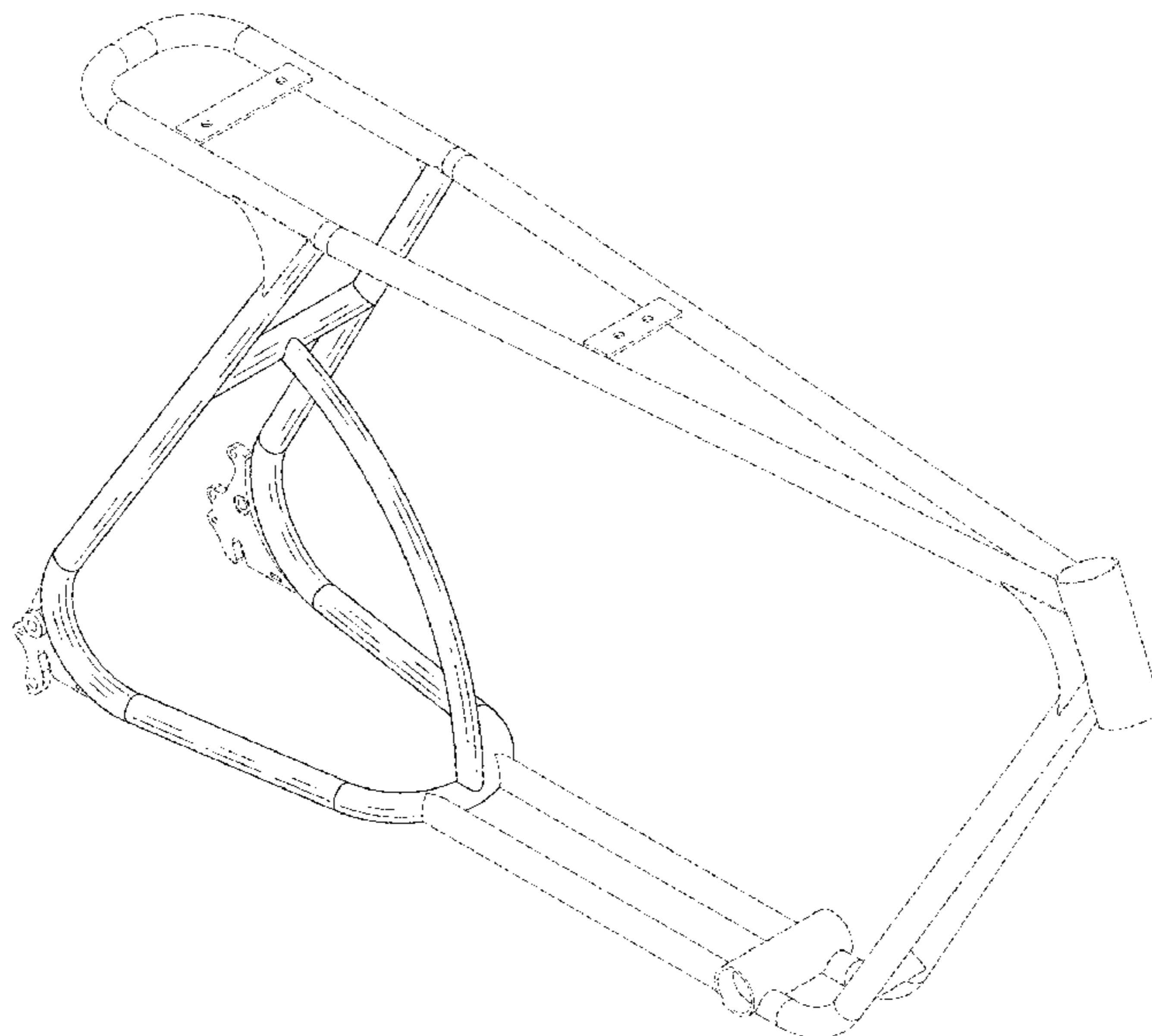
(57) **CLAIM**

I claim the ornamental design for a bicycle frame, as shown and described.

**DESCRIPTION**

FIG. 1 is a top, front, and right side perspective view of a bicycle frame embodying my new design; FIG. 2 is a right side elevation view thereof; FIG. 3 is a left side elevation view thereof; FIG. 4 is a rear elevation view thereof; FIG. 5 is a front elevation view thereof; FIG. 6 is a top plan view thereof; FIG. 7 is a bottom plan view thereof; and, FIG. 8 is a top, rear, and right side perspective view thereof. The broken lines in the drawings illustrate portions of the bicycle frame which form no part of the claimed design.

**1 Claim, 6 Drawing Sheets**



(56)

**References Cited**

U.S. PATENT DOCUMENTS

D901,336 S \* 11/2020 Kuehne ..... D12/111  
D910,496 S \* 2/2021 Zhu ..... D12/111  
2008/0073139 A1\* 3/2008 Conrad ..... B62K 25/283  
180/227

OTHER PUBLICATIONS

Micah Toll. "Buzzraw X full suspension electric minibikes unveiled by Coast Cycles." Electrek., Nov. 16, 2019 [online], [retrieved on Feb. 18, 2021]. Retrieved from the Internet <URL: <https://electrek.co/2018/11/16/buzzraw-x-suspension-electric-bicycle/>>.\*

Micah Toll. "Super73 unveils new 2,000W and 75-mile range full suspension e-bikes." Electrek., Jan. 25, 2020 [online], [retrieved on Feb. 18, 2021]. Retrieved from the Internet <URL: <https://electrek.co/2020/01/25/super73-r-series-new-2000w-electric-bicycles/>>.\*

\* cited by examiner

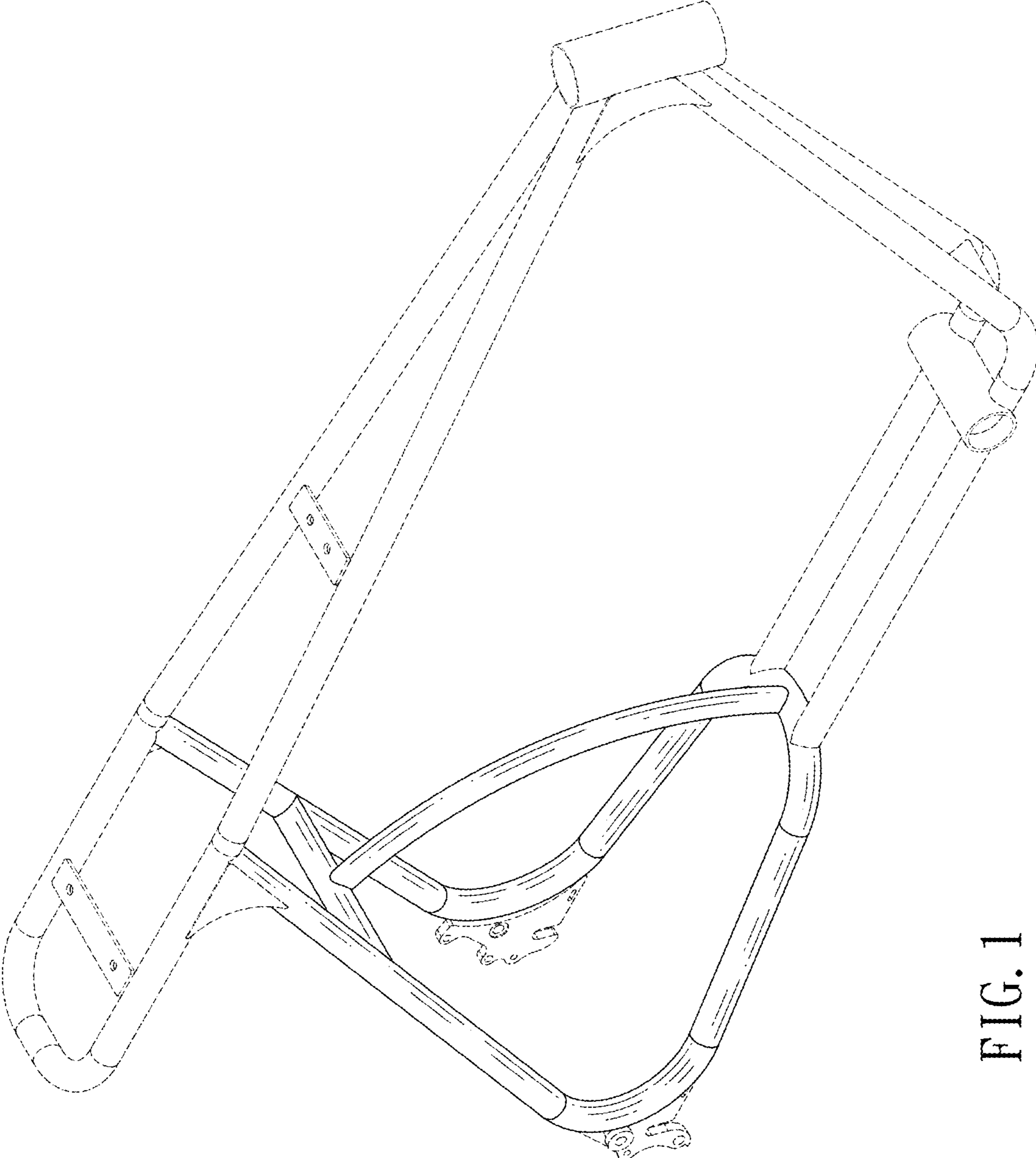


FIG. 1

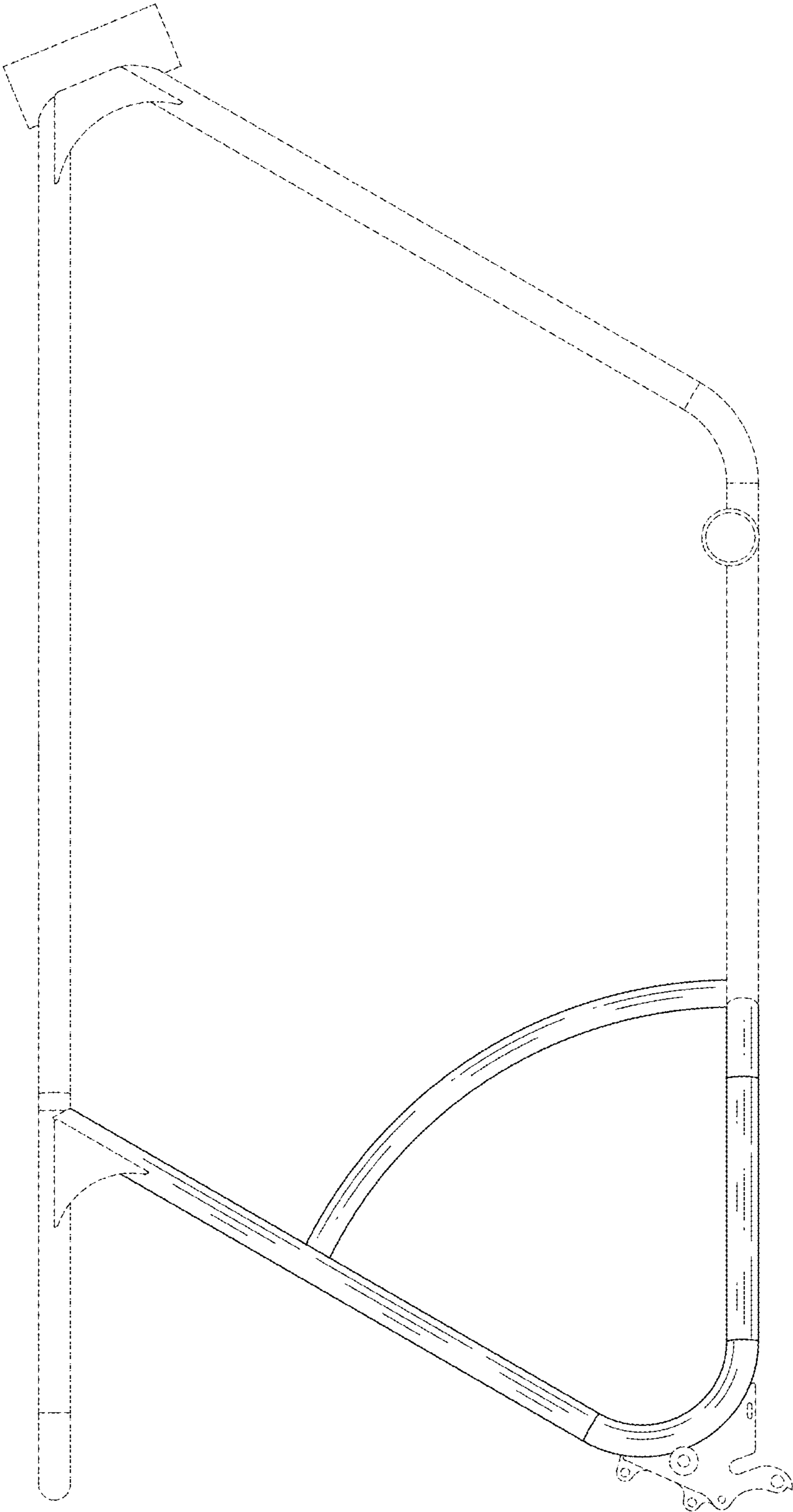


FIG. 2

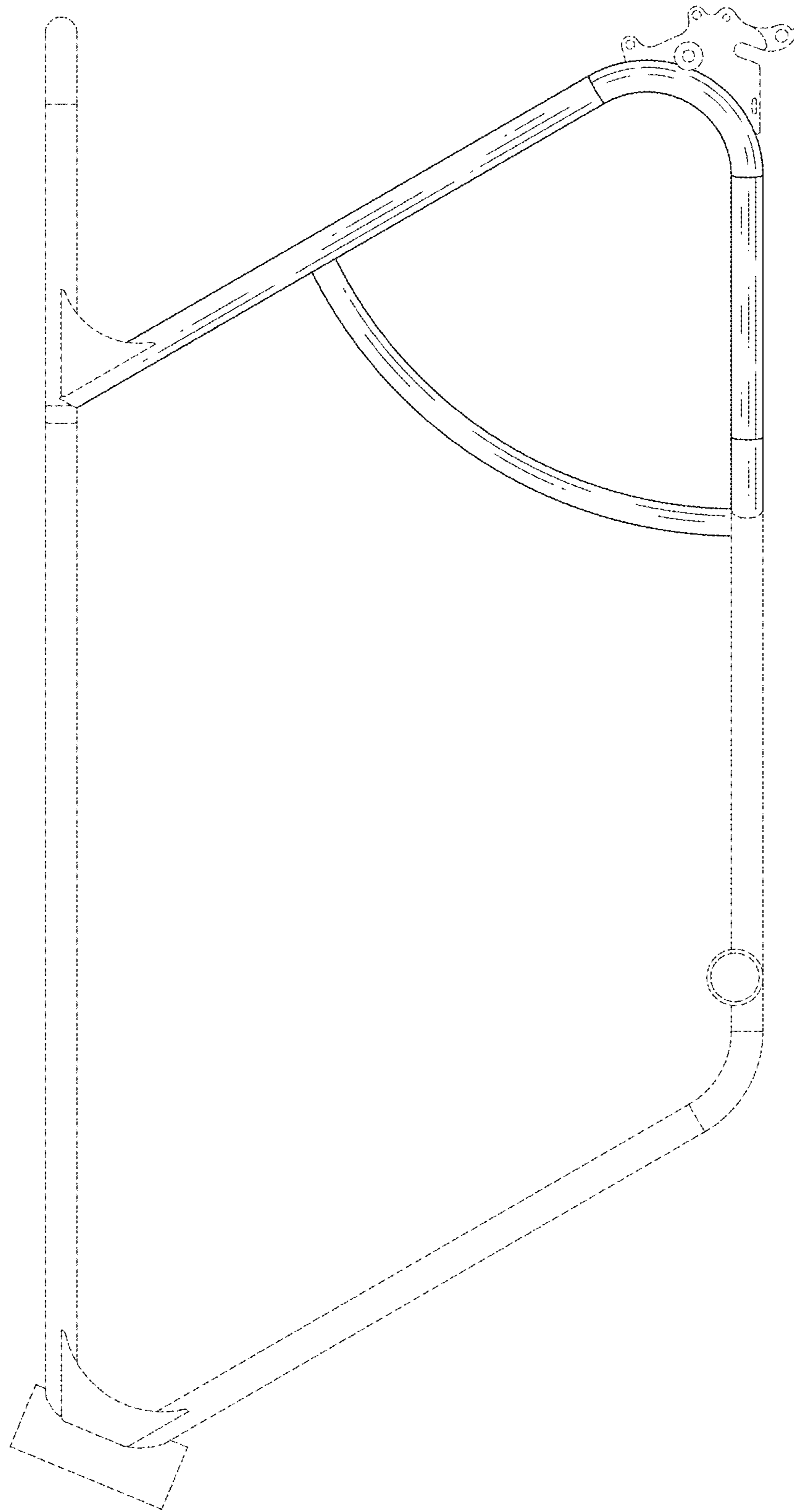


FIG. 3

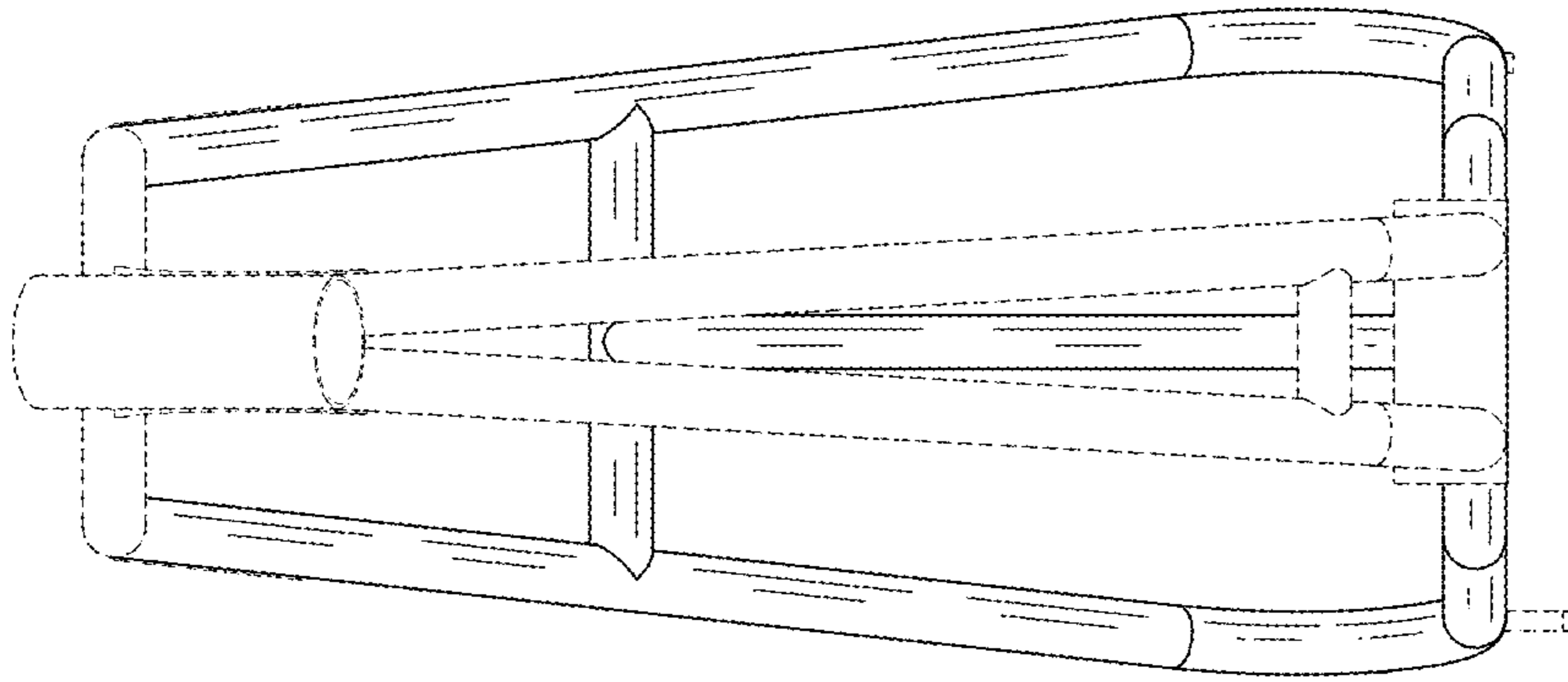


FIG. 5

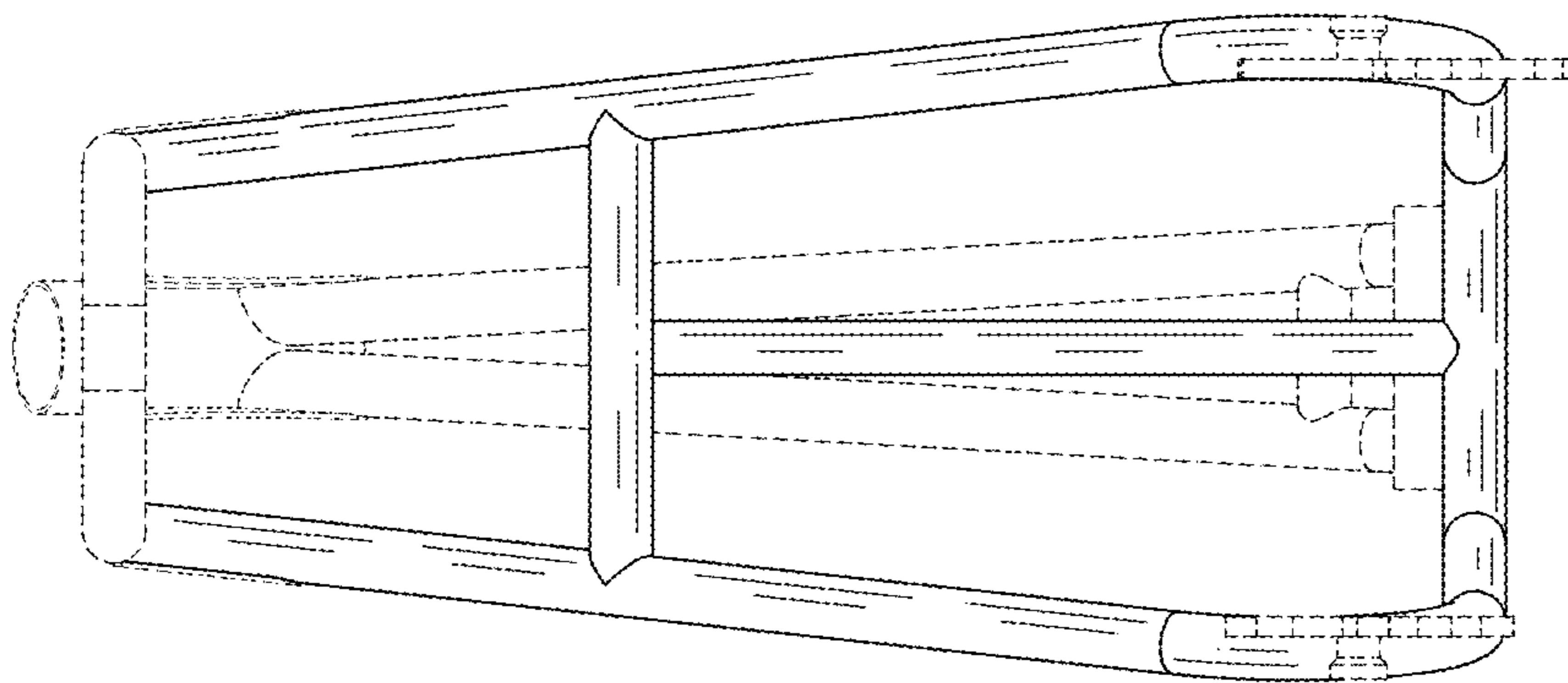


FIG. 4

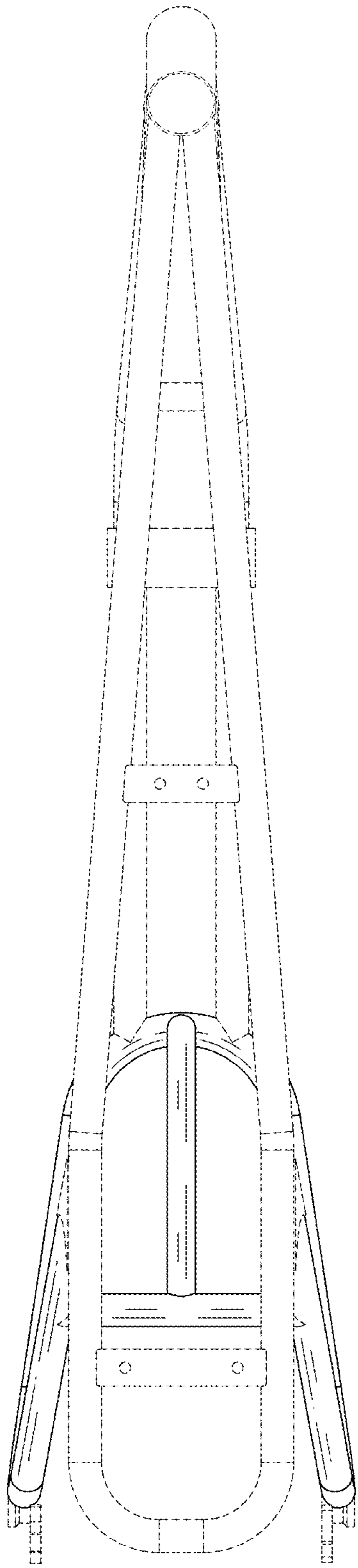


FIG. 6

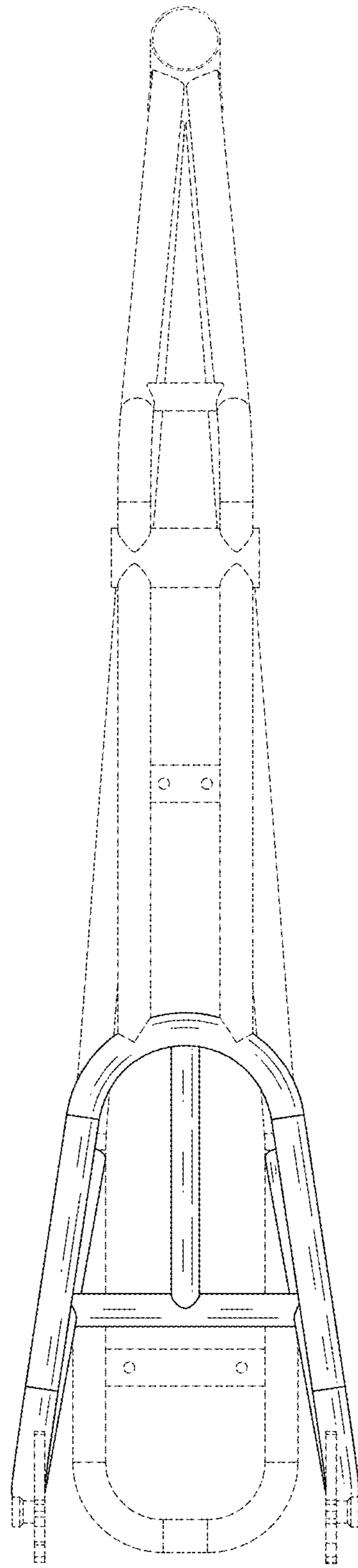


FIG. 7

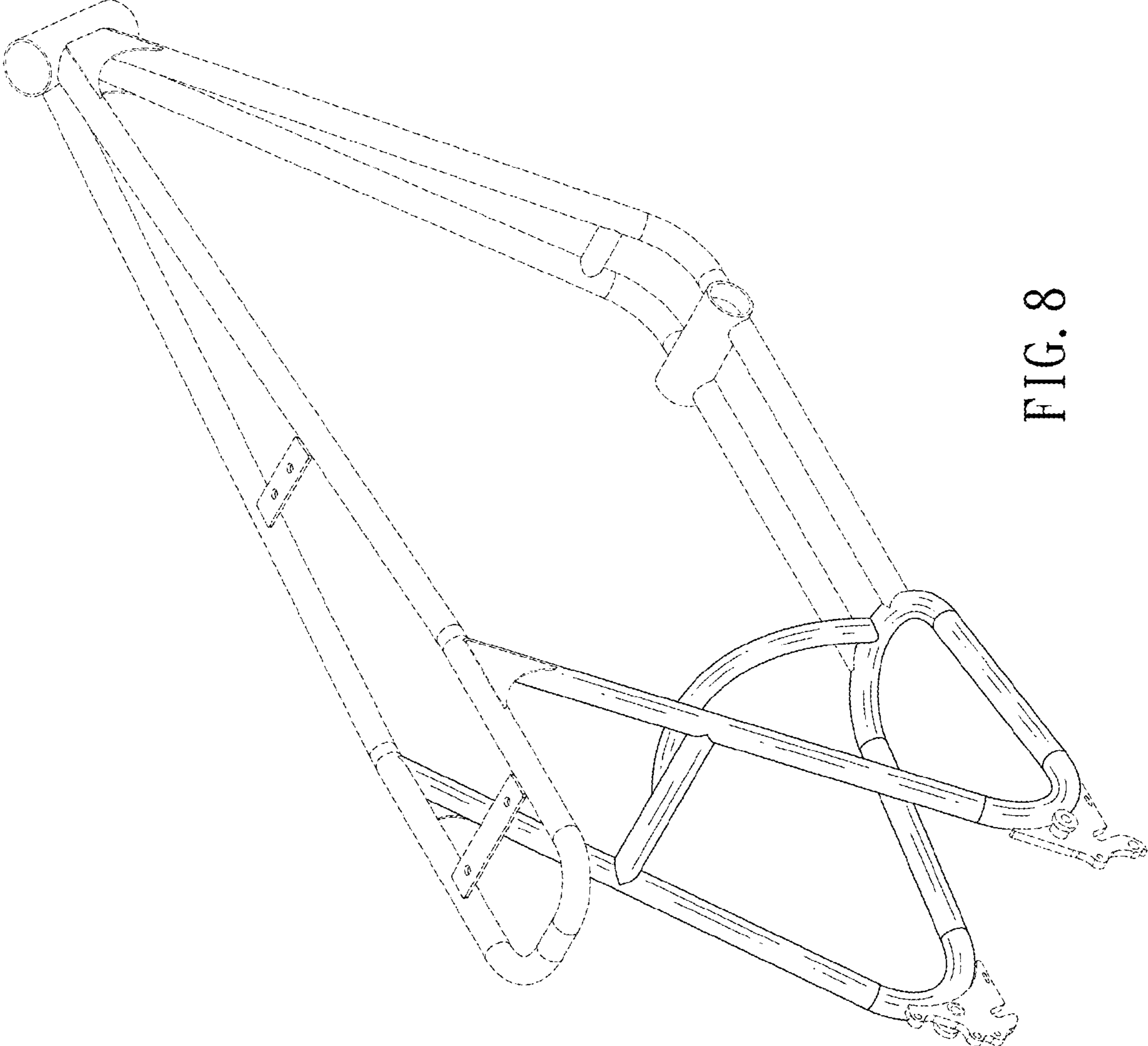


FIG. 8